

GMCMH Fuel Improvement Components

Support the GMCMH vendors. Most of these items can be purchased from them.

Fuel pumps;

Carter P4070 or Airtex E84070.

Filter base and filters;

Wix filter base, 24763. Filter for that base, Wix 33226.

Wix 3/8" in line strainer, 33170, use these before the pump.

www.wixfilters.com

AC-Delco GF-62 filter assembly; AC GF-157 element for the filter. Either use this before the pump or the Wix 33170.

Check valves;

McMaster-Carr, 7768K62. www.mcmaster.com

Electrical relays;

Tyco-Bosch SPST 75302; Tyco-Bosch SPDT 75312; These are available at this supply house, the numbers are the item number from Waytek.

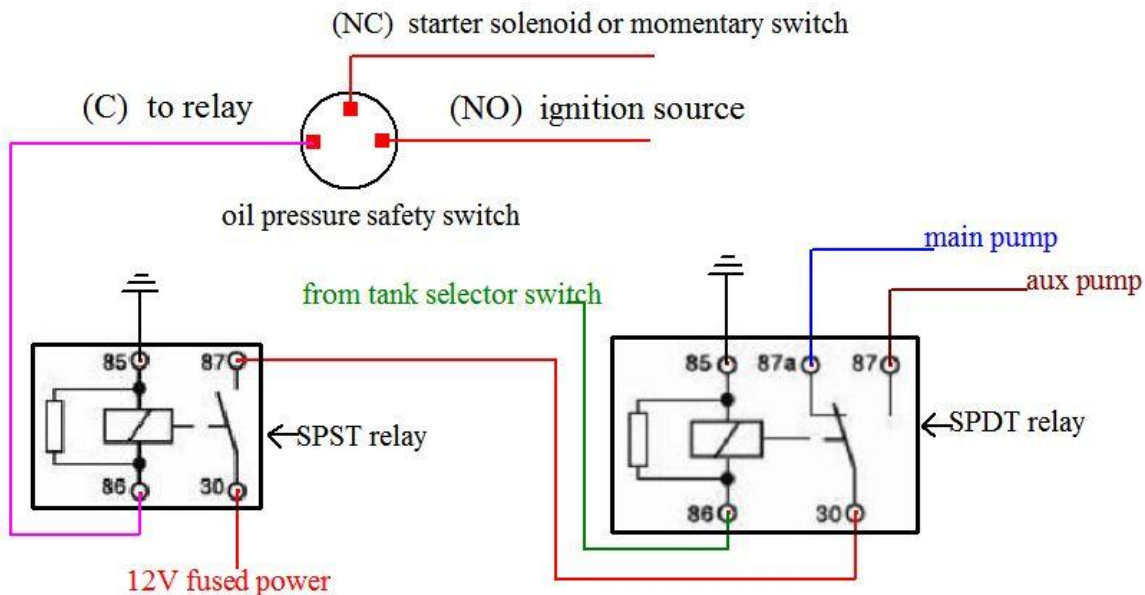
www.waytekwire.com/products

Pipe thread compound;

Gasola E-seal; Compatible for all the reformulated gasoline. www.gasoila.com

Wiring diagram;

This is for a carbureted engine. For use with a TBI system, terminal #86 on the SPST relay needs to get 12V power from the 12V power lead of the high pressure pump.



DISCLAIMER | Technical information is contributed by GMCMI members and is published as a service to GMCMI members. Accuracy is not guaranteed. Independent verification is urged.