

# DUO-THERM

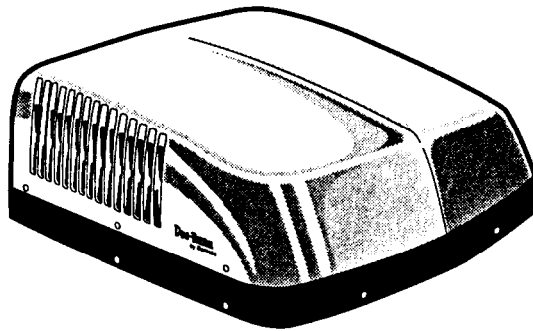
by Dometic

WHEN ORDERING SPARE PARTS, ALWAYS STATE:  
MODEL - QUANTITY - PART NUMBER - DESCRIPTION

## BRISKAIR

### Roof-Top Air Conditioner

PRE-WIRED FOR OPTIONAL HEAT PACKAGE



USA  
SERVICE OFFICE  
The Dometic Corp.  
509 So. Poplar St.  
LaGrange, IN 46761

CANADA  
Dometic Dist.  
866 Langs Dr.  
Cambridge, Ontario  
CANADA N3H 2N7

#### WARNING

This unit must be serviced by an authorized serviceman. Modification of the appliance can be extremely hazardous and could lead to serious injury or death.

#### AVIS

Cet appareil doit être réparé seulement par un réparateur autorisé. Modification de l'appareil pourrait être extrêmement dangereuse, et pourrait causer mal ou mort.

## PARTS LIST

### MODEL

### 57915.403

Product No. 991731302

# ALPHABETICAL INDEX

MODEL NO. 57915.403		
	Page	index #
Capillary tubes .....	5	7
Capacitor		
Run/Fan .....	6	9
Start .....	6	10
Coil		
Condenser .....	5	12
Evaporator .....	5	15
Compressor .....	5	13
Decal, shroud .....	5	4
Drier .....	5	18
Filter, air .....	6	3
Grill.....	6	2
Heater accessory kit .....	6	1-7
Motor .....	5	23
Overload .....	5	14
PTCR device.....	6	11
Shroud.....	5	5
Thermostat .....	6	7
Wheel Blower .....	5	34
Wiring Diagram .....	3	-

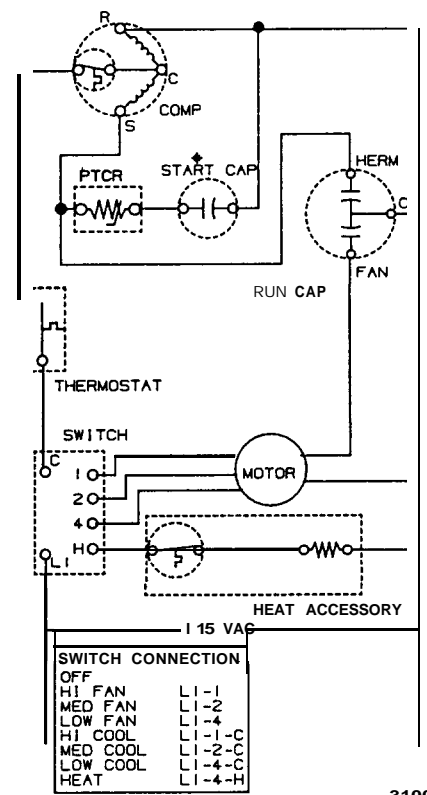
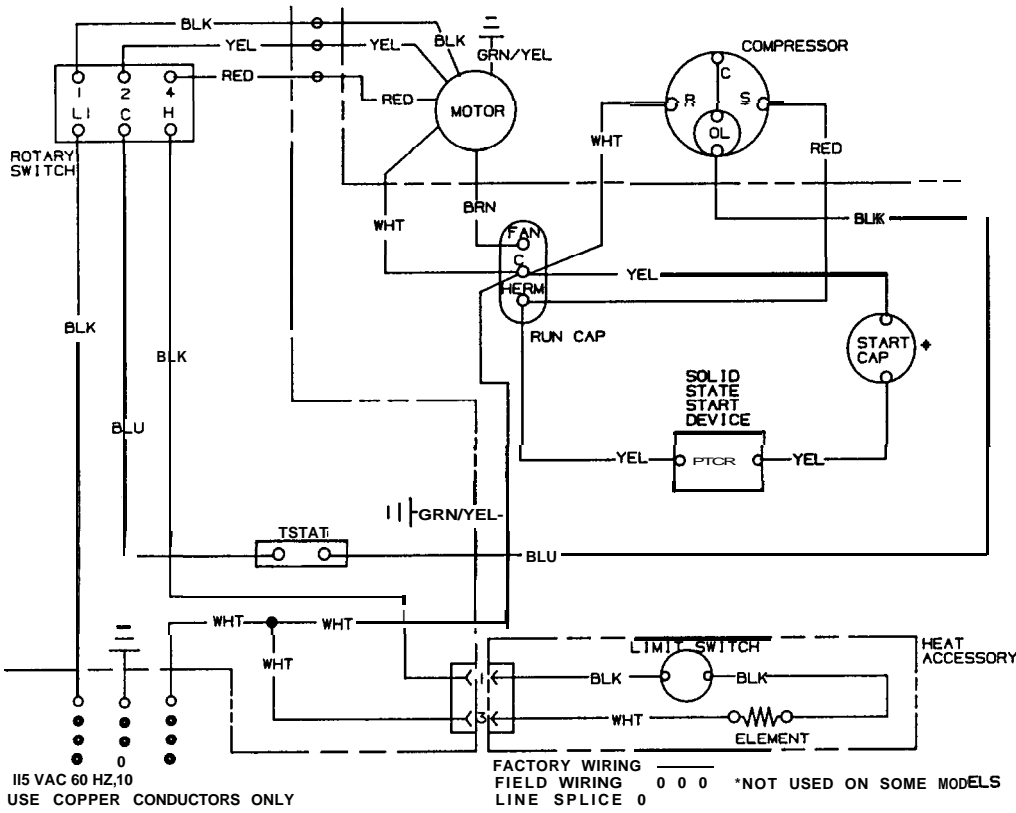
## SPECIFICATIONS

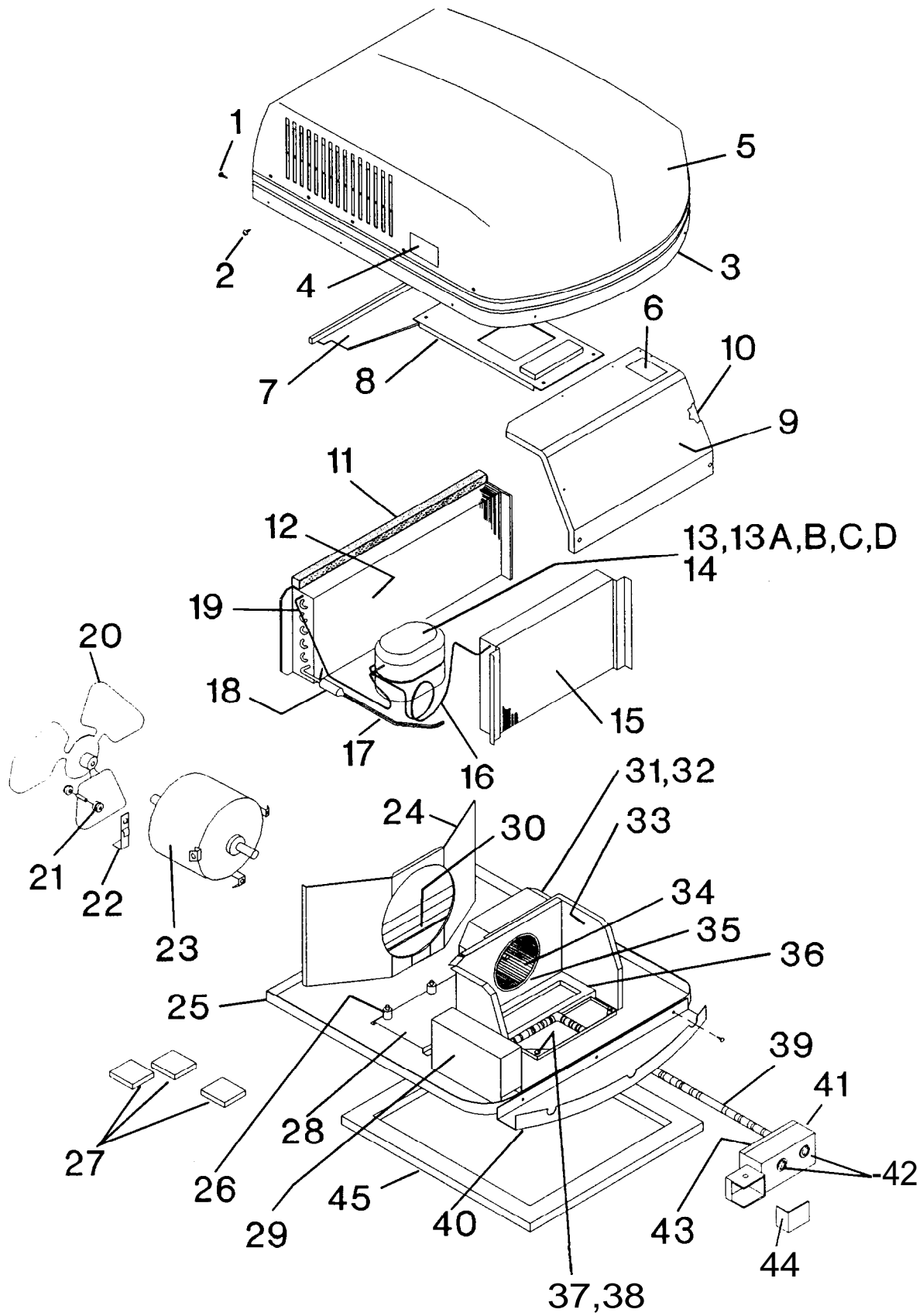
MODEL NO.	57915.483	
Nominal Capacity (BTU/HR)	13,500	
Electrical Rating	115 VAC, 60 Hz., 1 ph.	
Compressor Rated Load Amps	11.5	
Fan Motor Rated Load Amps	2.5	
Compressor Locked Rotor Amps	50.0	
Fan Motor Locked Rotor Amps	5.8	
Heater Amps/ Watts@ 120VAC	12.7/1530	
Input Kilowatts, Cooling (kw)	1.6	
Input Kilowatts, Heating	1.6	
Refrigerant (R22) Oz.	13.5	
Minimum Wire Size ***	12 AWG Copper Up to 24 ft.	
Circuit Protection	20 Amp Time Delay Fuse or HACR Circuit Breaker	
Installed Weight (Pounds)	100	
Roof Thickness, Min./Max. •	1" TO 6"	
Minimum Generator	1 Unit	3.5 KW
Size **	2 Units	5.0 KW

\*\*\* For distances over 24 ft. consult the National Electrical Code.  
 \*\* The Dometic Corporation gives GENERAL guidelines for generator requirements. These guidelines come from experiences people have had in actual applications. When sizing the generator, the total power usage of your recreational vehicle must be considered. Also keep in mind generators lose power at high altitudes and from lack of maintenance.

\* The standard mounting bolts supplied are designed for roofs 1.0" to 4.0" thick. For roofs 4.0" to 6.0", order Bolt Kit 3100895.006 and Duct Kit 313606.000 **DO NOT** use bolts longer than necessary or the air conditioner may be damaged.

WIRING DIAGRAM

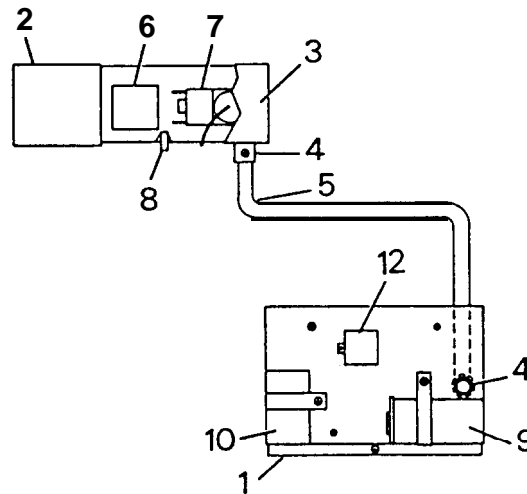




Index #	Description	Part No.
1	Screw, shoulder (2 req.)	3102834.003
2	Screw, shroud (12 req.)	313685.001
3	Extension, shroud - N/A, See Shroud	-----
4	Decal, shroud	3101380.008
5	Shroud, w/extension, less decal	3103144.006
6	Decal, field wiring	3100916.018
7	Cover, condenser	309383.000
8	Bulkhead brace	3100357.023
9	Insulation, evap. cover	317797.001
10	Cover, evap coil	314885.001
11	Tape, foam 28"	(not used)
12	Coil, condenser	<b>3103014. 001</b>
13	Compressor w/overload	<b>3102863. 002</b>
13A	Spring, overload	<b>3102803. 008</b>
13B	Gasket, cover	<b>3102805. 003</b>
13C	Cover, terminal	<b>3102806. 001</b>
13D	Strap, bail	<b>3102804. 006</b>
14	Overload	<b>3100250. 244</b>
15	Coil, evaporator	<b>3100818. 008</b>
16	Line, suction	<b>3104105. 006</b>
17	Capillary tubes (2 req.)	<b>3100245. 343</b>
18	Drier	<b>3100862. 006</b>
19	Line, discharge	<b>3104106. 004</b>
20	Fan blade	<b>317937. 000</b>
21	Grommet (4 req.)	<b>3100230. 022</b>
22	Support, motor	<b>317795. 002</b>
23	Motor	<b>3103644. 005</b>
24	Bulkhead, condenser	<b>317923. 001</b>
25	Base pan	<b>3100832. 041</b>
26	Grommets, compressor (3 req.)	<b>3102324. 005</b>
27	Foam block (4 req.)	<b>3100587. 009</b>
28	Plate, compressor mtg.	<b>3103730. 002</b>
29	Cover, elec box, upper	<b>3100828. 007</b>
30	Support, condenser coil	(not used)
31	Housing, blower	<b>3101145. 005</b>
32	Insulation (3pc set)	<b>3100833. 007</b>
33	Bulkhead evaporator	<b>3100831. 001</b>
34	Wheel, blower	<b>317958. 000</b>
35	Ring, blower inlet	<b>309304. 000</b>
36	Drain pan	<b>318008. 001</b>
37	Bracket, mtg. (3 req.)	<b>3100633. 001</b>
38	Nut with clip (3 req.)	<b>3100280. 019</b>
39	Conduit	<b>3100838. 006</b>
40	Channel, front	<b>3102811. 001</b>
41	Electrical box	<b>3101610. 008</b>
42	Knob (2 req.)	<b>3100364. 011</b>
43	Cover, elec box	<b>308146. 000</b>
44	Cover, junction box	<b>313650. 000</b>
45	Gasket, 14" x 14"	<b>3100247. 000</b>

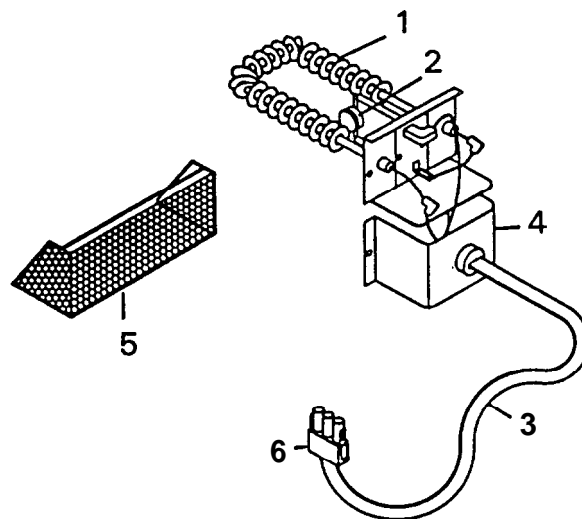
**■ ELECTRICAL BOX ASSEMBLY**

Index #	Description	Part #
1	Box, electric	3100827.009
2	Box, control	3101610.008
3	Cover, control box	308146.000
4	Conduit, connector	3100837.008
5	Flex conduit	3100838.006
6	Switch, selector	20250.000
7	Thermostat	3100781.008
8	Plug	314471.000
9	Capacitor, run/fan	3100248.339
10	Capacitor, start	3100236.219
11	Relay, start/PTCR device	3100876.006
12	Bracket, mtg., PTCR device	3100877.004



**■ HEATER ACCESSORY KIT 3101121 .014**

Index #	Description	Part #
1	Heat element	3101124.000
2	Limit switch	3101123.002
3	Sleeving	3100394.083
4	Electric box	3101125.007
5	Guard, heat	3101143.000
6	Plug	314470.000



**■ AIR BOX COMPONENTS**

Index #	Description	Part #
1-12	Parts package, complete	316699.012
1	Ceiling template	315427.001
2-9	Air box, less decals	316810.000
2	Grill, return air	308047.000
3	Filter, return air	308166.000
4	Louver assembly, 2 req.	310138.000
5	Cover plate	316659.000
6	Stud, latch	311673.001
7	Spring, latch stud	311674.000
8	Retainer, stud	311675.000
9	Receptacle, latch	311672.000
10	Decal, air box	3101398.000
11	Duct adapter	316450.001
12	Bolt kit Std. - not shown	3101148.009
	Bolt kit 6"-9" roof	3101538.001

