



Delco Carburetor

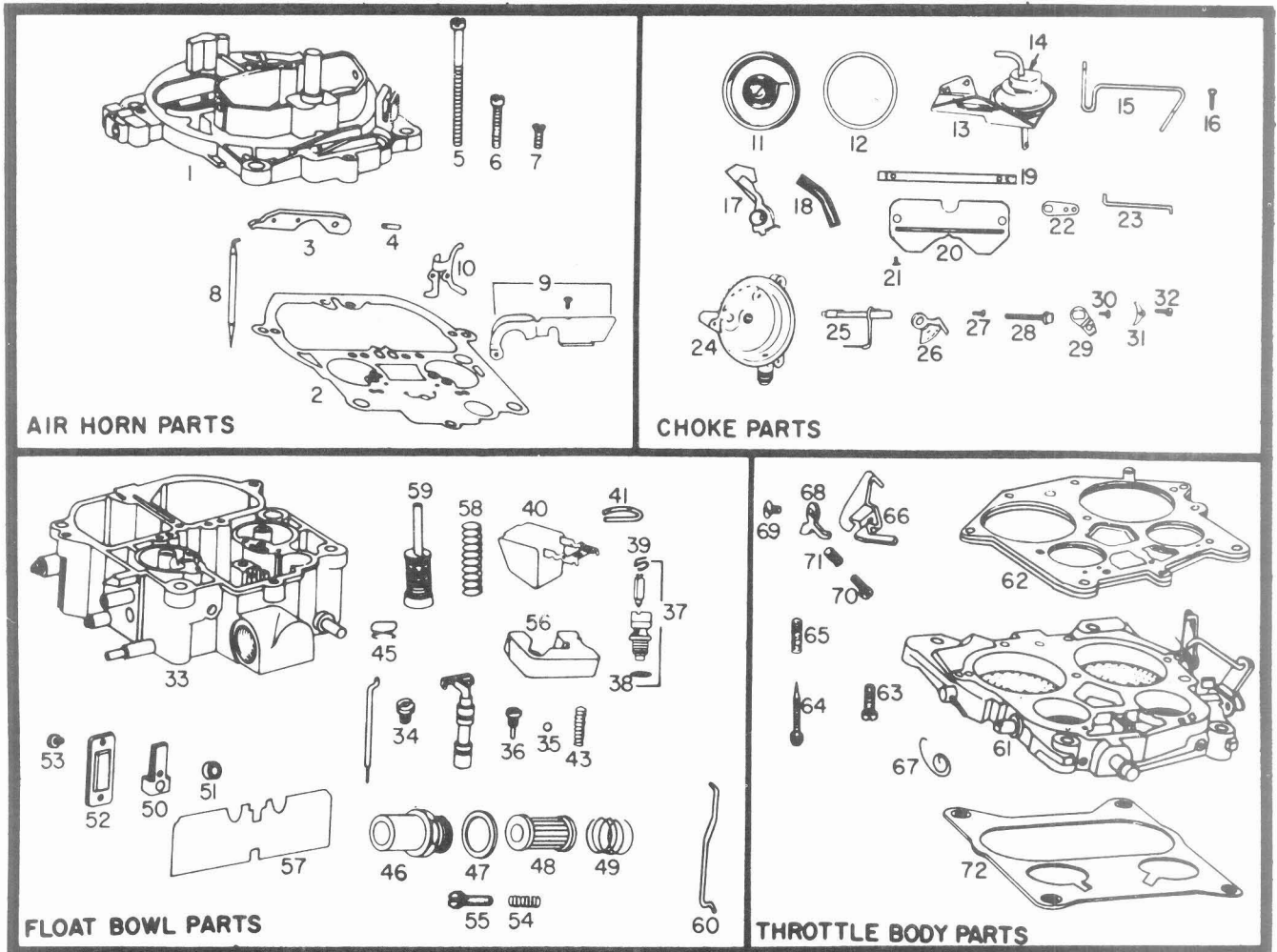
MODEL 4MC QUADRAJET

1973-76 GMC MOTOR HOME

455 CUBIC INCH OLDS ENGINE

BULLETIN: 9C-4000
 DATE: NOVEMBER, 1975
 PAGE: 1
 REPLACES 9C-4000
 DATED JANUARY 1975

PARTS SHOWN ARE FOR IDENTIFICATION ONLY. CONSULT PARTS LIST FOR CORRECT PART NAME AND NUMBER



AIR HORN PARTS

CHOKE PARTS

FLOAT BOWL PARTS

THROTTLE BODY PARTS

PARTS IN ALL COLUMNS SAME — EXCEPT WHERE INDICATED

| Illus. No. | 1975-76 | | | APPLICATION |
|----------------|----------------|----------------|----------------|-------------------------------------|
| | 1973-74 | FED | CALIF. | |
| | 7043254 | 7045254 | 7045554 | CARBURETOR No. |
| | 24-404 | 24-405 | 24-406 | REPLACEMENT PACKAGE No. |
| | 7046812 | 17051886 | 17051886 | OVERHAUL KIT |
| | 9258 | 9269 | 9269 | POWER CARBURETOR KIT |
| | 40-419 | 40-428 | 40-428 | GASKET SET |
| AIR HORN PARTS | | | | |
| 1 | 7047976 | 7047976 | 17051386 | Air Horn Assembly |
| 2 | 7029087 | | | Gasket—Air Horn |
| 3 | 7048169 | | | Lever—Pump Actuating |
| 4 | 9428787 | | | Roll Pin—Pump & Lockout Lever Hinge |
| 5 | 7029912 | | | Screw—Air Horn |
| 6 | 7014699 | | | Screw—Air Horn |
| 7 | 7031105 | | | Screw—Air Horn |
| 8 | 7045780 | | | Metering Rod—Secondary |
| 9 | 7034522 | | | Sec. Metering Rod Holder Kit |
| 10 | 7037968 | | | Lever—Air Valve Lockout |
| — | 7035344 | | | Air Valve Spring & Cam Kit |
| — | 7030753 | | | Air Valve Stop |

| | 7043254 | 7045254 | 7045554 | CARBURETOR No. |
|------------|---------------------|----------|----------|------------------------------------|
| Illus. No. | CHOKE PARTS | | | |
| 11 | 7036881 | | | Stat Cover, Coil & Gasket Assy. |
| 12 | 7002760 | 17050961 | 17050961 | Gasket—Stat Cover |
| 13 | 7047499 | | | Vacuum Break Control & Brkt. Assy. |
| 14 | 7040031 | | | Vacuum Break Control Assy. |
| 15 | 7038305 | | | Rod—Vacuum |
| 16 | 7038581 | | | Screw—Control Attaching |
| 17 | 7035199 | | | Cam—Fast Idle |
| 18 | 7026339 | | | Hose—Vacuum |
| 19 | 7038259 | | | Choke Shaft |
| 20 | 7045665 | | | Choke Valve |
| 21 | 7029866 | | | Screw—Choke Valve |
| 22 | 7031231 | | | Lever—Intermediate Choke |
| 23 | 7038269 | | | Rod—Choke |
| 24 | 7036880 | | | Choke Housing Assembly |
| 25 | 7038282 | | | Inter. Choke Shaft & Lever Assy. |
| — | 7037569 | | | Seal—Inter. Choke Shaft |
| — | 7030662 | 7043367 | 7043367 | Seal—Choke Hsg. to Bowl |
| 26 | 7038285 | | | Lever—Stat Coil |
| 27 | 7019709 | | | Screw—Coil Lever |
| 28 | 7038808 | | | Screw—Choke Hsg. to Bowl |
| 29 | 7038301 | | | Lever—Choke |
| 30 | 7029866 | | | Screw—Choke Lever |
| 31 | 7000614 | | | Retainer—Stat Cover |
| 32 | 7011270 | | | Screw—Stat Cover |
| | FLOAT BOWL PARTS | | | |
| 33 | 7046757 | | | Float Bowl Assembly |
| 34 | 7031970 | 7031970 | 7031968 | Jet—Primary |
| 35 | 7002117 | | | Ball—Pump Discharge |
| 36 | 7029849 | | | Retainer—Pump Discharge Ball |
| 37 | 30-142 | | | Needle & Seat Assy. |
| 38 | KIT ONLY | | | Gasket—Needle Seat |
| 39 | 7033751 | | | Pull Clip—Float Needle |
| 40 | 7033752 | | | Float Assembly |
| 41 | 7029856 | | | Hinge Pin—Float Assembly |
| 42 | 7034903 | | | Power Piston Assembly |
| 43 | 7036019 | | | Spring—Power Piston |
| 44 | 7046338 | | | Metering Rod—Primary |
| 45 | 7029862 | | | Spring—Metering Rod—Primary |
| 46 | 7045878 | | | Filter Nut—Fuel Inlet |
| 47 | 7024281 | | | Gasket—Filter Nut |
| 48 | GF-441 | | | Filter—Fuel Inlet |
| 49 | 7032732 | | | Spring Fuel Filter |
| 50 | — | | | Idle Compensator Assembly |
| 51 | — | | | Gasket—Idle Compensator |
| 52 | — | | | Cover—Idle Compensator |
| 53 | — | | | Screw—Cover Attaching |
| 54 | 7003176 | | | Spring—Idle Stop Screw |
| 55 | 7002121 | | | Screw—Idle Stop |
| 56 | 7034361 | | | Insert—Float Bowl |
| 57 | 7031365 | | | Baffle—Float Bowl |
| 58 | 7004597 | 7041169 | 7041169 | Spring—Pump Return |
| 59 | 7035031 | | | Pump Assembly |
| 60 | 7026138 | | | Rod—Pump |
| | THROTTLE BODY PARTS | | | |
| 61 | 7046811 | 17052803 | 17051396 | Throttle Body Assembly |
| 62 | KIT ONLY | | | Gasket—Throttle Body |
| 63 | 7035790 | | | Screw—Throttle Body |
| 64 | 7048532 | | | Idle Needle |
| 65 | 7011479 | | | Spring—Idle Needle |
| 66 | 7038298 | | | Lever—Cam Follower |
| 67 | 7035772 | | | Spring—Cam Lever |
| 68 | 7035998 | | | Fast Idle Lever |
| 69 | 7035523 | | | Screw—Fast Idle Lever |
| 70 | 7044794 | | | Screw—Fast Idle Adjusting |
| 71 | 7029900 | | | Spring—Fast Idle Screw |
| 72 | 412501 | 419047 | 419047 | Gasket—Flange |



Delco Carburetor

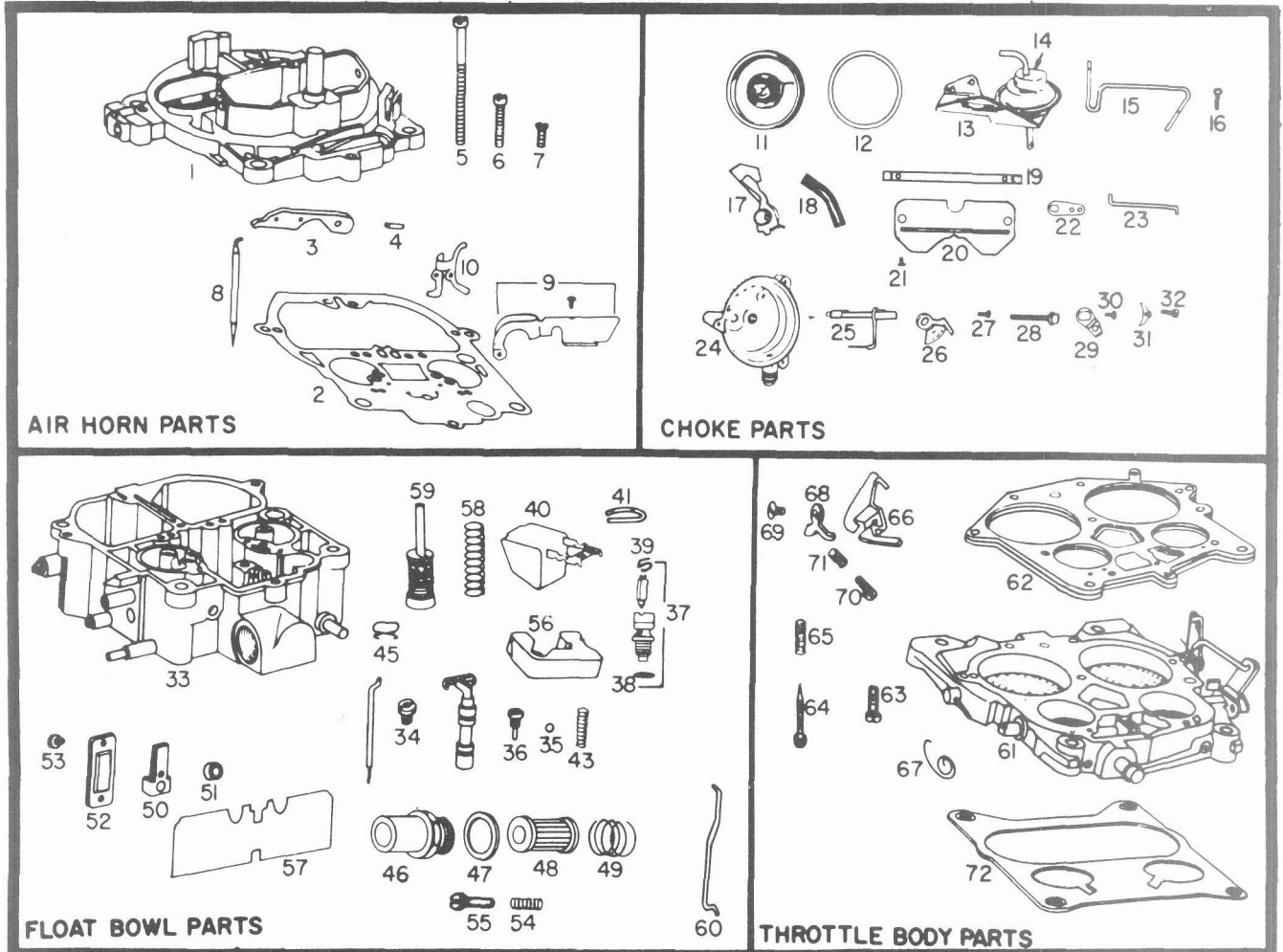
MODEL M4MC QUADRAJET

1977 GMC MOTOR HOME

403 CUBIC INCH OLDS ENGINE

BULLETIN: 9C-4001
DATE: NOVEMBER 1976
PAGE: 1

PARTS SHOWN ARE FOR IDENTIFICATION ONLY. CONSULT PARTS LIST FOR CORRECT PART NAME AND NUMBER



PARTS IN ALL COLUMNS SAME — EXCEPT WHERE INDICATED

| | FEDERAL | APPLICATION |
|------------|----------------|-------------------------------------|
| | 17057254 | CARBURETOR No. |
| | 24-407 | REPLACEMENT PACKAGE No. |
| | 17055499 | OVERHAUL KIT |
| | 9319 | POWER CARBURETOR KIT |
| | 40-454 | GASKET SET |
| Illus. No. | AIR HORN PARTS | |
| 1 | 17055497 | Air Horn Assembly |
| 2 | 17051797 | Gasket—Air Horn |
| 3 | 7048169 | Lever—Pump Actuating |
| 4 | 9428787 | Roll Pin—Pump & Lockout Lever Hinge |
| 5 | 7029912 | Screw—Air Horn |
| 6 | 7014699 | Screw—Air Horn |
| 7 | 7031105 | Screw—Air Horn |
| 8 | 7045780 | Metering Rod—Secondary |
| 9 | 7034522 | Sec. Metering Rod Holder Kit |
| 10 | — | Lever—Air Valve Lockout |
| — | 7035344 | Air Valve Spring & Cam Kit |
| — | — | Air Valve Stop |

| | 17057254 | CARBURETOR No. |
|------------|----------------------------|--|
| | CHOKE PARTS | |
| Illus. No. | | |
| 11 | 17054309 | Stat Cover, Coil & Gasket Assy. |
| 12 | 17050961 | Gasket—Stat Cover |
| 13 | 7044435 | Vacuum Break Control & Bracket Assy. |
| 14 | — | Vacuum Break Control Assy. |
| 15 | 7041527 | Rod—Vacuum |
| 16 | 17050732 | Screw—Control Attaching |
| 17 | 7041484 | Cam—Fast Idle |
| 18 | 7026339 | Hose—Vacuum |
| 19 | 7038259 | Choke Shaft |
| 20 | 7048904 | Choke Valve |
| 21 | 7029866 | Screw—Choke Valve |
| 22 | 7031231 | Lever—Intermediate Choke |
| 23 | 7041472 | Rod—Choke |
| 24 | 17055095 | Choke Housing Assembly |
| 25 | 7041492 | Intermediate Choke Shaft & Lever Assy. |
| — | 7037569 | Seal—Intermediate Choke Shaft |
| — | 7043367 | Seal—Choke Hsg. to Bowl |
| 26 | 7043368 | Lever—Stat Coil |
| 27 | 7019709 | Screw—Coil Lever |
| 28 | 7038808 | Screw—Choke Hsg. to Bowl |
| 29 | 7041542 | Lever—Choke |
| 30 | 7029866 | Screw—Choke Lever |
| 31 | 7000614 | Retainer—Stat Cover |
| 32 | 7011270 | Screw—Stat Cover |
| | FLOAT BOWL PARTS | |
| 33 | 17055498 | Float Bowl Assembly |
| 34 | 7031975 | Jet—Primary |
| 35 | 7002117 | Ball—Pump Discharge |
| 36 | 7029849 | Retainer—Pump Discharge Ball |
| 37 | 30-134 | Needle & Seat Assy. |
| 38 | KIT ONLY | Gasket—Needle Seat |
| 39 | 7033751 | Pull Clip—Float Needle |
| 40 | 7046300 | Float Assembly |
| 41 | 7041469 | Hinge Pin—Float Assembly |
| 42 | 7044449 | Power Piston Assembly |
| 43 | 7036019 | Spring—Power Piston |
| 44 | 17056953 | Metering Rod—Primary |
| 45 | 7041459 | Spring—Metering Rod—Primary |
| 46 | 7044951 | Filter Nut—Fuel Inlet |
| 47 | 7024281 | Gasket—Filter Nut |
| 48 | GF-441 | Filter—Fuel Inlet |
| 49 | 7032732 | Spring Fuel Filter |
| 50 | — | Idle Compensator Assembly |
| 51 | — | Gasket—Idle Compensator |
| 52 | — | Cover—Idle Compensator |
| 53 | — | Screw—Cover Attaching |
| 54 | 7003176 | Spring—Idle Stop Screw |
| 55 | 7002121 | Screw—Idle Stop |
| 56 | 7041471 | Insert—Float Bowl |
| 57 | 7031365 | Baffle—Float Bowl |
| 58 | 7042979 | Spring—Pump Return |
| 59 | 17053072 | Pump Assembly |
| 60 | 7026138 | Rod—Pump |
| — | 7044330 | Insert—Aneroid Cavity |
| — | 7041473 | Lever—Secondary Lockout |
| | THROTTLE BODY PARTS | |
| 61 | 17058885 | Throttle Body Assembly |
| 62 | KIT ONLY | Gasket—Throttle Body |
| 63 | 7035790 | Screw—Throttle Body |
| 64 | 7048532 | Idle Needle |
| 65 | 7011479 | Spring—Idle Needle |
| 66 | 7041497 | Lever—Cam Follower |
| 67 | 17051494 | Spring—Cam Lever |
| 68 | 7041498 | Fast Idle Lever |
| 69 | 7036079 | Screw—Fast Idle Lever |
| 70 | 7044794 | Screw—Fast Idle Adjusting |
| 71 | 7029900 | Spring—Fast Idle Screw |
| 72 | 419047 | Gasket—Flange |



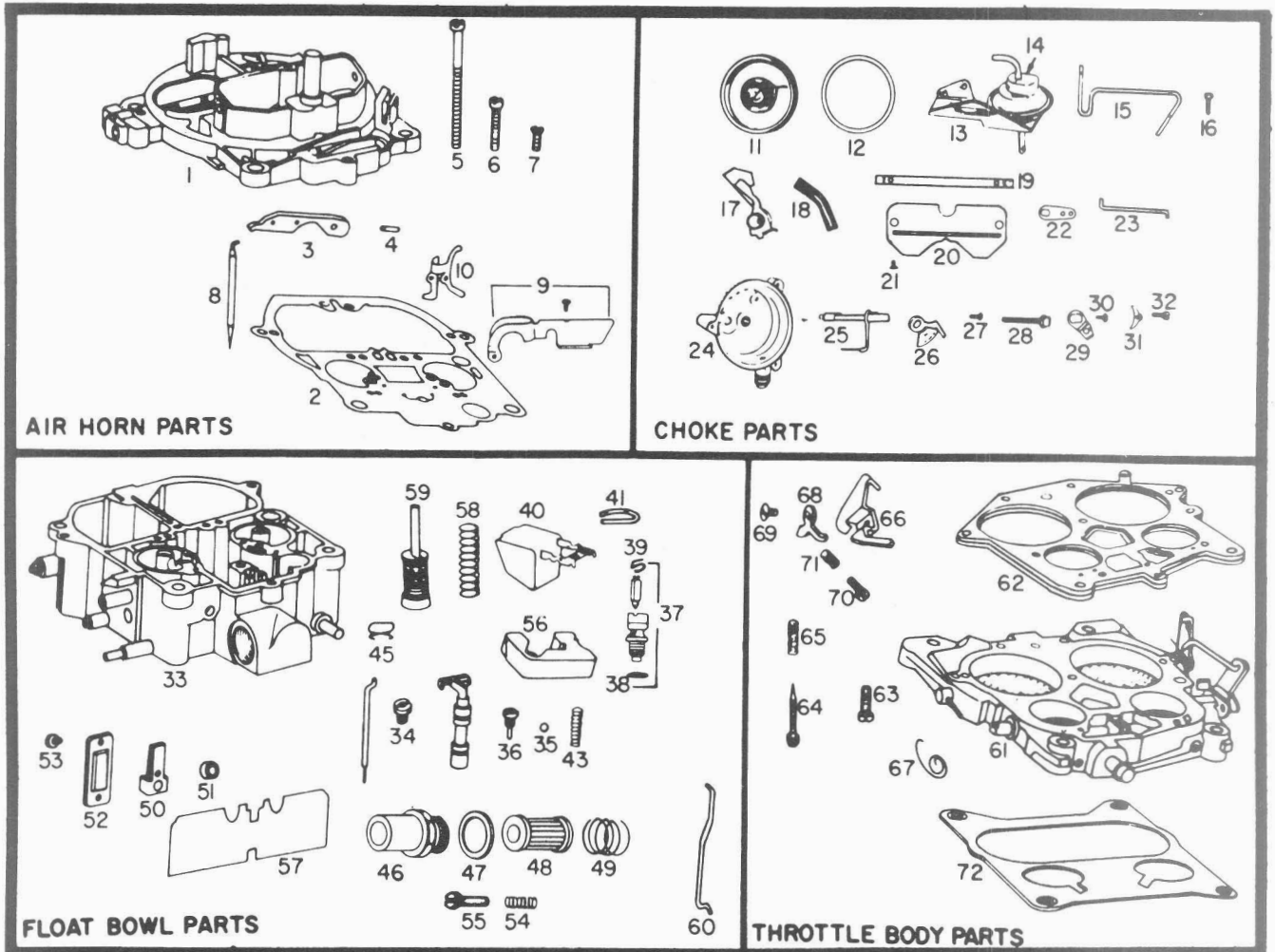
Delco Carburetor

MODEL M4MC QUADRAJET

1978 GMC MOTOR HOME
403 CUBIC INCH OLDS ENGINE

BULLETIN: 9C-4002
DATE: NOVEMBER 1977
PAGE: 1

PARTS SHOWN ARE FOR IDENTIFICATION ONLY. CONSULT PARTS LIST FOR CORRECT PART NAME AND NUMBER



PARTS IN ALL COLUMNS SAME — EXCEPT WHERE INDICATED

| | FEDERAL | CALIFORNIA | APPLICATION |
|------------|----------------|------------|-------------------------------------|
| | 17058254 | 17058559 | CARBURETOR No. |
| | 24-409 | 24-410 | REPLACEMENT PACKAGE No. |
| | 17055634 | 17065041 | OVERHAUL KIT |
| | 9341 | | POWER CARBURETOR KIT |
| | 40-466 | | GASKET SET |
| Illus. No. | AIR HORN PARTS | | |
| 1 | 17055632 | 17065038 | Air Horn Assembly |
| 2 | 17056357 | | Gasket—Air Horn |
| 3 | 7048169 | | Lever—Pump Actuating |
| 4 | 9428787 | | Roll Pin—Pump & Lockout Lever Hinge |
| 5 | 7029912 | | Screw—Air Horn |
| 6 | 7014699 | | Screw—Air Horn |
| 7 | 7031105 | | Screw—Air Horn |
| 8 | 7045780 | | Metering Rod—Secondary |
| 9 | 7034522 | | Sec. Metering Rod Holder Kit |
| 10 | — | — | Lever—Air Valve Lockout |
| — | 7035344 | | Air Valve Spring & Cam Kit |
| — | — | — | Air Valve Stop |

| | 17058254 | 17058559 | CARBURETOR No. |
|------------|---------------------|----------|--|
| Illus. No. | CHOKE PARTS | | |
| 11 | 17054309 | | Stat Cover, Coil & Gasket Assy. |
| 12 | 17050961 | | Gasket—Stat Cover |
| 13 | 7044435 | | Vacuum Break Control & Bracket Assy. |
| 14 | — | — | Vacuum Break Control Assy. |
| 15 | 7041527 | | Rod—Vacuum |
| 16 | 17050732 | | Screw—Control Attaching |
| 17 | 17056631 | 17056632 | Cam—Fast Idle |
| 18 | 7026339 | | Hose—Vacuum |
| 19 | 7038259 | | Choke Shaft |
| 20 | 7048904 | | Choke Valve |
| 21 | 7029866 | | Screw—Choke Valve |
| 22 | 7031231 | | Lever—Intermediate Choke |
| 23 | 7041472 | | Rod—Choke |
| 24 | 17055613 | 17065040 | Choke Housing Assembly |
| 25 | 17050754 | | Intermediate Choke Shaft & Lever Assy. |
| — | 7037569 | | Seal—Intermediate Choke Shaft |
| — | 7043367 | | Seal—Choke Hsg. to Bowl |
| 26 | 7043368 | | Lever—Stat Coil |
| 27 | 7019709 | | Screw—Coil Lever |
| 28 | 7038808 | | Screw—Choke Hsg. to Bowl |
| 29 | 7041542 | | Lever—Choke |
| 30 | 7029866 | | Screw—Choke Lever |
| 31 | 7000614 | | Retainer—Stat Cover |
| 32 | 7011270 | | Screw—Stat Cover |
| | FLOAT BOWL PARTS | | |
| 33 | 17055633 | 17065039 | Float Bowl Assembly |
| 34 | 7031974 | 7031978 | Jet—Primary |
| 35 | 7002117 | | Ball—Pump Discharge |
| 36 | 7029849 | | Retainer—Pump Discharge Ball |
| 37 | 30-134 | | Needle & Seat Assy. |
| 38 | KIT ONLY | | Gasket—Needle Seat |
| 39 | 7033751 | | Pull Clip—Float Needle |
| 40 | 7046300 | | Float Assembly |
| 41 | 7041469 | | Hinge Pin—Float Assembly |
| 42 | 7044449 | | Power Piston Assembly |
| 43 | 7036019 | 17055329 | Spring—Power Piston |
| 44 | 17056953 | 17051353 | Metering Rod—Primary |
| 45 | 7041459 | | Spring—Metering Rod—Primary |
| 46 | 17059861 | | Filter Nut—Fuel Inlet |
| 47 | 7024281 | | Gasket—Filter Nut |
| 48 | GF-441 | | Filter—Fuel Inlet |
| 49 | 7032732 | | Spring Fuel Filter |
| 50 | — | | Idle Compensator Assembly |
| 51 | — | | Gasket—Idle Compensator |
| 52 | — | | Cover—Idle Compensator |
| 53 | — | | Screw—Cover Attaching |
| 54 | 7003176 | | Spring—Idle Stop Screw |
| 55 | 7002121 | | Screw—Idle Stop |
| 56 | 7041471 | | Insert—Float Bowl |
| 57 | 7031365 | | Baffle—Float Bowl |
| 58 | 7042979 | | Spring—Pump Return |
| 59 | 17053072 | | Pump Assembly |
| 60 | 7026138 | | Rod—Pump |
| — | 17051796 | | Insert—Aneroid Cavity |
| — | 7041473 | | Lever—Secondary Lockout |
| | THROTTLE BODY PARTS | | |
| 61 | 17058648 | 17058984 | Throttle Body Assembly |
| 62 | KIT ONLY | | Gasket—Throttle Body |
| 63 | 7035790 | | Screw—Throttle Body |
| 64 | 7048532 | | Idle Needle |
| 65 | 7011479 | | Spring—Idle Needle |
| 66 | 7041497 | | Lever—Cam Follower |
| 67 | 17051494 | | Spring—Cam Lever |
| 68 | 7041498 | | Fast Idle Lever |
| 69 | 7036079 | | Screw—Fast Idle Lever |
| 70 | 7044794 | | Screw—Fast Idle Adjusting |
| 71 | 7029900 | | Spring—Fast Idle Screw |
| 72 | 419047 | | Gasket—Flange |