

GMT 922 1/75

INTRODUCTION

The Product Description Manual (P. D. M.) is designed to aid in the assembly and inspection of all G. M. C. trucks. It includes all Standard and RPO (Regular Production Option) parts, and some SEO (Special Equipment Option) information in the form of RANs (Restriction Alteration Notification).

The P. D. M. is organized by model into various "books" and within each book, the information is sorted into U. P. C. (Uniform Part Classification) as defined by the Engineering Bills of Material. Within each U. P. C. there are "Graphics" and a set of Assembly Information sheets.

GRAPHICS

Graphics are perspective illustrations of major assemblies, and are qualified as to model and RPO usage. More than one view is provided if it is needed to understand the entire assembly. The individual parts are identified by item numbers, which are further defined in the "Assembly Information".

ASSEMBLY INFORMATION

The "Assembly Information" is a list of all parts for a given model. Some U. P. C. groups will be non-illustrated as shown by the index, but there will be an "Assembly Information" section as long as engineering has released a part in that U. P. C. group. The information is presented in such a way that the user will know all the usages of a part, both standard and RPO, within a given model series. For this reason, the "Assembly Information" is known as a net statement bill of material. The assembly information for each UPC group is filed behind the Graphics for that group.

MANUAL USAGE INSTRUCTION

The following is a step-by-step guide for using the P. D. M. which can be used as a quick reference for finding your way to the information you need.

The index is on pages 22, 23, and 24

Please click on this box to go to the index

BY (Date)	NO. (Inspection)	DATE	SYM	REVISION	ACTN	BY	CR	DEPARTMENTS	TITLE
		2-11		ORIGINAL RELEASE					P. D. M. USAGE INSTRUCTIONS
									CONTENT
									AGE INSTRUCTIONS

GMT 922 1/75

FIVE STEPS FOR USING THE PRODUCT DESCRIPTION MANUAL**STEP #1 - MODEL INFORMATION SOURCE**

GIVES MODEL IDENTIFICATION

- A. Production Data Broadcast
1. line-up sheet
 2. sales order
 3. engineering specifications
 4. sales data book

STEP #2 - MODEL DESCRIPTION CHART

GIVES PDM BOOK NUMBER

- A. Found at the Beginning of Each P. D. M. Set

STEP #3 - U. P. C. INDEX DESCRIPTION LIST

GIVES VEHICLE AREA OF INSTALLATION

- A. Found at the Beginning of Each P. D. M. Set in UPC - Zero, a Specific U. P. C. Index will be Attached for that Book


STEP #4 - U. P. C. SECTION INDEX GRAPHIC SHEETS

GIVES PICTORIAL INSTALLATION INFORMATION

- A. Found at the Beginning of Each UPC Section

STEP #5 - ASSEMBLY INFORMATION PARTS LISTING


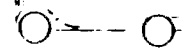

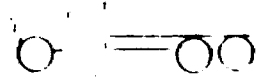
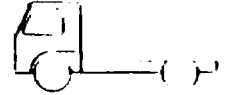
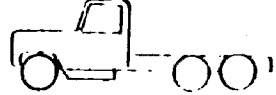
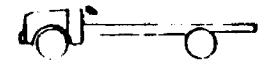
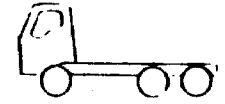
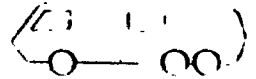
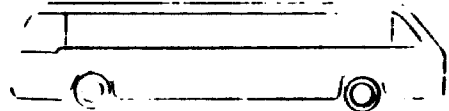
GIVES PART NUMBER AND APPLICATION

DYNAMIC (Installation) - LOS	STATIC (Inspection) - LOS	DATE	SYM	DIVISION	AUTH	DR	CR	DEPARTMENTS	ALL BOOKS		
		2/2/71		ORIGINAL RELEASE			157K		TITLE P. D. M. USAGE INSTRUCTIONS		
									NAME		
									DIVISION/UPC		
									CONTENT		
									SERIAL		
									2		

GMT 922 1/75

STEP -2

SELECT THE PROPER BOOK NUMBER AS INDICATED ON THE CHART

BOOK NUMBER	MODEL	DESCRIPTION	
1	C 30	LIGHT DUTY CONVENTIONAL	
4	C M 50, 60, 65	MEDIUM DUTY CONVENTIONAL	
6	P 4500	PIE WAGON (CHASSIS)	
7	M J M 75-9500	HEAVY DUTY CONVENTIONAL	
10	D F 9502	ALUMINUM TILT (ASTRO)	
11	M N 9500	HEAVY DUTY (GENERAL)	
12	S 6000	SCHOOL BUS CHASSIS	
14	T 6000	STEEL TILT	
70	ZEO	MOTOR HOME & COMMERCIAL	
80	RTS	COACH	

PYRAMID (Installation)-105 ▲ ▲ ▲ ▲ ▲	DATE 6-277	SYM	REVISION ORIGINAL RELEASE	AUTH	DR	CR	DEPARTMENTS	<h2>ALL BOOKS</h2>		
								TITLE P. D. M. USAGE INSTRUCTIONS		
								NAME CONTENT	DIVISION/LIFE	SHEET 4

GMT 922B 1/75

Name of parts or special tool number required for installation. This column also denotes torque required on attaching hardware.

For computer use. *denotes torque specification.

Sequence number is used to identify multiple usage of the same item number.

Item number corresponds to the number shown on the graphic sheet in the same UPC.

For Broadcast use only.

Quantity of parts required for application.

Model for body type.

Engine type.

GVW series (Gross Vehicle Weight).

ITEM	QTY	PART OR TOOL DESCRIPTION	ADD'L DATA	QTY	PART NUMBER	ENGINE CODES	MODEL	GVW
0010AA	1	Pedal Asm. Brk.		1	709845			
0020AA	1	Cover Brk. Ped.		1	3898614			
0030AA	1	Br. Brk. & Clu. Pd.		1	695543			
0040AA	1	Reinf. Brace		1	695267			
0070AA	2	Bushing Brk. Ped.		2	3769302			
0090AA	1	Sleeve Brk. Ped.		1	3889806			
0120AA	1	Bumper Brk. Ped.		1	3978807			
0130AA	1	Rod Brk. Ped. Push		1	709705			
0140AA*	1	Bolt Push Rod		1	3908579			
0150AA	1	C Pin Push Rod		1	103385			
0170AA	1	Spng.		1	704452			

NOTE: If these three are left blank, parts apply to all models.

(Upper LH corner of P. D. M. Assembly Information Sheet)

BY (Name) - (LS)	DATE	SYN	REVISION	AUTH	DR	CR	DEPARTMENTS	ALL BOOKS
△ △ △ △	3/25/77		ORIGINAL RELEASE					
TITLE								P. D. M. USAGE INSTRUCTIONS
NAME							DIVISION / UPC	SHEET
CONTENT								9



PRODUCT DESCRIPTION MANUAL

ASSEMBLY INFORMATION

GMT 1081 REV. 8/78

GM TRUCK & COACH

ITEM	PART OR TOOL DESCRIPTION	ADD'L DATA	PART NUMBER	ENGINE CODES	SERIES	BODY DIV	ITEM RESTRICTION	DEPARTMENTS #1	2, STA	CHANGE CD	AUTH	LOGIC CODE	FUNCTION CODE	ADDITIONAL CODES	FINA	LINE NOS
	AVSS STD. 209 CAT. 1 SEAT BELT ASSEMBLIES															1.8
	DUE CARE MUST BE EXERCISED BY ALL PERSONNEL INVOLVED IN THE HANDLING AND INSTALLATION OF ALL SEAT BELT ASSEMBLIES.															
	1. SEAT BELTS ARE SUPPLIED IN SETS CONSISTING OF THE TWO HALVES OF A BELT ASSEMBLY. SHOULD REPLACEMENT BE NECESSARY FOR ANY REASON, THEY MUST BE REPLACED IN SETS ONLY. REPLACED BELTS MUST BE IDENTIFIED AND RETAINED FOR SALVAGE DEPARTMENT DISPOSITION.															
	NOTE: SEAT BELTS ARE SALVAGED AND MADE AVAILABLE FOR REUSE ONLY BY THE SUPPLIER AFTER RETESTING AND RECERTIFICATION.															
	2. OPEN SEAT BELT CARTON BY RELEASING THE TOP FLAPS. DO NOT USE A KNIFE, RAZOR BLADE OR ANY OTHER SHARP INSTRUMENT TO CUT OPEN CARTONS TO PREVENT ANY DAMAGE TO BELTS.															
	3. DUE CARE MUST BE EXERCISED BEFORE AND AFTER ASSEMBLY TO ASSURE THAT BELTS ARE NOT SOILED OR DAMAGED.															
	4. ATTACHING HARDWARE WILL HAVE BEEN MANUFACTURED WITH DUE CARE BY OUR SUPPLIERS; HOWEVER, THE CONTINUATION OF DUE CARE MUST BE EXERCISED BY OUR PERSONNEL DURING HANDLING AND INSTALLATION.															
	5. BELT ANCHOR BOLTS USING LOCKING THREADS MUST BE SCRAPED IF REMOVED AND NEVER REUSED. DAMAGED OR CROSS-THREADED BOLTS MUST NOT BE USED.															
	6. BELT ANCHOR BOLTS MUST BE INSTALLED WITH TORQUE WRENCH OR AN AIR MOTOR OF CORRECT TORQUE RANGE TO PRODUCE THE REQUIRED TORQUE.															
	7. BOLTS AND ATTACHING HARDWARE MUST ALWAYS BE THE SAME PART NUMBER AS CALLED OUT IN THE ENGINEERING BILL OF MATERIAL. UNAUTHORIZED SUBSTITUTIONS ARE NEVER PERMITTED.															
	PROCESS DOCUMENTATION: THIS PROCESS UTILIZES STANDARD TOOLS AND EQUIPMENT OF WHICH THE CAPABILITIES ARE WELL ESTABLISHED.															
	APPROVED BY: <i>[Signature]</i>															
	DATE: 10/28/77															

STD 209
CAT. 1
SEAT BELTS

1977-PDM

ZE05XXX

MODEL APPLICATION
BODY (SEAT BELTS)

MODEL YEAR IS 78
ORIGIN DATE 10-10-77

REV ORG DATE
REV ORG CODE
70 1 S6 1

ITEM	PART OR TOOL DESCRIPTION	ADD'L DATA	QTY	PART NUMBER	ENGINE CODES	SERIES	BOV BRK	ITEM RESTRICTION	DEPARTMENTS		CHANGE		LOGIC CODE	FUNCTION CODE	ADDITIONAL CODES	LINE NOS
									ST	2/STA	CD	AUTH				
	MVSS STD. III CAT. 2 (OUTSIDE REAR VIEW MIRROR)															1.8
	DUE CARE MUST BE EXERCISED IN THE HANDLING AND INSTALLATION OF THE OUTSIDE REAR VIEW MIRROR ASSEMBLIES AND ATTACHING HARDWARE.															
	MIRROR ASSEMBLY SHOULD BE STORED IN THE ORIGINAL PROTECTIVE SHIPPING CONTAINERS WITH PAPER SEPARATORS IN PLACE UNTIL MIRROR IS TO BE USED TO AVOID CRACKS, CHIPS AND SCRATCHES. STOCK SHOULD BE ROTATED REGULARLY TO AVOID AGING AND DAMAGE.															
	DAMAGED MIRRORS SHOULD NEVER BE USED. IF MIRRORS BECOME DAMAGED AFTER INSTALLATION ON VEHICLE, THEY MUST BE REPLACED BEFORE VEHICLE IS SHIPPED.															
	PROCESS DOCUMENTATION: THIS PROCESS UTILIZES STANDARD TOOLS AND EQUIPMENT FOR WHICH THE CAPABILITIES ARE WELL ESTABLISHED.															
	APPROVED BY: <i>[Signature]</i>															
	DATE: <i>[Signature]</i>															

1 2 3 4 5 F.M.V.B.	SYD III	1977 PDH	ZEO5XXX	MODEL YEAR 1978
	CAT. 2			ORIGIN DATE
	OUTSIDE MIRROR			LAST CHG DATE
				LAST CHG. CODE
				70 1 SB 1
	REFERENCE		MODEL APPLICATION	DR. U. P. C. ORP PAGE
			BODY (OUTSIDE MIRROR)	
			UPC DESCRIPTION	

PRODUCT DESCRIPTION MANUAL ASSEMBLY INFORMATION

PART OR TOOL DESCRIPTION	ADD'L DATA	QTY	PART NUMBER	ENGINE CODES	SERIES	BODY	ITEM RESTRICTION	DEPARTMENTS		CHANGE		LOGIC CODE	FUNCTION CODE	AD CODES	FNA	LINE NOS.
								01	2/8TA	CD	AUTH					
STD. 210 CAT. 2 SEAT BELT ASSEMBLY ANCHORAGE																1.00
DUE CARE SHALL BE EXERCISED IN THE HANDLING AND INSTALLATION OF SEAT BELT ANCHORAGE COMPONENTS TO PREVENT DAMAGE AND TO ASSURE CORRECT AND SECURE INSTALLATION.																
SEAT BELT ANCHORAGE COMPONENTS ARE TO BE ASSEMBLED TO VEHICLE AS SPECIFIED BY ENGINEERING.																
PROCESS DOCUMENTATION:																
THIS PROCESS UTILIZES STANDARD TOOLS AND EQUIPMENT OF WHICH THE CAPABILITIES ARE WELL ESTABLISHED.																
APPROVED BY: <i>[Signature]</i>																
DATE: <i>9/27/77</i>																

STD. 210
CAT. 2
SEAT BELT ANCHORAGE

1977 PROD.

ZEO5XXX

MODEL YEAR 1978
ORIGIN DATE 9-2-77
LAST CHG. DATE

MODEL APPLICATION
SEAT BELT ANCHORAGE
VPC DESCRIPTION

LAST CHG. CODE
70 1 80 1
OK U. P. S. REP PAGE

GMT 922 1-73

MOTOR HOME

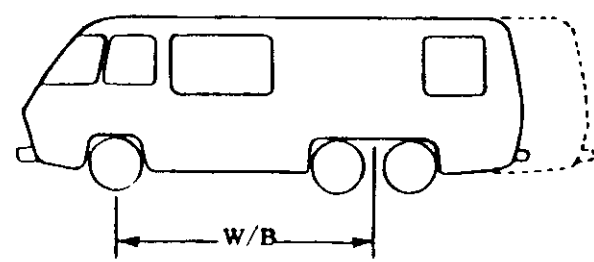
0|0|0|00|00

Body Style
Z = Motor Home

Body & Brake Style
81 - Motor Home
83 - Hydraulic - Commercial

Engine
E = V 8 Gasoline

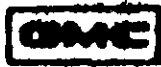
Series



Wheelbase 60 = 23 Foot
 65 = 26 Foot

DYNAMIC (Installation) - EFS	PLANT (Inspection) - EFS	DATE	SYM	REVISION	AUTH	DR	EX	DEPARTMENTS	'78 TRUCK BOOK 70	
		7-19-77		ORIGINAL RELEASE	17000	FL	12	R THOMPSON	TITLE	
									MODEL DESIGNATION DESCRIPTION	
									INFO.	DIVISION / UPC
									0	SHEET
										1





GMT 922 1/75

UPC 1 - BODY

- 1A2D Windshield Wiper & Washer
- 1A2E Miscellaneous
- 1A2F Exterior Body Ornamentation
- 1A2G Air Cond. Comp. Drive & Mounting
- 1A2H Heater & Air Cond., Air System
- 1A2J Heater & Air Cond., Controls
- 1A2K Air Cond. Refrigerant System
- 1A2L Heater Water System
- 1C1 Underbody
- 1C2A Body Front Frame
- 1C2B Instrument Panel
- 1C2D Windshield Section
- 1C3 Roof
- 1C4 Body Side, RR End, Quarter & Deck
- 1C5A Frt. Door & Door Frame
- 1C5B Frt. Door Operating Mechanism
- 1C7A Driver's Seat
- 1C7B Auxiliary Seats
- 1C11 Body Mounting
- 1K1 Furniture
- 1K3 Electrical Convenience Items
- 1K4 Heating & Roof Mounted Air Conditioning
- 1K5 Drapery & Carpeting
- 1K6 Interior Finish & Fit (Ceiling & Walls)
- 1K7 Plumbing

- 1K8 Galley & Appliances
- 1K9 Cabinets
- 1K9A Holding Tank

UPC 2 - FRAME

- 3B Frame

UPC 3 - FRONT SUSPENSION

- 3A Frt. Susp. Less Hubs, Springs, Shock Abs. & Stabilizer
- 3A1 Frt. Drive Conventional Frt. Susp. Knuckle
- 3A2 Frt. Drive Final Drive, Differential & Axle Shafts
- 3B Frt. Wheel Bearings & Seals
- 3E Front Spring Installation
- 3F Front Shock Absorbers
- 3G Front Stabilizer

UPC 4 - REAR AXLE & REAR SUSPENSION

- 4A5 Rear Wheel Bearings & Seals
- 4B Rear Springs
- 4D Rear Spring Installation
- 4E Rear Shock Absorbers
- 4K1 Rear Air Susp. Valves & Controls

Click on an item to go to the section

PLANT (Invention) - US	DATE	SYN	REVISION	APP	BY	CHK	DATE	TRUCK	BOOK
▲ ▲ ▲ ▲	7-12-77		ORIGINAL RELEASE					7	70

TRUCK BOOK 70

UPC INDEX
1A2D THRU 4K1

INFO.

SHEET 2



GMT 922 8/74

UPC 5 - BRAKES

- 5E Rear Brakes, Hubs & Drums
- 5C Service Brake Pedal
- 5D Parking Brake Mechanism
- 5E Hydraulic Master Cylinder
- 5F Brake Lines
- 5G Power Brake Mechanism

UPC 6 - ENGINE

- 6 Engine
- 6B Eng. Identification Labels & Decals
- 6G2 Oil Filler
- 6G4 Oil Level Indicator
- 6G5 Oil Filter
- 6G7 Engine Oil
- 6H Engine Ventilating System
- 6K1 Fan & Drive
- 6K2 Water Pump & Drive
- 6K5 Eng. Coolant & Additives
- 6M1 Carburetor
- 6M3 Air Cleaner & Silencer
- 6M4 Fuel Pump & Vacuum Pump
- 6N2 Throttle Cont. For Accel. Pedal Operation
- 6N4 Speed Control & Speed Control Governor
- 6Q Engine Mounting

- 6T Air Compressor & Air Injection Reactor
- 6Y1 Generator, Voltage Regulator & Other Patt. Chg. Equip.
- 6Y2 Starting Devices
- 6Y3 Distributor
- 6Y4 Spark Plugs, Ign Coil & Wires, Ign Sw. & Grd. Strap

UPC 7 - TRANSMISSION, CLUTCH & CONTROLS

- 7 Transmission
- 7A Trans. External Controls
- 7B6 Trans. Oil Cooling System

UPC 8 - FUEL TANK & EXHAUST SYSTEM

- 8A Fuel Tank, Mountings & Tank Cage Unit
- 8B Fuel Lines
- 8C Exhaust Pipe, Muffler & Tail Pipe
- 8D Evaporative Emission Control System

UPC 9 - STEERING MECHANISM

- 9A Steering Gear & Column
- 9B Steering Wheel
- 9C Steering Column Support
- 9D Steering Linkage & Pitman Arm
- 9E Power Steering

Click on an item to go to the section

SYMBOL (Inspection) - LPS	DATE	SYN	REVISION	APPROV	BY	CR	DEPARTMENT	TRUCK	BOOK
	7-19-77		ORIGINAL RELEASE				R THOMPSON		

UPC INDEX
5B THRU 9E

INFO. PART 3

GMT 922 874

UPC 10 - WHEELS AND TIRES

- 10B Wheels & Tires
- 10E Spare Wheel Mounting

UPC 11 - CHASSIS SHEET METAL

- 11G Chassis Sheet Metal Ornamentation

UPC 12 - CHASSIS ELECTRICAL SYS., INSTRUMENTS & INST. PANEL

- 12A Battery & Leads
- 12B Battery Box & Supports
- 12C Front Lamps & Turn Signals
- 12E Rear Lamps
- 12G Horn, Switch & Mounting
- 12H Fuses, Bulbs & Chassis Wiring
- 12J Instrument Panel & Instruments
- 12K Chassis Electrical Items
- 12L Electrical Convenience Items

UPC 13 - RADIATOR & GRILLE

- 13A Radiator Asm
- 13B Radiator Mounting
- 13C Radiator Grille & Deflectors
- 13E Radiator Shroud
- 13G Surge Tank

UPC 14 - BUMPERS & MISC. FINAL ASM. ITEMS

- 14A1 Front Bumper
- 14A2 Rear Bumper
- 14B Misc. Lubricants, Sealers & Gasoline
- 14C License Carriers
- 14E Tool Compartment & Kit
- 14F Identification & Compliance Plates
- 14G Shipping or Asm, Protective Items
- 14W Final Asm. Painting

Click on an item to go to the section

SYMBOL (Incl. Rev. #) - LPS	NAME (Incl. Rev. #) - LPS	DATE	SYM	REVISION	AUTH	OR	CR	DEPARTMENT	TRUCK	BOOK	
		7-19-77		ORIGINAL RELEASE	81000			R. THOMPSON	78	20	
									TITLE UPC INDEX 10B THRU 14W		
									INFO.	●	4

GMT 922 8/74

<u>RPO</u>	<u>DESCRIPTION</u>	<u>UPC GROUPS</u>
ANW	Toilet - Chemical Recirculating	1K3, 1K7
AN4	Seat - Driver & Passenger Flexsteel	1C7A, 1C7B
APC	Window - Side Door Sliding Screened	1C4
APD	Window - Galley Area, Sliding Screened	1C4
APN	Chairs - Delux, Flex Steel Swivel	1C1, 1K1, 1K3, 1K4, 1K5, 1K6
APP	Davo - R.H. Front	1C1, 1K1, 1K6
APQ	Window - Side Sash & Glass 23 Ft. Comm.	1C4
APR	Window - Side Sash & Glass 26 Ft. Comm.	1C4
BRQ	Insulation - Floor Pan	1C1
CNL	Air Conditioning - Roof Mounted	1K3, 1K4, 1K6
CNQ	Ventilator - Roof Front, Power	1K4
CNU	Ventilator - Roof Front & Rear, Power	1K4
CNV	Air Conditioning - Twin Roof Mounted	1C3, 1K3, 1K4, 1K6

SYMBOL (Incorporation) - LBS	QDDB (Incorporation) - LBS	DATE	SYM	REVISION	AMT	BY	CHK	DEPARTMENTS	TRUCK	BOOK
		7-4-77		ORIGINAL RELEASE		ASPORT		R THOMPSON	78	70
									TITLE RPO INDEX ANW THRU CNV	
									INFO.	5



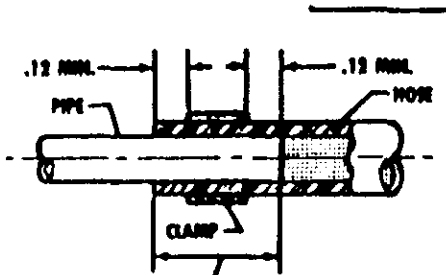
GMT 922 1/75

RPO	DESCRIPTION	UPC GROUPS
U26	Light - Engine Compartment-----	12H, 12L
U41	Warning Light - Low Fuel Indicator-----	12L
U58	Radio - Push Button AM FM Stereo-----	1C2B, 12H, 12L
U84	Antenna - Citizens Band-----	12L, 14B
U97	Outlet - 110 V. Outside Electrical	1C2B, 1C4, 1K3
VJ9	Label - Calif. Emission & Compliance Info.	14F
VNT	Water Purifier	1K7
VNW	Insignia - State Code	1A2F, 1K2, 1K6, 14F
VXA	Hose & Flgs. - Provisions for Pre-Heat of Hot Wtr. Heater	1A2L
VXC	Shipping Package	14G
VXD	Pennsylvania Registration Data	14F
XRH	Tire - 8.75 x 16.5 Steel Belted Tubeless Radial W W Frt.	10B
XRU	Tire - 8.75 x 16.5 Steel Belted Tubeless Radial B W Frt.	10B
XTE	Tire - 8.75 x 16.5 Nylon Bias B W Front	10B
XTG	Tire - 8.75 x 16.5 Steel Belted Tubeless B W Frt.	10B
XTK	Tire - 8.75 x 16.5 Steel Belted Tubeless W W Frt.	10B
X53	Scheduling Option Only	N E
X72	Allied Billing	N E
X80	GVW Rating	N E
YF5	Processing Option - Calif. Emission Certif. Requirements	N E
YRH	Tire - 8.75 x 16.5 Steel Belted Tubeless Radial W W RR	10B
YRU	Tire - 8.75 x 16.5 Steel Belted Tubeless Radial B W RR	10B
YTG	Tire - 8.75 x 16.5 Steel Belted Tubeless B W RR-----	10B
YTK	Tire - 8.75 x 16.5 Steel Belted Tubeless W W Rear-----	10B
YY3	Special Tire Handling -----	N/E

SYMBOL (Installation) - LBS	NUM (Inspection) - LBS	DATE	SYM	REVISION	AUTH	BY	EX	DEPARTMENTS		
		7-19-77		ORIGINAL RELEASE	ARDC	R	11	R THOMPSON		
								'78 TRUCK	BOOK 70	
								TITLE RPO INDEX U26 THRU YY3		
								NAME INFO.	DIVISION/UPC 0	SHEET 7

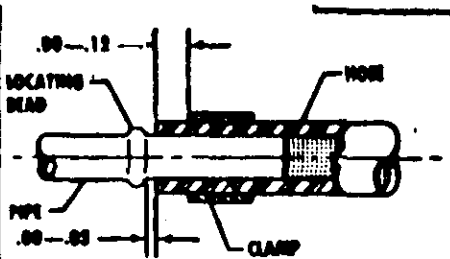
□ ITEM REFERENCE ◇ PROCESS MATERIAL △ TOOL ▣ PART OF OR EXISTING

GMT 922 1-73

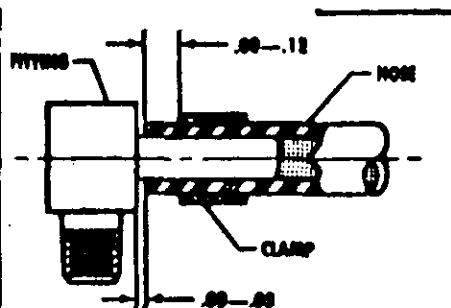


PIPE WITH NO BEADS

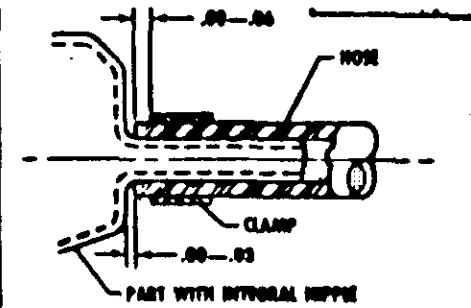
CLAMP WIDTH +.34 MM.
OR .48 MAX.



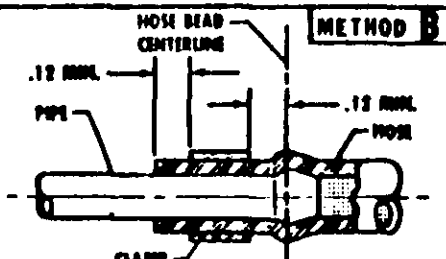
STRAIGHT PIPE WITH LOCATING BEAD



FITTING WITHOUT BEAD



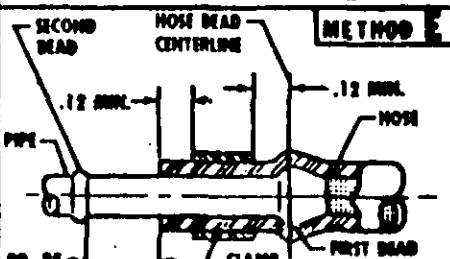
INTEGRAL PART SHORT NIPPLE WITHOUT BEAD



METHOD B

SINGLE BEAD PIPE SAE STYLE "A"

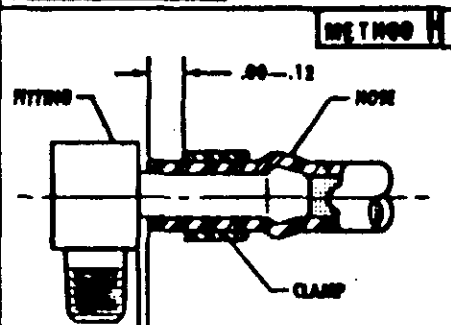
INSTALL HOSE ON PIPE WITH A MIN. OF .12 MM HOSE PROTRUDING BEYOND CLAMP. APPLIES TO ALL SIZES OF PIPES, HOSES & CLAMPS.



METHOD E

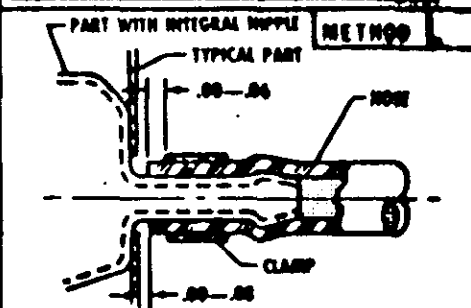
DOUBLE BEAD PIPE SAE STYLE "A"

INSTALL HOSE ON PIPE WITH A MIN. OF .12 MM HOSE PROTRUDING BEYOND CLAMP OR .12 MM. FROM C OF FIRST BEAD.



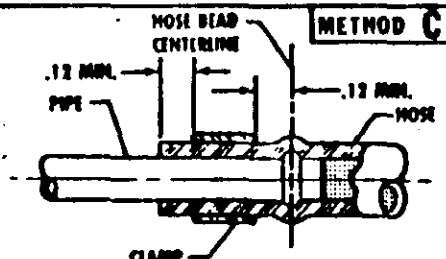
METHOD H

FITTING WITH BEAD



METHOD J

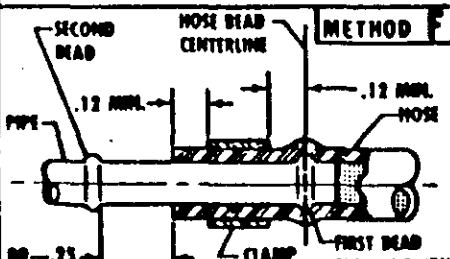
INTEGRAL SHORT NIPPLE WITH BEAD THRU A PART



METHOD C

SINGLE BEAD PIPE SAE STYLE "B"

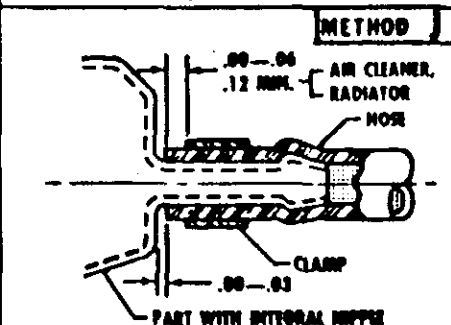
INSTALL HOSE ON PIPE WITH A MIN. OF .12 MM HOSE PROTRUDING BEYOND CLAMP. APPLIES TO ALL SIZES OF PIPES, HOSES & CLAMPS.



METHOD F

DOUBLE BEAD PIPE SAE STYLE "B"

INSTALL HOSE ON PIPE WITH A MIN. OF .12 MM HOSE PROTRUDING BEYOND CLAMP OR .12 MM. FROM C OF FIRST BEAD.



METHOD I

INTEGRAL PART SHORT NIPPLE WITH BEAD

FORM (Revision) - (L)	REVISION (Revision) - (L)	DATE	SYN	REVISION	MTN	DR	CC	DEPARTMENT
△		7-18-73		ORIGINAL RELEASE	47320 RT			R. THOMPSON
△								
△								
△								
△								

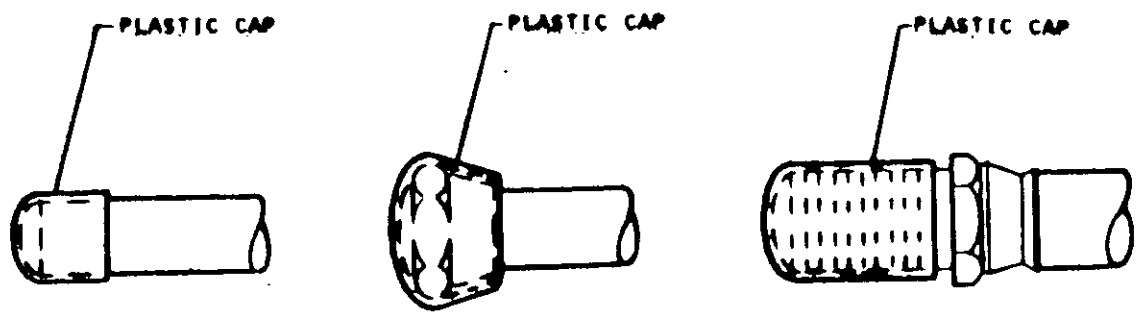
78 TRUCK **BOOK 70**

TITLE
HOSE CLAMPING


INFORMATION ● 10

GMT 922 1-73

 **PLASTIC CAP INSTALLATION FOR TUBES, TUBE ASSEMBLY AND HOSE ASSEMBLY, (PUSH CAP ON UNTIL IT SEATS SECURELY)**




CAUTION PARTS MUST NOT HAVE CAP REMOVED UNTIL JUST PRIOR TO CONNECTION ON VEHICLE. WHEN ONLY ONE CONNECTION IS MADE ON VEHICLE LOOSE END OF PART MUST RETAIN CAP UNTIL IT IS CONNECTED.

SYMBOL (Installation) - LHS	SYMBOL (Inspection) - RHS	DATE	SYM	REVISION	APPR	DR	CR	REVISIONS	TRUCK	BOOK
		1-19-73		ORIGINAL RELEASE	ARNDT	JL		R. THOMPSON	7	70

TRUCK **BOOK 70**

TYPE: PIPE THREAD & TUBE PROTECTION

INFORMATION:  **11**

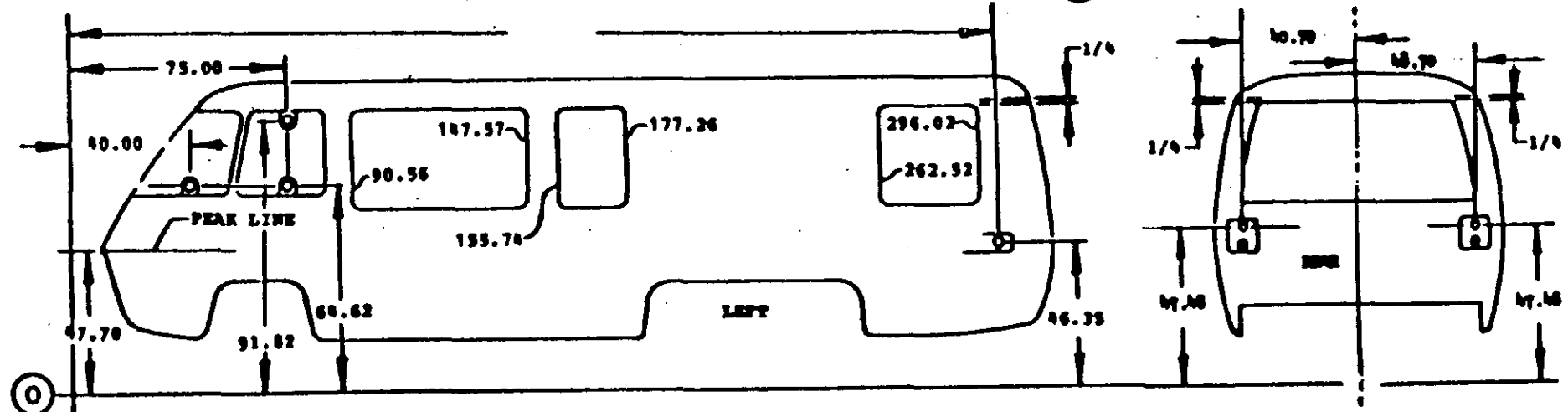
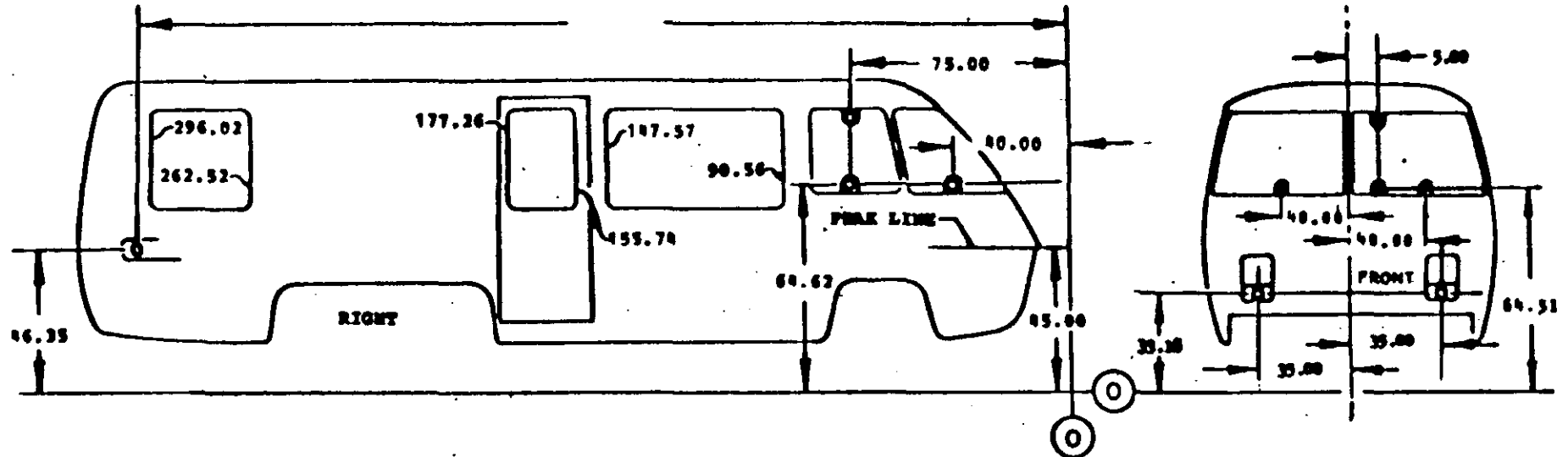


Program to implement inspection and
GENERAL MOTORS CORPORATION

PROCESS EVALUATION MANUAL

NEW REFERENCE PROCESS INTERNAL YOGURT PART OF OR EXISTING

GMT 922 1-73



26 FOOT

DATE _____

DYNAMIC (Installation) - (LPS)	HAND (Inspection) - (LPS)	DATE	SYN	REVISION	AUTH	DR	CE	DEPARTMENTS	78 TRUCK BOOK 70		
	▲ ▲ ▲ ▲	7-9-73		ORIGINAL RELEASE	ALBERT			R. THOMPSON	TITLE		
									CHECKING FIXTURE DRAWING		
									ZE06581/ ZE06583		
									INFORMATION	0	10

ITEM #	PART OR TOOL DESCRIPTION	APPL DATA	QTY	PART NUMBER	ENGINE CODES	BODY	ITEM DESCRIPTION	DEPARTMENT		CHARGE		LOGIC CODE	FUNCTION CODE	ADDITIONAL CODES	LIFE NO.
								#	251A	ED	AUTH				
0010AA	AIR CONDITIONING			**NOTE**				0702	0			3627001010	B C	1.8	
0011AA	E WIRING			**NOTE**				0702	0			3627001011	B C	1.10	
0012AA	OMITTED			**NOTE**				0702	0			3627001012	B C	1.12	
0013AA	AIR CONDITIONING			**NOTE**				0752	0			3627001010	J M	1.14	
0014AA	E WIRING			**NOTE**				0752	0			3627001011	J M	1.14	
0015AA	OMITTED			**NOTE**				0752	0			3627001012	J M	1.18	
0016AA	AIR CONDITIONING			**NOTE**				0782	0			3627001010	P Q	1.20	
0017AA	E WIRING			**NOTE**				0782	0			3627001011	P Q	1.22	
0018AA	OMITTED			**NOTE**				0782	0			3627001012	P Q	1.24	
0030AA	AUX MOTOR			**NOTE**				0702	0			3599001020	A C	1.27	
0031AA	GENRTR OMITTED			**NOTE**				0702	0			3599001021	B C	1.29	
0032AA	AUX MOTOR			**NOTE**				0752	0			3599001020	J M	1.31	
0033AA	GENRTR OMITTED			**NOTE**				0752	0			3599001021	J M	1.33	
0034AA	AUX MOTOR			**NOTE**				0782	0			3599001020	P Q	1.35	
0035AA	GENRTR OMITTED			**NOTE**				0782	0			3599001021	P Q	1.37	
0040AA	REAR WHEEL			**NOTE**				0754	0			6562001030	C	1.39	
0041AA	SKIRT OMITTED			**NOTE**				0754	0			6562001031	C	1.41	

ALL

MODEL APPLICATION
NOTES & INSTRUCTIONS
UPC DESCRIPTION

MODEL YEAR 1978
ORIGIN DATE 770801
LAST CHG DATE 771020
LAST CHG CODE

70 0 A 1
BK U P C DWP PAGE

REFERENCE

1 V V S S

GMT 922 8/74

UPC 1C4 BODY SIDE REAR END & QTR. DECK

<u>Sht. #:</u>	<u>Title:</u>	<u>Restrictions:</u>
1	Framing & Welding R.H. -----	ZEO6083
2	Panels to Frame Asm. R.H. -----	ZEO6083
3	Framing & Welding L.H. -----	ZEO6083
4	Panel to Frame Asm. L.H. -----	ZEO6083
5	Framing & Welding R.H. -----	ZEO6581.83
6	Panel to Frame Asm. R.H. -----	ZEO6581.83
7	Framing & Welding L.H. -----	ZEO6581.83
8	Panel to Frame Asm. L.H. -----	ZEO6581.83
9	Welding Sections	
10	Welding Sections	
11	Welding Sections	
12	Welding Sections	
13	Welding Sections	
14	Welding Sections	
15	Water & Elect. Access Dr. Supt. Sub-Asm.	
16	Door Jam Sub-Asm.	
17	Water & Electric Access Door -----	ZEO6581.83
18	Side Access Door -----	ZEO6083
19	Side Access Door -----	ZEO6581.83

(AUDIT)
1C4 - 19


DYNAMIC (Installation) - LBS	HAZARD (Inspection) - LBS	DATE	SYM	REVISION	AUTH	DR	CR	DEPARTMENTS	'78 TRUCK BOOK 70		
		7/8/77		ORIGINAL REVISION	YKEX		2/AR		TITLE INDEX		
									NAME	DIVISION/UPC	SHEET
									BODY	1	D

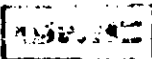
GMT 922 175

UPC IK1 - FURNITURE_ZEO 6581

Shc.	Title	Restrictions:
1	Rear Trim Panels & Cushions Installation	
2	Dining Table-----	W ENK
3	Side Facing Settee LH	
4	Dayo. Bunk LH	
5	Dayo. Bunk LH	
6	Dayo Bunk RH-----	W APP
7	Dayo Bunk LH-----	W APP
8	Label Location	
9	Dnette	
10	Dnette Seat, Seat Belt	
11	Dnette Trim Panel	
12	Swivel Chairs-----	W APN
13	Captains Table-----	W APN
14	Seating Label for Swivel Chairs-----	W APN
15	Director's Table-----	W ENF

AUDIT
IK1 - 15

DYNAMIC (Installation) <input type="checkbox"/>		HAND (Inspection) <input type="checkbox"/>		DATE	SYM	REVISION	AUTH	DR	EN	DEPARTMENTS	'78 TRUCK	BOOK 70	
											TITLE		
		INDEX											
		NAME		DIVISION/UPC		SHEET							
		BODY		1		6							



GMT 922 1/75

UPC 1K3 - ELECTRICAL CONV. ITEMS ZEO6581 (Cont'd)

Shit	Title	Restrictions:
46	Harn. Asm. - Hall Ceiling Receptacle	
47	Receptacle-110V	
48	Receptacle-110V	
49	Harn. Asm. RR. 110V	
50	Harn. Asm. RH Ctr. Upr. 110V	
51	Junction Box-Water Htr. 110V	
52	Label Location - Interior	
53	Label Location - Exterior	
54	Circuit Breaker Panel 110V	
55	Wiring Instructions - Water Htr. - 110V	
56	Lamp Asm. - Cabinet	
57	Clips LH Rear Lwr. 110V	
58	Harn. Asm. - Motor Gen. Cmpl.-----	W KNC
59	Wiring - M.G. Set - 12V & 110V-----	W KNC
60	Wiring - M.G. Set - 12V & 110V-----	W KNC
61	Outside Receptacle - 110V-----	W 097
62	Generator Fuel Hose-----	W KNC

UPC 1K3 - ELECTRICAL CONV. ITEMS (Cont'd)

Shit	Title	Restrictions:
63	Motor Generator Asm. & Label Location ---	ZEO6583 W KNC
64	Motor Generator Mounting-----	ZEO6583 W KNC
65	Battery Wiring & Tray Asm.-----	ZEO6583 W KNC
66	Hour Meter & Wiring-----	ZEO6583 W KNC
67	Motor Generator Wiring-----	ZEO6583 W KNC
68	Motor Generator Fuel Hose-----	ZEO6583 W KNC

AUDIT
1K3-68

SYMBOL (Instruction) - (B) 	HAND (Inspection) - (B)	DATE 1/1975	STM	DIVISION ELECTRICAL SYSTEMS	AUTH [Signature]	DR [Signature]	CR [Signature]	DEPARTMENTS BODY	1978 TRUCK	BOOK 70	
TITLE INDEX									NAME BODY	DIVISION/UPC 1	SHEET J

GMT 922 1 75

UPC 1K3 ELECTRICAL CONV. ITEMS ZEO6581


Slit.	Title	Restrictions:
1	Harn. Asm. LH Frt. Upr. 12V	
2	Harn. Asm. LH Frt. Lwr. 12V	
3	Harn. Asm. LH Ctr. Upr. 12V	
4	Harn. Asm. LH Ctr. Lwr. 12V	
5	Harn. Asm. LH RR Upr. 12V	
6	Harn. Asm. LH RR Lwr. 12V	
7	M.G. Batt. Enclosure-----	W KNC
8	Harn. Asm. M.G. Compt. RR 12V	
9	Harn. Asm. Thermostat 12V	
10	Harn. Asm. Stove 12V	
11	Harn. Asm. RR Floor Lamp. 12 V	
12	Harn. Asm. Roof Ctr. 12V	
13	Harn. Asm. RH Frt. Upr.	
14	Harn. Asm. RH Ctr. Upr. 12V	
15	Harn. Asm. RH Ctr. 12V	
16	Harn. Asm. RH RR. Upr. 12V	
17	Harn. Asm. RH RR. Lwr. 12V	
18	Harn. Asm. Water Pump Break Out 12V	
19	Harn. Asm. Water Tank Sender 12V	
20	Harn. Asm. Switch Panel 12V	
21	Harn. Asm. Monitor Pnl. 12V	
22	Harn. Asm. Refrigerator Module 12V	
23	Harn. Asm. Refrigerator Module 12V	
24	Harn. Asm. Courtesy Lamp Switch 12V	

UPC 1K3 (Cont'd)

Slit.	Title	Restrictions:
25	Harn. Asm. - Refrigerator 12V & 110 V	
26	Harn. Asm. L. P. G. Compartment 12V	
27	Harn. Asm. - Front A C (Prewire)	
28	Harn. Asm. A C (Prewire)	
29	Harn. Asm. - Rear A C -----	W CNV UNR
30	Wiring Instructions - A C -----	W CNL CNV
31	Lamp Asm. - Hall & LH Overhead	
32	Lamp Asm. - Bath	
33	Lamp Asm. - Reading	
34	Lamp Asm. - Floor	
35	Under Cabinet Lamp	
36	Converter Asm.	
37	Harn. Asm. - LH Front	110V
38	Harn. Asm. - RH Front	110V
39	Harn. Asm. - LH Central	110V
40	Harn. Asm. - LH Ctr. Lwr.	110V
41	Harn. Asm. LH RR. Upr.	110V
42	Harn. Asm. LH RR Lwr.	110V
43	Cord Box Asm.	
44	Receptacle - Pwr. Cord Storage Box	110V
45	Stove Vent Asm.	

(UPC 1K3 ZEO 6581 Cont'd on Sheet 31)

AUDIT
1K3 - 62

DYNABIT Installation (10)	HAND Inspection (15)	DATE	SYM	REVISION	AUTH	DR	CR	DEPARTMENTS	'78 TRUCK	BOOK 70	
		7/11/77		ORIGINAL RELEASE	77	77			INDEX		
								NAME	DIVISION/UPC	WELL	
								BODY	1	H	



GMT 922 1 75

UPC 1K6 - FINISH & FITTINGS

Sht.	Title	Restrictions:
1	Interior Trim Panel Lower-----	ZEO6581
2	Interior Trim Panels (RH Side)-----	ZEO6581
3	Interior Trim Panels (LH Side)-----	ZEO6581
4	Headlining-----	ZEO6581

UPC 1K7 PLUMBING (Cont'd)

Sht.	Title	Restrictions:
10	Water Purifier Asm. (Galley Module)-----	W VNT
11	Fresh Water Plumbing- Pipes to Roof Bow Clips	
12	Fresh Water Plumbing - Galley Module	
13	L. P. G. Tube Routing	
14	L. P. G. Tube & Tank Asm.	
15	L. P. G. Tube Clipping	
16	L. P. G. Tube Routing	
17	Fresh Water Tank Compartment	

UPC 1K7 PLUMBING ZEO6581

1	Sanitary Plumbing - Bath Module	
2	Sanitary Plumbing - Galley Module	
3	Fresh Water Plumbing - Bath Module	
4	Fresh Water Plumbing - Bath Module -----	W ANW
5	Fresh Water Plumbing - Tubes to Water Heater	
6	Fresh Water Plumbing - Shower Head Asm.	
7	Fresh Water Plumbing - Storage Tank	
8	Fresh Water Plumbing - Storage Tank Filler Asm.	
9	Fresh Water Plumbing - Pump & Filter Asm.	

DYNAMIC Installer	INS	MAND (Inspection)	105	DATE	SYM	REVISION	AUTH	DR	IN	DEPARTMENTS	'78 TRUCK	BOOK 70	
											TITLE		
											INDEX		
											NAME	DIVISION/UPC	SHEET
											BODY	1	L





GMT 922 8 74

UPC 1K8 KITCHEN

Qty	Title	Restrictions:
1	Sink Asm. -----	ZEO6581
2	Range Asm. -----	ZEO6581
3	Range Vent (Outside) -----	ZEO6581
4	Vacuum Cleaner (Built-in) -----	ZEO6581 W UNL
5	Vacuum Cleaner (Built-in) -----	ZEO6581 W UNL
6	REFRIGERATOR - Seal -----	ZEO6581
7	Galley Clock Asm. -----	W UNF
8	Microwave Oven -----	W UND. 685

UPC 1K9 CABINETS

Qty	Title	Restrictions:
1	Motor Home Cabinet Location ---	ZEO6581
2	Motor Home Cabinet Location ---	ZEO6581
3	Motor Home Cabinet Location ---	ZEO6584
4	Motor Home Cabinet Location ---	ZEO6584
5	Rear Overhead Cabinet -----	ZEO6581
6	Overhead Cabinet Front -----	ZEO6581
7	Overhead Galley Cabinet -----	ZEO6581
8	Refrigerator Module -----	ZEO6581
9	Galley Module -----	ZEO6581
10	Closet Module -----	ZEO6581
11	Overhead Cabinet -----	ZEO6584
12	Galley Module -----	ZEO6584
13	Bath & Shower Module -----	ZEO6584
14	Refrigerator Module -----	ZEO6584
15	Closet Module -----	ZEO6584
16	Overhead Galley Cabinet -----	ZEO6584
17	Heater Closure Instl. -----	ZEO6584
18	Dresser & RR Lwr. Trim Asm. ---	ZEO6584

AUDIT
1K8 - 8
1K9 - 18


SYMBOL	QTY	UNIT	P	NAME (Inspection)	INS	DATE	SYM	DIVISION	AUTH	DR	ED	DEPARTMENTS	78 TRUCK	BOOK 70
													TITLE	
													INDEX	
													NAME	
													BODY	
													DIVISION/UPC	
													SHEET	
													1	M

GMI 922 8/74

UPC 1K9A HOLDING TANK

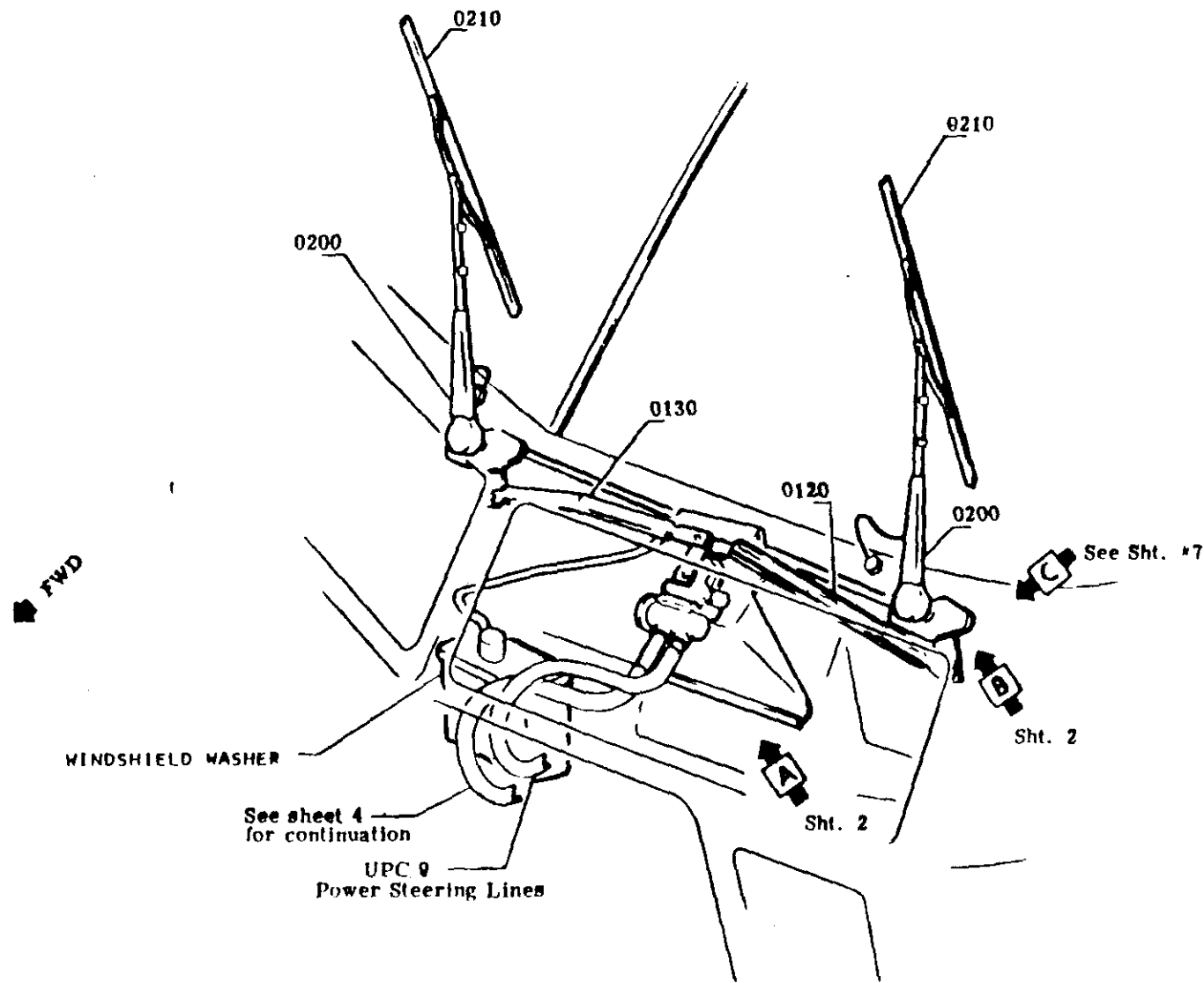
Sht.	Title	Restrictions
1	Holding Tank Sending Unit -----	ZEO6581
2	Holding Tank -----	ZEO6581
3	Drain Hose to Holding Tank & Body	ZEO6581
4	Sewer Hose Storage -----	ZEO6581

(AUDIT)
1K9A 4

DYNAMIC (Installation) LBS	MAINT (Inspection) LBS	DATE	SYM	REVISION	ITEM	DR	CR	DEPARTMENTS	'78 TRUCK	BOOK 70	
				SAVING R. 11/16/35					INDEX		
									BODY	DIVISION/UPC 1	SHEET N

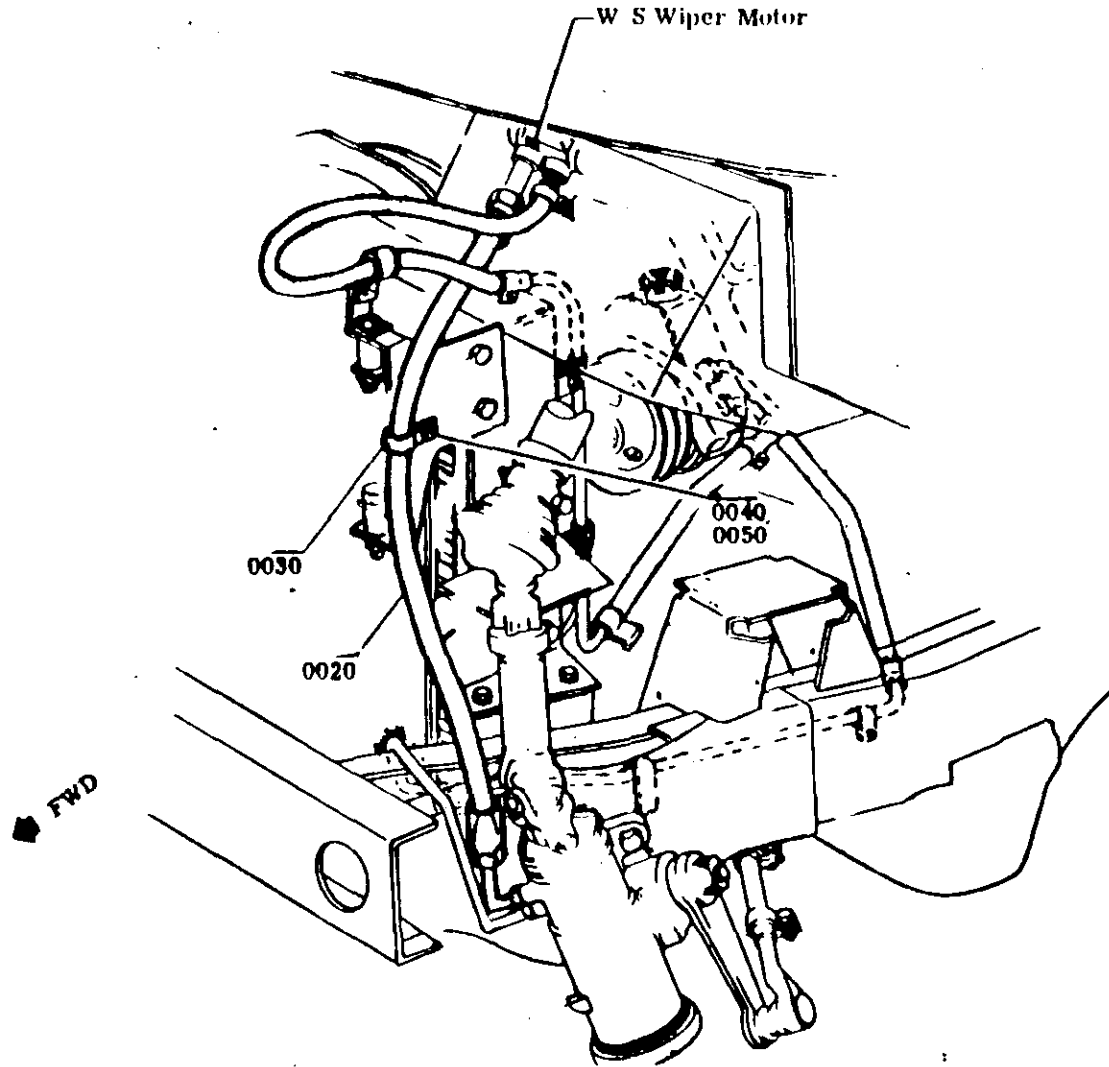
□ ITEM REFERENCE ◇ PROCESS MATERIAL ▲ TORQUE ▣ PART OF OR EXIST

922 1-73



SYNCH (Installation) - LOS	INSPECTION (Inspection) - LOS	DATE	SYM	REVISION	AUTH	DR	CL	DEPARTMENTS	TRUCK	BOOK
▲ ▲ ▲ ▲		6/8/77		ORIGINAL RELEASE	170X-10	10		THOMPSON	'78	70
									W/S WIPER & WASHER	
									1A2D	1

GMT 922 1-73



BY MAKE (Installation) - LBS	MADE (Inspection) - LBS	DATE	SYM	REVISION	AUTH	DR	SE	DEPARTMENTS
				ORIGINAL INSTALL	4/70/10	J.		TRUCK DIVISION

1978 TRUCK **BOOK 70**

TITLE
W/S WIPER HYDRAULIC LINES

MAKE
W/S WIPER & WASHER

DIVISION
1A2D

SHEET
4



PRODUCT DESCRIPTION MANUAL

ASSEMBLY INFORMATION

GM 1001 REV. 9-78

ITEM NO.	PART OR TOOL DESCRIPTION	ADD'L DATA	QTY	PART NUMBER	ENGINE CODES	REMARKS	ITEM RESTRICTION	UNIT WEIGHT	CHANGE DATA	CHANGE MONTH	ENGINE CODE	FUNCTION CODE	ADDITIONAL CODES	QTY	UNIT WEIGHT
AA01014	WSW & WSWA		1	L3880				0782						99500	1.0
AA02014	WSW & WSWA		1	L3880				0702						11702	1.0
AA03014	1/P CSTR		1	L3853				0782						99500	1.1
AA04014	P/S & WSW MTR		1	L8513				0782						99512	1.1
AA04024	HYD LINE		1	L8513				0782							1.1
AA05014	P/S & WSW MTR		1	L8513				0754						11702	1.1
AA05024	HYD LINE		1	L8513				0754							1.1
AA06014	LUB CHT INSTL		1	MO10298				0782						99508	1.1
0010AA	MOTOR ASM WSW		1	715456				0782	42		0000420005			MO0600	1.0
0020AA	HOSE ASM		1	8071999				0752	68		0007680005			MO0610	1.0
0030AA	CLIP		1	2488392				0754	87		0000870005			MO0611	1.0
0040AA	CLIP		1	9417950				0754	87		0000870010			MO0612	1.0
0050AA	BOLT		1	9422279				0754	87					00613	1.0
0060AA	WASHER 70:145 IN LBS		1					0754	87						1.0
0070AA	BRKT WSW MTR		1	790483				0782	42		0000420010			MO0700	1.0
0080AA	BOLT		1	9417950				0782	42					00800	1.0
0090AA	WASHER 70:90 IN LBS		1					0782	42						1.0
0100AA	WASHER		3	103320				0782	42					00900	1.0
0110AA	BOLT		4	126216				0782	42					01000	1.0
0120AA	WASHER		4	103320				0782	42					01100	1.0
0130AA	NUT 70:95 IN LBS		4	9417954				0782	42					01200	1.0
0140AA	ARM ASM WSW LH		1	699112				0782	42		0000420015			MO2300	1.0
0150AA	ARM ASM WSW RH		1	699113				0702	7		REPRC0000070030			MO2400	1.0
0160AA	BRACKET LH PIV		1	698177				0782	42		0000420025			MO0500	1.0
0170AA	BRACKET RH PIV		1	698178				0702	7		0000070035			MO2600	1.0

ZEO6X00

MODEL APPLICATION
W/S WIPER & WASHER PARTS
UPC DESCRIPTION

MODEL YEAR 1978
ISSUE DATE 770711
LAST CHG DATE 770801
LAST CHG MOORE PRC
70 1A20 1

REFERENCE

PRODUCT DESCRIPTION MANUAL

ASSEMBLY INFORMATION

GMT 1081 REV 5/78

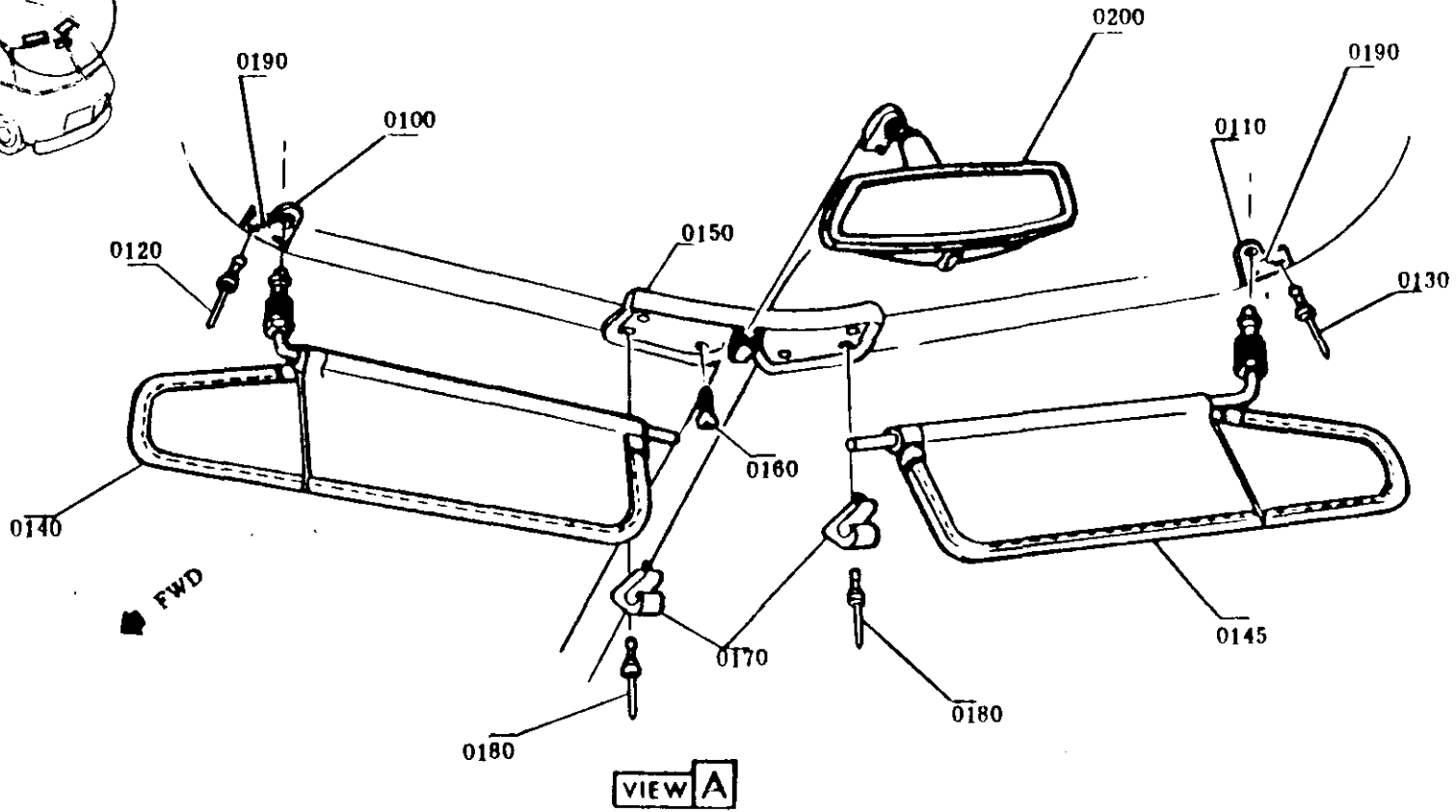
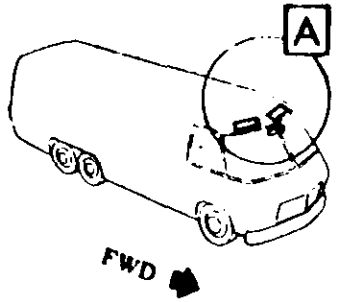
GM TRUCK & COACH

ITEM	PART OR TOOL DESCRIPTION	ADD'L DATA	QTY	PART NUMBER	ENGINE CODES	REFS	REV	ITEM RESTRICTION	DEPARTMENTS #1	DEPARTMENTS #2	CHANGE NO	LOGIC CODE	FUNCTION CODE	ADDITIONAL CODES	INA	LINE NO
0160AA	BOLT		4	9417950					0782	42					02700	1.5
0160AB	95:120 IN LBS								0782	42						1.5B
0165AA	BOLT		4	9417950					0702	7				02700	2.1	
0165AB	95:120 IN LBS								0702	7						2.2
0170AA	WA LK		4	103320					0782	42					02800	2.4
0175AA	WA LK		2	103320					0702	7				02800	2.6	
0180AA	RIVNUT		6	2273809					0702	5					02900	2.8
0190AA	SCREW		4	9421033					0782	42					03000	2.10
0195AA	SCREW		2	9421033					0702	7				03000	2.1A	
0200AA	ARM ASM BLADE		2	712873					0782	49		000049005			M03800	2.14
0210AA	BLADE ASM WSW		2	699116					0782	49		000049010			M03900	2.16
0220AA	CONTROL ASM WSW		1	699111					0782	42		000042035			M04600	2.18
0230AA	PLATE ASM		1	697216					0782	42		000042034			M04610	2.20
0240AA	SCREW		2	9416684					0782	44					04620	2.22
0250AA	WASHER		2	138473					0782	44					04625	2.24
0260AA	NUT		2	134530					0782	44					04630	2.26
0270AA	BUTTON WSW		1	699118					0782	44		000044005			M04700	2.28
0280AA	WASHER ASM		1	699119					0782	44		000044010			M04700	2.30
0290AA	STRAP WSWA		1	610165					0702	7		000007004			M1332	2.32
0300AA	SCREW		2	9417854					0782	42					02900	2.34
0310AA	CONN ASM		2	699104					0782	42		000042050			M07900	2.36
0320AA	YEE		1	1378160					0782	42		000042055			M08200	2.38
0330AA	HS WSW NOZ		1	1357884					0782	42		000042060			M08600	2.40
0340AA	HS LH PMP-NOZ		1	1379312					0782	42		000042065			M08700	2.42
0350AA	HS RH PMP-NOZ		1	1376524					0782	42		000042070			M08800	2.44
0360AA	SOLVENT WSWA		4	9985124					0782	42					11800	2.46

1	REFERENCE	7E06X00	MODEL YEAR IS 78
2			ORIGIN DATE 770711
3			LAST CHG DATE 770801
4			LAST CHG CODE REPRC
5			70 1A20 A 2
F.M.V.S.S.		MODEL APPLICATION W/S WIPER & WASHER PARTS	BR. U. P. C. 3MP PAGE
		UPC DESCRIPTION	



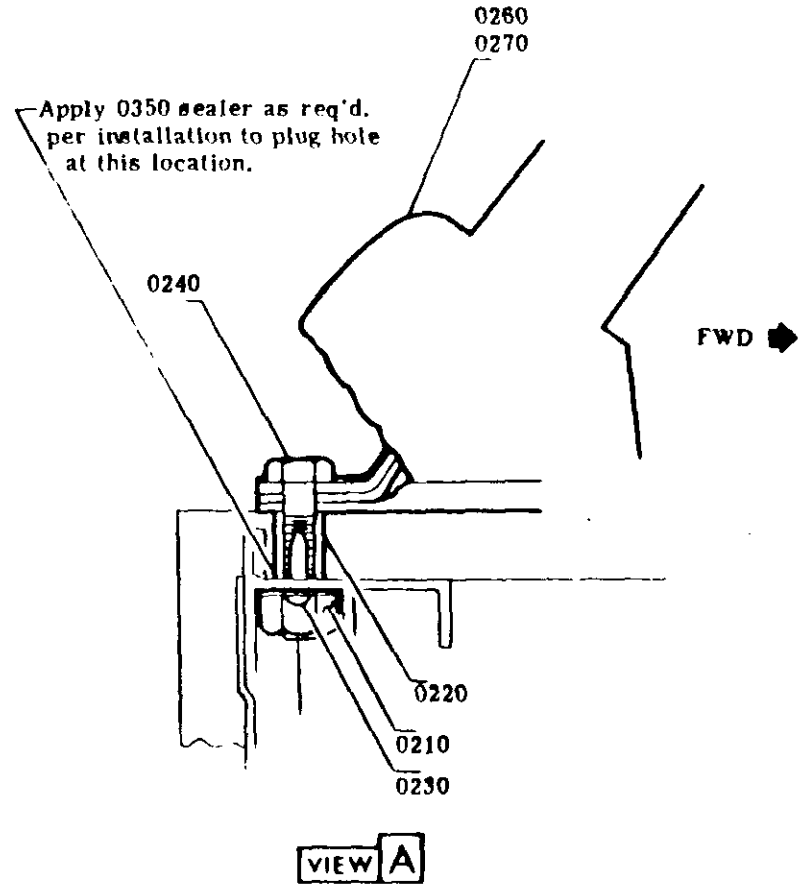
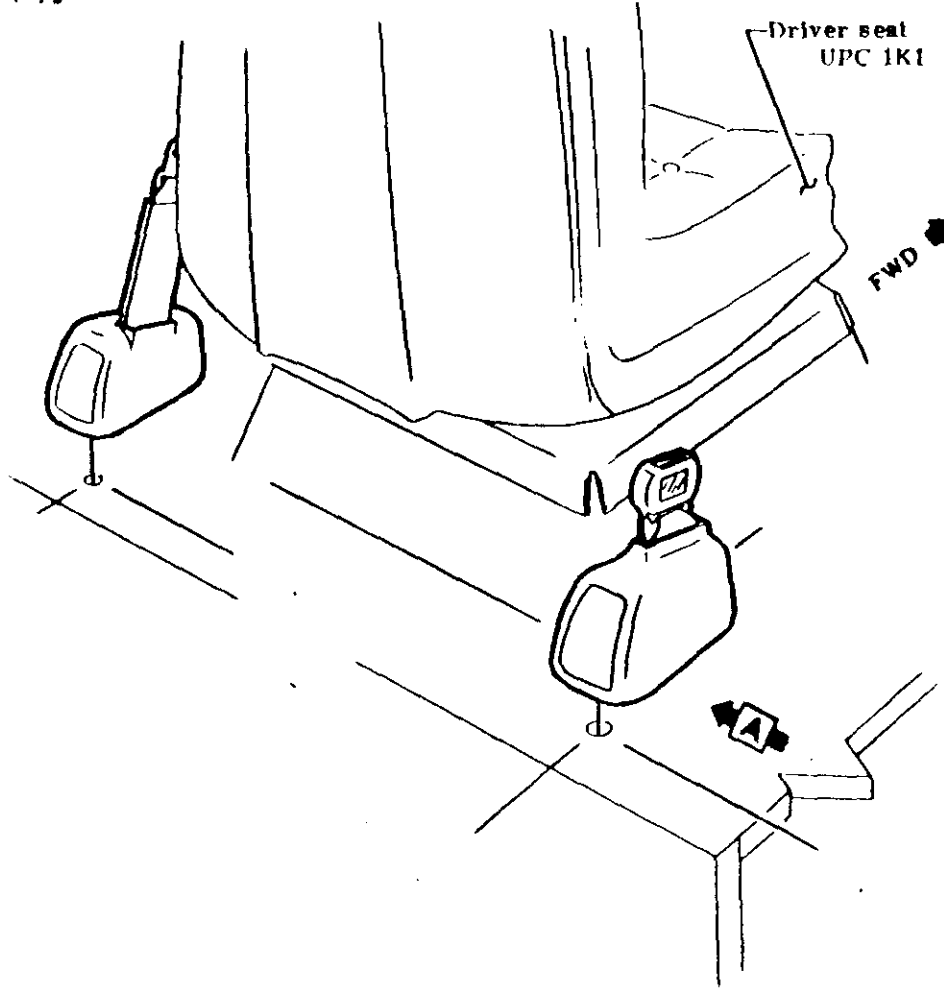
GMT 922 1/75



DYNAMIC (Installation) - LBS	STATIC (Inspection) - LBS	DATE	SYM	REVISION	AUTH	DR	CR	DEPARTMENTS
		7/77		ORIGINAL RELEASE	47000			THOMPSON

78 TRUCK		BOOK 70	
TITLE SUNSHADE ASM.			
MAKE BODY MISC. PARTS	DIVISION/UPC 1A2E	SHEET 2	

GMI 1-73



Driver & Passenger Seat Instl.
Symmetrical about ϵ
(Driver Seat shown typical)

DYNAMIC (Installation) - LBS	RAWD (Inspection) - LBS	DATE	SYM	REVISION	AUTH	DR	CR	DEPARTMENTS	TITLE
▲ ▲ ▲ ▲ ▲		4/27		ORIGINAL RELEASE	47000	J		TRUCK	DRIVER & PASS. SEAT BELT
									ZE06083, ZE06583
								BODY	DIVISION
								MISC.	1A2E
								PARTS	SHEET 4

ITEM QTY	PART OR TOOL DESCRIPTION	ADD L DATA	QTY	PART NUMBER	ENGINE CODES	SERIES	BODY BRK	ITEM RESTRICTION	DEPARTMENTS		CHANGE		LOGIC CODE	FUNCTION CODE	ADDITIONAL CODES	LINE NOS
									#1	2/STA	CD	AUTH				
AAL0014	SUN VISOR INSTL		*	L3872					0782						99512	1.0
AAL2014	DR L PASS SEAT		*	L6776			81	STD/641/697/698	0782						99516	1.10
AAL3014	DR L PASS SEAT		*	L4216			83		0782						99516	1.11
AAL3014	MIRROR MOUNT		*	L2977					0782						99516	1.12
AAL4014	U/S KR VIEW MIR		*	L5022					0782						99519	1.15
AAL4014	STUDY								0782							1.16
AAL5014	FRT RESURF L W/S		*	L2968					0782						99520	1.18
AAL6014	FRT STRUCT &		*	L7856					0704						99546	1.20
AAL6024	STRG COL SUPT								0704							1.21
AAL7014	U/S KR VIEW		*	L9036					0782						99503	1.23
AAL7024	MIRROR INSTL								0782							1.24
AAL8014	LIGHTED S/S INST		*	L8893				064	0782						99551	1.26
AAL9014	FRT HF WAG HARN		*	MD16421				064	0782						99552	1.28
AA10014	DR L PASS SEAT		*	L6776			81	STD/641/697/698	0784						99516	1.30
AA10024	DR L PASS SEAT		*	L4216			83		0784						99516	1.31
AA11014	DR L PASS SEAT		*	L6776			81	STD/641/697/698	0786						99516	1.33
AA11024	DR L PASS SEAT		*	L4216			83		0786						99516	1.34
AA12014	FRT STRUCT &		*	L7856					0704						99546	1.36
AA12024	STRG COL SUPT								0704							1.37
CG10AA	REINF MIR O/S LH		1	2005963					0704	9		000009005			M08450	1.35
CG15AA	REINF MIR O/S RH		1	2006416					0704	9		0000090010			M08480	1.41
CG30AA	ADHESIVE	AS REQD	*	6860766					0704	9					68607	1.43
CG40AA	NUT ARM BOLT		8	131554					0704	9					07100	1.45
CG50AA	GASKET O/S MIR		2	701842					0782	49		0000490015			M06430	1.47
CG60AL	MIRROR ASM O/S		2	704161					0782	49		0000490020			M00160	1.49
CG70AA	RETAINER ARM BLY		8	1494981					0782	49		0000490025			M07150	1.51
CG80AA	WASHER BOLT MIR		8	426759					0782	49					01100	1.53
CG90AA	GASKET BOLT		8	3698850					0782	49					01200	1.55
CG10AA	GASKET ASM S/S LH		1	696150					0704	9		0000090015			M08600	1.57
ALL									MODEL YEAR 1978 ORIGIN DATE 770711 LAST CHG DATE LAST CHG CODE							
MODEL APPLICATION BODY MISCELLANEOUS PARTS									70 1A2E A 1 BK U P C DRP PAGE							
REFERENCE									UPC DESCRIPTION							

PRODUCT DESCRIPTION MANUAL

ASSEMBLY INFORMATION

GMT 1081 REV 8/78

GM TRUCK & COACH

ITEM NO	PART OR TOOL DESCRIPTION	ADD'L DATA	QTY	PART NUMBER	ENGINE CODES	SERIES	BODY	ITEM RESTRICTION	DEPARTMENTS		CHANGE CD	LOGIC CODE	FUNCTION CODE	ADDITIONAL CODES	FNA	LINE NOS
									#1	#2 STA						
0110AA	BRKT ASM S/S RH		1	696149					0704	9		0000090020		M08900	1.5	
0120AA	RIVET		4	700368					0704	9				090000	2.2	
0130AA	RIVET		4	700368					0704	9					2.4	
0140AA	SUNSHADE ASM LH		1	689608					0782	44		0000440015		M09300	2.6	
0145AA	SUNSHADE ASM RH		1	689608			-D64		0782	44		0212440020	M	09400	2.8	
0145AH	SUNSHADE ASM RH		1	2020477			D64		0782	48		0213480005	M	19000	2.9	
0150AA	BRKT ASM MTG		1	702582					0782	40		0000400005		M09500	2.1	
0151AA	NOTE: ITEM #0155 AND 0156 ARE PART OF ASM ITEM #0150.								0782	40					2.1	
0155ZA	BRKT		1	702583					0782	40				C1270	2.15	
0155ZB	BRKT		2	702584					0782	40				0115Z	2.1	
0160AA	SCREW BRKT MTG		2	796748					0782	43				090000	2.15	
0170AA	CLIP S/S SUPT		2	325505					0782	40		0000400010		M10000	2.2	
0180AA	RIVET CLIP BRKT		2	708648					0782	40				10220	2.2	
0190AA	ADHESIVE CKETH		4	8660766					0782	43				10250	2.25	
0200AA	MIRROK ASM I/S		1	911722					0782	40		0000400015		M06700	2.27	
0210AA	PLATE ASM		4	701809					0702	7		0000070005		M11400	2.25	
0220AA	WASHER PLATE		4	2436167					0786	80				11010	2.31	
0230AA	SCREEN PLATE		8	9414726					0702	7				11500	2.33	
0240AA	BOLT PLATE		4	711850					0786	80				11600	2.35	
0240AB	35:45 FT LBS								0786	80					2.36	
0250AA	COMPOUND RET	AS REQ	4	9985115			81		0786	79				11550	2.38	
0250AB	COMPOUND RET	AS REQ	4	9981074			83		0786	79				11625	2.39	
0260AA	BELT ASM DR		1	717301			83		0786	80		0000805005		M10500	2.43	
0270AA	BELT ASM PASS		1	717302			83		0786	80		0000805010		M14700	2.43	
0350AA	SEALER		4	33056			83		0702	7				11830	2.45	

1	REFERENCE	ALL	MODEL YEAR 1978
2		MODEL APPLICATION	ORIGIN DATE 770711
3		BODY MISCELLANEOUS PARTS	LAST CHG DATE
4		UPC DESCRIPTION	LAST CHG CODE
5		FMVSS	7C 1A2E A 2



PRODUCT DESCRIPTION MANUAL

ASSEMBLY INFORMATION

17 1061 REV. 8/78

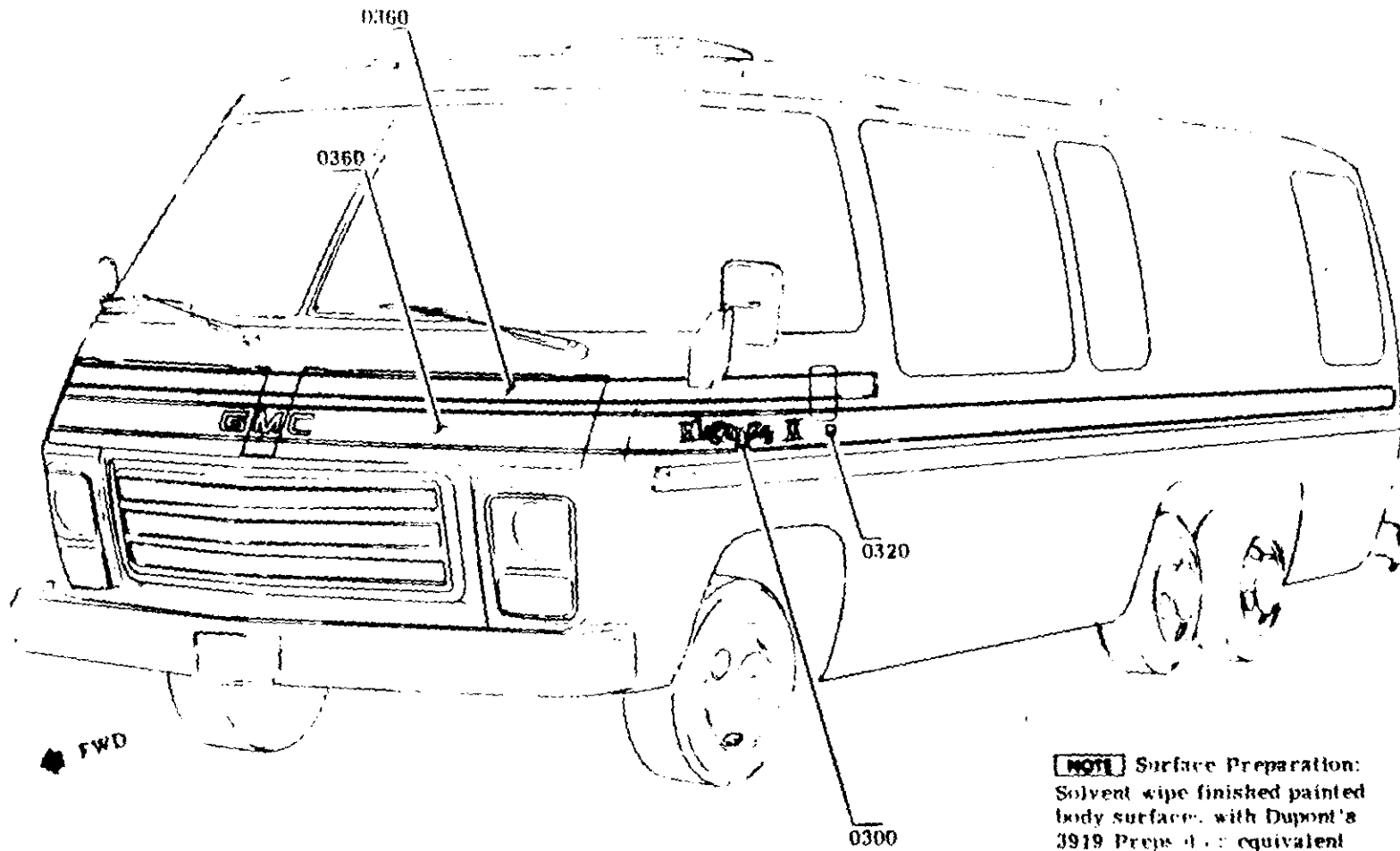
GMC TRUCK & COACH

ITEM	S E Q	P V S	OR TOOL DESCRIPTION	ADD'L DATA	Q T Y	PART NUMBER	ENGINE CODES	SERIES	BOY PPK	EM RESTRICTION	DEPARTMENTS		CHANGE		LOGIC CODE	FUNCTION CODE	ADDITIONAL CODES	PNA	S
											#1	2/STA	CD	AUTH					
0360AA			RETR BELT LA		1	2010352			641		0786	80			3477805015	M		10900	2.47
0360AC			RETR BELT LR		1	790384			697		0786	80			3461805015	M		10900	2.48
0360AE			RETR BELT LR		1	2000674			698		0786	80			3484805015	M		10900	2.49
0360AF			RETR BELT LR		1	2027539			685		0786	80			6037805015	M		10900	2.50
0370AA			RETR BELT PASS		1	2010358			641		0786	80			3477805020	M		11000	2.51
0370AC			RETR BELT PASS		1	790382			697		0786	80			3461805020	M		11000	2.53
0370AE			RETR BELT PASS		1	2000675			696		0786	80			3484805020	M		11000	2.54
0370AF			RETR BELT PASS		1	2027540			685		0786	80			6037805020	M		11000	2.55

MODEL APPLICATION	BODY MISCELLANEOUS PARTS	UPC DESCRIPTION	MODEL YEAR 1978
			ORIGIN DATE 770711
REFERENCE	ALL		LAST CHG DATE
			LAST CHG CODE
			70 1A2E A 3
			BK U. P. C. GRP PAGE

GMT 900 1-73

□ DIMENSIONS ◇ POINTS △ VERT. OR HOR. LINES



NOTE Surface Preparation:
Solvent wipe finished painted
body surface, with Dupont's
3919 Prep or equivalent
prior to installation of decals
and decorative stripes.

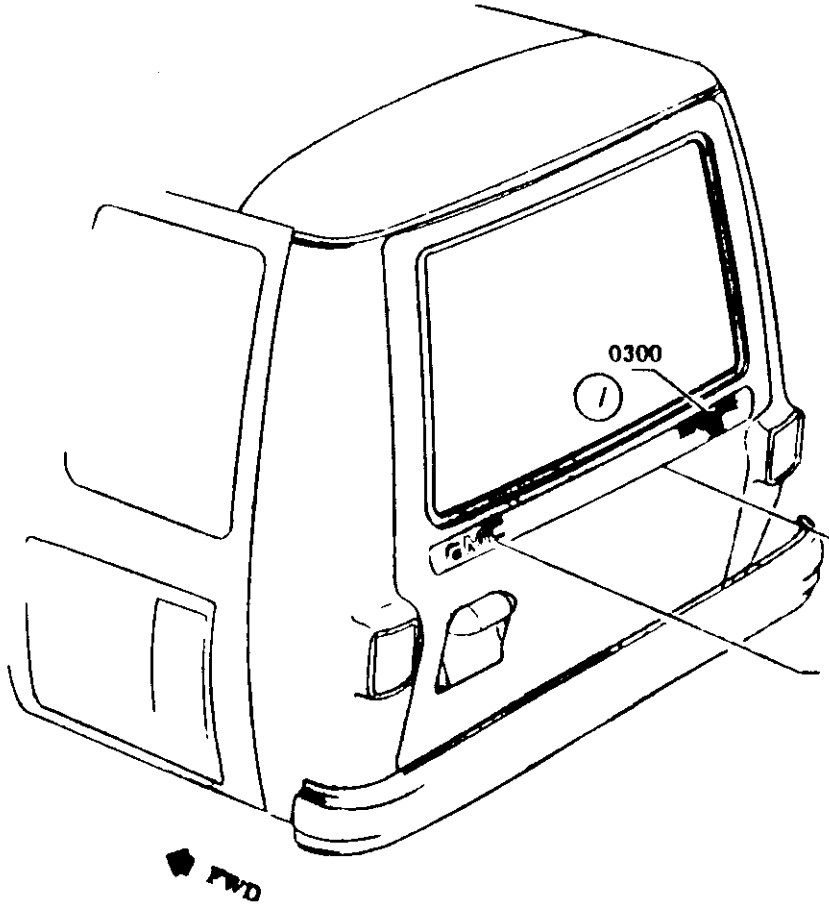
DYNAMIC (Installation) - (85)	REWORK (Inspection) - (85)	REV	SYN	REVISION	AUTH	BY	DATE	DEPARTMENT
△		1		ORIGINAL RELEASE	W.P.O.	J.S.P.	11/27/73	
△		2		REVISION TO CORRECT DECAL PLACEMENT	W.P.O.	J.S.P.	12/27/73	
△								
△								
△								
△								

700 TRUCK **BOOK 70**

DECALS L/H SIDE
Z/E 06581

NAME: EXTERIOR BODY ORNA. DIVISION: **1A2F** SHEET: **5**

EMI 922 1-73



Decal part of 0360 kit

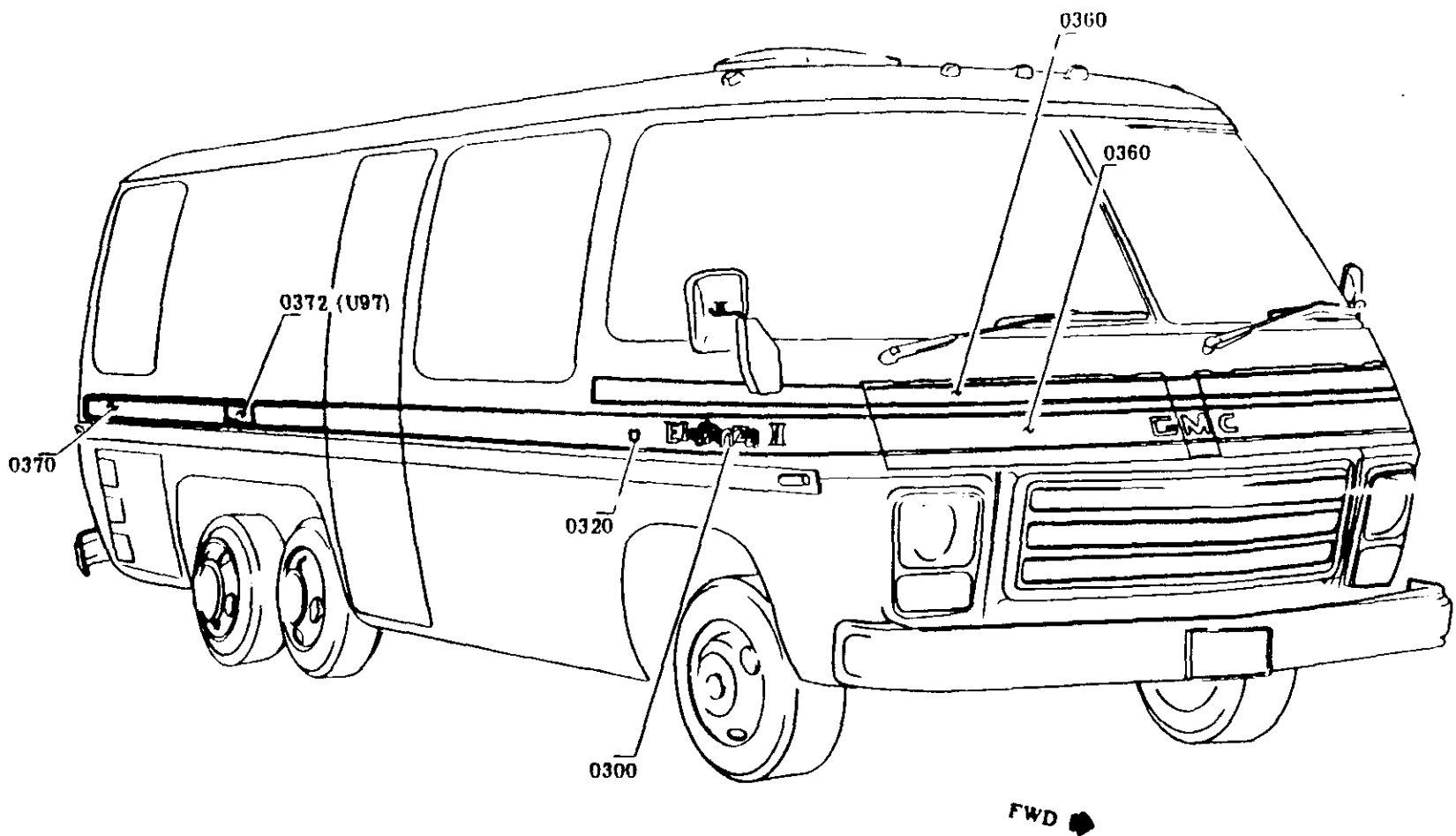
Name Plate
UPC 11

▲ FWD

SYMBOL (Installation) - (LPS)	REVISION	DATE	SYM	BY	CHK	APP	DEPARTMENT
▲	ORIGINAL RELEASE	2-1-77					THOMPSON
	ITEM 0300 ADDED	2-5-77	1				TRESSEL
▲							
▲							
▲							
▲							

78 TRUCK		BOOK 78	
TITLE DECALS - REAR END ZE 06581			
GROUP EXTERIOR BODY ORNA.	OFFICER LASF	SHEET 6	

CME 922 1/75



SYMBOL (Installation) - 1/85	SYMBOL (Inspection) - 1/85	DATE	SYM	REVISION	AUTH	DR	CR	DEPARTMENTS	TRUCK	BOOK 70
▲		12/5/77		ORIGINAL RELEASE	KOBB	DR	CR	TRESSER	DECALS-RH SIDE	
▲									ZEO6581	
▲									EXTERIOR	
▲									BODY ORNA.	7

PRODUCT DESCRIPTION MANUAL

ITEM	QTY	PART OR DESCRIPTION	ADDL DATA	QTY	PART NUMBER	ENGINE CODES	SERIES	BOY DRK	ITEM RESTRICTION	INSTALLATION INFORMATION				ADDITIONAL CODES	PMA	QTY
										REPLACEMENTS	CHANGE	LOGG	INSTR			
NO.	UNIT	CD	AUTH	CODE												
202014		UPR TR MCL		*	L385					0704					94502	1.1
202044		LWR FRT SUNR		*	L2974					0702					94511	1.1
202064		RR SUBE & STRUCTURE		*	L3863					0702					94512	1.1
204014		RUB RAIL & INST		*	L7857				81STD/VNWB02	0702					94513	1.1
204044		DECAL & LMB		*	L9747		65		534/553/558/595/561	0702		03836			94503	1.1
204064		RR MCL UPR SKIRT		*	L6907				158	0704					94507	1.1
2001AA		RAIL BELT		2	2007981					0704	10		CCCC10005		MC1824	1.20
2002AA		RAIL BELT		2	2007982					0704	10		0000100010		MC1824	1.20
2003AA		SEAL BELT RAIL		4	2006158					0704	10		0000100015		MC1825	1.30
2004AA		SEAL BELT RAIL		2	2006157					0704	10		0000100020		MC1825	1.30
2005AA		SCREW BELT RAIL		4	9423437					0704	10				MC1844	1.30
2006AA		SCREW BELT RAIL		12	156026					0704	10				MC1844	1.30
2007AA		ADHESIVE	AS REQD	12	2226070					0704	10				MC1855	1.35
2008AA		ADHESIVE	AS REQD	*	8860766					0704	10				MC1865	1.40
2009AA		RAIL RUB RH FRT		1	2008160		65			0702	38		0000380005		MC1940	1.44
2010AA		RAIL RUB RH FRT		1	2008162		60			0702	38		0000380005		MC1940	1.44
2011AA		RAIL RUB RH RR		1	2008159		65			0702	38		0000380010		MC1920	1.44
2012AA		RAIL RUB RH RR		1	2008164		60			0702	38		0000380010		MC1920	1.44
2013AA		RAIL RUB LH FRT		1	2008164		65			0702	38		0000380015		MC1910	1.44
2014AA		RAIL RUB LH FRT		1	2008165		60			0702	38		0000380015		MC1910	1.44
2015AA		RAIL RUB LH RR		1	2008163					0702	38		0000380020		MC1905	1.50
2016AA		RAIL RUB RH RR		1	2008166					0702	38		0000380025		MC1930	1.50
2017AA		SCREW RUB RAIL		14	2006755					0702	38	03836			MC1950	1.50

2E06X00

MODEL YEAR 1978

ORIGIN DATE 770712

LAST CHG DATE 770818

LAST CHG CODE 3828

MODEL APPLICATION

EXTERIOR BODY ORNAMENTATION

UPC DESCRIPTION

TU 1A2F A 1

BR U. P. C. ORP PAGE

F.M.V.B.E.

REFERENCE

PRODUCT DESCRIPTION MASTER

ASSEMBLY INFORMATION

ITEM DESCRIPTION	QTY	UNIT	ITEM DESCRIPTION	QTY	UNIT	ITEM DESCRIPTION	QTY	UNIT	ITEM DESCRIPTION	QTY	UNIT	ITEM DESCRIPTION	QTY	UNIT
0150AA MOLDING	2		702282	65		0704	16		0000160005			M02100	1.57	
0150AC MOLDING	2		702283	60		0704	16		0000160005			M02100	1.58	
0160AA SCREW	54		2008764	65		0704	16					02130	2.1	
0160AC SCREW	46		2008764	60		0704	16					02130	2.2	
0180AA CAP MLDG FRT END	2		703656			0704	16		0000160010			M02200	2.4	
0200AA CAP MLDG RR END	2		703657			0704	16		0000160015			M02400	2.6	
0210AA SEALER	1		8861061			0704	16						2.8	
0220AA GASKET END CAP	2		2009163			0704	16		0000160020			M05020	2.10	
0230AA GASKET END CAP	2		2009164			0704	16		0000160025			M05020	2.12	
0300AA DECAL PALM BEACH	3		2001763			01375E41P6698	0758	100	D38383678105090	M		05150	2.14	
0300AC DECAL KINGSLEY	3		2015712			01365E39P6641	0758	100	3681105090	M		05125	2.15	
0300AE DECAL ELEG II	3		793159			01355E38P6697	0758	100	3684105090	M		05500	2.16	
0320AA DECAL GMC	2		793160			01355E38P6697	0758	100	3684105095	M		05200	2.18	
0320AC DECAL GMC	2		793160			01365E39P6641	0758	100	3681105095	M		05200	2.19	
0320AE DECAL GMC	2		2001764			01375E41P6698	0758	100	3678105095	M		05200	2.20	
0360AA KIT ASM DECAL	1		2032787			01355E38P6697	0758	100	3684105100	M		05400	2.22	
0360AB KIT ASM DECAL	1		2032786			01365E39P6641	0758	100	3681105100	M		05400	2.23	
0360AC KIT ASM DECAL	1		2032788			01375E41P6698	0758	100	3678105100	M		05400	2.24	
0370AA DECAL,RR SI RH	1		2032244			01355-U97	0782	48	606226507480022	M		05420	2.26	
0370AB DECAL,RR SI RH	1		2032243			01365-U97	0782	48	606226556680022	M		05420	2.27	
0370AC DECAL,RR SI RH	1		2032245			01375-U97	0782	48	606226561480022	M		05420	2.28	
0370AD DECAL,RR SI RH	1		2032250			U97E355	0782	48	606221399480022	M		05420	2.29	
0370AE DECAL,RR SI RH	1		2032249			U97E365	0782	48	606226389480022	M		05420	2.30	
0370AF DECAL,RR SI RH	1		2032251			U97E375	0782	48	606226506480022	M		05420	2.31	
0372AA DECAL,ACC DR	1		2032253			01U97E355	0782	48	606221399480024	M		05440	2.33	
0372AB DECAL,ACC DR	1		2032252			01U97E365	0782	48	606226389480024	M		05440	2.34	
0372AC DECAL,ACC DR	1		2032254			01U97E375	0782	48	606226506480024	M		05440	2.35	
0400AA BRKY SKIRT MTG	2		793494			T58	0754	87	3677870015	M		05700	2.37	
0410AA BOLT MTG BRKY	2		9410022			T58	0754	87				05800	2.38	
0420AA WASHER	2		9421042			T58	0754	87				05900	2.41	
0430AA WA LK	2		138489			T58	0754	87				05900	2.43	
0440AA SKIRT WHL OPG	2		793495			T58	0705	22	3677220005	M		05600	2.45	

ZE06X00

MODEL APPLICATION

EXTERIOR BODY ORNAMENTATION

UPC DESCRIPTION

MODEL YEAR 78

ORIGIN DATE 770712

LAST CHG DATE 771020

LAST CHG CODE 0622

70 1A2F A 2
BK U P C GMP PAGE

REFERENCE

F.M.S.S

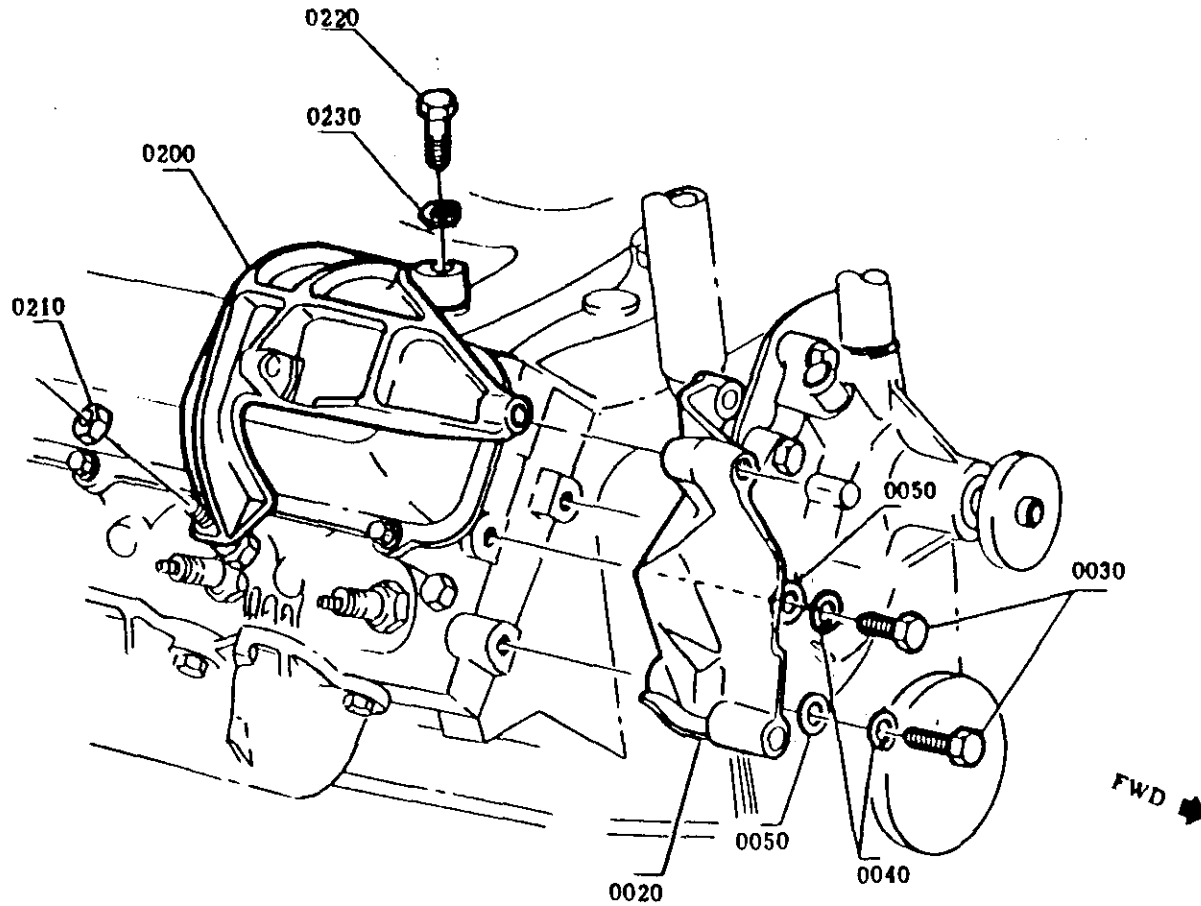
ITEM	EQ	PART OR TOOL DESCRIPTION	ADD'L DATA	QTY	PART NUMBER	ENGINE CODES	SERIES	BOY	B7PG	ITEM RESTRICTION	DEPARTMENTS		CHANGE		LOGIC CODE	FUNCTION CODE	ADDITIONAL CODES	LINE NOS	
											#1	2/STA	CD	AUTH					
0450AA		BOLT SKIRT/BRKT		4	0419004					T58	0754	07						06000	2.47
0460AA		WASHER		4	2436161					T58	0754	87						06020	2.49
0470AA		SC SK @ BODY		4	9417311					T58	0754	87						06040	2.51
0480AA		NUT SCREW		4	9433156					T59	0754	87						06030	2.53

P.M.V. 88.	REFERENCE	ED6X00	MODEL YEAR 1978
		MODEL APPLICATION	ORIGIN DATE 770712
		EXTERIOR BODY ORNAMENTATION	LAST CHG. DATE 770831
		UPC DESCRIPTION	LAST CHG. CODE 0622
			70 122F A 3
			BY U. P. C. GMP PAGE



□ ITEM REFERENCE ◇ PROCESS MATERIAL △ TORQUE ▣ PART OF OR EXISTING

GMT 922 1/75



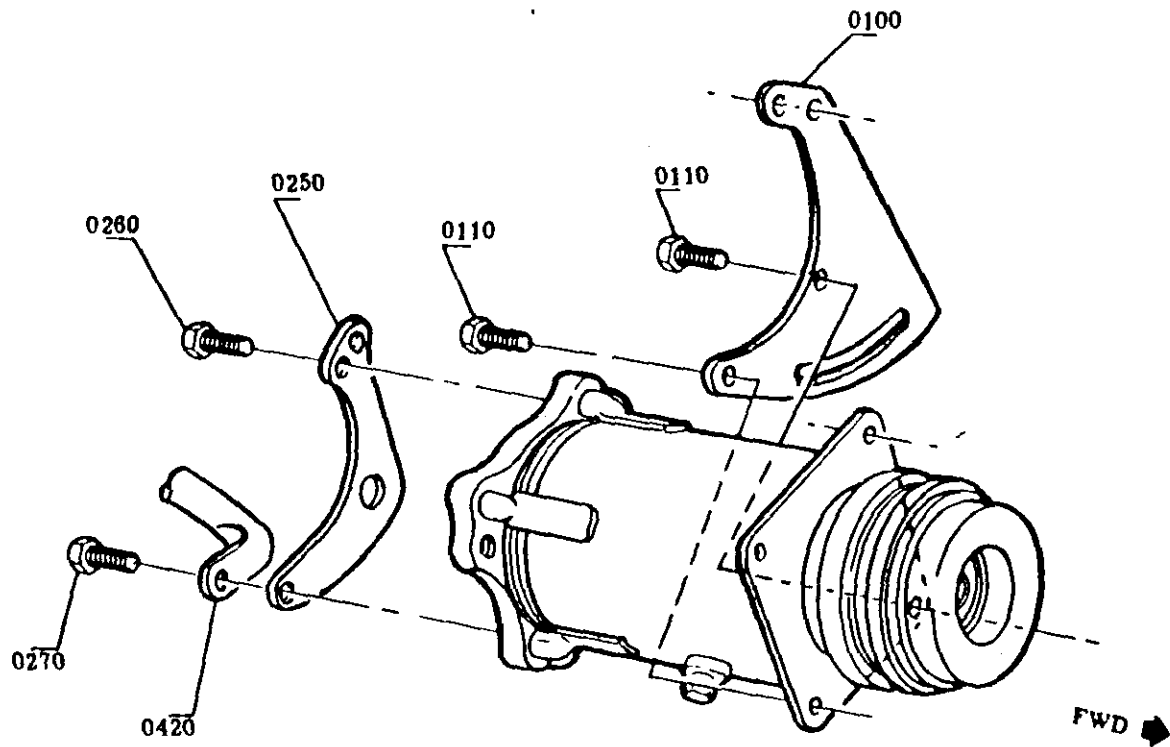
VIEW A

From Sht. #1

DATE	SYN	REVISION	AVTH	DR	CR	DEPARTMENTS	78 TRUCK	BOOK 70
6-22-77		ORIGINAL RELEASE	77000	2	2	ARMY GREEN	TITLE	
							AIR COMPRESSOR MOUNTING	
							DATE A/C	
							COMP. DRIVE & MTG. PARTS	
							DIVISION/PC	
							1A20	
							SHEET	
								2



GMT 922 1/73



VIEW B

From Sht. #1

DYNAMIC (Installation)-LBS	NAME (Inspection)-LBS	DATE	SYD	REVISION	AUTH	DR	CR	DEPARTMENTS	78 TRUCK	BOOK 70
△		6-27-77		ORIGINAL RELEASE	H. Z. RO	9-27	GRITH		TITLE	
△									AIR COMPRESSOR MOUNTING	
△									NAME A/C	DIVISION/LPC
△									COMP. DRIVE	1A26
△									MTG. PARTS	SHEET 3

ITEM	PART OR TOOL DESCRIPTION	ADD'L DATA	QTY	PART NUMBER	M O I D	ENGINE CODES	SERIES	DOY BRK	ITEM RESTRICTION	DEPARTMENTS		CHANGE		LOGIC CODE	FUNCTION CODE	ADDITIONAL CODES	LINE NOS
										#1	2/STA	CO	AUTH				
AAC100	MTR HSE & AIR		*	L8449						0752						99503	1.8
AAC102	COND INSTAL									0752							1.9
U01J4A	COMP ASM A/C		1	1131053						0752	63			0000630045		M00100	1.15
U02J4A	BRKT A/C COMP F		1	555287						0752	63			0000630050		M00505	1.17
U03J4A	BOLT BRKT F		2	9418822						0752	63					60760	1.19
U03J4B	2535 FT LBS									0752	63						1.20
U0352A	STUD FRT BRKT		1	557223						0752	63					00440	1.22
U04J4A	WA LR FRT EGLT		2	103321						0752	63					60762	1.24
U05J4A	WASHER EGLT		2	9421042						0752	63					60765	1.26
U10J4A	LINK COMP ADJ		1	352602						0752	63			0000630055		M00770	1.28
U11J4A	BOLT LINK LWR		2	161543						0752	63					60775	1.30
U11J4B	2535 FT LBS									0752	63						1.31
U12J4A	EGLT LINK UPK		1	161608						0752	63					60775	1.33
U12J4B	2535 FT LBS									0752	63						1.34
U13J4A	WA LR		1	103320						0752	63					60780	1.36
U14J4A	NUT 1525 FT LBS		1	120368						0752	63					60785	1.38
U20J4A	BRKT A/C COMPK		1	391366						0752	63			0000630060		M00805	1.40
U21J4A	NUT 2035 FT LBS		1	271505						0752	63					00806	1.42
U22J4A	BOLT BRKT/ENG		1	9418968						0752	63					00825	1.44
U22J4B	2535 FT LBS									0752	63						1.45
U23J4A	WA LR BOLT		1	103321						0752	63					00830	1.47
U25J4A	SOFT COMP RR		1	387582						0752	63			0000630065		M00910	1.49
U26J4A	BOLT SUPT/COMP		1	9418822						0752	63					00915	1.51
U26J4B	2535 FT LBS									0752	63						1.52
U27J4A	BOLT SUPT/COMP		1	9416994						0752	63					00915	1.54
U27J4B	BOLT SUPT/COMP		1	9418822						0752	63					00915	1.55
U27J4C	2535 FT LBS									0752	63						1.56

M.V.B.E.	REFERENCE	2E06X00	MODEL YEAR 1978
		MODEL APPLICATION A/C COMP DRIVE & MOUNTING PARTS	ORIGIN DATE 770712
		UPC DESCRIPTION	LAST CHG. DATE 770927
			LAST CHG. CODE
			70 1A2G A 1
			BE V. P. C. GPP PAGE

PRODUCT DESCRIPTION MANUAL

ASSEMBLY INFORMATION

GMT 1061 REV. 5/78



ITEM	QTY	PART OR TOOL DESCRIPTION	ADD'L DATA	QTY	PART NUMBER	ENGINE CODES	SERIES	BODY LINK	ITEM RESTRICTION	DEPARTMENTS		CHANGE AUTH	LOGIC CODE	FUNCTION CODE	ADDITIONAL CODES	PWA	QTY
										#1	#2						
0275AA	1	BOLT RR PIVOT		1	9410994					0752	63						2.0
0280AA	1	WA LK		1	103321					0752	63						2.1
0290AA	1	NUT 25:35 FT LBS		1	9437796					0752	63	01390					2.0
0350AA	1	BRACE COMP ADJ		1	398924					0752	63		0000630070				2.0
0400AA	1	WA LK BRACE		1	103320					0752	63						2.1
0370AA	1	NUT 20:25 FT LBS		1	9417954					0752	63						2.0
0330AA	1	BOLT BRACL/COMP		1	9416994					0752	63						2.1
0340AA	1	25:35 FT LBS		1						0752	63						2.1
0390AA	1	WA LK BR BOLT		1	103321					0752	63						2.1
0400AA	1	STRUT SUPT		1	555288					0752	63		0000630070				2.0
0410AA	1	WA LK		1	103320					0752	63						2.1
0410AA	1	NUT 20:25 FTW		1	9417954					0752	63						2.0
0420AA	1	NUT 25:35 FTW		1	9437796					0752	63	01390					2.0
0420AA	1	STRUT RR SUPT		1	553723			-NB4		0752	63		3910630080				2.0
0430AA	1	SPACER		1	413468			-NB4		0752	63		3910630085				2.0
0440AA	1	RASHER		1	9419276			-NB4		0752	63						2.0
0450AA	1	NUT 40:50 FTW		1	271505			-NB4		0752	63						2.0
0500AA	1	BELT COMP DR		1	9433670					0752	63		0000630070				2.0

1 2 3 4 5 6 7 8 9 10	ZE 06 X0U MODEL APPLICATION A/C COMP DRIVE & MOUNTING PARTS UPC DESCRIPTION	MODEL YEAR 76 ORIGIN DATE 170712 LAST CHG DATE 771010 LAST REV CODE 1290 70 1A25 A 2 DR U P C SHIP PAGE
REFERENCE		

ITEM	PART OR TOOL DESCRIPTION	ADD'L DATA	QTY	PART NUMBER	A/O/D	ENGINE CODES	SERIES	BOX SWK	ITEM RESTRICTION	DEPARTMENTS		CHANGE		LOGIC CODE	FUNCTION CODE	ADDITIONAL CODES	IA	LINE NO.
										#1	2/STA	CD	AUTH					
AA01014	HTR WRG INSTL		*	L6923						0782						99507	1.8	
AA02014	HTR A/C INSTL		*	L8449						0782						99514	1.10	
AA03014	HTR & DEF A/C		*	L6915						0754						99516	1.12	
AA03024	HOSE & OTLY									0754							1.13	
AA04014	A/C BFL INSTL		*	L8799						0782						99564	1.15	
AA05014	HTR WRG INSTL		*	L3875						0782						99507	1.17	
AA06014	HTR & A/C INSTL		*	L7854						0782						99514	1.19	
AA07014	HTR & DEF A/C		*	L6915						0782						99516	1.21	
AA07024	HOSE & OTLY									0782						99516	1.22	
AA08014	HTR & DEF A/C		*	L6915						0702	7					91516	1.24	
AA08024	HOSE & OTLY									0702	7						1.24	
0010AA	HEATER ASM		1	2022190						0702	7		0000	070045		M02402	1.27	
0020AA	BOLT HTR DA		7	9418822						0702	7						02100	1.29
0030AA	WA HTR BOLT		4	9421042						0702	7						02200	1.31
0040AA	WA LK		7	103321						0702	7						02300	1.33
0050AA	RIVNUT		2	2390834						0702	5						02350	1.35
0060AA	NUY HTR DA BOLT		4	120377						0702	7						02400	1.37
0070AA	BAFFLE ASM A/C		1	2019777						0702	7		0000	070050		M02404	1.39	
0071AA	NOTE: ITEM #0072 THRU #0076 ARE PART OF ASM #0070.									0702	7							1.41
0072ZA	REY BFL		1	2019779						0702	7						05359	1.43
0074ZA	SEAL REY		1	2019778						0702	7						06638	1.45
0076ZA	WIRE STCHG		*	R34740						0702	7						08375	1.47
0080AA	BAFFLE ASM LH		1	2022576						0702	7		0000	070055		M02405	1.49	
0081AA	NOTE: ITEM #0082 THRU #0086 ARE PART OF ASM #0080.									0702	7							1.51
0082ZA	REY LH BAFFLE		1	2022572						0702	7						08512	1.53
0084ZA	SEAL LH BFL		1	2022568						0702	7						08513	1.55
0086ZA	WIRE STCHG		*	R34740						0702	7						08375	1.57

P.M.V.B.B.	2E06X00										MODEL YEAR 1978							
											ORIGIN DATE 770712							
											LAST CHG. DATE 770801							
											LAST CHG. CODE RPRC							
										70 1A2H A 1								
										BK. V. P. C. QMP PAGE								

REFERENCES

MODEL APPLICATION
HEATER & A/C AIR SYSTEM PARTS
UPC DESCRIPTION

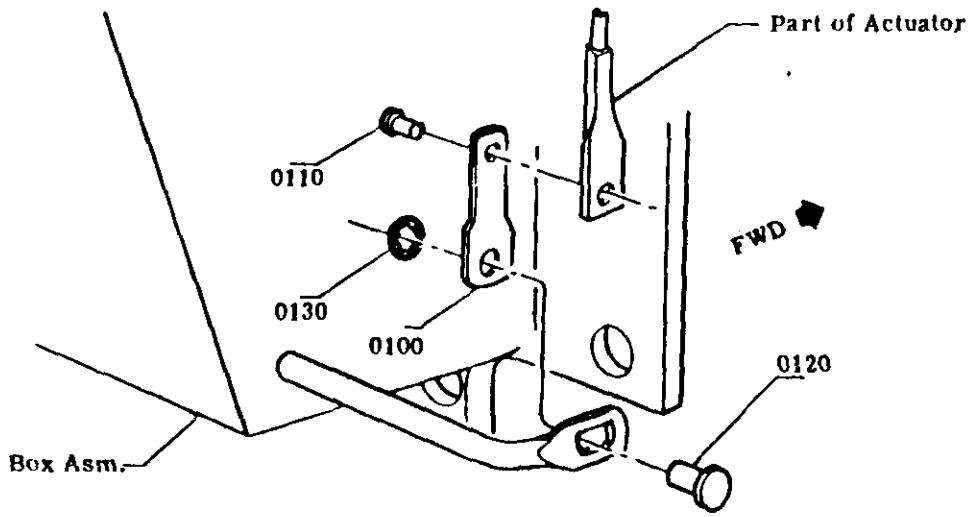


PRODUCT DESCRIPTION MANUAL
ASSEMBLY INFORMATION

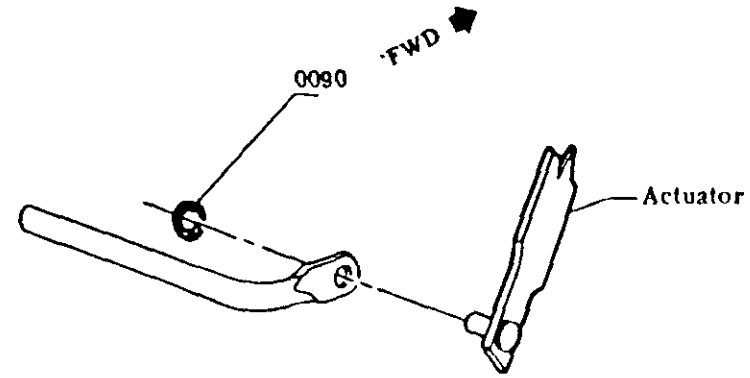
ITEM	E Q	PART OR TOOL DESCRIPTION	ADD'L DATA	QTY	PART NUMBER	ENGINE CODES	SERIES	DOY BRN	ITEM RESTRICTION	DEPARTMENTS		CHANGE		LOGIC CODE	FUNCTION CODE	ADDITIONAL CODES	LINE NOS.
										#1	2/5TA	CD	AUTH				
0090AA		SCR BFL/EVAP		1	9419303					0702	7					02408	1.59
0092AA		DEFLECTR AC WAT		1	2029334					0754	89	25373	0000	890005		02520	2.2
0090AA		RIVET DFL		2	700368					0754	89	25373				02530	2.4
0100AA		RAFFLE COND LWR		1	2022723					0754	87		0000	870175		02412	2.6
0102AA		NOTE: ITEM #0102, THRU #0108 ARE PART OF ASM #0100.								0754	87						2.8
0102ZA		RET LWR BFL		1	2022569					0754	87					08514	2.10
0102ZA		SEAL LWR BFL		1	2022569					0754	67					06515	2.12
0102ZA		RET LWR BFL		2	2022570					0754	87					08514	2.14
0102ZA		RET UPR BFL		1	2022571					0754	87					08515	2.16
0102ZA		WIRE STCHG		*	R 34740					0754	87					06375	2.18
0102AA		SCREW CNDSR BFL		7	9418235			83		0754	87					02414	2.20
0102AB		SCREW CNDSR BFL		3	9418235			81		0754	87					02414	2.21
0120AA		RAFFLE CNDSR SI		2	2022575					0752	69		0000	690200		02416	2.23
0120AA		NOTE: ITEM #0120, THRU #0126 ARE PART OF ASM #0120.								0752	69						2.25
0122ZA		RET SI BFL		1	2022574					0752	69					08510	2.27
0122ZA		SEAL		1	2022567					0752	69					08511	2.28
0122ZA		WIRE STCHG		*	R34740					0752	69					06375	2.31
0131AA		SCR SI BFL		4	9419303					0752	69					02418	2.33
0140AA		PLENUM HTR & A-C		1	2001435					0782	39		0000	390005		02500	2.35
0150AA		BOX DISTR		1	2003632					0702	7		0000	070060		02750	2.37
0160AA		DUCT DEFR		1	2005001			83		0702	7		0000	070065		02850	2.39
0160AB		DUCT DEFR		1	2005001			R1641/665/697		0702	7		60380	070065	M	02850	2.40
0160AC		DUCT DEFR		1	2019457			61698		0702	7		34840	070065	M	02850	2.41
0170AA		DUCT LH HTR		1	2001707					0702	7	CORR.	0000	070067		02950	2.43
0180AA		RIVET DISTR BOX		30	700368					0702	7					03050	2.45
0190AA		SCR BOX/DUCT		2	9420408					0702	7					03150	2.47

1 2 3 4 5 P.M.V.B.B.	2E06X00	MODEL YEAR 1978
		ORIGIN DATE 770712
		LAST CHG. DATE 770927
		LAST CHG. CODE IRR
REFERENCE	MODEL APPLICATION HEATER & A/C AIR SYSTEM PARTS	70 1A2H A 2
	UPC DESCRIPTION	SK V. P. C. GM PAGE

GMT 922 1/75



VIEW A
From Sht. 1

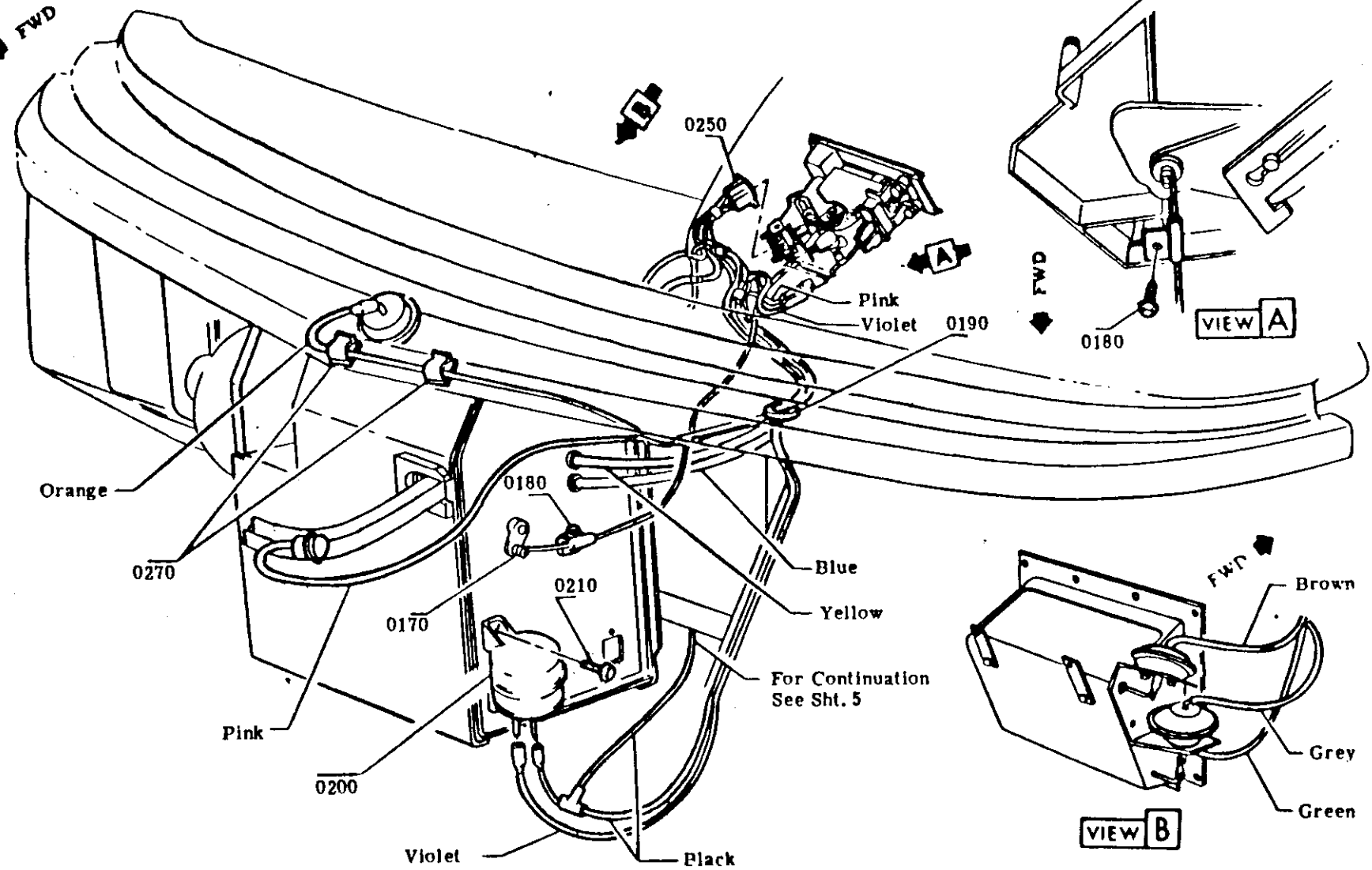


VIEW B
From Sht. 1

BY (Installation) - LPS	BY (Inspection) - LPS	DATE	SYM	REVISION	AUTH	DR	CR	DEPARTMENTS	TITLE
		4-23-77		ORIGINAL RELEASE	47000			GRIPPIN	78 TRUCK BOOK 70
									VACUUM ACTUATOR TO BOX ASM.
									HEATER & A/C CONT. PARTS
									DIVISION/LPC 1A2J SHEET 2

GMT 922 1/75

FWD



BY (Installation) - LPS	MA (Inspection) - LPS	DATE	SYM	REVISION	AUTH	DR	CK	DEPARTMENTS
		6-23-77		ORIGINAL RELEASE	H7000	WJ	WJ	WJ

78 TRUCK **BOOK 70**

TITLE
VACUUM HARNESS

NAME HEATER & A-C CONT. PARTS DIVISION/UPC **1A2J** SHEET **4**



PRODUCT DESCRIPTION MANUAL

ASSEMBLY INFORMATION

GMT 1081 REV. 8/78

GEN. TRUCK & COACH

ITEM	S E D	PART OR TOOL DESCRIPTION	ADD'L DATA	Q T Y	PART NUMBER	ENGINE CODES	SERIES	BOX SYM	ITEM RESTRICTION	DEPARTMENTS		CHANGE		LOGIC CODE	FUNCTION CODE	ADDITIONAL CODES	LINE NOS
										BT	2/STA	CD	AUTH				
220	AA	TANK HTR VAC		1	385076					0702	7	REPR	0000	070090		M02000	1.57
021	AA	SCREEN HTR		2	9419303					0702	7					M02100	1.59
021	AA	HARK VAC HOSE		1	2005985					0782	42		0000	420075		M02600	2.2
023	AA	TEE HOSE HARK		1	406026					0782	42		0000	420090		M02620	2.4
023	AA	HOSE VAL TO TEE		1	417230					0782	42		0000	420095		M02830	2.6
020	AA	STRAP VAC HOSE		4	676543					0754	90		0000	900140		M03200	2.8
021	AA	CLIP HSE TO PLEN		2	708513					0782	42		0000	420085		M03210	2.10

F.M.V.S.S.	REFERENCE	2E06X00	MODEL YEAR 1978
		MODEL APPLICATION HEATER & A/C CONT PARTS	ORIGIN DATE 770712
		UPC DESCRIPTION	LAST CHG. DATE 770927
			LAST CHG. CODE REPRC
			70 1A2J A 2
			SK V. P. C. GMT PAGE

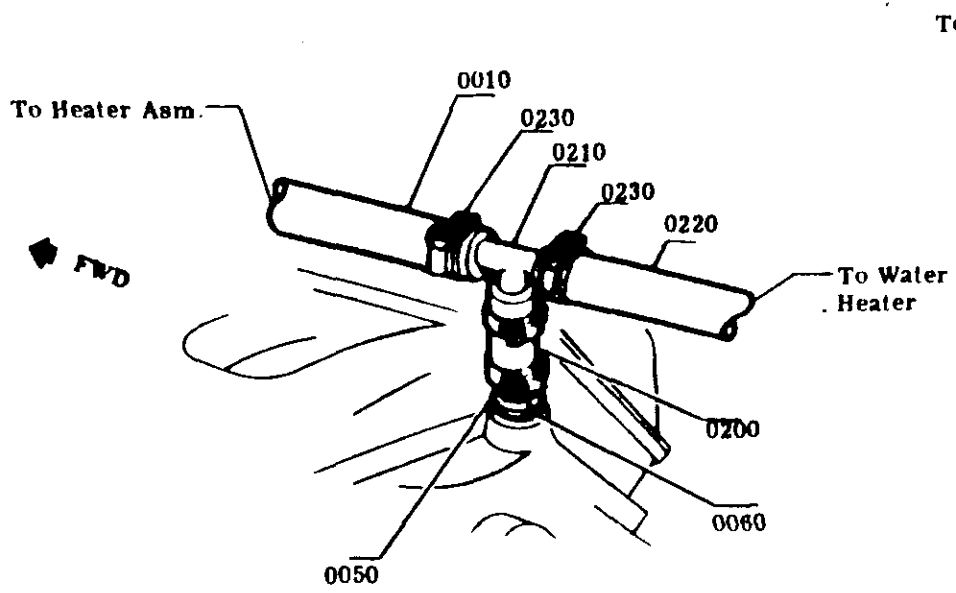
ITEM	QTY	PART OR TOOL DESCRIPTION	ADD'L DATA	QTY	PART NUMBER	ENGINE CODES	SERIES	BOX	ITEM RESTRICTION	DEPARTMENTS		CHANGE AUTH	LOGIC CODE	FUNCTION CODE	ADDITIONAL CODES	PNA	LINE NOS
										#1	2/STA						
AA01014		HTR & A/C INST		*	L8449					0752						99501	1.8
AA02014		A/C & HTR HOSE		*	L7854					0752						99501	1.10
AA03014		HTR & A/C INST		*	L8449					0782						99501	1.12
AA04014		A/C & HTR HOSE		*	L7854					0782						99501	1.14
AA05014		HTR & A/C INST		*	L8449					0702						1101	1.16
AA06014		A/C & HTR HOSE		*	L7854					0702						1101	1.16
0010AA		BRKT CNDSR MTG		1	790628					0752	69		0000690005			000100	1.20
0020AA		BOLY BRKY/RAD		2	9417950					0752	69					00200	1.22
0020AB		20:25 FT LBS								0752	69						1.23
0030AA		WA LR		2	103320					0752	69					00300	1.25
0050AA		CONDENSER ASM		1	303464					0752	69		0000690010			000400	1.27
0060AA		INSULATOR		4	397224					0752	69		0000690015			000500	1.29
0070AA		NUT 10:15 FT LBS		4	135988					0752	69					00700	1.31
0080AA		WASHER		4	9418304					0752	69					00800	1.33
0090AA		NUT 10:15 FT LBS		4	9422275					0752	69					00700	1.35
0200AA		DEHYDRATOR ASM		1	3012944					0702	7	REPR	0000070070			000000	1.37
0210AA		BRKY DEHYDR MTG		2	710001					0702	7		0000070075			000000	1.39
0220AA		SC 25:35 FT LBS		2	9419380					0702	7					00950	1.41
0250AA		HSE A/C COMP		1	2017078					0702	7		0000070080			001100	1.43
0260AA		BOLY HSE/COMP		1	9423180					0702	7					01200	1.45
0260AB		10:25 FT LBS								0702	7						1.46
0270AA		WA LR		1	103321					0702	7					01300	1.48
0280AA		O RING HOSE		1	3140744					0752	59		0000590060			001500	1.50
0281AA		NOTE1 TORQUE NUT AT ITEM #0280 (O RING)								0752	59						1.52
0290AA		O RING HOSE		1	3140600					0752	69		0000690020			001400	1.54
0291AA		NOTE1 TORQUE NUT AT ITEM #0290 (O RING)								0752	69						1.56

1		2E06X00	MODEL YEAR 1978
2			ORIGIN DATE 770712
3			LAST CHG. DATE 770801
4			LAST CHG. CODE REPR
5			70 1A2K A 1
F.M.V.S.S.	REFERENCE	MODEL APPLICATION AIR CONDITIONING REFRIGERANT SYSTEM PARTS UPC DESCRIPTION	RE V. P. C. QTY PAGE

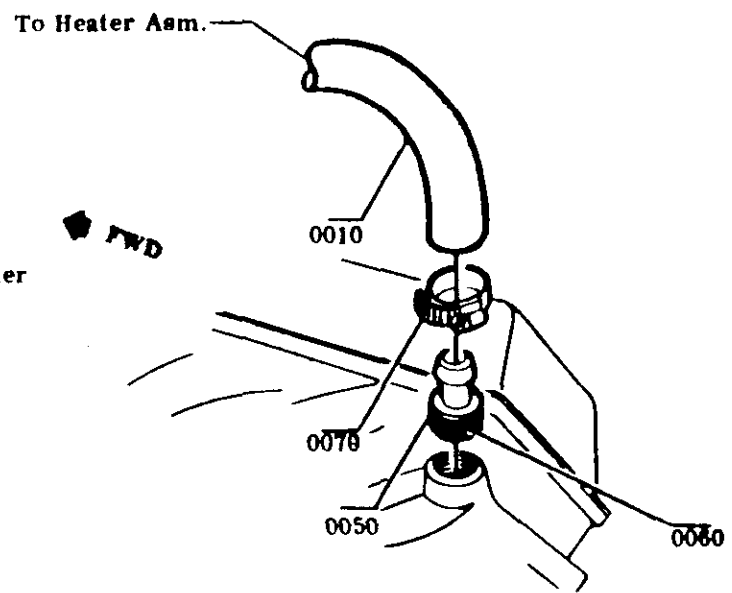
ITEM	PART OR TOOL DESCRIPTION	ADD'L DATA	QTY	PART NUMBER	ENGINE CODES	SE RIFS	REV BPN	ITEM RESTRICTION	DEPARTMENTS		CHANGE		LOGIC CODE	FUNCTION CODE	ADDITIONAL CODES	LINE NOS
									PT	Z/STA	CD	AUTH				
0300AA	HOSE A/C LUMP		1	2024931					0782	41			0000410045		M01100	1.50
0300AA	CLIP COMP HSE		1	6526398					0702	7			0000070085		M01400	2.1
0310AA	NOTE: TORQUE NUTS AT ITEM #0310 (O RING)							11:13 FT LBS.	0782	41						2.3
0300AA	CLIP		2	3140748					0752	59			0000590065		M01500	2.5
0300AA	HSE DRYD/COND		1	2000385					0752	69			0000690025		M01510	2.7
0300AA	CLIP HOSE		2	6526398					0752	69			0000690030		M01520	2.9
0310AA	NOTE: TORQUE NUTS AT ITEM #0360 (O RING)							11:13 FT LBS	0752	69						2.11
0370AA	ERRT HS & COND		1	653296					0752	69			0000690035		M01540	2.13
0370AA	NOTE: ATTACH WITH EXISTING A/C CONDENSER MTG HDW.								0752	69						2.15
0300AA	CLIP HSE/ERRT		1	6076975					0752	69			0000690040		M01525	2.11
0300AA	CLIP/ERRT		1	9417950					0752	69					M01560	2.19
0400AA	TUT		1	9422275					0752	69					M01580	2.21
0400AA	95:145 IN LBS								0752	69						2.22
0300AA	ERRT HSE & COND		1	653296					0752	69			0000690045		M02000	2.24
0300AA	NOTE: ATTACH BRACKET WITH A/C COMP MTG HDW.								0752	69						2.26
0300AA	CLIP HSE & COND		2	2005403					0752	63			0000630045		M01700	2.28
0300AA	CLIP/ERRT		1	9417950					0752	63					M01800	2.30
0300AA	TUT 10:20 FT LBS		1	9417954					0752	63					M01900	2.32
0300AA	STRAP A/C HSE		1	676543					0752	69			0000690050		M01600	2.34
0300AA	GUARD COMP HSE		1	2017286					0752	69			0000690052		M02050	2.36
0300AA	REFRIGERANT A/C		*	9985016					0754	90					M05000	2.38

REV	REFERENCE	2E04X00	MODEL YEAR 1978
		MODEL APPLICATION	ORIGIN DATE 770712
		AIR CONDITIONING REFRIGERANT SYSTEM PARTS	LAST CHG DATE 770927
		UPC DESCRIPTION	LAST CHG CODE REPRC
			70 1A2K A 2
			SK U. P. C. GMP PAGE

GMT 42 1-79



VIEW D
W Pre Heater
From Sht. 1



VIEW D
W/O Pre Heater
From Sht. 1

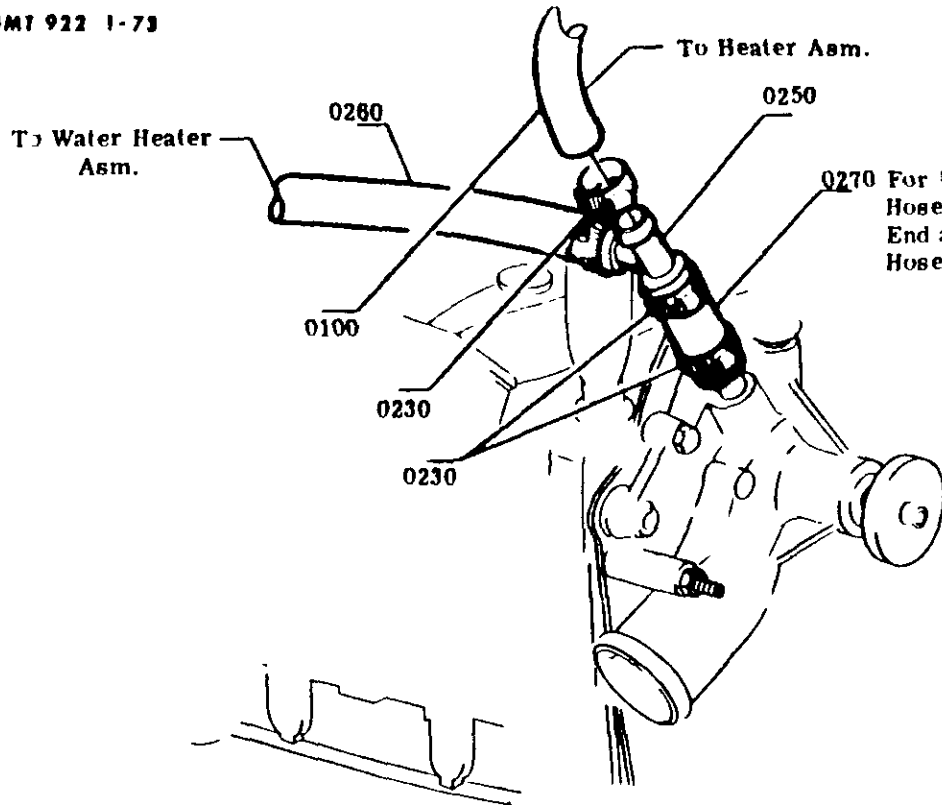
NOTE
Wipe 0060 Sealer
on all Threads

NOTE
For RPO VXA Cut Hose 0010
Approx. 3.00" from End and
Install Tee and Hose Clamps.

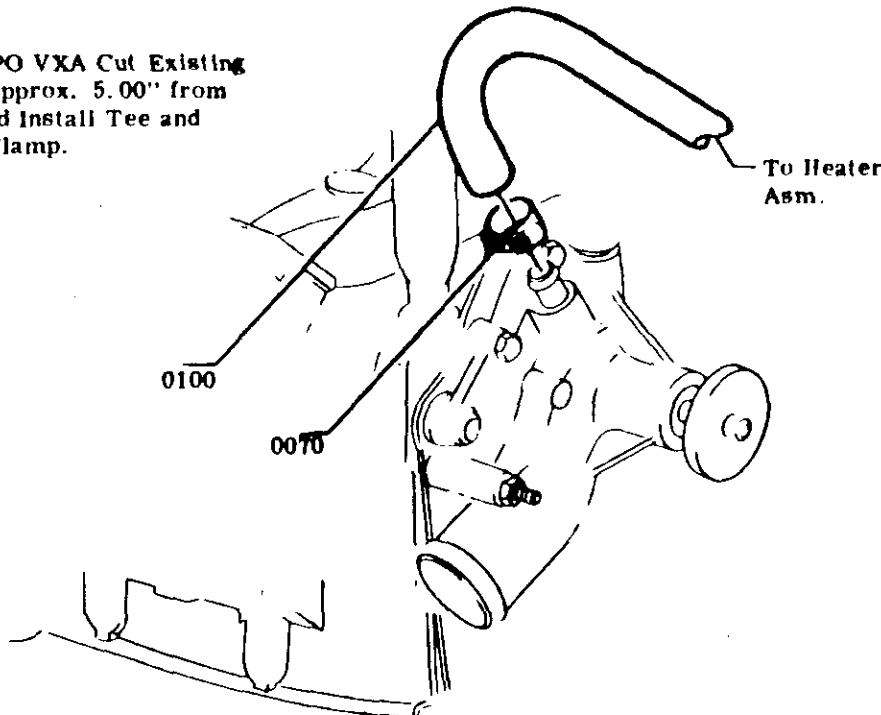
BY/CHK (Instruction) - LBS	DATE	SYM	REVISION	AUTH	DR	EX	DEPARTMENTS	78 TRUCK	BOOK 70
▲ ▲ ▲ ▲	6/27/77		DISMANTLE RELEASE	47000	SL	SL	Thompson	TITLE HEATER HOSE TO ENGINE	
								MARKETRY WAY	
								SYSTEM	1A2L
								PARTS	SHEET 2



GMT 922 1-73



0270 For RPO VXA Cut Existing Hose Approx. 5.00" from End and Install Tee and Hose Clamp.



FWD →

FWD →

VIEW C
With Pre Heater
From Sht. 1

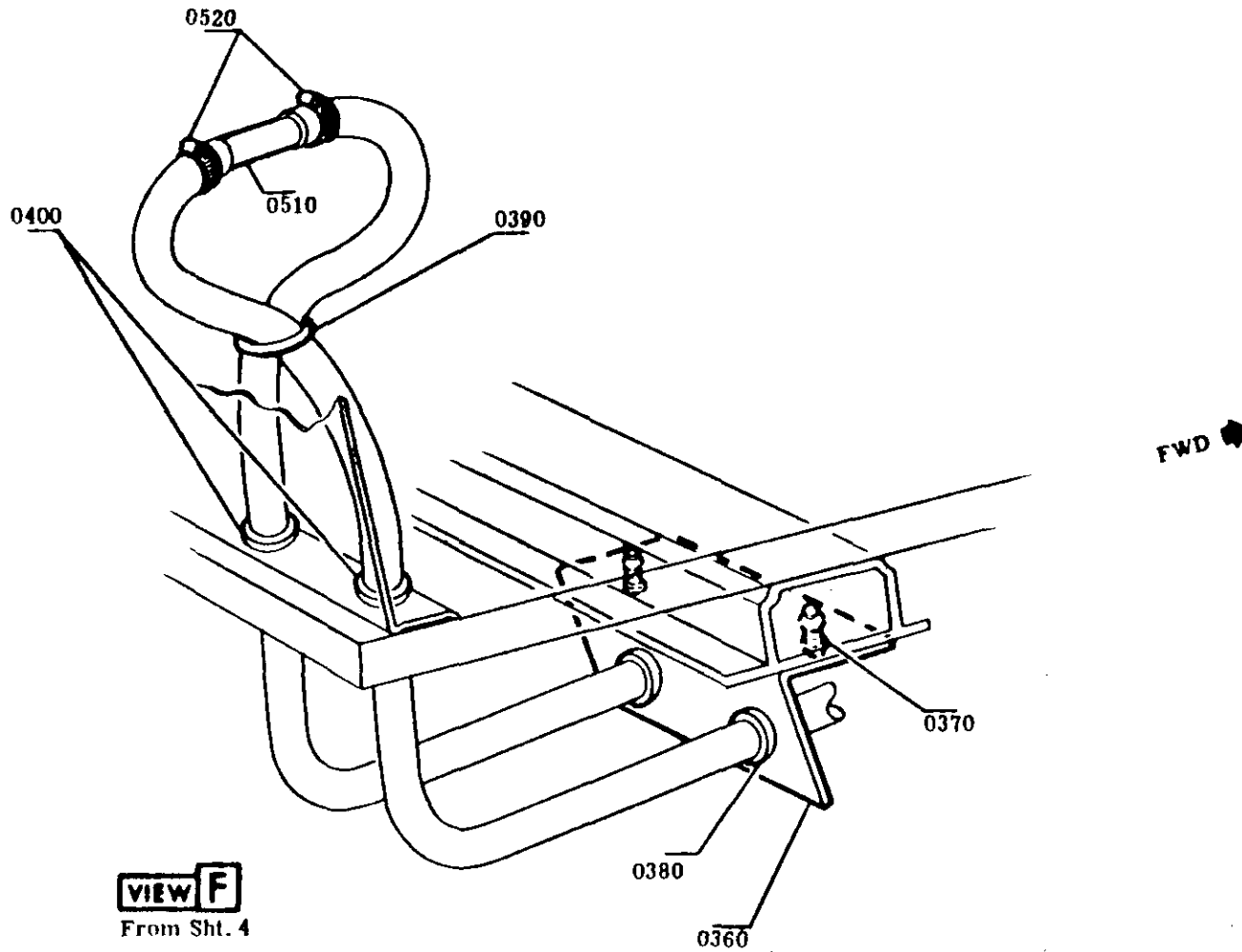
VIEW C
W/O Pre Heater
From Sht. 1

BY/CHK (Instruction) - LBS	DATE	SYM	REVISION	AMTH	DR	CR	DEPARTMENTS
▲	6-7-77		ORIGINAL RELEASE	47000	J		THRAPLOD
▲							
▲							
▲							
▲							

70 TRUCK		BOOK 70	
TITLE HEATER HOSE TO PUMP			
ENGINE HT. WAT. SYSTEM PARTS	DISPOSITION 1A2L	SHEET 3	



GMT 922 8/74



STANDARD (Inch/Inches) - LBS	GRADE (Inspection) - LBS	DATE	SYM	REVISION	AUTH	DR	CR	DEPARTMENTS	TRUCK	BOOK	
▲ ▲ ▲ ▲		2/27		ORIGINAL RELEASE	47000	SL	TK	TRUCK	78	70	
									1700 HOT WATER PREHEAT HOSE & SUPT. BKT.		
									HTR. WAT. SYS. PARTS	DIVISION/LPC 1A2L	SHEET 5

PRODUCT DESCRIPTION MANUAL

ASSEMBLY INFORMATION

GMT 1081 REV. 8/78

GM TRUCK & COACH

ITEM	QTY	PART OR TOOL DESCRIPTION	ADD'L DATA	QTY	PART NUMBER	ENGINE CODES	SERIES	BOY	ITEM RESTRICTION	DEPARTMENTS		CHANGE		LOGIC CODE	FUNCTION CODE	ADDITIONAL CODES	A	LINE NOS
										#1	2/51A	CD	AUTH					
AA01014		HTR HSE & A/C		*	L4424				STD 01 & 03/VXA	0752							99508	1.8
AA01014		HTR HSE & A/C		*	L4424				STD 01 & 03/VXA	0764							99508	1.10
AA01014		HTR HSE & A/C		*	L8444				STD 03 77 INTERM	0752							99508	1.12
AA01014		HTR HSE & A/C		*	L8444				STD 03 77 INTERM	0784							99508	1.14
AA01014		HTR HSE & A/C		*	L7854				STD 03	0752							99508	1.16
AA01014		HTR HSE & A/C		*	L7854				STD 03	0784							99508	1.18
AA10014		HOT WAT PREHEAT & INSTL		*	L6621				STD 01 & 03/VXA	0752							99511	1.20
AA10024										0752								1.21
AA10014		HTR HSE & A/C		*	L6621				STD 01 & 03/VXA	0764							99511	1.23
AA10024										0784							99511	1.24
AA10014		HTR WRG INSTL		*	L3875			83		0752							99509	1.26
AA10014		HTR WRG INSTL		*	L3875			83		0764							99509	1.28
AA10014		HTR & A/C PLNM & CONT		*	L3864			83		0752							99510	1.30
AA10024										0752							99510	1.31
AA10014		HTR & A/C PLNM & CONT		*	L3864			83		0784							99510	1.33
AA10024										0784								1.34
AA10014		SANITARY & FRESH WAT FLOPS INSTL		*	L7095				H3VXA	0752							99520	1.36
AA10024										0752								1.37

ZE06X00

MODEL APPLICATION
WATER HEATER SYSTEM PARTS
UPC DESCRIPTION

MODEL YEAR 1978
ORIGIN DATE 770713
LAST CHG DATE 770927
LAST CHG CODE

70 1A2L A 1
BK V. P. C. QRP PAGE

REFERENCE



PRODUCT DESCRIPTION MANUAL

GMT 1061 REV 8/78

GMC TRUCK & COACH

ASSEMBLY INFORMATION

ITEM	PART OR TOOL DESCRIPTION	ADD'L DATA	QTY	PART NUMBER	ENGINE CODES	SERIES	BODY PRM	ITEM RESTRICTION	DEPARTMENTS		CHANGE		LOGIC CODE	FUNCTION CODE	ADDITIONAL CODES	INA	LINE NOS	
									#1	2/STA	CD	AUTH						
AA2001	SANITARY & FRESH		*	L7095				83VXA	0784							99520	1.39	
AA2002	WAT PLUMB INSTL								0784							99520	1.40	
UC200A	HSE HTR SUPPLY	7/8 IN	*	R37158			81		0752	63		0000630100				M00100	1.43	
UC200B	HSE HTR SUPPLY	7/8 IN	*	R37158			63-VXA		0752	63		3663630100				M00100	1.44	
UC200C	HSE HTR SUPPLY	7/8 IN	*	R37158			83VXA		0752	63		3471630100				M00100	1.45	
UC200D	HSE SPLY W RAD	9 IN	*	R37158					0752	63						M00150	1.47	
UC200E	VALVE HTR WAT		1	494192					0752	63		0000630105				M03400	1.49	
UC200F	CLAMP HS W VLV		2	2467789					0784	62		0000625005				M10310	1.51	
UC200G	20T24 TH LBS								0784	62								1.52
UC200H	NIP SPLY HS/ENG		1	793852					0752	61		0000610005				M02600	1.54	

		ZE06X00 MODEL APPLICATION WATER HEATER SYSTEM PARTS UPC DESCRIPTION	MODEL YEAR 1978 ORIGIN DATE 770713 LAST CHG DATE 770927 LAST CHG CODE 70 1A2L A 2 DE W. F. S. SUP PAGE
--	--	---	---

FMVSS

REFERENCE



PRODUCT DESCRIPTION MANUAL
ASSEMBLY INFORMATION

GMP 1081 REV 3/78

ITEM	QTY	PART OR TOOL DESCRIPTION	ADD'L DATA	QTY	PART NUMBER	ENGINE CODES	SERIES	BOY BARK	ITEM RESTRICTION	DEPARTMENTS		CHANGE		LOGIC CODE	FUNCTION CODE	ADDITIONAL CODES	LINE NOS
										01	2-51A	LD	AUTH				
00204A	1	SCALE NIPPLE	AS REQD	*	5985235					0752	61					02610	1.58
00204A	2	CLAMP SPLY HSE			2467784					0784	66			0000665065		M03620	1.58
00204A		CLAMP 1/2 LBS								0784	66						1.59
00204A	1	HSE HTR NET	24 IN	*	R 36487					0752	63			0000630110		M01300	2.2
00204A	1	HSE HTR NET	24 IN	*	K 36487					0752	63			3663630110		M01300	2.3
00204A	1	HSE HTR NET	24 IN	*	K 36487					0752	63			3471630110	M	01300	2.4
00204A	2	CLAMP HLT HSE			2467784					0752	63			0000630115		M03620	2.6
00204A		CLAMP 1/2 LBS								0752	63						2.7
00204A	1	STRAP S & K HSE			676543					0784	66			0000665070		M02620	2.9
00204A	2	CLAMP S & K HSE			793887					0754	87			0000870027		M10310	2.13
00204A		NOTE: CLAMP IS ATTACHED BY EXISTING FASTENERS.								0754	87						2.13
00204A	1	HSE PREHEAT/NIP	3 IN	*	K 37158					0752	63						2.18
00204A	1	HSE PREHEAT/NIP	3 IN	*	K 37158					0752	63						2.18
00204A	1	TEE PREHEAT SPLY			2464966					0752	63			0000630120		M05020	2.18
00204A	1	TEE PREHEAT SPLY			2464966					0752	63			3471630120	M	65020	2.19
00204A	1	HSE PREHEAT SPLY	2 1/2 IN	*	0861306					0784	62			0000625010		M05040	2.21
00204A	1	HSE PREHEAT SPLY	2 1/2 IN	*	0861306		65			0784	62			3471625010	M	65040	2.22
00204A	1	HSE PREHEAT SPLY	1 3/8 IN	*	0861306		60			0784	62			3471625010	M	65040	2.22
00204A	3	CLAMP FUSE			2467789					0784	62			0000625015		M03620	2.24
00204A	3	CLAMP FUSE			2467789					0784	62			3471625015	M	03620	2.24

1 2 3 4 5 6 F.M.V.S.S.	ZE06X00										MODEL YEAR 1978			
	MODEL APPLICATION										ORIGIN DATE 770713			
	WATER HEATER SYSTEM PARTS										LAST CHG. DATE 770927			
UPC DESCRIPTION										LAST CHG. CODE				
										70 1A2L A 3				
										BK. V. P. C. GMP PAGE				

REFERENCE

UPC DESCRIPTION

TRUCK BODY DESCRIPTION MANUAL

ASSEMBLY INFORMATION

GM 1001 REV. 8/78

GM TRUCK & COACH

ITEM	PART OR TOOL DESCRIPTION	ADD'L DATA	QTY	PART NUMBER	ENGINE CODES	SERIES	REV. OR PART	ITEM RESTRICTION	DEPARTMENTS		CHANGE		LOGIC CODE	FUNCTION CODE	ADDITIONAL CODES	LINE NOS.
									#1	2/5TA	CD	AUTH				
0250AA	TEE PREHEAT RET		1	711541			81		0752	63			0000630125			2.2
0250AC	TEE PREHEAT RET		1	711541			83VXA		0752	63			3471630125			2.2
0260AA	HSE PREHEAT RET	240 IN	*	8861306			81		0784	62			0000625025			2.3
0260AC	HSE PREHEAT RET	240 IN	*	8861306			65	83VXA	0784	62			3471625025			2.3
0260AD	HSE PREHEAT RET	240 IN	*	8861306			60	83VXA	0784	62			3471625025			2.3
0270AA	HS TEE @ WA PMP	5 IN	1	R 36487			81		0752	63			0000630130			2.3
0270AC	HS TEE @ WA PMP	5 IN	1	R 36487				83VXA	0752	63			3471630130			2.3
0300AA	CLIP PREHEAT HSE		6	120529			81		0784	66			0000665075			2.3
0300AC	CLIP PREHEAT HSE		6	120529				83VXA	0784	66			3471665075			2.3
0310AA	RIVET HOSE CLIP		4	700368			81		0784	66						2.4
0310AC	RIVET HOSE CLIP		4	700368				83VXA	0784	66						2.4
0320AA	CLIP PREHEAT HSE		2	120529			81		0784	66			0000665080			2.4
0320AC	CLIP PREHEAT HSE		2	120529				83VXA	0784	66			3471665080			2.4

1 2 3 4 5		2E06X00	MODEL YEAR 19 78 ORIGIN DATE 770713 LAST CHG. DATE 771010 LAST CHG. CODE
REFERENCE		MODEL APPLICATION WATER HEATER SYSTEM PARTS UPC DESCRIPTION	
F.M.V. 55		70 1A2L A 4 BK U. P. C. GMP PAGE	

ASSEMBLY INFORMATION

ITEM #	QTY	PART OR TOOL DESCRIPTION	ADD'L DATA	QTY	PART NUMBER	ENGINE CODES	SERIES	BODY BRK	ITEM RESTRICTION	DEPARTMENTS		CHANGE		LOGIC CODE	FUNCTION CODE	ADDITIONAL CODES	LINE NOS
										#1	#2/51A	CD	AUTH				
0320AA		RIVET HOSE CLIP		2	700368			81		0784	66					65090	2.47
0320AA		RIVET HOSE CLIP		2	700368			83VXA		0784	66						2.48
0340AA		CLIP PREHEAT HSE		1	698319			81		0784	66		0000665085		M65080	2.50	
0340AA		CLIP PREHEAT HSE		1	698319			63VXA		0784	66		3471665085		M65080	2.51	
0320AA		SC HOSE CLIP		1	9416844			81		0784	66					65100	2.53
0320AA		SC HOSE CLIP		1	9416844			63VXA		0784	66					65100	2.54
0320AA		BRKT HSES/FLOOR		1	2005069			81		0784	66		0000665090		M12025	2.56	
0320AA		BRKT HSES/FLOOR		1	2005069			63VXA		0784	66		3471665090		M	65170	2.57
0320AA		RIVET BRKT/FLOOR		2	700368			81		0784	66					65180	2.58
0320AA		RIVET BRKT/FLOOR		2	700368			63VXA		0784	66					65180	3.1
0320AA		GRUM HSE & BRKT		2	2317218			81		0784	66					65190	3.3
0320AA		GRUM HSE & BRKT		2	2317218			63VXA		0784	66					65190	3.4
0320AA		GRUM HSE & FLOOR		2	2006147			81		0784	66					65150	3.6
0320AA		GRUM HSE & FLOOR		2	2006147			63VXA		0784	66					65150	3.7
0400AA		STRAP HSE/HSE		3	8577976			81		0784	66		0000665095		M		3.9
0400AA		STRAP HSE/HSE		3	8577976			63VXA		0784	66		3471665095		M		3.10
0510AA		NIPPLE S & R HSE		1	2003223			63VXA		0784	66		3471665055		M		3.12
0520AA		CLAMP HSE & NIP		2	2467789			81		0784	66		0000665060		M63620		3.15
0520AA		CLAMP HSE & NIP		2	2467789			63VXA		0784	66		3471665060		M		3.15

1 2 3 4 5 6 F.M.V.S.S.	REFERENCE	ZEO0X00	MODEL YEAR 1978
			ORIGIN DATE 770713
			LAST CHG DATE 770927
		MODEL APPLICATION	LAST CHG. CODE
		WATER HEATER SYSTEM PARTS	70 1A2L A 5
		UPC DESCRIPTION	BK V. P. C. GMP PAGE

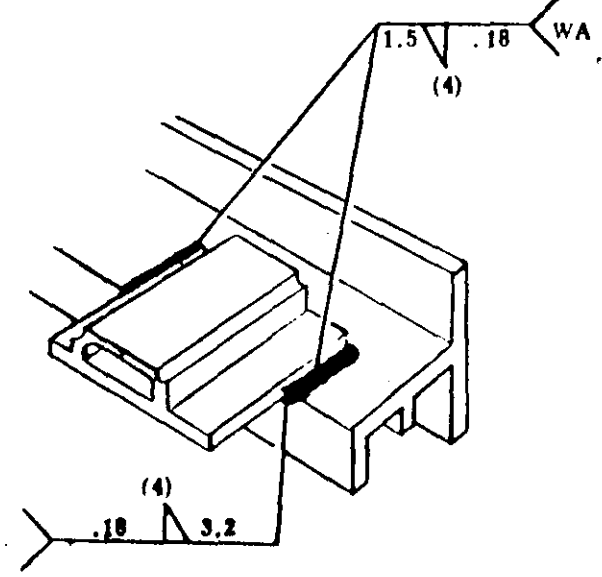
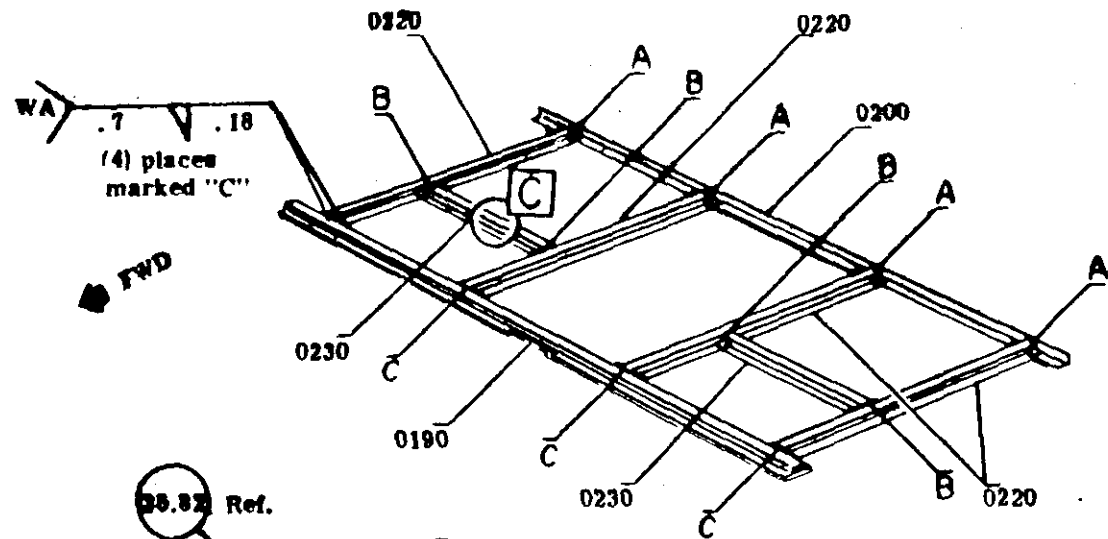


PRODUCT DESCRIPTION MANUAL
ASSEMBLY INFORMATION

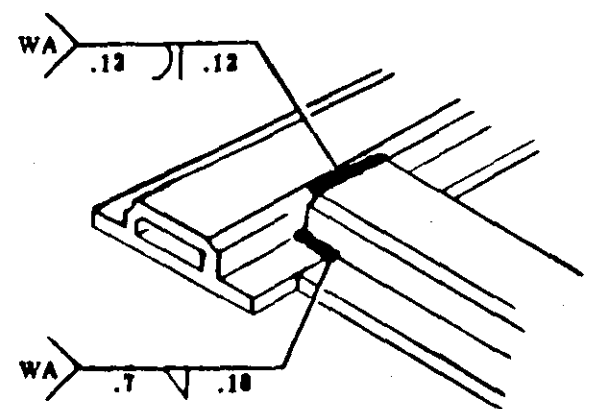
ITEM	E	Q	PART OR TOOL DESCRIPTION	ADD'L DATA	QTY	PART NUMBER	ENGINE CODES	SERIES	BODY FRM	ITEM RESTRICTION	DEPARTMENTS		CHANGE CD	AUTH	LOGIC CODE	FUNCTION CODE	ADDITIONAL CODES	LINE NOS
											ST	2 STA						
UY1UAA			STRUT PANEL LH		1	706018					0752	67			0000670005		M14500	5-14
UY2UAA			STRUT PANEL RH		1	706017					0752	67			0000670010		M14600	5-28
UY3UAA			BULT LNK PNL		4	451976					0754	90					M14700	5-23
UY4UAA			WA PNL BULT		8	9421042					0754	90					M14800	5-23
UY5UAA			WVT PNL BULT		4	9418931					0754	90					M14900	5-23
1000AA			PNL UA INSL LH		1	2012689					0782	39			0000390049		M14949	5-24
1010AA			PNL UA INSL LH		1	721353					0782	39			0000390050		M14925	5-23
1020AA			PNL UA INSL RH		1	2005007					0782	39			0000390055		M14950	5-23
1030AA			PNL UA INSL RH		1	2005006					0782	39			0000390060		M14950	5-23
1040AA			INSUL DK FLK		1	721352					0782	39			0000390065		M14975	5-23
1050AA			ADHESIVE	AS KEHL	*	9985139					0782	39					M15000	5-23
1060AA			ADHESIVE BOUT		*	8860766					0702	9					M15025	5-23
1070AA			SEAL,UA PNL		2	2034447					0782	39	254560000390052				M15100	5-23
1080AA			SEAL,UA PNL		2	2034448					0782	39	254560000390054				M15100	5-23

F.M.V.S.S.	REFERENCE	ZE06X00	MODEL YEAR 1978 ORIGIN DATE 770714 LAST CHG. DATE 770919 LAST CHG. CODE 25656
		MODEL APPLICATION BODY FRM FRAME UPC DESCRIPTION	70 1L2A A 6 BR. V. F. C. SHP PAGE

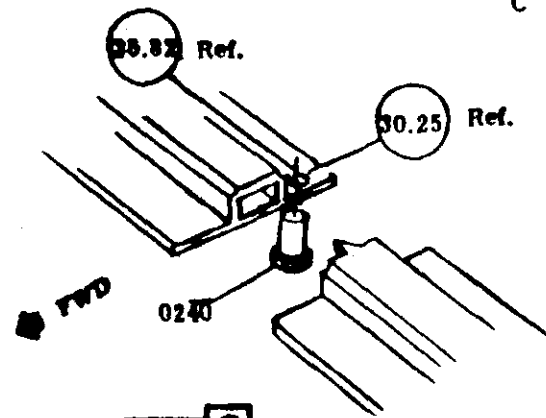
GMT 922 1-73



WELD SECT. A



WELD SECT. B

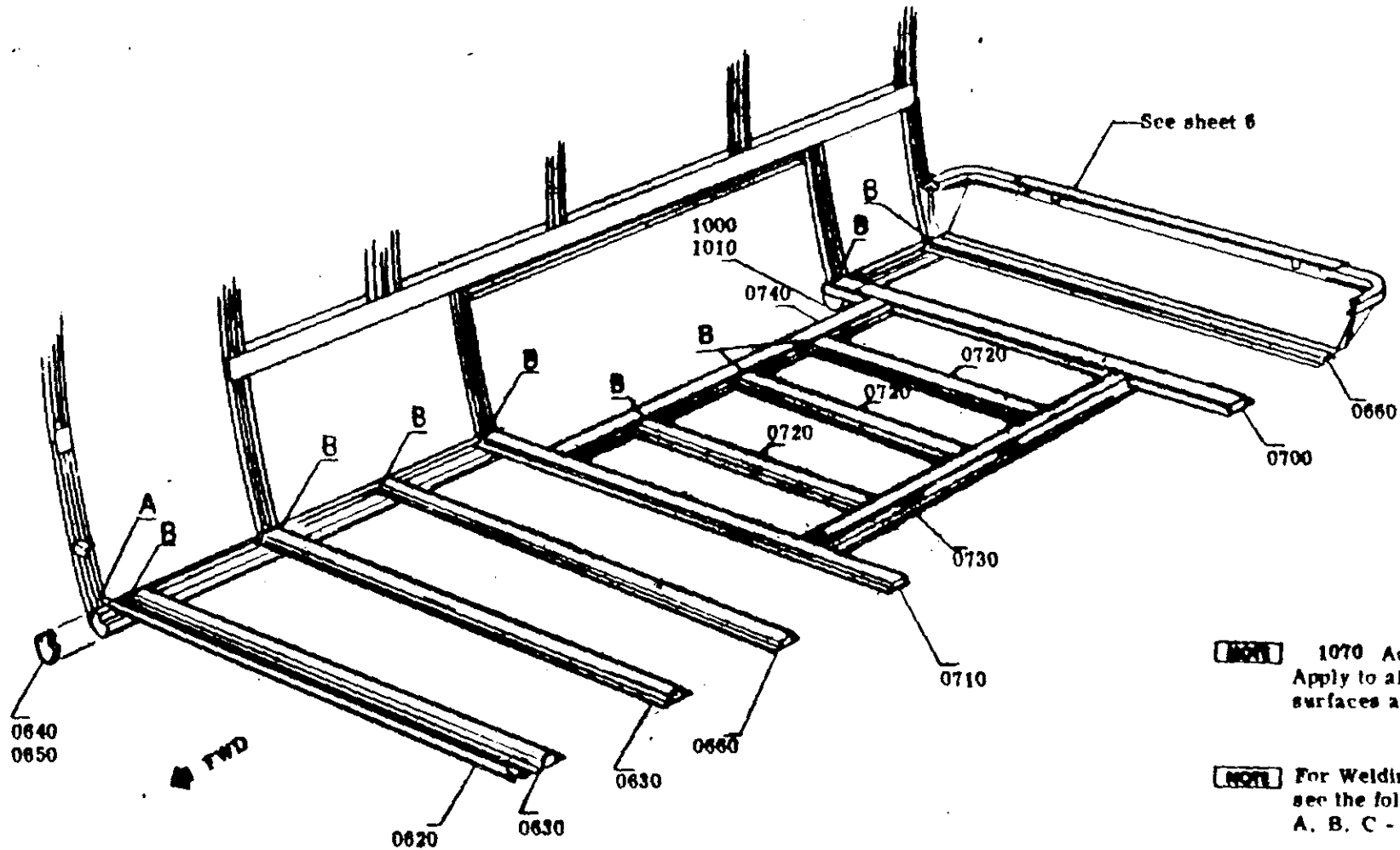


VIEW C
Symm. RH/LH

DATE	SVN	REVISION	BY	CHK	APP	DESCRIPTION
7-5-77		ORIGINAL RELEASE				

78 TRUCK	BOOK 78
TYPE FLOOR FRAME - FRONT	
10	1

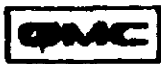
12 1-73



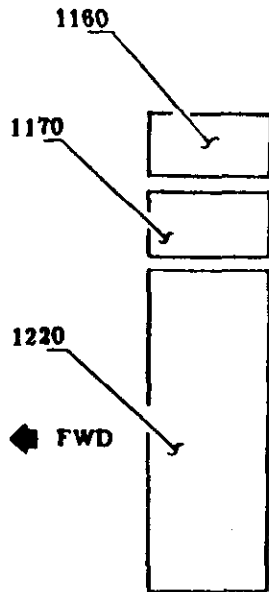
NOTE 1070 Adhesive
Apply to all faying surfaces as req'd.

NOTE For Welding Sections see the following:
A, B, C - Sheet 5

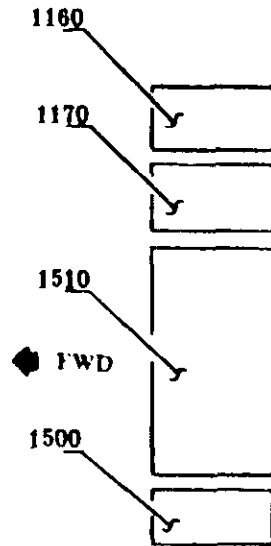
DATE	BY	REVISION	APPROVED BY	DATE	TITLE	BOOK
7/5/77		ORIGINAL RELEASE	47860	CT	TRUCK	BOOK 70
					MAIN FLOOR FRAME	
					23 FT. VEHICLE	
					AMENDMENT	3



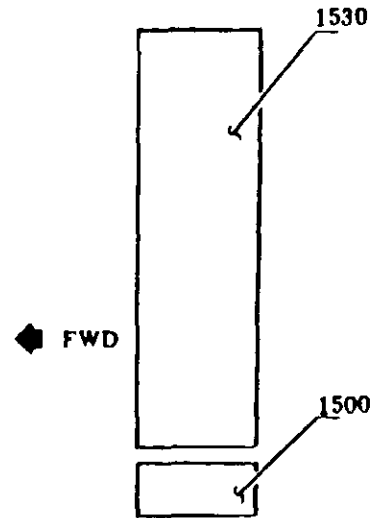
GMT 922 1/75



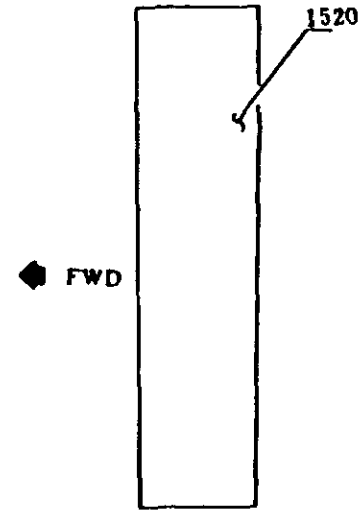
STD.



RPO APN



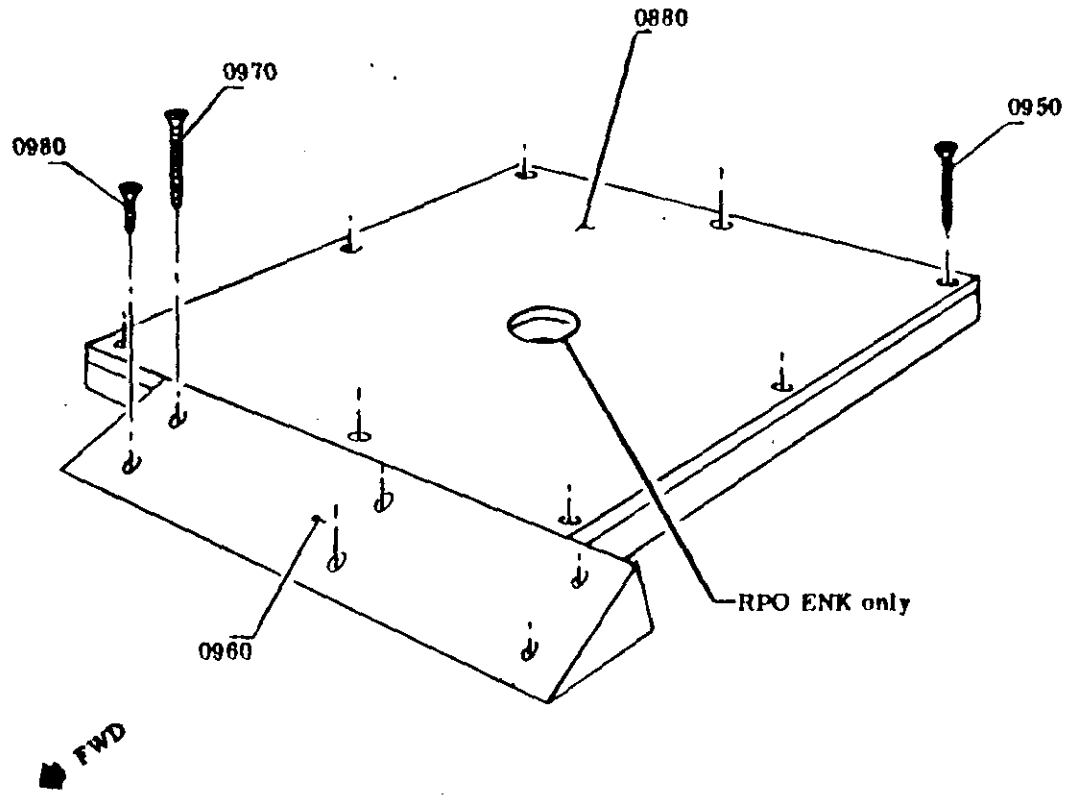
RPO APN & APP



From Sht. 8

SYMBOL (Insulation) - 105	REMARK (Inspection) - 105	DATE	SYM	REVISION	AUTH	DR	EE	DEPARTMENTS	TRUCK	BOOK	
△		75 7		ORIGINAL RELEASE	41000	9/28		H. GRIFFIN	78	70	
△											
△											
△											
△											
△											
									TITLE		
									MAIN FLOOR INSULATION		
									NAME	DIVISION	SHEET
									UNDERBODY	101	9

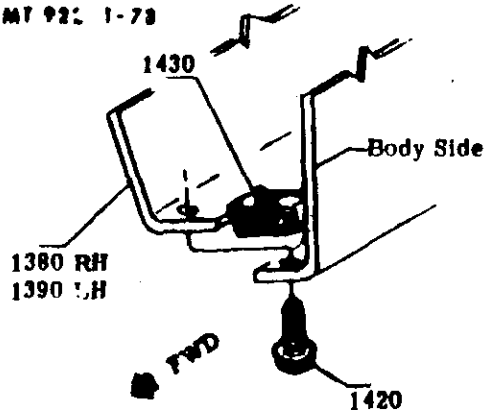
OMT 1-78



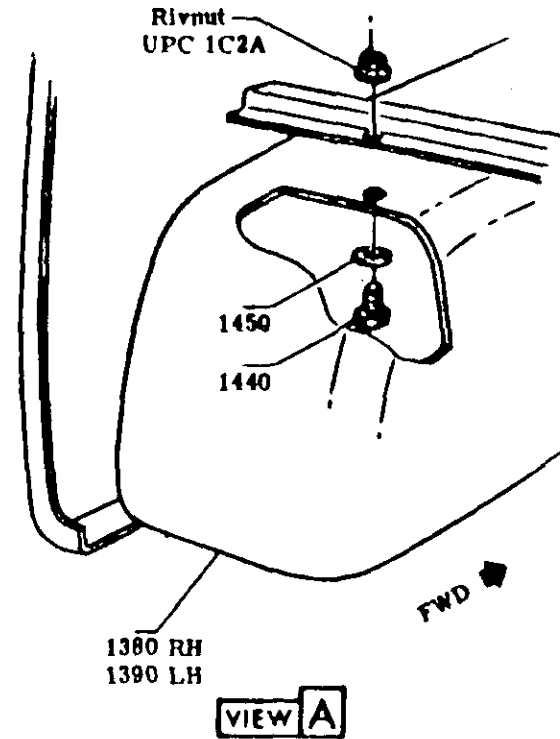
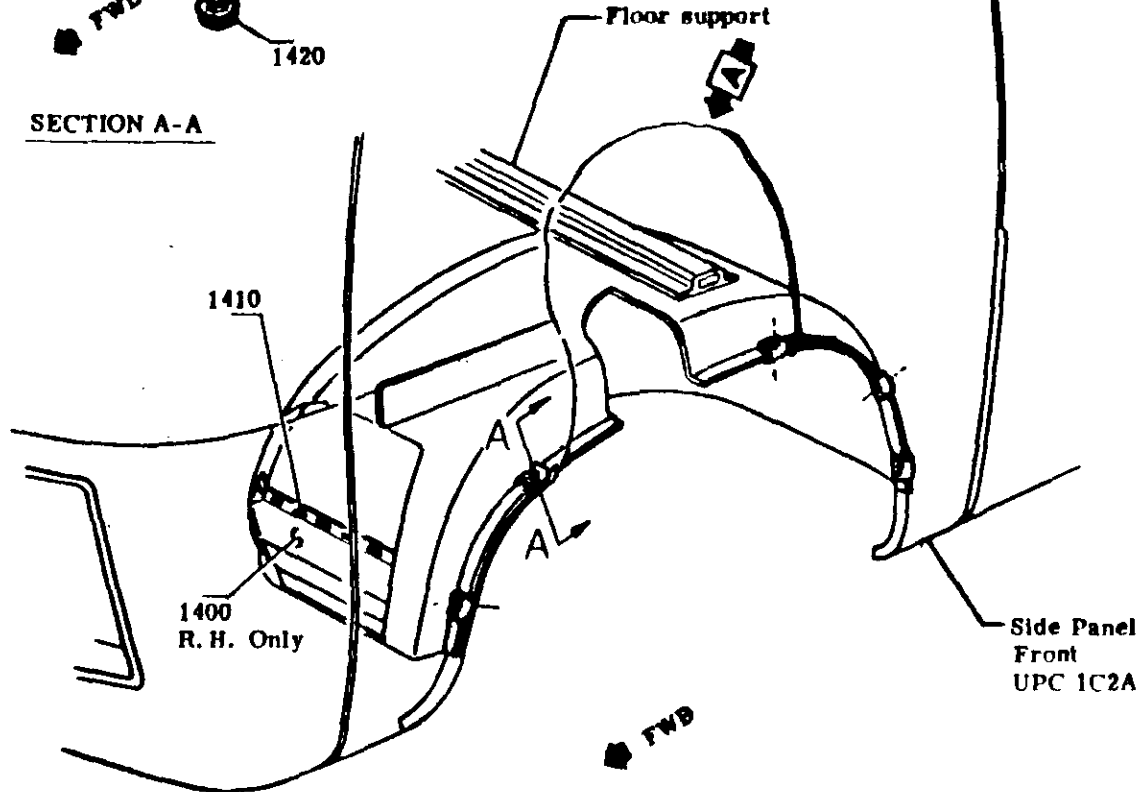
BY DATE	SYN	REVISION	AUTH	DR	EX	DEPARTMENT	78 TRUCK BOOK 70	
		ORIGINAL RELEASE	9700	BT		H. GRIFFIN	TITLE REAR AUXILIARY FLOOR	
							NAME UNDERBODY	DIVISION 1C1
								SHEET 14



GMT 92: 1-78



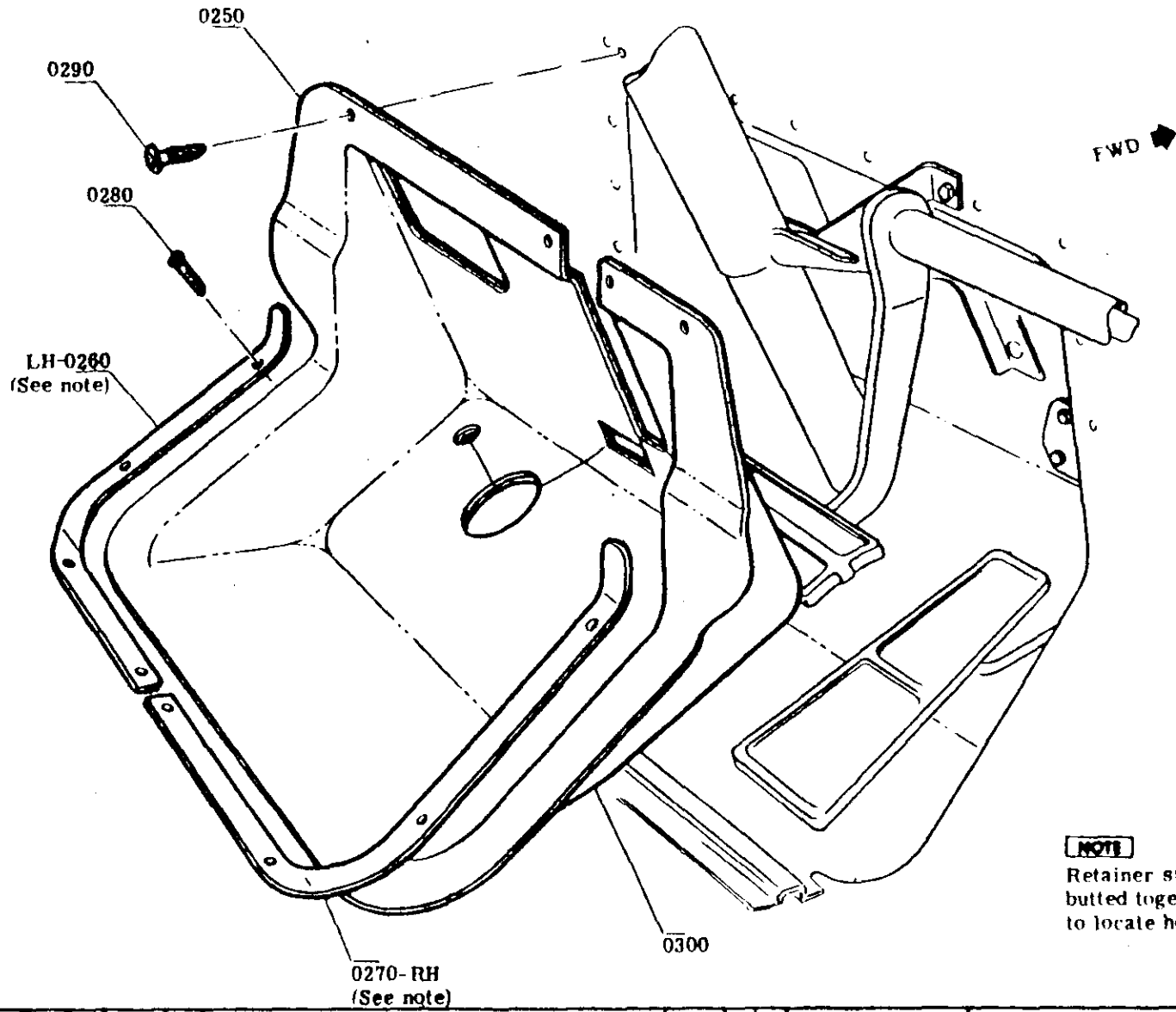
SECTION A-A



NOTE LH shown
RH typical

SYMBOL (description) - L/S	DATE	SYN	REVISION	BY	CHK	DEPARTMENTS	TITLE
△	1-5-77		ORIGINAL RELEASE	STANLEY	MC	M. GRIFFIN	78 TRUCK BOOK 70
△							WHEELHOUSE - FRONT
△							UNDERBODY 1C1 15

GMT 922 1-73

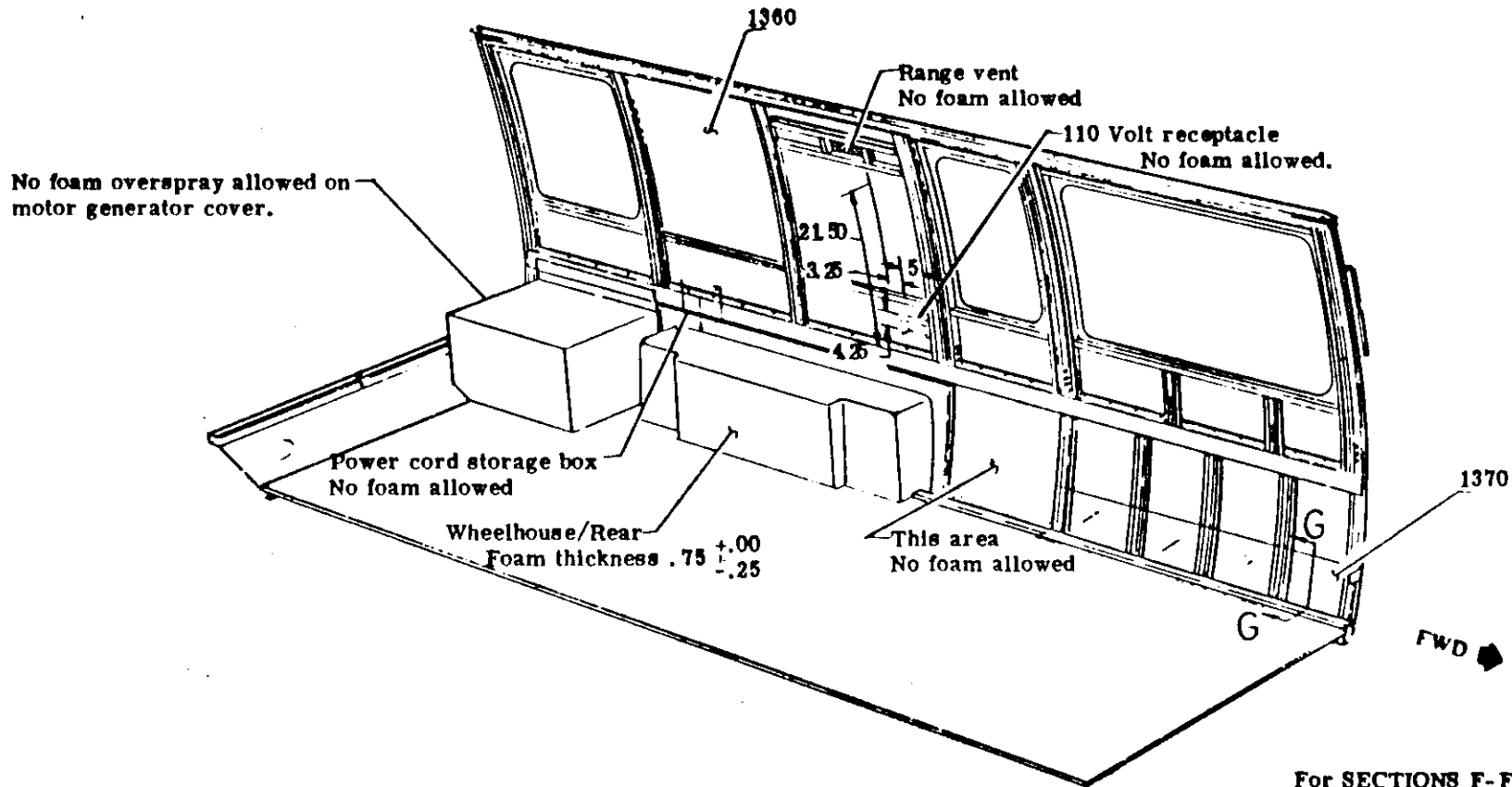


NOTE
Retainer strips to be positioned butted together used as template to locate hole for attachment.

DYNAMIC (Installation)—LBS	HAND (Inspection)—LBS	DATE	SYM	REVISION	AUTH	DR	CR	DEPARTMENTS	TITLE
		7-5-77		ORIGINAL RELEASE	97800	C	2		'78 TRUCK
									BOOK 70
									DRIVER FLOOR MAT
									NAME
									DIVISION
									SHEET
									UNDERBODY
									1C1
									18

- ▲
- ▲
- ▲
- ▲
- ▲

GMT 922B 1/75



For SECTIONS F-F & G-G
See sht. 24

Also see General Notes on
sheet 19

DYNAMIC (Insulation) - LBS	STATIC (Insulation) - LBS	DATE	SYM	REVISION	AUTH	DR	CHK	DEPARTMENTS	PAGE	BOOK	
△		7-5-77		ORIGINAL RELEASE	4/800			D. GRIFFIN	78	70	
△											
△											
△											
△											
△											
△											
									TITLE		
									LH SIDE INSULATION INSTRUCTIONS		
									NAME	DIVISION / UPC	SHEET
									UNDERBODY	101	23

ITEM	QTY	PART OR TOOL DESCRIPTION	ADD'L DATA	QTY	PART NUMBER	ENGINE CODES	SERIES	BODY BRK	ITEM RESTRICTION	DEPARTMENTS		CHANGE		LOGIC CODE	FUNCTION CODE	ADDITIONAL CODES	LINE NOS
										#1	2-STA	CD	AUTH				
AAC1014 AAC1024		M/G LVR ASM INSTL & DRILL		*	MD12911			81		0702 0702						99556	1.8 1.9
AAC2014 AAC2034		M/G LVR ASM INSTL & DRILL		*	MD12911			81		0704 0704						99556	1.11 1.14
AAO3014 AAO3024		L/P GAS TR CVR INSTL & DRILL		*	MD12913			81		C702 C702						99557	1.14 1.15
AAO4014 AAO4024		L/P GAS TR CVR INSTL & DRILL		*	MD12913			81		0704 0704							1.11 1.16
AAE5014 AAE5024		FRT STRUCTURE & STRG CGL SUPT		*	L7856					0702 0702							1.20 1.21
AAE6014 AAE6024		FRT STRUCTURE & STRG CGL SUPT		*	L7856					0704 0704							1.23 1.24
AAE7014 AAE7024		LR FLR MAT & DRILL INSTL		*	MD11005					C702 C702							1.26 1.27
AAE8014 AAE8024		LR FLR MAT & DRILL INSTL		*	MD11005					0704 0704							1.29 1.30
AAE9014 AAE9024		ST BELT ANC DRILL INSTL		*	MD12963			81		C702 C702							1.32 1.33
AAI0014 AAI0024		ST BELT ANC DRILL INSTL		*	MD12963			81		0704 0704							1.35 1.36
AAI1014 AAI1024 AAI1034		MAIN FLR ASM MAIN FLR ASM MAIN FLR ASM		*	L8017 L8017 L8109		65 60 60	APN/APP/BRO/ANC BRQ STD		0702 0702 0702							1.38 1.39 1.40
AAI2014		RR AUX FLR		*	L6620			81		0702							1.42
AAI3014		RR AUX FLR		*	L6620			81		0704							1.44
AAI4014 AAI4024		L/P GAS TR CVR ASM INSTL		*	L7855					0702 0702							1.46 1.47
AAI5014 AAI5024		L/P GAS TR CVR ASM INSTL		*	L7855					0704 0704							1.49 1.50
AAI6014 AAI6024		M/G LVR ASM & INSTL		*	L7852			81		0702 0702							1.52 1.53
AAI7014 AAI7024		M/G LVR ASM & INSTL		*	L7852			81		0704 0704							1.55 1.56

1 2 3 4 5 6 7 8 9 10 11 12	ZE06X00										MODEL YEAR 1978	
											ORIGIN DATE 770714	
											LAST CHG. DATE	
											LAST CHG. CODE	
MODEL APPLICATION UNDERBODY										70 161 A 1		
UPC DESCRIPTION										BK U. P. C ORP PAGE		



PRODUCT DESCRIPTION MANUAL

ASSEMBLY INFORMATION

ITEM	PART OR TOOL DESCRIPTION	ADD'L DATA	QTY	PART NUMBER	ENGINE CODES	SERIES	BOY B/WK	ITEM RESTRICTION	DEPARTMENTS		CHANGE		LOGIC CODE	FUNCTION CODE	ADDITIO CODES	NA	LINE NOS
									#1	2/STA	CD	AUTH					
AA18014	M/G CVR ASM		*	L7852		65	83KNC		0702								1.58
AA18024	G INSTL								0702								1.59
AA19014	M/G CVR ASM		*	L7852		65	83KNC		0704								2.2
AA19024	G INSTL								0704								2.3
AA20014	W/H RR INSTL		*	L7853					0702								2.5
AA21014	W/H RR INSTL		*	L7853					0782								2.7
AA22014	FRT G RR W/H		*	MDR904					0702								2.9
AA22024	DRILL G INSTL								0702								2.10
AA23014	FRT G RR W/H		*	MDR904					0704								2.13
AA23024	DRILL G INSTL								0704								2.13
AA24014	RR W/H INSTL		*	MD12912					0702								2.15
AA24024	DRILL INSTL								0702								2.16
AA25014	RR W/H INSTL		*	MD12912					0704								2.18
AA25024	DRILL INSTL								0704								2.19
AA27014	INSL INST		*	L4401					0702								2.21
AA28014	INSL INST		*	L4401					0704								2.23
AA29014	FRT W/H		*	L3855					0702								2.25
AA30014	FRT W/H		*	L3855					0704								2.27
AA31014	FLR DRILL INSTL		*	MD14399		65	APN/APP		0702								2.29
AA32014	L/H W/H INSTR		*	MD14000			RI		0702								2.31
AA33014	L/H W/H INSTR		*	MD14000			RI		0704								2.33
AA34014	ST FACING SEYTEE		*	L6669			ENK		0786								2.35
AA34024	TABLE INSTL								0786								2.36
AA35014	CRUISE CONT		*	L3927			K30		0702								2.38
AA35024	DRILL L/O								0702								2.39
0010AA	FLR DRIVERS LH		1	698118					0702	6		0000060005			MO1900		2.41
0020AA	FLR DRIVERS RH		1	688829					0702	6		0000060010			MO1900		2.43

1 2 3 4 5 F.M.V.S.S.	REFERENCE	ZEO6X00	MODEL YEAR 1978
			ORIGIN DATE 770714
			LAST CHG. DATE
			LAST CHG. CODE
		MODEL APPLICATION	70 1C1 A 2
		UNDERBODY	BK U. P. C. GMP PAGE
		UPC DESCRIPTION	



PRODUCT DESCRIPTION MANUAL
ASSEMBLY INFORMATION

REV	PART OR TOOL DESCRIPTION	ADD'L DATA	QTY	PART NUMBER	ENGINE CODES	SERIES	REV BRK	ITEM RESTRICTION	DEPARTMENTS		CHANGE		LOGIC CODE	FUNCTION CODE	ADDITIONAL CODES	LINE NOS
									#1	2/STA	CD	AUTM				
	FLR ASM ENG CVR		1	712942					0702	6			0000060015			2.48
	NOTE: ITEMS #0040 THRU #0150 ARE PART OF ASM #0030.															
	FLOOR COVER		1	712943					0702	6						2.50
	COVER ENGINE		1	794439					0702	6						2.54
	SCREW CVR FLR		6	9425622					0702	6						2.56
	INSULATION		1	2000261					0702	6						2.58
	ADHESIVE		*	KM37113					0702	6						3.1
	SEAL A/R-CVR		*	8860766					0702	6						3.3
	LATCH ASM FLR		2	717332					0702	6						3.5
	SCREW LAT FLR		4	9418338					0702	6						3.7
	NUT SCR		4	9411281					0702	6						3.9
	SEAL COVER		*	8860998				APPROX. 11 FT PER VEH.	0705	6						3.11
	ADHESIVE		*	9981098					0702	6						3.13
	STAPLE SEAL		24	663269					0702	6						3.15
	NUT CVR LATCH		2	2483950					0702	6						3.17
	RETAINER CVR		1	701436					0702	6			0000060020	MC9210		3.19
	NUT CVR RET		5	700368					0702	6						3.21
	SUPPORT DR FLR		1	2009160					0702	5			0000050005			3.23
	SUPPORT DR UPR		1	712130					0702	5			0000050010			3.25
	EXTENSION SUPT		2	713235					0702	5			0000050015			3.27
	SUPPORT LGTDL		4	712126					0702	5			0000050020			3.29
	SUPPORT CTR FRT		2	712129					0702	5			0000050025			3.31
	WING CTR SUPT		2	2497228					0702	6						3.33
	MAT FLR EXT		1	791762					0782	41			0000410055			3.35

ITEMS	7E06X06												MODEL YEAR 1976			
	MODEL APPLICATION												ORIGIN DATE 770714			
	UNDERBODY												LAST CHG DATE			
	UPC DESCRIPTION												LAST CHG CODE			
REFERENCE												70 1C1 A 3				
												BX U. P. C. QMP PAGE				

PRODUCT DESCRIPTION MANUAL

ASSEMBLY INFORMATION

JMT 1061 REV. 8/78



ITEM	QTY	PART NUMBER	ADD'L DATA	DESCRIPTION	ENGINE CODES	SERIES	BODY BRK	ITEM RESTRICTION	DEPARTMENTS		CHANGE		LOGIC CODE	FUNCTION CODE	ADDITIONAL CODES	FNA	LINE NOS
									#1	2/STA	CD	AUTH					
0260AA		1 708916		RETAINER MAT LH					0784	62			0000625030				3.37
0270AA		1 708909		RETAINER MAT RH					0784	62			0000625035				3.39
0280AA		8 792150		SCREW RET/FLK					0784	62							3.41
0290AA		4 7642589		FASTENER MAT					0784	62			0000625040				3.43
0300AA		* 9981546		ADHESIVE MAT					0782	41							3.45
0310AA		10 162488		SCREW STEP 6 RSR					0702	6							3.47
0320AA		1 2006418		STEP 6 RISEK ASM					0702	6			000006025				3.49
0322AA				NOTE: ITEMS #0330 THRU #0400 ARE PART OF ASM #0320.					0702	6							3.51
0330ZA		1 2006417		RISEK FLR ERD					0702	6							3.53
0339ZA		6 712101		REINT STEP RSR					0702	6							3.55
0340ZA		1 712105		REINT RISER					0702	6							3.57
0345ZA		1 698121		SUPT					0702	6							3.59
0350ZA		1 698188		SUPT					0702	6							4.2
0359ZA		1 791367		RISEK					0702	6							4.4
0360ZA		16 9414726		SCREW					0702	6							4.6
0370ZA		1 698112		STEP					0702	6							4.8
0380ZA		16 9414726		SCREW					0702	6							4.10
0390ZA		* 8860768		ADHESIVE					0702	6							4.12
0400ZA		1 723188		BRACE					0702	6							4.14
0410AA		19 2067939		BOLT SUPT					0702	6							4.16
0420AA		19 9418304		WASHER					0702	6							4.18
0430AA		19 105320		WASHER					0702	6							4.20
0440AA		19 9418892		NUT RSR TO SUPT					0702	6							4.22
0450AA		1 156490		SCREW STEP RSR					0702	6							4.24
0460AA		1 9418304		WASHER					0702	6							4.26

ZE06X00

MODEL YEAR 1976
 ORIGIN DATE 770714
 LAST CHG DATE
 LAST CHG CODE

MODEL APPLICATION
 UNDERBODY
 UPC DESCRIPTION

70 101 A 4
 BK U. P. C. GMP PAGE



PRODUCT DESCRIPTION MANUAL

ASSEMBLY INFORMATION

GMT 1061 REV. 5/75

ITEM	SEQ	P/N	PART OR TOOL DESCRIPTION	ADD'L DATA	QTY	PART NUMBER	ENGINE CODES	SERIES	BODY BRK	ITEM RESTRICTION	DEPARTMENTS		CHANGE		LOGIC CODE	FUNCTION CODE	ADDITIONAL CODES	LINE NOS	
											#1	2/STA	CD	AUTH					
4470AA			WA LK		1	103320					0702	6						4.28	
4480AA			NUT		1	9418892					0702	6						4.30	
4490AA			PLATE ASM		2	701805			81-APP		0702	7			3487070007			4.32	
4490AA			PLATE ASM		4	701805			83		0702	7			0000070007			4.33	
4491AA			ITEM NO'S 0492 AND 0494 ARE PART OF ASM NO. 0490.									0702	7						4.35
4492AA			PLATE		1	701806					0702	7						4.37	
4494AA			WINGNUT PRAL		1	451761					0702	7						4.39	
4498AA			PLUG FLT HOLE		*	R36658			APP		0702	6						4.41	
4498AA			ADHESIVE		*	9981074			APP		0702	6						4.43	
4500AA			SCREW ANC PLY		4	9414726			81-APP		0702	7						4.45	
4500AA			SCREW ANC PLY		8	9414726			83		0702	7						4.46	
4510AA			SHIELD RSK SPH		2	701439					0702	7			0000070007			4.48	
4520AA			SCREW		4	9414724					0702	7						4.50	
4530AA			BOLT		4	2067939					0702	7						4.52	
4540AA			WASHER		4	9418304					0702	7						4.54	
4550AA			WA LK		4	103320					0702	7						4.56	
4560AA			NUT		4	9418892					0702	7						4.58	
4570AA			SCREW		4	156495					0702	7						5.1	
4580AA			WASHER		4	9418304					0702	7						5.3	
4590AA			WA LK		4	103320					0702	7						5.5	
4600AA			NUT		4	9417954					0702	7						5.7	
4610AA			FLUGR FR1		1	2008006					0702	6			0000060030			5.9	
4620AA			SUPPORT FR1 FLR		1	791359					0702	5			0000050030			5.10	
4630AA			L/MBL FR1 FR1		2	791354					0702	5			0000050035			5.11	
4640AA			CAP FR1 LH		2	792846					0702	7			0000070010			5.12	

ZE06X00

MODEL YEAR 1978
 ORIGIN DATE 770714
 LAST CHG DATE
 LAST CHG CODE

MODEL APPLICATION
 UNDFR BODY
 UFG DESCRIPTION

70 101 A 5
 BK U. P. C. GMP PAGE

F M V S S

REFERENCE

ITEM	SEQ	RT OR TOOL DESCRIPTION	ADD'L DATA	QTY	PART NUMBER	ENGINE CODES	SERIES	BODY BRK	ITEM RESTRICTION	DEPARTMENTS		CHANGE		LOGIC CODE	FUNCTION CODE	ADDITIONAL CODES	FM	JE JS
										81	2/STA	CD	AUTH					
0820AA		FLOOR RR		1	2008007			81	-KNC	0702	6			359906050	M			6.3
0820AB		FLOOR RR		1	2008397		60	83		0702	6			000006050	M			6.4
0820AC		FLOOR RR		1	2008009		65	83	-KNC	0702	6			359906050	M			6.5
0820AD		FLOOR RR		1	2008008				KNC	0702	6			349506050	M			6.6
0830AA		CLVER RR FLK		1	791378					0702	5			000005005	M			6.8
0840AA		BULT FLK CVK		4	2067939			81		0702	5							6.10
0849AA		TAPE		*	R34796			83		0702	6							6.12
0850AA		WASHER		4	9418304			81		0702	5							6.14
0860AA		WA LR		4	103320			81		0702	5							6.16
0870AA		WGT		4	9418892			81		0702	5							6.18
0880AA		FLOOR ASM RR AUX		1	792910			81	-ENK	0786	78			352378500	M			6.20
0880AB		FLOOR ASM RR AUX		1	797526			81	ENK	0786	78			345278500	M			6.21
0882AA		NOTE: ITEMS #0890C THRU			0935 ARE PART OF					0786	78							6.22
0890AA		SPACER FLR SI		1	2008371			81		0786	78							6.23
0900AA		SPACER		2	792432			81		0786	78							6.25
0910AA		SPACER FLR SI		1	792430			81		0786	78							6.27
0920AA		FLOOR RR AUX		1	792430			81	-ENK	0786	78							6.29
0920AB		FLOOR RR AUX		1	797527			81	ENK	0786	78							6.31
0930AA		ADHESIVE		*	8860959			81		0786	78							6.33
0935AA		SCREW		8	9426465			81		0786	78							6.34
0950AA		SCREW		6	149135			81		0786	78							6.36
0960AA		RISER FLR		1	792433			81		0786	78			0000785010	M			6.40
0970AA		SCREW		3	9426466			81		0786	78							6.42
0980AA		SCREW		3	9426483			81		0786	78							6.44
0990AA		RIVET		18	708648					0702	6							6.46
1000AA		CAP FLR SUPT LH		2	792847					0702	7			0000070020	M			6.48
1010AA		CAP FLR SUPT RH		2	792849					0702	7			0000070025	M			6.50

1 2 3 4 5 F.M.V.S.B.	REFERENCE	70000000	MODEL YEAR 1978
			ORIGIN DATE 770714
			LAST CHG DATE
			LAST CHG CODE
		MODEL APPLICATION UNDERBODY	7C 1C1 A 7
		UPC DESCRIPTION	BK U. P. C. GRP PAGE



PRODUCT DESCRIPTION MANUAL

ASSEMBLY INFORMATION

GMT 1061 REV. 5/78

ITEM	PART OR TOOL DESCRIPTION	ADD'L DATA	QTY	PART NUMBER	M O D	ENGINE CODES	SERIES	BODY BRG	ITEM RESTRICTION	DEPARTMENTS		CHANGE		LOGIC CODE	FUNCTION CODE	ADDITIONAL CODES	FNA	LINE NOS
										#1	2/STA	CD	AUTH					
1020AA	SEALER		*	9985041				65		0702	7							6.52
1030AA	SUPT BODY RH		1	2001709						0702	5			0000050100				6.54
1040AA	SUPT BODY LH		1	2001708						0702	5			0000050105				6.54
1050AA	SPALLR BDY MTG		2	701354						0702	5			0000050110				6.54
1060AA	EXTENSION		2	691646						0702	5			0000050115				7.1
1070AA	ADHESIVE		*	8860766						0702	4							7.3
1080AA	COVER ASM M/G		1	2006226				81		0704	8			0000080003				7.5
1080AB	COVER ASM M/G		1	2009152				83KNC		0704	8			3495080003				7.6
1090AA	SEALER		*	R35174				81		0704	8							7.8
1090AB	SEALER		*	R35174				83KNC		0704	8							7.9
1095AA	SCREW ASM		18	2006657				81		0704	8							7.11
1095AC	SCREW ASM		18	2009377				83KNC		0704	8							7.11
1100AA	SCREW ASM		18	2009377				81		0704	8							7.14
1100AB	SCREW ASM		18	2006657				83KNC		0704	8							7.15
1110AA	COVER LP GAS TR		1	2006225				81		0704	8			0000080005				7.17
1120AA	TAPE L/P TR CVR		*	8861094				81		0704	8							7.19
1120AB	TAPE L/P TR CVR		*	8861094				83KNC		0704	8							7.20
1130AA	SCREW ASM		13	2009377				81		0704	8							7.22
1130AA	SCREW ASM		24	2006657				81		0704	8							7.24
1140AA	SEALER		*	R35174				81		0704	8							7.26
1145AA	PLATE BED LAR		1	2011616				81		0704	8			0000080010				7.28
1146AA	RIVET		3	700368				81		0704	8							7.30
1150AA	SHEET INSL BKG		1	2008307				81		0702	6			0000060055				7.31
1150AB	SHEET INSL BKG		1	2008307				83BRQ		0702	6			3597060055				7.33
1160AA	SHEET INSL BKG		1	2008312				81-APN/APP		0702	6			3600060060				7.35
1170AA	SHEET INSL BKG		1	2008310				81-APN/APP		0702	6			3600060065				7.37
1180AA	SHEET INSL BKG		1	2008315				81		0702	6			0000060070				7.39
1180AB	SHEET INSL BKG		1	2008315				83BRQ		0702	6			3597060070				7.40

1 2 3 4 5 6 7 8 9 10 11 12 13 14 15 16 17 18 19 20 21 22 23 24 25 26 27 28 29 30 31 32 33 34 35 36 37 38 39 40 41 42 43 44 45 46 47 48 49 50 51 52 53 54 55 56 57 58 59 60 61 62 63 64 65 66 67 68 69 70 71 72 73 74 75 76 77 78 79 80 81 82 83 84 85 86 87 88 89 90 91 92 93 94 95 96 97 98 99 100	REFERENCE	2E06X00	MODEL YEAR 1978
		MODEL APPLICATION UNDERBODY UPC DESCRIPTION	ORIGIN DATE 770714 LAST CHG DATE LAST CHG CODE 76 1C1 A 8 BR U P C GRP PAGE



PRODUCT DESCRIPTION MANUAL

ASSEMBLY INFORMATION

GMT 1061 REV. 8/78

LT	PART OR TOOL DESCRIPTION	ADD'L DATA	QTY	PART NUMBER	ENGINE CODES	SERIES	REV BPK	ITEM RESTRICTION	DEPARTMENTS		CHANGE		LOGIC CODE	FUNCTION CODE	ADDITG CODES	FNA	LINE NOS
									#1	2/STA	CD	AUTH					
1190AA	SHEET INSL PKG		2	200R317					0702	6			0000060075				7.39
1200AA	SHEET INSL PKG		1	200R319					0702	6			0000060080				7.41
1210AA	SHEET INSL PKG		1	200R320					0702	6			0000060085				7.43
1215AA	SHEET INSL BKG		1	200R328				P1-KNC	0702	6			3599060090				7.45
1220AA	SHEET INSL PKG		1	200R308				P1-APN/APP	0702	6			3600060095				7.47
1225AA	SHEET INSL BKG		1	200R329				P1-KNC	0702	6			2599060100				7.49
1230AA	SHEET ASM		1	2010164					0702	6			0000060105				7.51
1230AB	SHEET ASM		1	2010164		65	83		0702	6	55775		0000060105				7.52
1240AA	SHEET ASM		1	200R330					0702	6			0000060110				7.54
1240AB	SHEET ASM		1	200R330		65	83		0702	6	55775		0000060110				7.55
1250AA	SHEET ASM		1	200R383					0702	6			0000060115				7.57
1270AA	INSULATION M/G		1	200R168				P1	0704	8			0000080015				7.59
1270AB	INSULATION M/G		1	200R168				83KNC	0704	8			3495030015				8.1
1280AA	INSULATION M/G		1	200R169				81	0704	8			0000080220				8.3
1280AB	INSULATION M/G		1	200R169				83KNC	0704	8			3495080020				8.4
1290AA	INSULATION M/G		1	200R170				81	0704	8			0000080225				8.6
1290AB	INSULATION M/G		1	200R170				83KNC	0704	8			3495080025				8.7
1295AA	ADHESIVE M/G		*	RH37378				83KNC	0704	8							8.9
1300AA	INSULATION LPG	1 LB EA	*	R37391				81	0705	18							8.11
1360AA	FORM 70 LB EA		*	R37391		65			0705	18							8.13
1360AB	FORM 15 LB EA		*	R37391		60			0705	18							8.14
1370AA	SHIELD FLR FOAM		1	2004270				P1	0705	18			00001F0005				8.16
1380AA	PANEL FRNT W/H RH		1	696198					0782	50			0000500005				8.18
1390AA	PANEL FRNT W/H LH		1	696199					0782	50			0000500010				8.20
1395AA	PANEL RR INSL		2	721355				F3	0782	50			0000500015				8.22

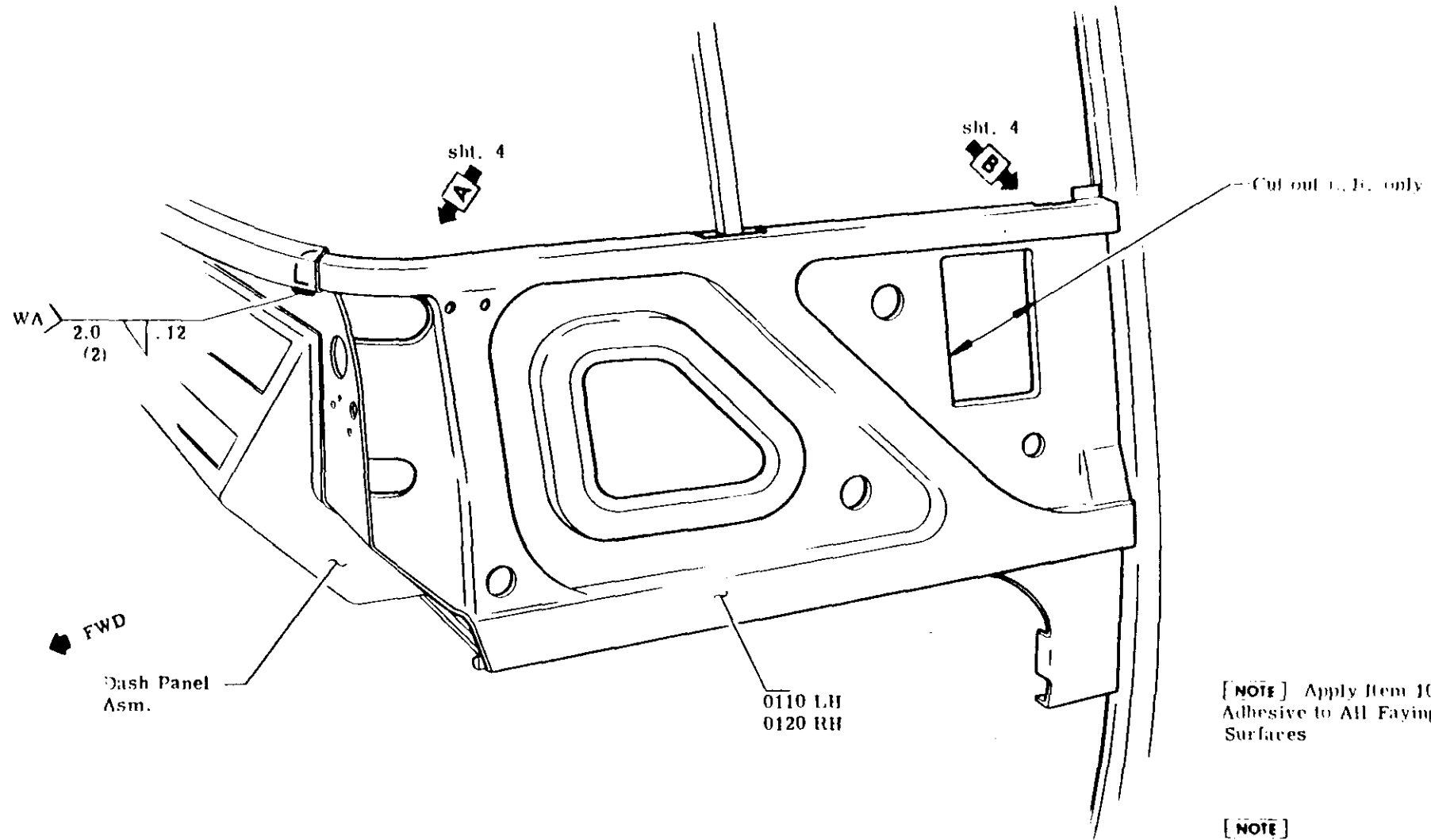
F.M.V.B.	REFERENCE	ZEO6X00	MODEL YEAR 1978
		MODEL APPLICATION	ORIGIN DATE 770714
		UNDER BODY	LAST CHG. DATE
		UPC DESCRIPTION	LAST CHG. CODE
			70 101 A 9
			BK V. P. C. GMP PAGE

PRODUCT DESCRIPTION MANUAL
ASSEMBLY INFORMATION

ITE	PART OR TOOL DESCRIPTION	ADD'L DATA	QTY	PART NUMBER	ENGINE CODES	SERIES	BOY BRK	ITEM RESTRICTION	DEPARTMENTS		CHANGE		LOGIC CODE	FUNCTION CODE	ADDITIONAL CODES	FNA	LINE NOS
									#1	2/51A	CD	AUTH					
1400AA	SHIELD W/H PANEL		1	714598					0782	50			0000	5000	20		8.24
1410AA	WR SHLD W/H PNL AS REQD		*	9985277					0782	50							8.24
1420AA	SC ASM W/H PNL		12	9420432					0782	50							8.27
1430AA	NUT		12	9433159					0782	50							8.30
1440AA	BOLT		2	9419022					0782	50							8.32
1450AA	WASHER		2	2305300					0782	50							8.34
1460AA	PANEL		2	2027321					0704	8			0000	0800	30		8.36
1470AA	TAPE HTR PNL FLR 446 IN		*	8861094					0704	8							8.38
1480AA	SCREW W/H PNL		19	2006657					0704	8							8.40
1490AA	SCRFW W/H PNL		15	2009377					0704	8							8.42
1500AA	SHEET INSL BKG		1	2008324				APN&APP	0702	6			3603	0601	20		8.44
1510AA	SHEET INSL BKG		1	2008325				APN-APP	0702	6			3604	0601	25		8.46
1520AA	SHEET INSL BKG		1	2008323				APP-APN	0702	6			3605	0601	30		8.48
1520AB	SHEET INSL BKG		1	2009323		65		BRQ	0702	6			3597	0601	30		8.49
1530AA	SHEET INSL BKG		1	2008313				APN&APP	0702	6			3603	0601	35		8.51
1570AA	SHEET INSL BKG		1	2008376		60	P3		0702	6			0000	0601	45		8.53

2008376 REFERENCE FMVSS	ZEO6X00		MODEL YEAR 1978
	MODEL APPLICATION UNDERBODY		ORIGIN DATE 770714
	UPC DESCRIPTION		LAST CHG DATE
			LAST CHG CODE
		70 101 A 10	BK U. P. C. GRP PAGE

GMT 922 1/75



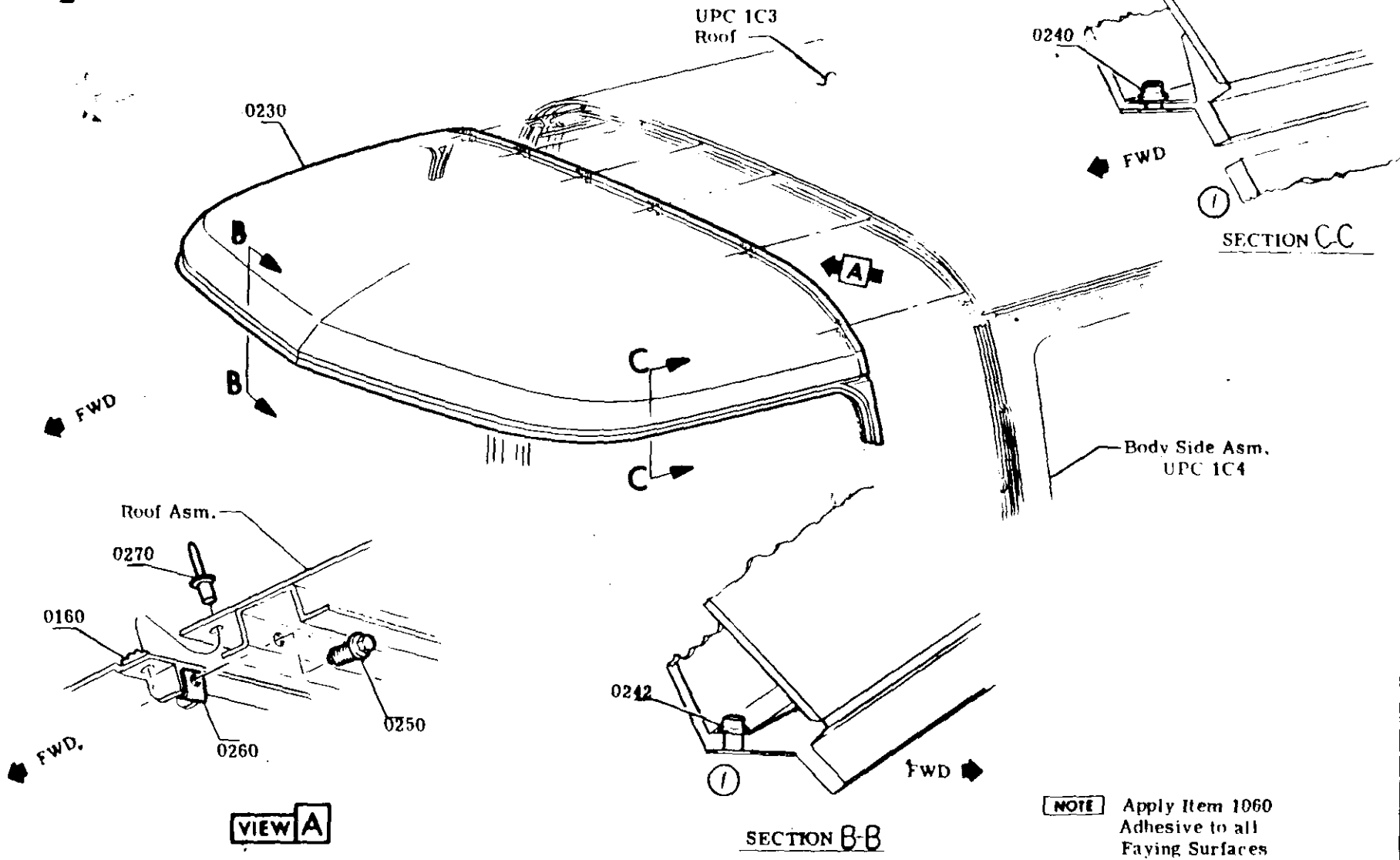
[NOTE] Apply Item 1060
Adhesive to All Faying
Surfaces

[NOTE]
L.H. Shown
R.H. Sym. opposite

DYNAMIC (Installation) - LBS	MAINT (Inspection) - LBS	DATE	SYM	REVISION	AUTH	DR	EX	DEPARTMENTS
△				ORIGINAL RELEASE	47000			
△								
△								
△								
△								

'78 TRUCK		BOOK 70	
TITLE			
PANEL FRONT SIDE - INNER			
NAME	BODY FRONT FRAME	DIVISION/UPC	SHEET
		1C2A	3

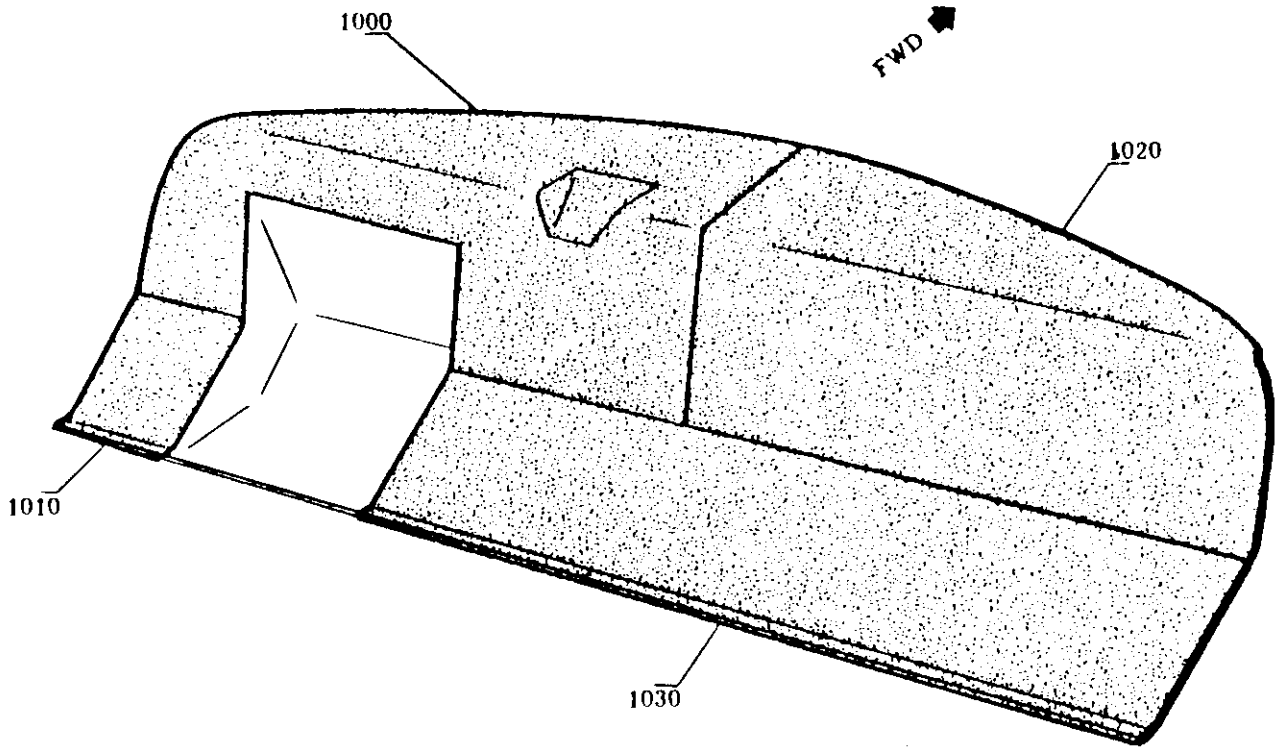
GM 922 1/75



DYNAMIC (Installation) - LBS	HAND (Inspection) - LBS	DATE	SYM	REVISION	AUTH	DR	CR	DEPARTMENTS
▲		6-27-72		ORIGINAL RELEASE	W. B. CO.	SK. 50		
▲		8-2-77	1	SEC. B-B REV. & C-C ADD. & P.	25767	9/1/77		
▲								
▲								
▲								

78 TRUCK		BOOK 70	
TITLE			
FRONT ROOF CAP ASM. TO BODY ASM.			
NAME	DIVISION/UPC	SHEET	
BODY FRONT FRAME	1C2A	6	

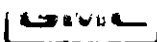
GMT 922 1-73



NOTE!
 Use Item 1050 Adhesive

DYNAMIC Installation -- LBS	HARD (Inspection) LBS	DATE	SYM	REVISION	AUTH	DR	EN	DEPARTMENTS	'78 TRUCK		BOOK 70	
				ORIGINAL RELEASE	4/22/00				TITLE			
									INSULATION - DASH & TOE PANEL			
									NAME	BODY FRONT FRAME	DIVISION	SHEET
											1C2A	12

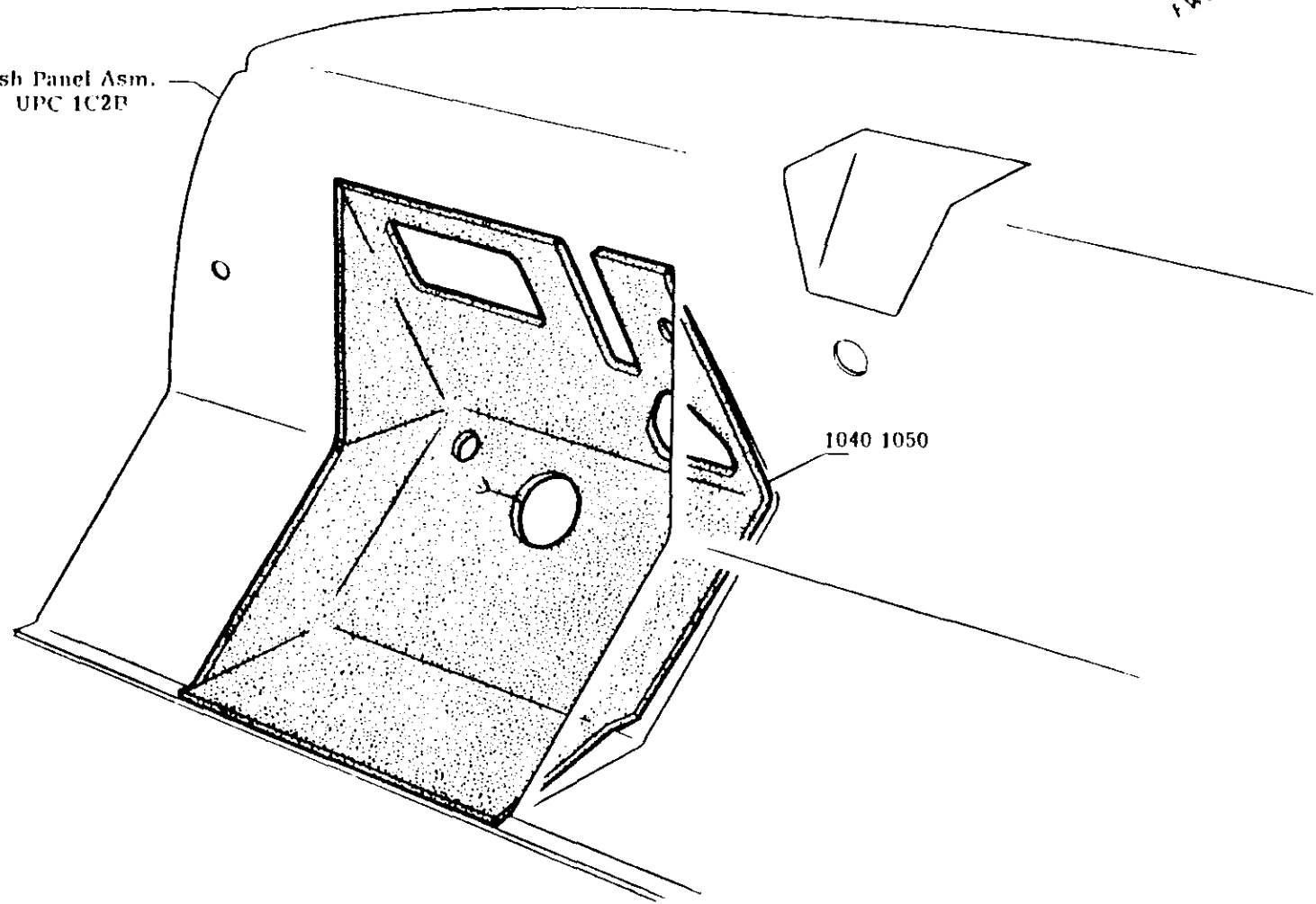
- ▲
- ▲
- ▲
- ▲
- ▲



GMI 722 1-73

FWD

Dash Panel Asm.
UPC 1C2B



DYNAMIC (Installation) - LBS	HAND (Inspection) - LBS	DATE	SYM	REVISION	AUTH	DR	CK	DEPARTMENTS
		12-73		ORIGINAL RELEASED	J. J. J.	J. J. J.		

'78 TRUCK		BOOK 70	
TITLE INSULATION - DRIVER FLOOR			
NAME BODY FRONT FRAME	DIVISION 1C2A	SHEET 13	



PRODUCT DESCRIPTION MANUAL

ASSEMBLY INFORMATION

GMT 1061 REV 5/75

ITEM	QTY	PART OR TOOL DESCRIPTION	ADDL DATA	QTY	PART NUMBER	M O I D	ENGINE CODES	SERIES	BODY BUNK	ITEM RESTRICTION	DEPARTMENTS		CHANGE		LOGIC CODE	FUNCTION CODE	ADDITIONAL CODES	FNA	LINF NOS
											#1	2/STA	CD	AUTH					
AA01014		INSUL INSTL		*	L4401						0702								1.8
AA02014		INSUL INSTL		*	L4401						0704								1.10
AA03014		UR FLR INSL		*	L6086						0704								1.12
AA03024		INSTL									0704								1.13
AA04014		FRT ROOF SURF		*	L2968						0702								1.15
AA04024		L W/S									0702								1.16
AA05014		FRT ROOF SURT		*	L2968						0704								1.18
AA05024		L W/S									0704								1.19
AA06014		GRF PNL		*	L2974						0702								1.21
AA07014		LWR FRT SURF		*	L2977						0702								1.23
AA08014		LRR FRT SURF		*	L2977						0704								1.25
AA09014		FRT STRUCTURE		*	L7856						0702								1.27
AA09024		L STRG COL SUPT									0702								1.28
AA10014		FRT STRUCTURE		*	L7856						0704								1.30
AA10024		L STRG COL SUPT									0704								1.31
AA11014		FRT ACC DR		*	L3866						0782								1.33
AA12014		FRT ACC DR		*	L3866						0702								1.35
AA13014		FRT ACC DR		*	L3866						0704								1.37
AA14014		DA PNL INSUL		*	L7851						0782								1.39
AA14024		INSTL									0782								1.40
AA15014		DA PNL INSUL		*	L7851						0704								1.42
AA15024		INSTL									0704								1.43
AA16014		120V5 CIRC E		*	L6779						0702		56411						1.45
AA16024		SCHEMATIC									0702								1.46
AA17014		120V5 CIRC E		*	L6779						0704								1.48
AA17024		SCHEMATIC									0704								1.49
CC100AA		PANEL ASH DA		1	2003633						0702	5		0000050120					1.51
CC15AA1		NOTE: ITEM #0020 THRU #0070 ARE PART OF ASH #0010.									0702	5							1.53
CC20ZA		PANEL DASH		1	2003215						0702	5							1.55

ZE06X00

MODEL YEAR 1978
 ORIGIN DATE 770714
 LAST CHG DATE
 LAST CHG CODE
 7U 1C2A A 1
 BK U P C ONP PAGE

MODEL APPLICATION
 BODY FRT FRAME
 UPC DESCRIPTION

REFERENCE

GMVSS

PRODUCT DESCRIPTION MANUAL

ASSEMBLY INFORMATION

GMT 1061 REV. 8/78

GMC TRUCK & COACH

ITEM	S E Q	P V S	RT OR TOOL DESCRIPTION	ADD'L DATA	Q T Y	PART NUMBER	ENGINE CODES	SERIES	BODY BRN	ITEM DESCRIPTION	DEPARTMENTS		CHANGE		LOGIC CODE	FUNCTION CODE	ADDITIONAL CODES	FNA	LINE NOS
											#1	2/STA	CD	AUTH					
0030	ZA		E. LR LWR DA		1	694010					0702	5							1.57
0035	ZA		PLT ELEC CMP MTG		1	2004361					0782	38							1.59
0040	AAI		NOTE: ITEM #0041 AND #0042 ARE PART OF ASM #0035.									0782	38						2.2
0041	ZA		PLATE ELEC CMP		1	2004467					0782	38							2.4
0042	ZA		RIVNU1		4	2248137					0782	38							2.6
0050	ZA		RIVET PLT/PNL		10	700368					0782	38							2.8
0060	ZA		RIVET EXT/PNL		22	700368					0782	38							2.10
0065	ZA		RIVET EXT/PNL		5	793289					0782	38							2.12
0070	ZA		FLT DA PNL RDO		1	703037					0782	38							2.14
0400	AA		REINF BELT RL		2	703652					0702	5			0000050125			M	2.16
0410	AA		PANEL SI INR LH		1	2000701					0702	5			0000050130			M	2.18
0420	AA		PANEL SI INR RH		1	2000702					0702	5			0000050135			M	2.20
0440	AA		REINF RL LF		1	2001948					0702	5			0000050140			M	2.22
0450	AA		REINF RL RH		1	2001949					0702	5			0000050145			M	2.24
0460	AA		ADHESIVE DA/FLR		*	RH33056					0702	5							2.26
0461	AAI		NOTE: APPLY ADHESIVE TO ALL FAYING SURFACES									0702	5						2.28
0470	AA		ADHESIVE		*	9981098					0702	5							2.30
0480	AA		SEALER LA PNL		*	R 30709					0702	5							2.32
0490	AA		RIVET BELT RL/DA		10	700368					0702	5							2.34
0495	AA		PILLAR ASM W/S		1	702531					0704	9			0000090025			M	2.36
0496	AAI		NOTE: ITEM #0201 THRU #0203 ARE PART OF ASM #0195.									0704	9						2.38
0201	ZA		PILLAR W/S CTR		1	698115					0704	9							2.40
0202	ZA		POST FLT CTR		1	701407					0704	9							2.42
0203	ZA		BRKT CTR POST		1	701403					0704	9							2.44

ZE06X60

MODEL APPLICATION
BODY FRT FRAME
UPC DESCRIPTION

MODEL YEAR 1978
ORIGIN DATE 770714
LAST CHG. DATE
LAST CHG. CODE
70 102A A 2
BK U. P. C. OPP PAGE



PRODUCT DESCRIPTION MANUAL

ASSEMBLY INFORMATION

GMT 1041 REV. 8/78

ITEM	S E O	P V S	PART OR TOOL DESCRIPTION	ADD'L DATA	QTY	PART NUMBER	ENGINE CODES	SERIES	BOY BRK	ITEM RESTRICTION	DEPARTMENTS		CHANGE		LOGIC CODE	FUNCTION CODE	ADDITIONAL CODES	FNA	LINE NOS
											#1	2/STA	CD	AUTH					
07132A			ERRKT LWR ARM		1	709360					0704	10							4.30
07142A			BRKT UPR ARM		1	712463					0704	10							4.32
07152A			RIVET ARM/BRKT		3	3715951					0704	10							4.34
07162A			WA RIVET		3	446161					0704	10							4.36
0719AA			STRUT ASM LK RH		1	709361					0704	10			0000100035			M	4.38
0720AA			NOTE: ITEMS #0721 THRU #0726 ARE							PART OF ASM #0719	0704	10							4.40
07212A			ARM LWR STRUT		1	709358					0704	10							4.42
07222A			ARM UPR STRUT		1	709359					0704	10							4.44
07232A			BRKT LWR ARM		1	709356					0704	10							4.46
07242A			BRKT UPR ARM		1	709357					0704	10							4.48
07252A			RIVET ARM/BRKT		3	3715951					0704	10							4.50
07262A			WA RIVET		3	446161					0704	10							4.52
0730AA			DOOR ENG ALL LH		1	691630					0704	10			0000100040			M	4.54
0740AA			DOOR ENG ALL RH		1	691629					0704	10			0000100045			M	4.56
0750AA			SCR DR HINGE		16	157175					0704	10							4.58
0760AA			WA HINGE SCR		16	9421089					0704	10							5.1
0770AA			WA HINGE SCR		16	138479					0704	10							5.3
0780AA			TGT HINGE SCR		16	120614					0704	10							5.5
0790AA			BUMPER ALL DR		4	8660971					0705	33			0000330005			M	5.7
0800AA			PLATE DR WEAR		4	704207					0704	9			0000090085			M	5.9
0810AA			RIVET WEAT PLY		8	2397326					0704	9			0000090090			M	5.11
0820AA			LATCH ALL DOOR		4	707991					0704	10			0000100048			M	5.13
0830AA			RIVET DR LATCH		8	668290					0704	10							5.15
0850AA			PANEL GRILLE LWR		1	697789					0705	22			0000220010			M	5.17

ZE06X00

MODEL YEAR 1978
 ORIGIN DATE 770714
 LAST CHG DATE
 LAST CHG CODE
 70 1C2A A 5
 BK U. P. C. DRP PAGE

MODEL APPLICATION
 BODY FRT FRAME
 UPC DESCRIPTION

REFERENCE

P.M.V.S.S.

QTY	PART OR TOOL DESCRIPTION	UNIT DATA	PART NUMBER	ENGINE CODES	LIBS	BODY	REVISION	DATE	BY	CHKD	APPROVED
1	SRUT PANEL LH		706018				0754	67			
1	SRUT PANEL RH		706017				0754	67			
4	BOLT LWR PNL		451976				0754	50			
8	WA PNL BOLT		9421042				0754	50			
4	BOLT PNL BOLT		9431796				0754	50			
1	PNL GA INSL LH		2012689				0782	59			
1	PNL GA INSL RH		721353				0782	59			
1	PNL LA INSL RH		2005007				0782	59			
1	PNL LA INSL LH		2005006				0782	59			
1	INSUL CR FLR		721352				0782	59			
*	ADHESIVE	AS REQD	9985134				0782	59			
*	ADHESIVE BODY		6360760				0782	59			
2	SEAL,GA PNL		2034447				0782	59			
2	SEAL,LA PNL		2034448				0782	59			

53000

7E00X00

MODEL APPLICATION
BODY FRT FRAME

UPC DESCRIPTION

MODEL YEAR 75

ORIGIN DATE 77013

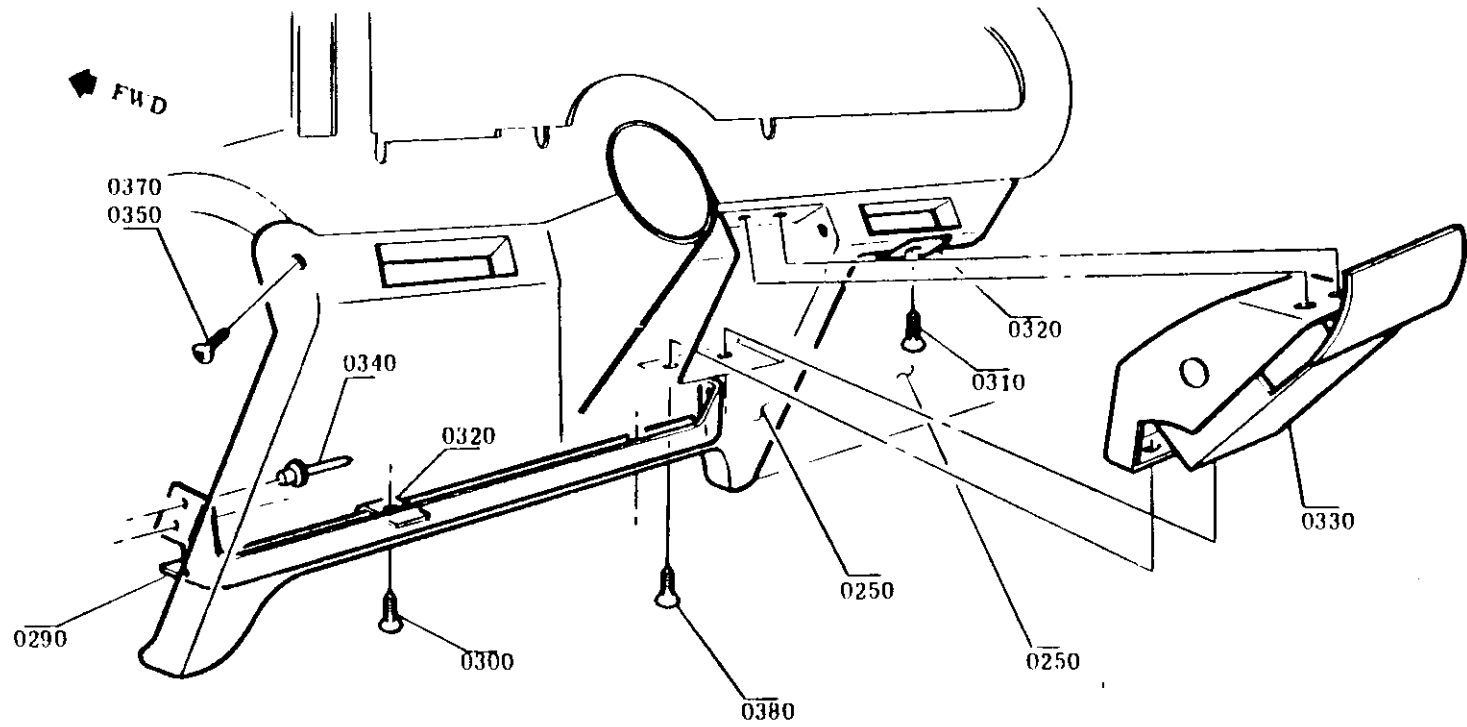
LAST ORIG DATE 771008

ASSEMBLY CODE 61394

70 104A A 6

SK U P C SHP PAGE

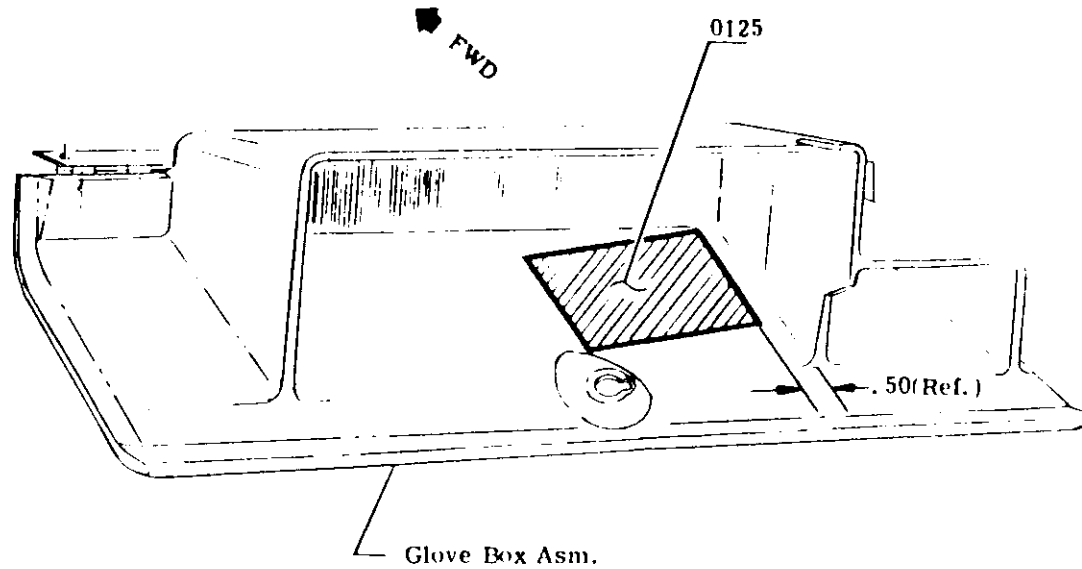
GMT 922 1/75



DYNAMIC (Installation) - LBS	HAND (Inspection) - LBS	DATE	SYM	REVISION	AUTH	DR	CK	DEPARTMENTS	TITLE
				ORIGINAL RELEASE	1/2000	45			1978 TRUCK BOOK 70
									INSTRUMENT PANEL VALANCE
									NAME: INSTRUMENT PANEL
									DIVISION/UPC: 1C2B
									SHEET: 4

- △
- △
- △
- △
- △

GMF 922 1 75



DYNAME (Installation) - LBS	MAWD (Inspection) - LBS	DATE	SYM	REVISION	AUTH	DR	CR	DEPARTMENTS	TITLE	SHEET
		1-7-77		ORIGINAL RELEASE	470006				'78 TRUCK	BOOK
									WARNING LABEL ZEO6083, ZEO6583	
									INSTRUMENT PANEL	5

PRODUCT DESCRIPTION MANUAL
ASSEMBLY INFORMATION

ITEM	S E Q	P V S	RT OR TOOL DESCRIPTION	ADD'L DATA	Q T Y	PART NUMBER	ENGINE CODES	SERIES	REV BRK	ITEM RESTRICTION	DEPARTMENTS		CHANGE		LOGIC CODE	FUNCTION CODE	ADDITIONAL CODES	ENR	LINE NOS
											#1	2/STA	CD	AUTH					
AA01014			INST PNL L/D		*	L6920					0782								1.9
AA02014			C/BOX LK U INSTL		*	L7871					0782								1.10
AA03014			INST CSTR INSTL		*	L8039				STD/UM2/U58/697/698	0782								1.12
AA04014			INST CSTR INSTL		*	L7869				641T/685T	0782								1.14
AA05014			LK CYL ENTR		*	L6635					0782								1.16
AA05014			LK INSTL		*						0782								1.17
AA06014			STRG CUL VAL PNL		*	L6913					0782								1.19
AA07014			INDV G/S RECEPT		*	L7844				U97	0782								1.21
AA08014			DECAL LCC		*	L4324				83	0782								1.23

K S * S	2E06XG0	MODEL YEAR 1978
	MODEL APPLICATION	ORIGIN DATE 770714
	INSTRUMENT PANEL	LAST CHG. DATE
	UPC DESCRIPTION	LAST CHG. CODE
F.M.V.S.S.	REFERENCE	70 1024 A 1
		BK U P C. QMP PAGE

PRODUCT DESCRIPTION MANUAL

ASSEMBLY INFORMATION

GMT 1981 REV. 8/78

GMC TRUCK & COACH

ITEM	PART OR TOOL DESCRIPTION	ADD'L DATA	QTY	PART NUMBER	M O D	ENGINE CODES	SERIES	BODY BRK	ITEM RESTRICTION	DEPARTMENTS		CHANGE CD	AUTH	LOGIC CODE	FUNCTION CODE	ADDITIONAL CODES	P.N.A.	LINE NOS
										#1	2-STA							
0010AA	PANEL ASM INSTR		1	2003627				83		0782	44			0000440000			00100	1.24
0010AB	PANEL ASM INSTR		1	2003627				81641/697/685		0782	44			6038440000			00100	1.24
0010AC	PANEL ASM INSTR		1	2003628				81698		0782	44			3484440000			00100	1.24
0010AA1	NOTE: ITEM QUANTITY IS 1000 ARE PART OF ASM #0005									0782	44							1.30
0011CA	PNL LH INST		1	2000705				83		0782	44						04004	1.32
0011CB	PNL LH INST		1	2000705				81641/697/685		0782	44						04004	1.32
0011CC	PNL LH INST		1	2003629				81698		0782	44						04004	1.32
0012CA	PNL RH INST		1	2000706				83		0782	44						04114	1.32
0012CB	PNL RH INST		1	2000706				81641/697/685		0782	44						04114	1.32
0012CC	PNL RH INST		1	2003630				81698		0782	44						04114	1.32
0013CA	PNL LWR HTR UFLT		1	2005136				83		0782	44						04174	1.40
0013CB	PNL LWR HTR UFLT		1	2005136				81641/697/685		0782	44						04174	1.40
0013CC	PNL LWR HTR UFLT		1	2005137				81698		0782	44						04174	1.40
0014CA	PNL LWR INSTR		1	2005204				83		0782	44						04174	1.40
0014CB	PNL LWR INSTR		1	2005204				81641/697/685		0782	44						04174	1.40
0014CC	PNL LWR INSTR		1	2005205				81698		0782	44						04174	1.40
0015CA	PAU MAIN CRASH		1	2000707				83		0782	44						03819	1.50
0015CB	PAU MAIN CRASH		1	2000707				81641/697/685		0782	44						03819	1.50
0015CC	PAU MAIN CRASH		1	2003213				81698		0782	44						03819	1.50
0016CA	BRKT VAL SUPT		1	2001523						0782	44						01304	1.52
0017CA	REINF G/BOX		1	2005209				83		0782	44						03101	1.54
0017CB	REINF G/BOX		1	2005210				81641/697/685		0782	44		00754				03101	1.54
0017CC	REINF G/BOX		1	2005210				81698		0782	44						03101	1.54
0018CA	RIVET		21	716846						0782	44						03821	1.58
0019CA	ADHESIVE A/K		*	8861067						0782	44						00038	1.59
0020CA	RIVET		11	683102						0782	44						05437	1.63
0040AA	SCR REINF I/P		4	9436828						0782	44						00114	1.65
0050AA	WA I/P UPR MTG		10	140251						0782	44						00124	1.67
0060AA	SCR I/P UPR MTG		10	9419873						0782	44						00125	1.67
0070AA	SCR & WA LWR		9	4703984						0782	44						00126	1.67
0080AA	COMPT INSTR PNL		1	2005281				83		0782	44			0000440000			00400	1.14
0080AB	COMPT INSTR PNL		1	2005281				81641/685/697		0782	44			6038440000			00400	1.14
0080AC	COMPT INSTR PNL		1	2005981				81698		0782	44			3484440000			00400	1.15

	ZE06 X00	MODEL YEAR 1978 ORIGIN DATE 770714 LAST CHG DATE 770919 LAST CHG CODE 00754
F.M.V.B.B.	REFERENCE	MODEL APPLICATION INSTRUMENT PANEL UPC DESCRIPTION
		70 1026 A 2 BK U. P. C. GRP PAGE

ITEM	S E Q	P V S	T OR TOOL DESCRIPTION	ADD'L DATA	Q T V	PART NUMBER	M O D	ENGINE CODES	SERIES	BOY BRN	UM 2/U56	DEPARTMENTS		CHANGE		LOGIC CODE	FUNCTION CODE	ADDITIONAL CODES	FN#	F S	
												#1	2/STA	CD	AUTH						
280	AAA		SCR NET CVR		1	9414726						0782	45								3.6
290	AAA		FRNT VAL PNL		1	2000300						0782	45			0000	450030				3.8
300	AAA		SCR VAL PNL		2	161895						0782	50								3.10
310	AAA		SCR VAL PNL		2	9414724						0782	50								3.12
320	AAA		NUT VAL PNL SCR		4	9422836						0782	50								3.14
330	AAA		TRAY ASM ASM		1	2003208				83		0782	50			0000	500030				3.16
330	AB		TRAY ASM ASM		1	2003208				81641/685/697		0782	50			6038	500030				3.17
330	AC		TRAY ASM ASM		1	2003209				81698		0782	50			3484	500030				3.18
340	AAA		RIVET		4	2491399						0782	50								3.20
350	AAA		SCR V/P TO I/P		2	9417311						0782	50								3.22
360	AAA		SCR V/P TO I/P		1	9420721						0782	50								3.24
370	AAA		NUT		1	1603529						0782	50								3.26
380	AAA		SCR V/P TRAY		4	9419663						0782	50								3.28
390	AAA		SCR G/BOX		4	9422245						0782	44								3.30
400	AAA		STOP G/BOX		1	1603122						0782	44			0000	440095				3.32
410	AAA		SCR STOP		1	9415366						0782	44								3.34
420	AAA		RIVNUT		1	2464969						0782	44								3.36
430	AAA		RIVET		1	2018275						0782	44								3.38

ZE06X00

MODEL YEAR 1978
 ORIGIN DATE 770714
 LAST CHG. DATE
 LAST CHG. CODE
 70 1C2B A 4
 BK U. P. C. BRP PAGE

MODEL APPLICATION
 INSTRUMENT PANEL
 UPC DESCRIPTION

REFERENCE

F M V S S

PRODUCT DESCRIPTION MANUAL

ASSEMBLY INFORMATION

QMT 1081 REV. 5/78

GMC TRUCK & COACH

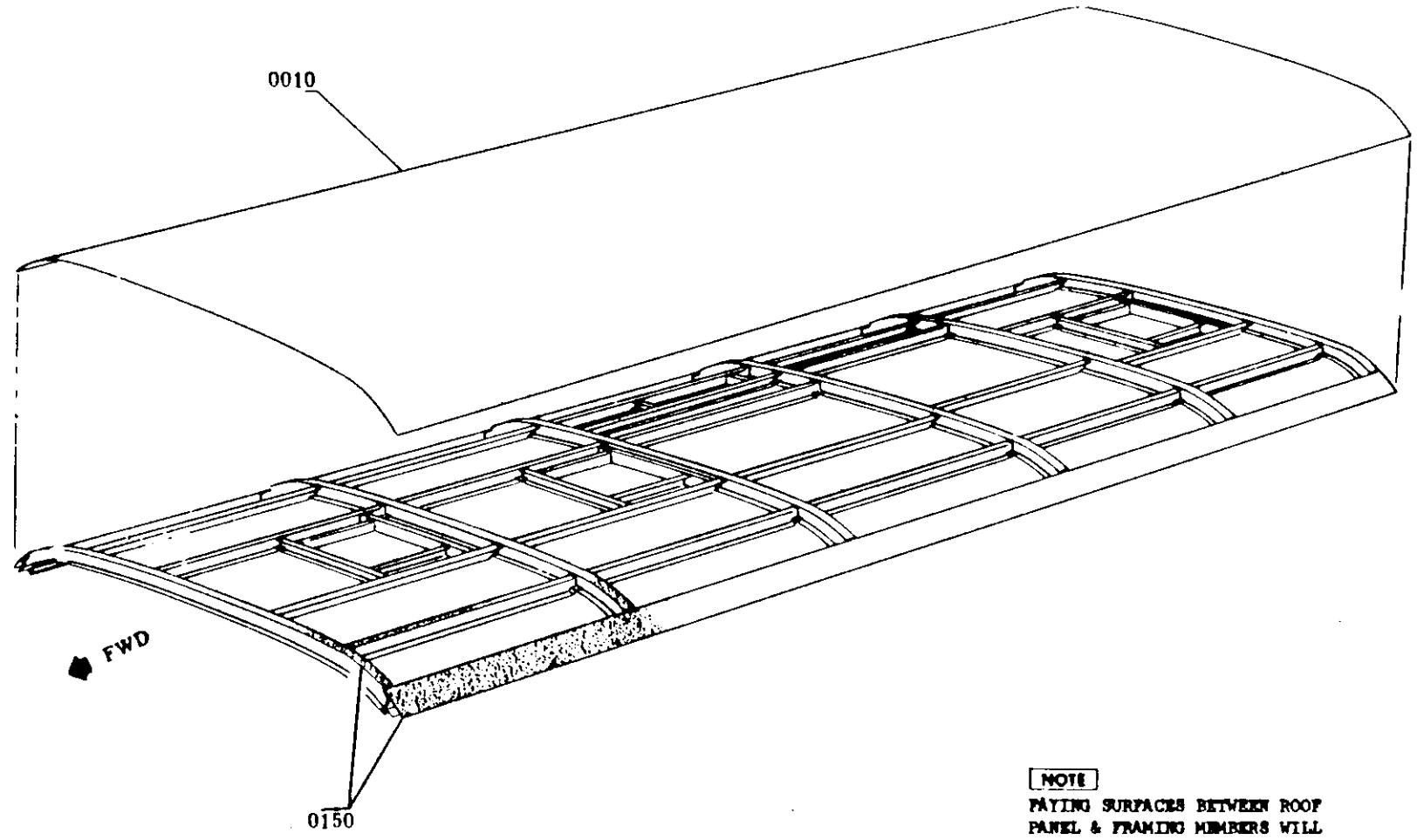
ITEM	REV	QTY	UNIT OR TOOL DESCRIPTION	ADD'L DATA	QTY	PART NUMBER	ENGINE CODES	SERIES	BODY	ITEM RESTRICTION	DEPARTMENTS		CHANGE		LOGIC CODE	FUNCTION CODE	ADDITIONAL CODES	FNA	LINE NOS
											#1	Z/STA	CD	AUTH					
101014			W/S GLASS			L2068					07P2	49							1.8
101014			GLASS W/S LH		1	601607					07P2	49		0000	4900	30			1.18
102014			GLASS W/S RH		1	591608					07P2	49		0000	4900	35			1.21
103014			W/S TOP ASM		1	701894					07P2	49		0000	4900	40			1.23
104014			FILLER		1	37944					07P2	49							1.25

7-018X00

MODEL APPLICATION
WINDSHYIELD SECTION
UPC DESCRIPTION

MODEL YEAR IS 77
ORIGIN DATE 770714
LAST CHG. DATE
LAST CHG. CODE 70 1C20 A 1
BK. U. P. C. ORP PAGE

GMT 922 1-73



NOTE
 PAYING SURFACES BETWEEN ROOF
 PANEL & FRAMING MEMBERS WILL
 BE BONDED WITH ADHESIVE, SUFFICIENT
 ADHESIVE TO BE USED IN EACH JOINT
 TO FORM A WITNESS BEAD.

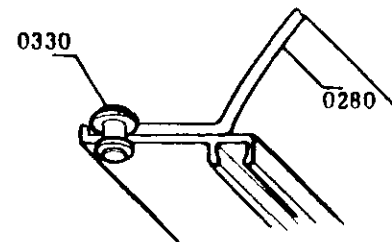
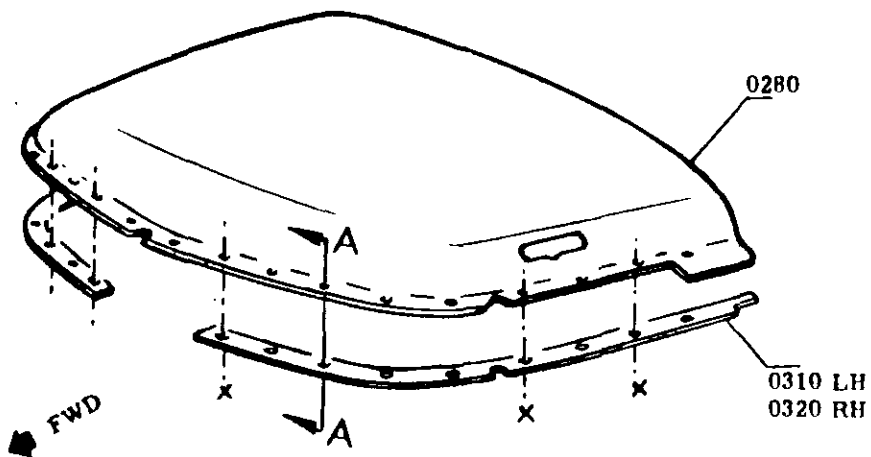
DYNAMIC (Inspection) - LBS	HAND (Inspection) - LBS	DATE	SYM	REVISION	AMT	DR	CK	DEPARTMENTS	78 TRUCK	BOOK 70
		4/28/11		ORIGINAL DESIGN	47000	SP	11		TITLE	
									PANEL TO FRAME ASM.	
									26"	
									NAME	
									ROOF	
									NUMBER	
									1C3	
									SHEET	
									5	





□ ITEM REFERENCE ◇ PROCESS MATERIAL △ TORQUE ▣ PART OF OR EXISTING

GMT 922 1-75

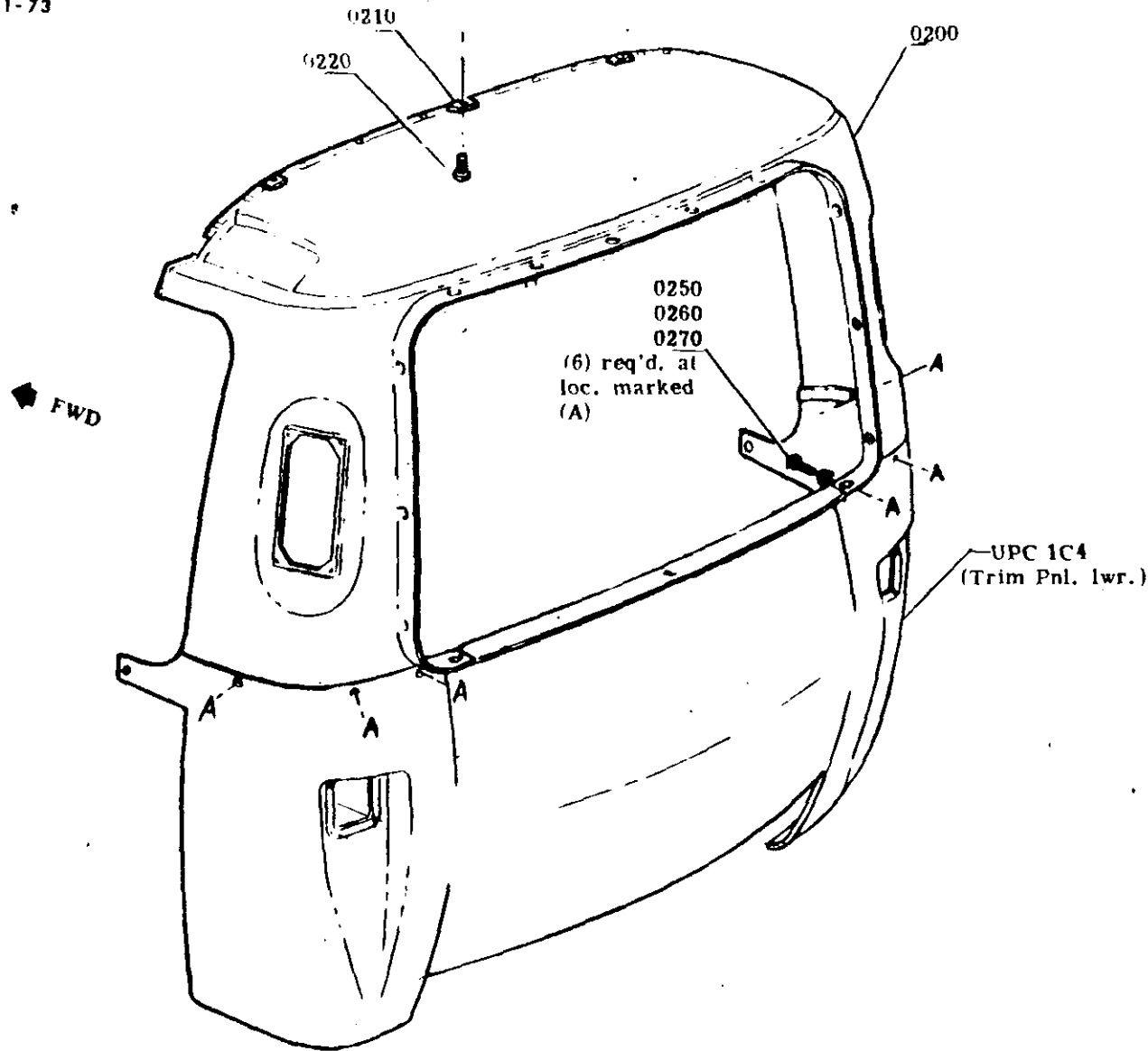


SECTION A-A
Install Rivets at locations
marked 'X' (4) holes per
side symm. RH LH

DYNAMIC (Installation) - LBS	HAND (Inspection) - LBS	DATE	SYM	REVISION	AUTH	DR	CR	DEPARTMENTS	78 TRUCK	BOOK 70
				ORIGINAL RELEASE	47000	STP			TITLE	
									WINDSHIELD DRAPE TRACK TO	
									ROOF PANEL	
									NAME	DIVISION/UPC
									ROOF	1C3
										SHEET
										8



GMT 922 1-73



DYNAMIC (Installation) - LBS	HAND (Inspection) - LBS	DATE	SYM	REVISION	AUTH	DR	CR	DEPARTMENTS
▲		2 17		ORIGINAL RELEASE	47000	ST		
▲								
▲								
▲								
▲								

'78 TRUCK **BOOK 70**

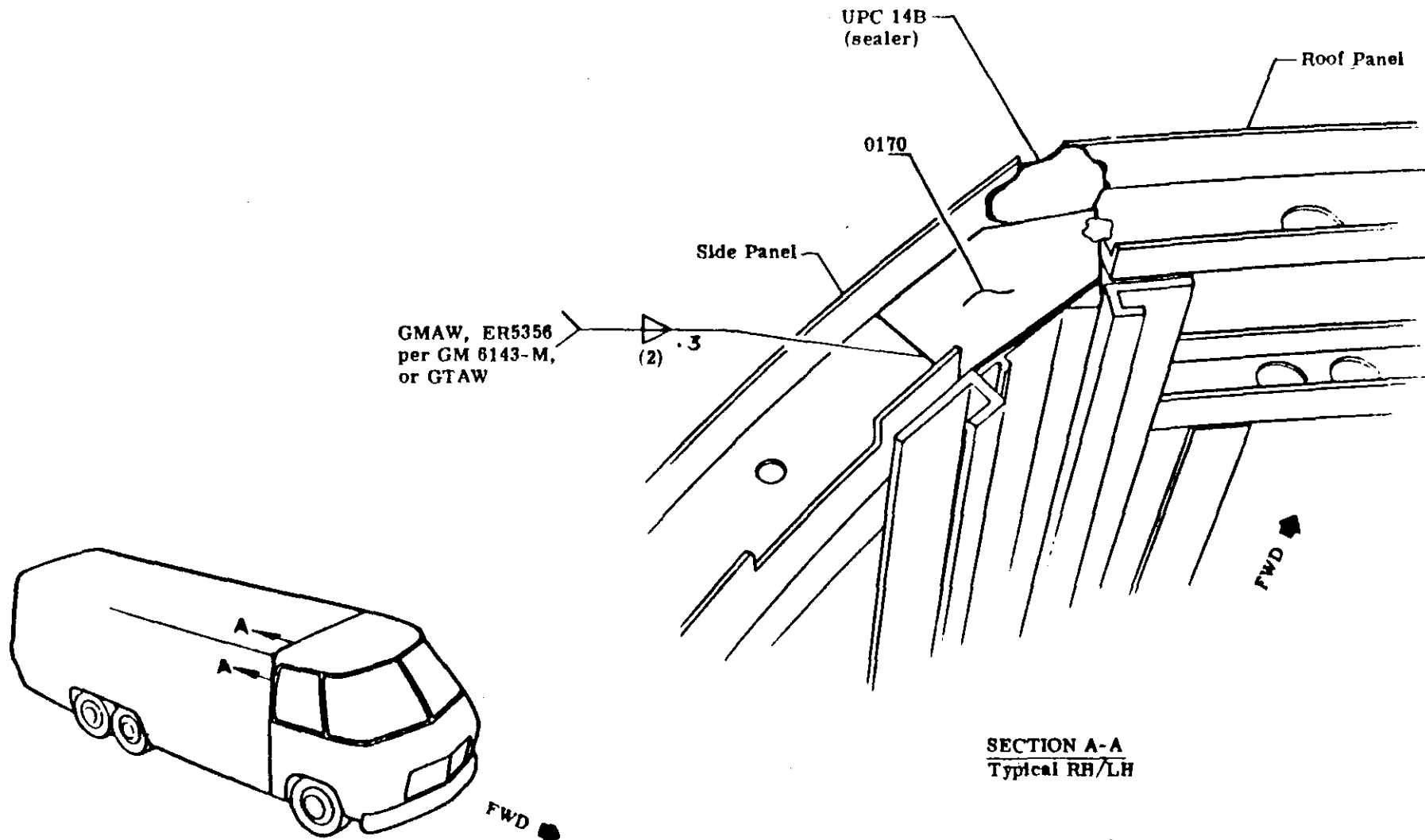
TITLE
REAR END INTERIOR TRIM

NAME ROOF	DIVISION 1C3	SHEET 10
---------------------	------------------------	--------------------



□ ITEM REFERENCE ◇ PROCESS MATERIAL △ TORQUE ▣ PART OF OR EXISTING

GMT 922B 1/75



SECTION A-A
Typical RH/LH

DYNAMIC (Installation) - LBS	HAZ (Inspection) - LBS	DATE	SYM	REVISION	AUTH	DR	CK	DEPARTMENTS	78 TRUCK	BOOK 70
▲		6-24-75		ORIGINAL RELEASE	47100	517			TITLE	
▲									COVER - EXTRUSION FRONT	
▲									NAME	DIVISION / UPC
▲									ROOF	1C3
▲										SHEET
▲										11

PRODUCT DESCRIPTION MANUAL

ASSEMBLY INFORMATION

GMT 1001 REV. 6/78

GMC TRUCK & COACH

ITEM	S E Q	P V	PART OR TOOL DESCRIPTION	ADD'L DATA	Q T Y	PART NUMBER	ENGINE CODES	SERIES	REV	DYN	ITEM RESTRICTION	DEPARTMENTS		CHANGE		LOGIC CODE	FUNCTION CODE	ADDITIONAL CODES	FNA	LINE NOS
												#1	2/STA	CD	AUTH					
A01014			RR SPR INSTL		*	L4253						0702								1.8
A02014			SI TO PNL INSTL		*	L2988						0702								1.10
A03014			FRONT OF CAP INR		*	L2997						0702								1.14
A03014			PANEL									0702								1.14
A04014			RR SURFACE F		*	L3863						0702								1.15
A04014			STRUCTURE MESH									0702								1.16
A05014			W/S SHAPE FOR C		*	M011078						0702								1.18
A05014			DRILL INSTL									0702								1.18
A06014			RR END INTL TO		*	L5204						0702								1.21
A07014			RR END INSTL		*	L2954					STD7BPP7HR57CNV7UNR	0702								1.23
A08014			RR END PANEL F FR		*	M012785						0702								1.25
A08014			RR END DRILL									0702								1.25
A08014			CEILING VENTS									0702								1.25
A09014			RR END SEAL		*	L8700						0702								1.28
A10014			INTL TO RR END OF		*	M012908						0702								1.31
A10014			RR END DRILL INSTL									0702								1.32
A11014			FRONT OF CAP INR		*	L2987						0704								1.34
A11014			PANEL									0704								1.35
A12014			W/S SHAPE FOR T		*	M011071						0782								1.37
A12014			DRILL INSTL									0782								1.37
001017			PANEL ROWE		I	88888		85				0702	3			0000030005				1.40
001017			PANEL ROWE		I	891605		80				0702	3			0000030005				1.41
002017			ROW ROWE		4	88888		85				0702	3			0000030010				1.43
002017			ROW ROWE		4	88888		80				0702	3			0000030010				1.44
003017			ROW ROWE FOR		I	715690						0702	3			0000030015				1.46
004017			ROW ROWE RR		I	715420						0702	3			0000030020				1.48
005017			SPACE OF CAP		*	715690						0704	0			0000090005				1.50
006017			SPACE OF CAP		*	715690						0704	0			0000090100				1.52

Z005000

MODEL YEAR 1978
 ORIGIN DATE 770714
 LAST CHG DATE
 LAST CHG CODE
 70 103 A 1

MODEL APPLICATION
 NAME

UPC DESCRIPTION

BK U. P. C. ORP PAGE

PRODUCT DESCRIPTION MANUAL

ASSEMBLY INFORMATION

GMT 1061 REV. 8/75

GM TRUCK & COACH

ITEM	PART OR TOOL DESCRIPTION	ADD'L DATA	QTY	PART NUMBER	ENGINE CODES	SERIES	BODY BRN	ITEM RESTRICTION	DEPARTMENTS		CHANGE		LOGIC CODE	FUNCTION CODE	ADDITIONAL CODES	FNA	LINE NOS
									#1	2 STA	CD	AUTH					
0070AA	BEAM COR LNGTDNL		1	688803		65			0702	0			0000993005		M04800	1.54	
0070AB	BEAM COR LNGTDNL		1	691603		60			0702	0			0000993005		M04800	1.55	
0080AA	BEAM COR LNGTDNL		1	715343		65			0702	0			0000993010		M04800	1.57	
0080AB	BEAM COR LNGTDNL		1	715344		60			0702	0			0000993010		M04800	1.58	
0090AA	REINF RF LNGTDNL		8	2016389					0702	0			0000993015		M04900	2.1	
0100AA	REINF RF LNGTDNL		4	698139					0702	0			0000993020		M04900	2.3	
0110AA	REINF RF LNGTDNL		4	698138					0702	0			0000993025		M04900	2.5	
0120AA	REINF RF LNGTDNL		4	691604		65			0702	0			0000993030		M04900	2.7	
0130AA	REINF HATCH UPG		2	688807				-CNV/UNR	0702	0			3660993035		M05000	2.9	
0130AB	REINF HATCH UPG		4	688807				CNV/UNR	0702	0			3608993035	M	05000	2.10	
0140AA	REINF A7C RF UPG		2	688804				-CNV/UNR	0702	0			3607993040		M05100	2.11	
0140AB	REINF A7C RF UPG		4	688804				CNV/UNR	0702	0			3608993040	M	05100	2.13	
0150AA	ADHESIVE RF PNL		4	8860768					0702	4					05300	2.15	
0160AA	RIVET PNL/BEAM		38	708648		65			0702	5					05400	2.17	
0160AB	RIVET PNL/BEAM		30	708648		60			0702	5					05400	2.18	
0170AA	COVER FRT SEAL		2	2005435					0702	5			0000050150		M05425	2.20	
0180AA	COVER RR SEAL		2	2005436					0702	5			0000050155		M05450	2.22	
0190AA	BRKT AIR BOX MTG		5	791003		65		-CNV	0702	0			3449993045		M05525	2.24	
0190AB	BRKT AIR BOX MTG		10	791003				CNV	0702	0			3444993045	M	05525	2.25	
0200AA	PANEL RR RF ENR		1	2007909					0784	61			0000615010		M05600	2.27	
0210AA	CLIP CARLINE		3	9420137					0784	61			0000615015		M05610	2.29	
0220AA	SCREW CLIP		3	9414733					0784	61					05620	2.31	
0230AA	SCREW TR PNL		12	9431915					0784	61					05630	2.33	
0240AA	SCREW		4	9423437					0784	61					05630	2.35	

1 2 3 4 5		ZE05000	MODEL YEAR 1978 ORIGIN DATE 770714 LAST CHG DATE 770929
		MODEL APPLICATION ROOF	LAST CHG CODE 70 1C3 A 2
F.M.V.S.	REFERENCE	UPC DESCRIPTION	BK U. F. C. GRP PAGE



PRODUCT DESCRIPTION MANUAL

ASSEMBLY INFORMATION

GMT 1061 REV. 5/75

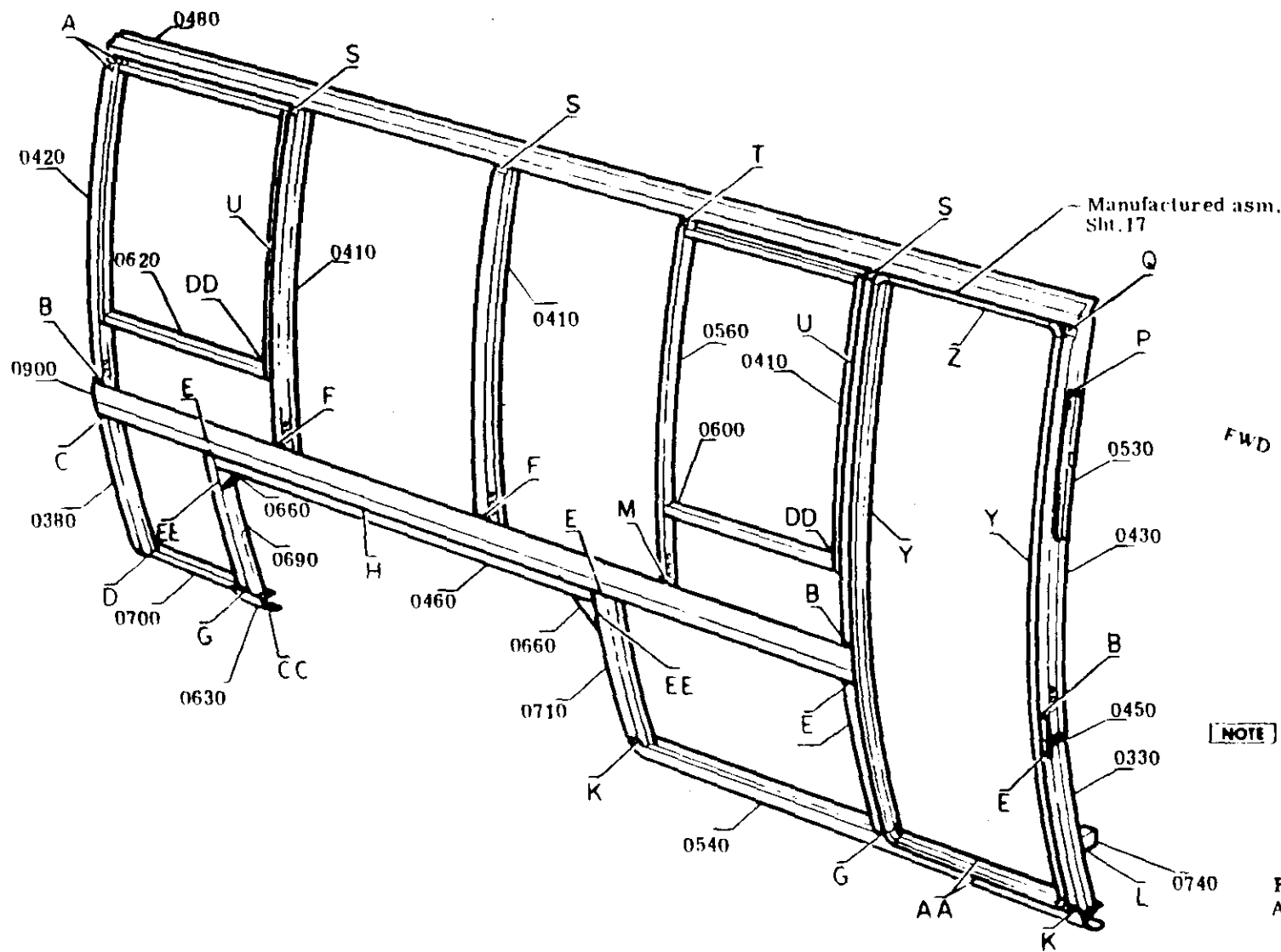
GM TRUCK & COACH

ITEM NO.	QTY	PART OR TOOL DESCRIPTION	ADD'L DATA	QTY	PART NUMBER	ENGINE CODES	SERIES	BODY BRN	ITEM RESTRICTION	DEPARTMENTS		CHANGE		LOGIC CODE	FUNCTION CODE	ADDITIONAL CODES	FNA	LINE NOS.
										RT	Z/STA	CD	AUTH					
0250AA	6	CLIP PNL/PNL		6	9431530					0784	61			0000	615000		M05640	2.3
0260AA	6	SCREW CLIP		6	9416160					0784	61						05650	2.39
0270AA	6	WASHER SCREW		6	140270					0784	61						05660	2.4
0280AA	1	PANEL RF FRY TR		1	696154					0782	43			0000	430005		M05700	2.43
0290AA	10	SCREW TR PNL		10	156798					0782	43						05800	2.45
0300AA	10	WASHER		10	140270					0782	43						05900	2.47
0310AA	1	TRACK DRAPE LH		1	707984					0782	43			0000	430010		M06000	2.49
0320AA	1	TRACK DRAPE RH		1	707983					0782	43			0000	430015		M06100	2.51
0330AA	8	RIVET TRACK		8	700368					0782	43						06200	2.53
0340AA	2	SCREW TRACK		2	716852					0782	43						06300	2.55

1 2 3 4 5	2E05000										MODEL YEAR IS 78																
											ORIGIN DATE 770714																
											LAST CHG. DATE 770929																
											LAST CHG. CODE 70 1C3 A 3																
REFERENCE										MODEL APPLICATION ROOF										BR U. P. C. GRP PAGE							
F.M.V.S.S.										VPS DESCRIPTION																	



GMT 922 1-73



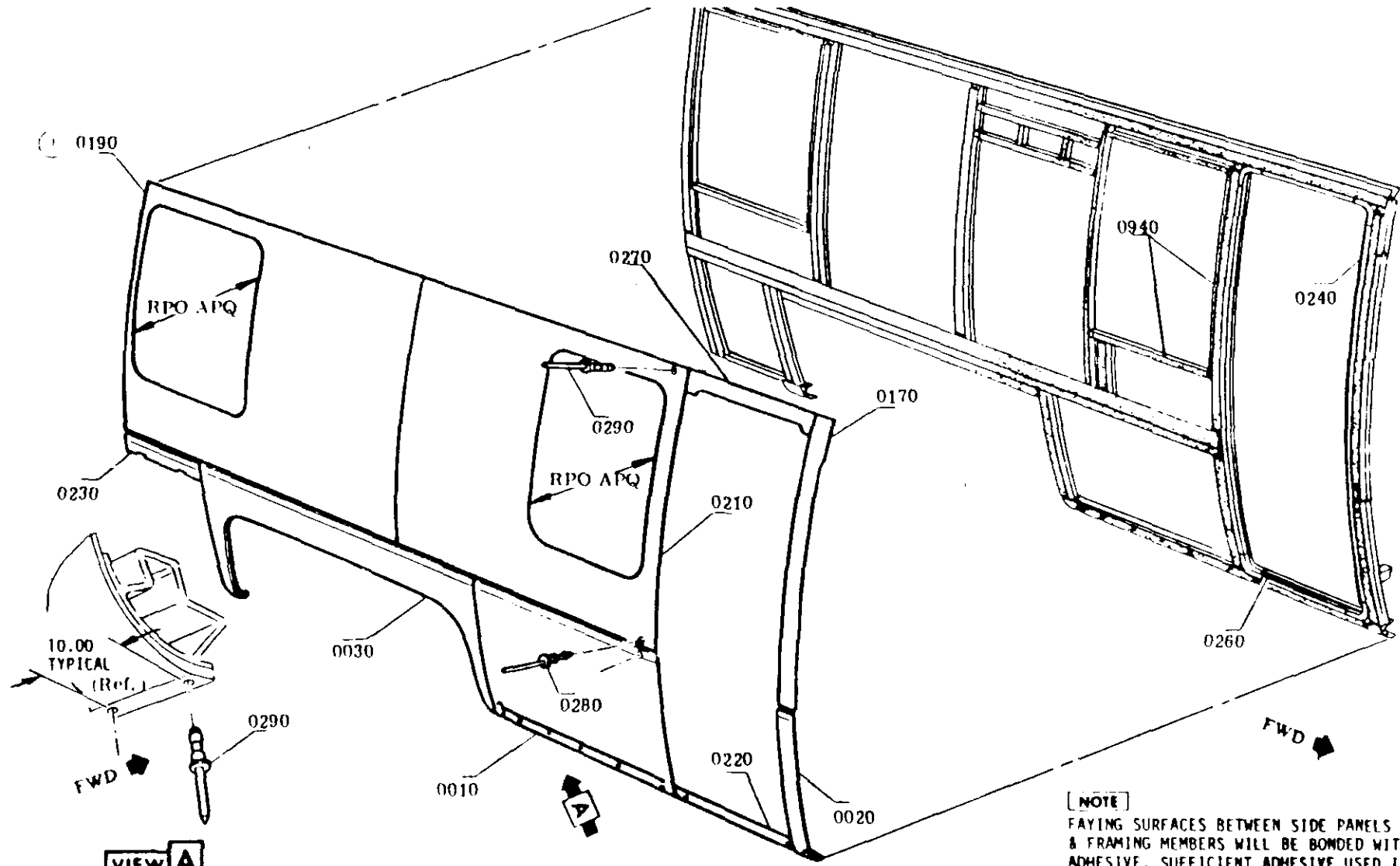
[NOTE] For Welding Sections
see the following:

- A thru F Graphic sheet # 9
- C thru L Graphic sheet # 10
- M thru R Graphic sheet # 11
- S thru W Graphic sheet # 12
- FF thru Z Graphic sheet # 13
- AA thru EE Graphic sheet # 14

DYNAMIC (Installation) - LBS		NOM (Inspection) - LBS		DATE	SYB	REVISION	AUTH	OR	CR	DEPARTMENTS
▲						ORIGINAL RELEASE				
▲										
▲										
▲										
▲										
'78 TRUCK BOOK 70										
TITLE FRAMING & WELDING RH Z.E06083										
BODY SIDE. REAR END. STR & DECK				DIVISION 1C4			SHEET 1			



GMT 922 1-73



[NOTE]
 FAYING SURFACES BETWEEN SIDE PANELS
 & FRAMING MEMBERS WILL BE BONDED WITH
 ADHESIVE. SUFFICIENT ADHESIVE USED IN
 EACH JOINT TO FORM A WITNESS BEAD.

BY/CHK	DATE	SYM	REVISION	AMT	DR	CR	DEPARTMENTS	TITLE	BOOK
			ORIGINAL RELEASE	47000				'78 TRUCK	BOOK 70
								PANELS TO FRAME ASM. RH	
								ZEO6083	
								NAME	
								DRY/ISSUE	
								1C4	
								SHEET	
								2	

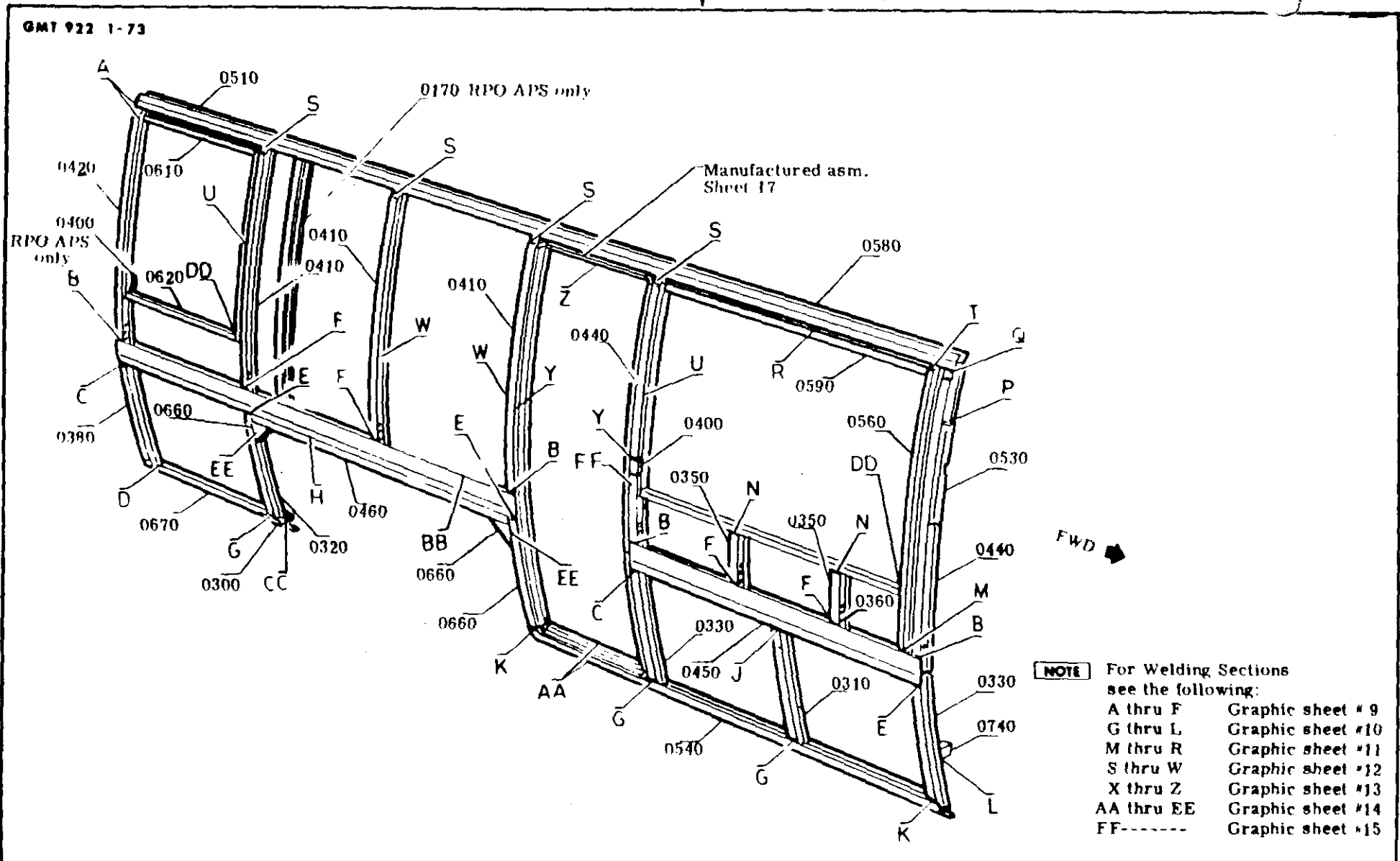
VIEW A

FWD

A-A



□ ITEM REFERENCE ◇ PROCESS MATERIAL ▲ TORQUE ▣ PART OF OR EXISTING

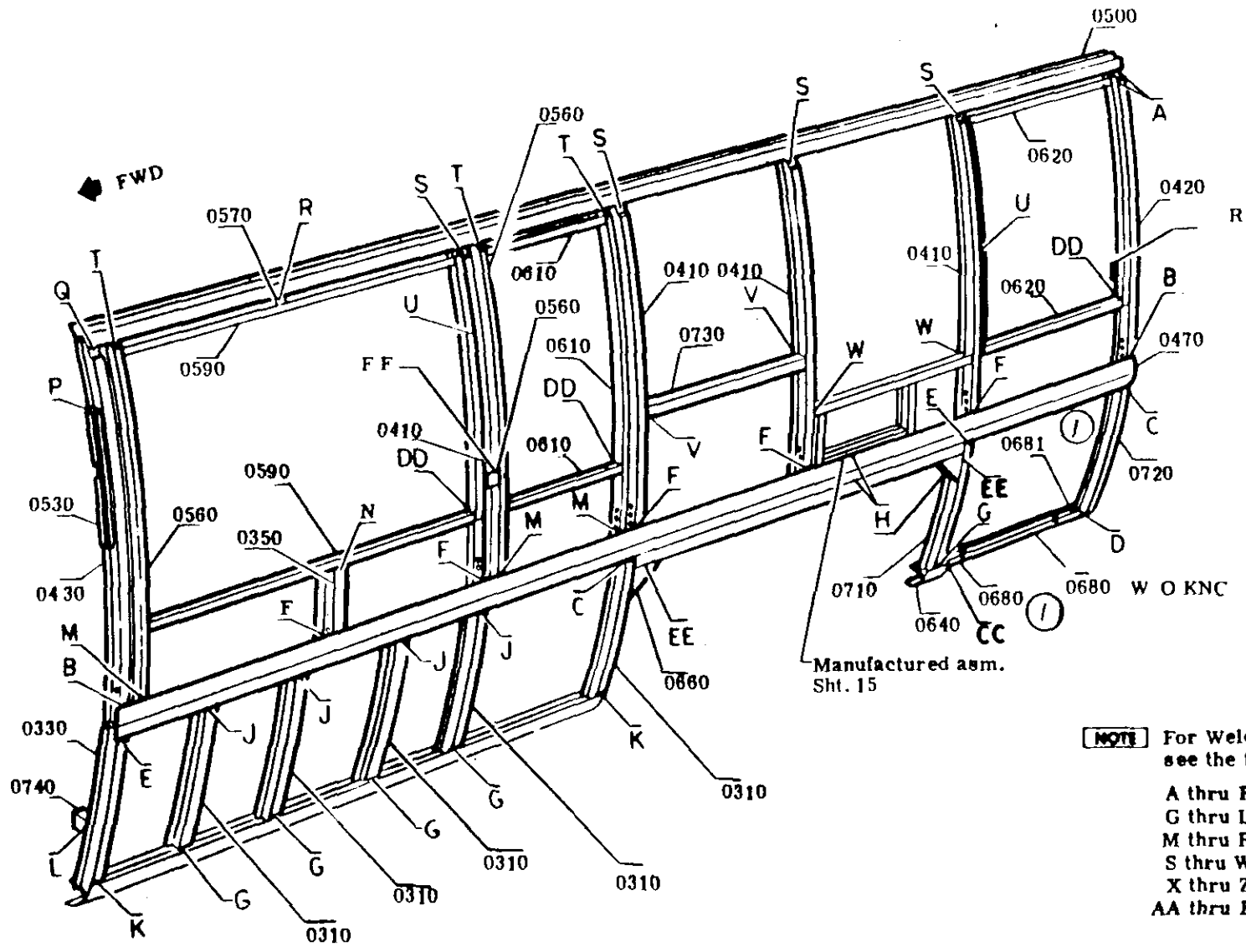


NOTE For Welding Sections see the following:
 A thru F Graphic sheet # 9
 G thru L Graphic sheet #10
 M thru R Graphic sheet #11
 S thru W Graphic sheet #12
 X thru Z Graphic sheet #13
 AA thru EE Graphic sheet #14
 FF----- Graphic sheet #15

SYMBOL	DESCRIPTION	DATE	SYN	REVISION	AUTH	DR	CR	DEPARTMENT	TITLE	DIVISION	SHEET
▲				ORIGINAL RELEASE					78 TRUCK		BOOK 70
▲									FRAMING & WELDING R.H.		
▲									ZE06581, 83		
▲									BODY SIDE, REAR END, QTR. & DECK	1C4	5



OMT 922 1-73



- NOTE** For Welding Sections see the following:
- A thru F UPC 1C4 sht. #9
 - G thru L UPC 1C4 sht. #10
 - M thru R UPC 1C4 sht. #11
 - S thru W UPC 1C4 sht. #12
 - X thru Z UPC 1C4 sht. #13
 - AA thru EE UPC 1C4 sht. #14

DATE	BY	REVISION	AMT	DR	CE	DEPARTMENT
7-2-77		ORIGINAL RELEASE	41000	S		STAFF
8-13-77		ITEM CANCELLED W/ LNC RDRD				6288

78 TRUCK BOOK 70

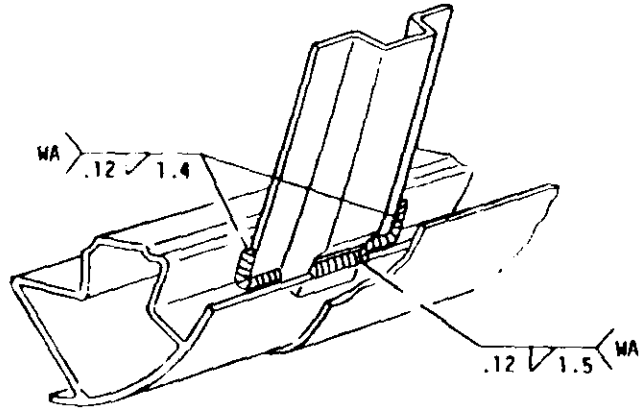
TITLE
FRAMING & WELDING L.H. REAR END.
ZE06581.

DATE
BODY SIDE, REAR END, QTL & DECN

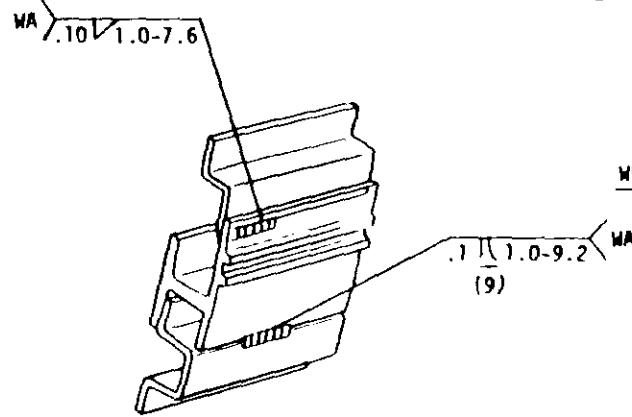
REVISED
1C4

SHEET
7

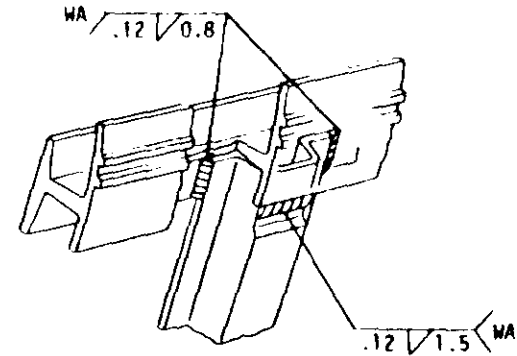
GMT 922 1-73



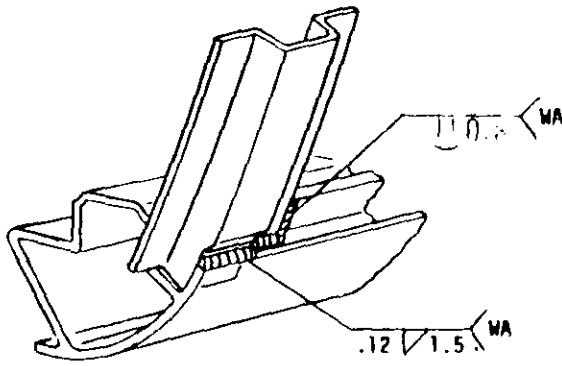
WELDING SECTION G



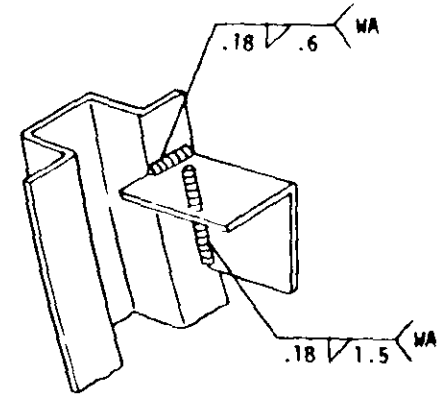
WELDING SECTION H



WELDING SECTION J



WELDING SECTION K



WELDING SECTION L

FORMER (Production) - LBS	HAND (Inspection) - LBS	DATE	SYM	REVISION	AUTH	DE	CK	DEPARTMENTS
△				ORIGINAL RELEASE	4/28/66			
△								
△								
△								
△								

78 TRUCK

TITLE: **WELDING SECTIONS**

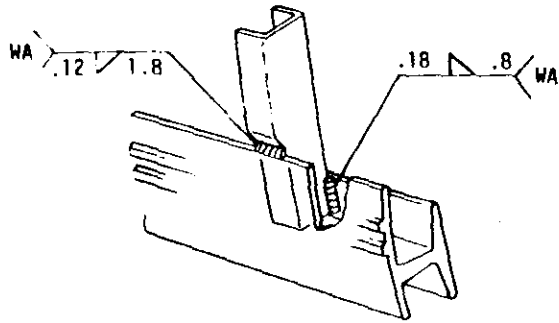
NAME: **BODY SIDE, REAR END, STR. & DECK**

BOOK **70**

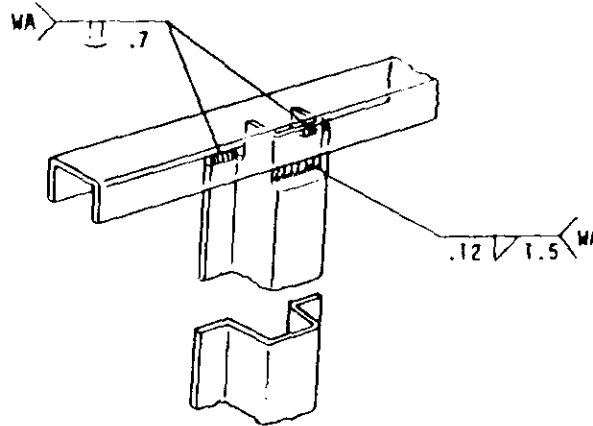
DIVISION: **1C4**

SHEET: **10**

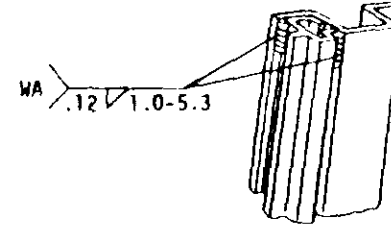
GMT 922 1-73



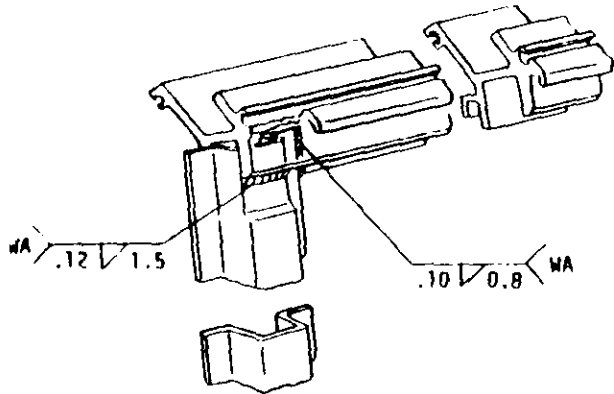
WELDING SECTION V



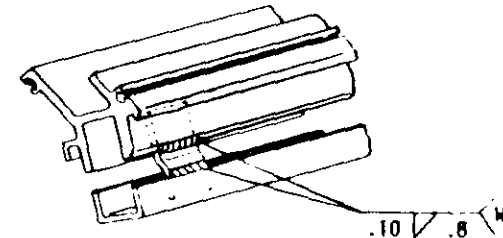
WELDING SECTION N



WELDING SECTION P



WELDING SECTION Q

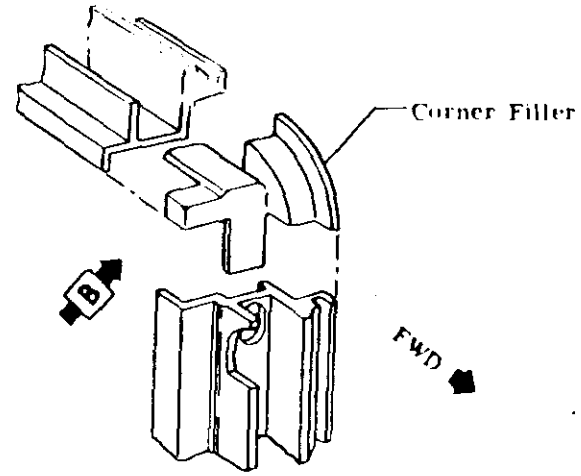
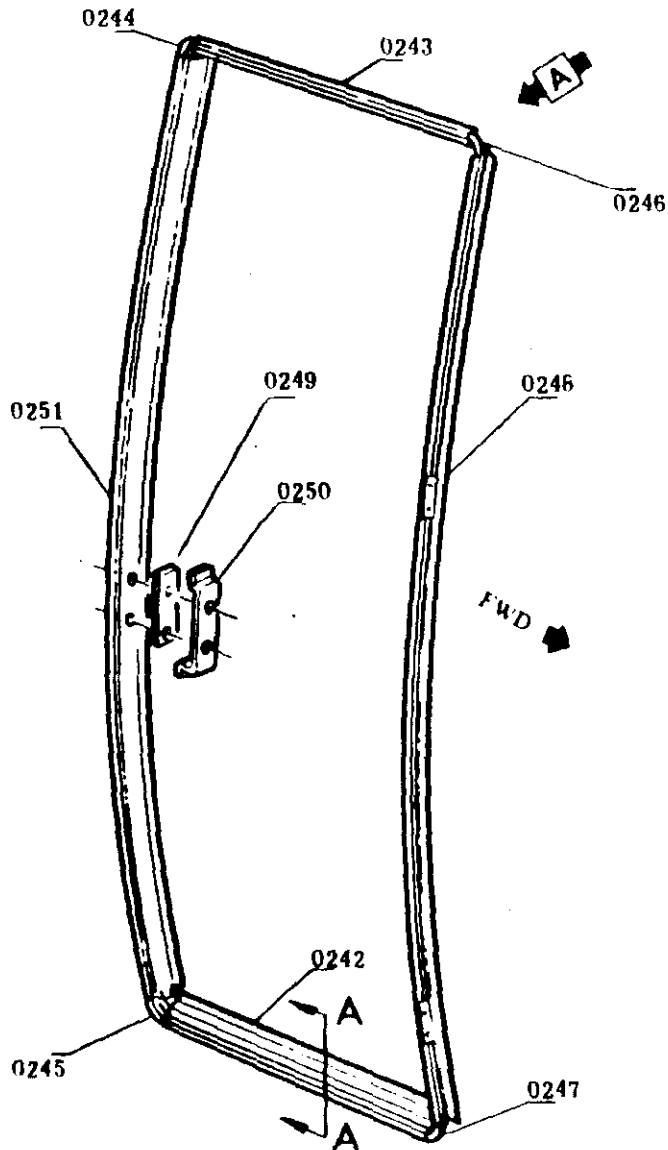


WELDING SECTION R

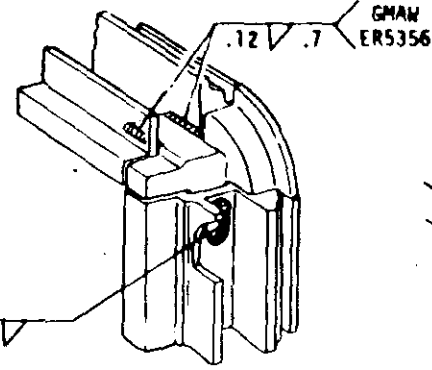
DYKARC (Inspection) - LPS	HAIRD (Inspection) - LPS	DATE	SYM	REVISION	AUTH	DR	CK	DEPARTMENTS	'78 TRUCK	BOOK 70
△				ORIGINAL RELEASE					TITLE	
△									WELDING SECTIONS	
△									NAME	
△									BODY SIDE, REAR END, QTR. & DECK	
									DYKARC	1C4
									SHEET	11

□ ITEM REFERENCE ◇ PROCESS MATERIAL △ TOPPING ▣ PART OF OR EXISTING

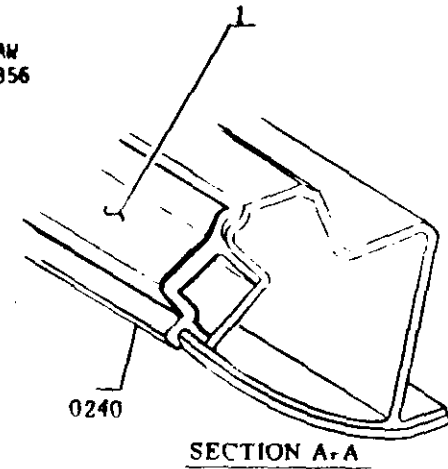
GMT 922 1-73



VIEW A
TYPICAL



VIEW B
TYPICAL 4 CORNERS



DATE	SYN	REVISION	AUTH	DR	CK	DEPARTMENTS
1-73		ORIGINAL RELEASE				

78 TRUCK **BOOK 70**

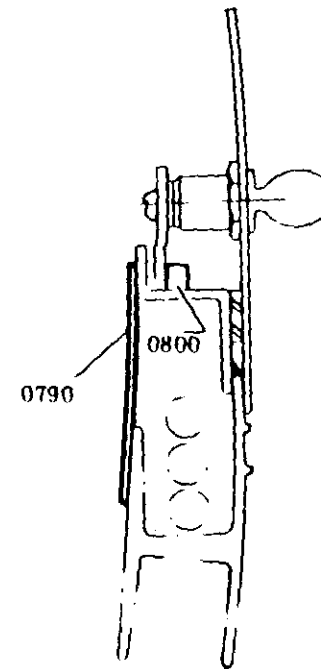
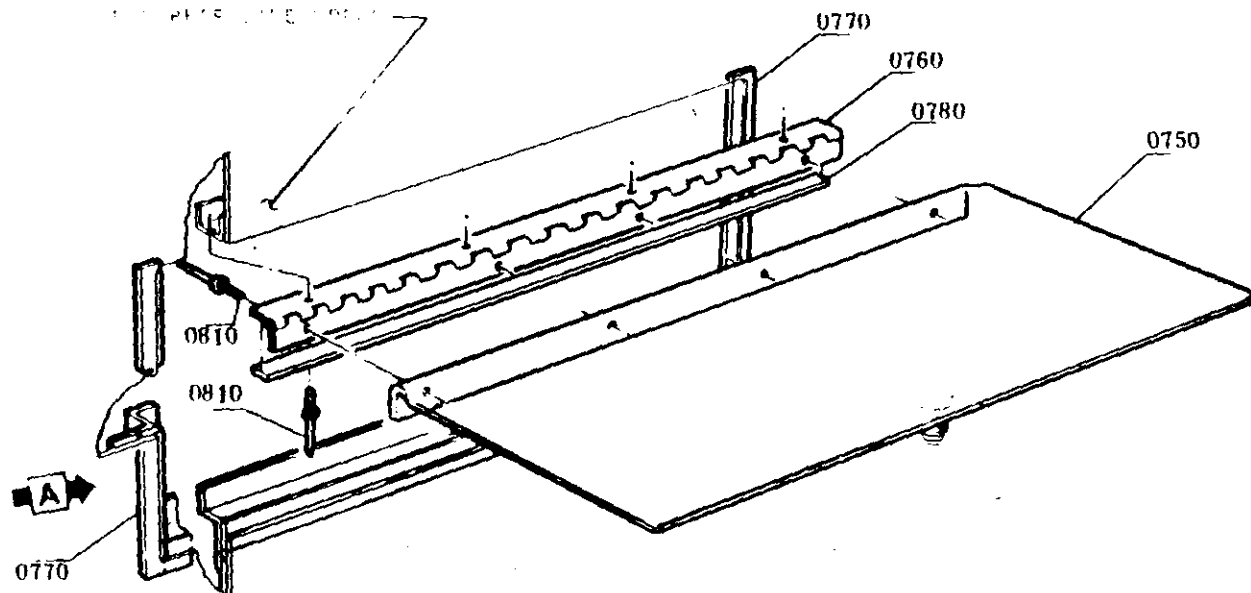
TYPE
DOOR JAM SUB-ASM.

BASE
BODY SIDE, REAR END, QTR. & DECK

NUMBER
1C4

PAGE
16

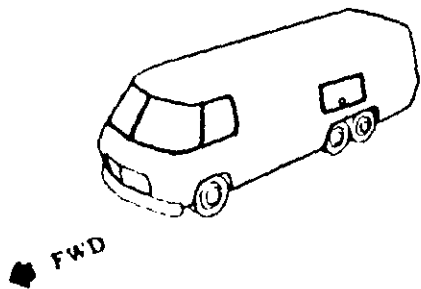
GMT 922 1-73



VIEW A

ACCESS OR IN LOCK POSITION

↙ FWD



DYNAMIC (Installation) - LPS	HAZARD (Inspection) - LPS	DATE	SYM	REVISION	AUTH	DR	CK	DEPARTMENTS
△				ORIGINAL RELEASE				
△								
△								
△								
△								

78 TRUCK **BOOK 70**

TITLE
WATER & ELECTRIC ACCESS DOOR
ZFO6581.83

BASE
BODY SIDE,
REAR END,
QTR. & DECK

DIVISION
1C4

SHEET
17

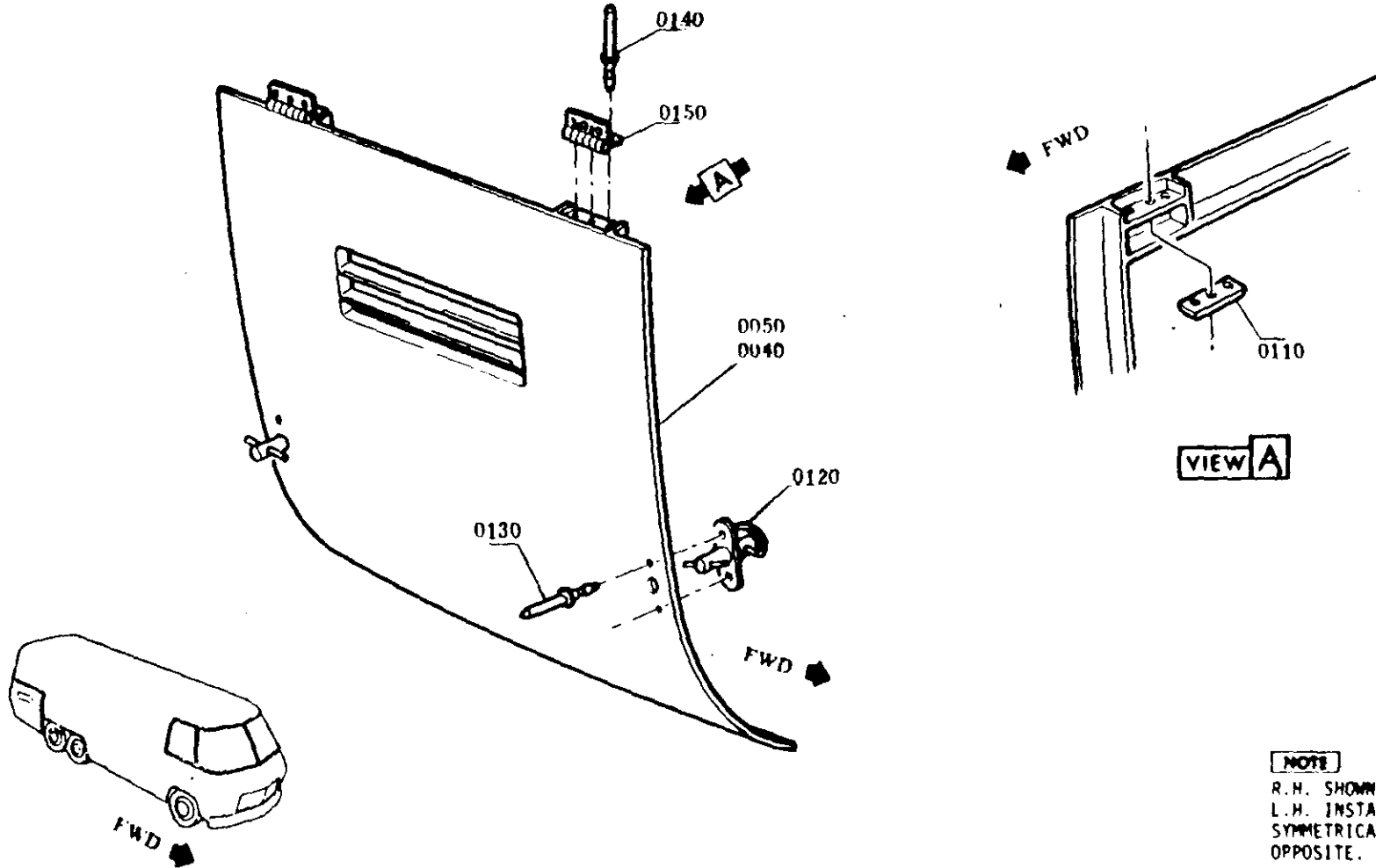


TRUCK & COACH DIVISION
GENERAL MOTORS CORPORATION

PRODUCT DESCRIPTION MANUAL

□ ITEM REFERENCE ◇ PROCESS MATERIAL △ TORQUE ▣ PART OF OR EXISTING

GMT 922 1-73



NOTE
R.H. SHOWN.
L.H. INSTALLATION
SYMMETRICALLY
OPPOSITE.

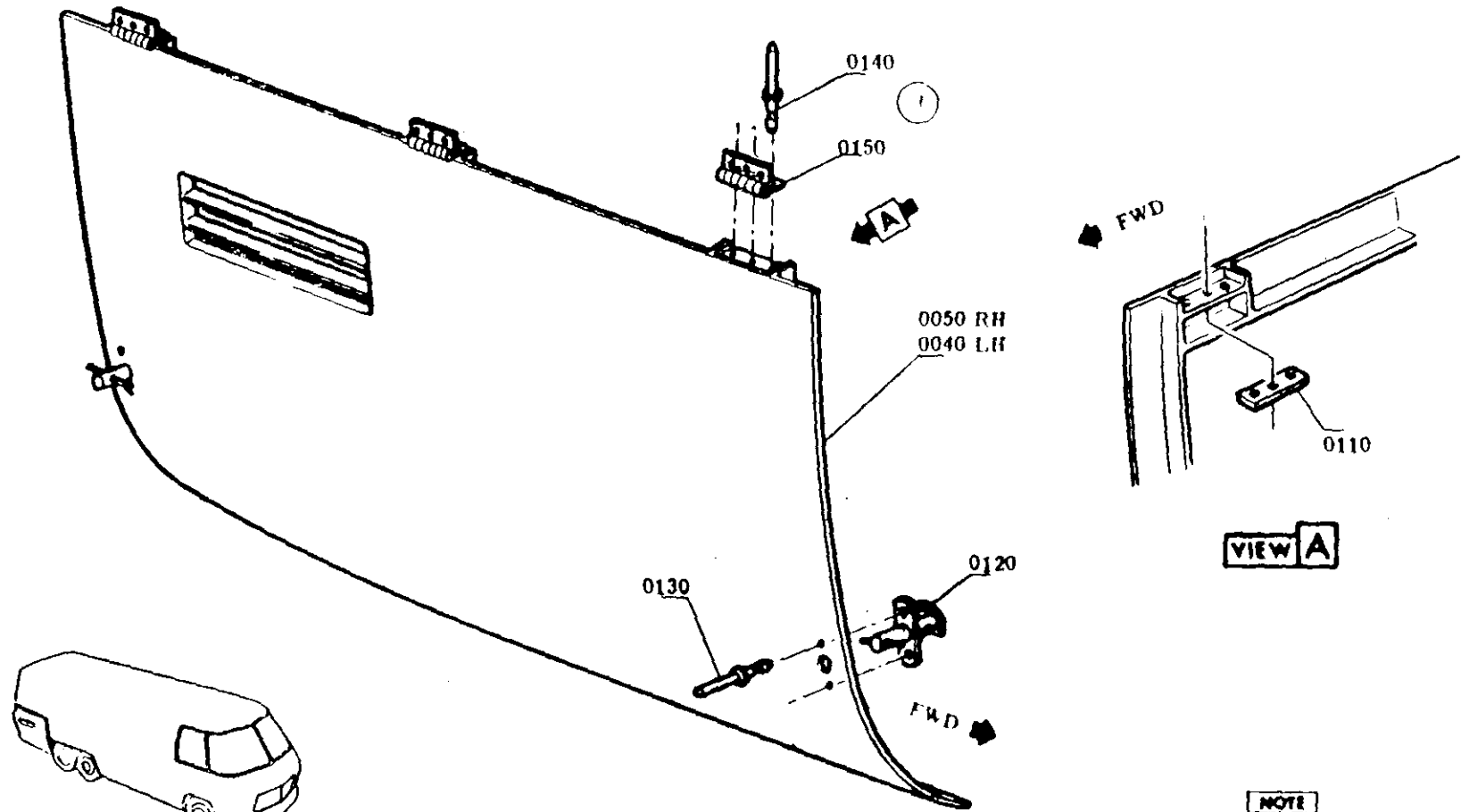
BY DATE (Inspection) - LBS	BY DATE (Inspection) - LBS	DATE	SYM	REVISION	APPRO	DO	CR	DEPARTMENT
△		1-73		ORIGINAL RELEASE	4-70116			VEHICLE
△								
△								
△								
△								
△								

'78 TRUCK **BOOK 70**

TYPE
SIDE ACCESS DOOR
ZE06083

QTR. & DECK **1C4** **18**

GMT 922 1-73



VIEW A

NOTE
R.H. SHOWN
L.H. INSTALLATION
SYMMETRICALLY
OPPOSITE.

BY (last name) - LBS	DATE	SPR	REVISION	AUTH	DR	CR	DEPARTMENTS
▲ ▲ ▲ ▲	1-4-77		ORIGINAL RELEASE	MTWOC	23	27	GREEN
	(1-8-77)	1	REVISION FOR 1-20-73 AND 1-25-73				

78 TRUCK **BOOK 70**

TITLE
SIDE ACCESS DOOR
ZE06581, 83

DATE
BODY SIDE,
REAR END,
PTR. & DECK

NUMBER
1C4

SHEET
19

□ ITEM REFERRED ◇ PROCESS MATERIAL △ TORQUE ▣ PART OF OR EXISTING

GMT 922 1-73

← FWD

← A

← FWD

0100

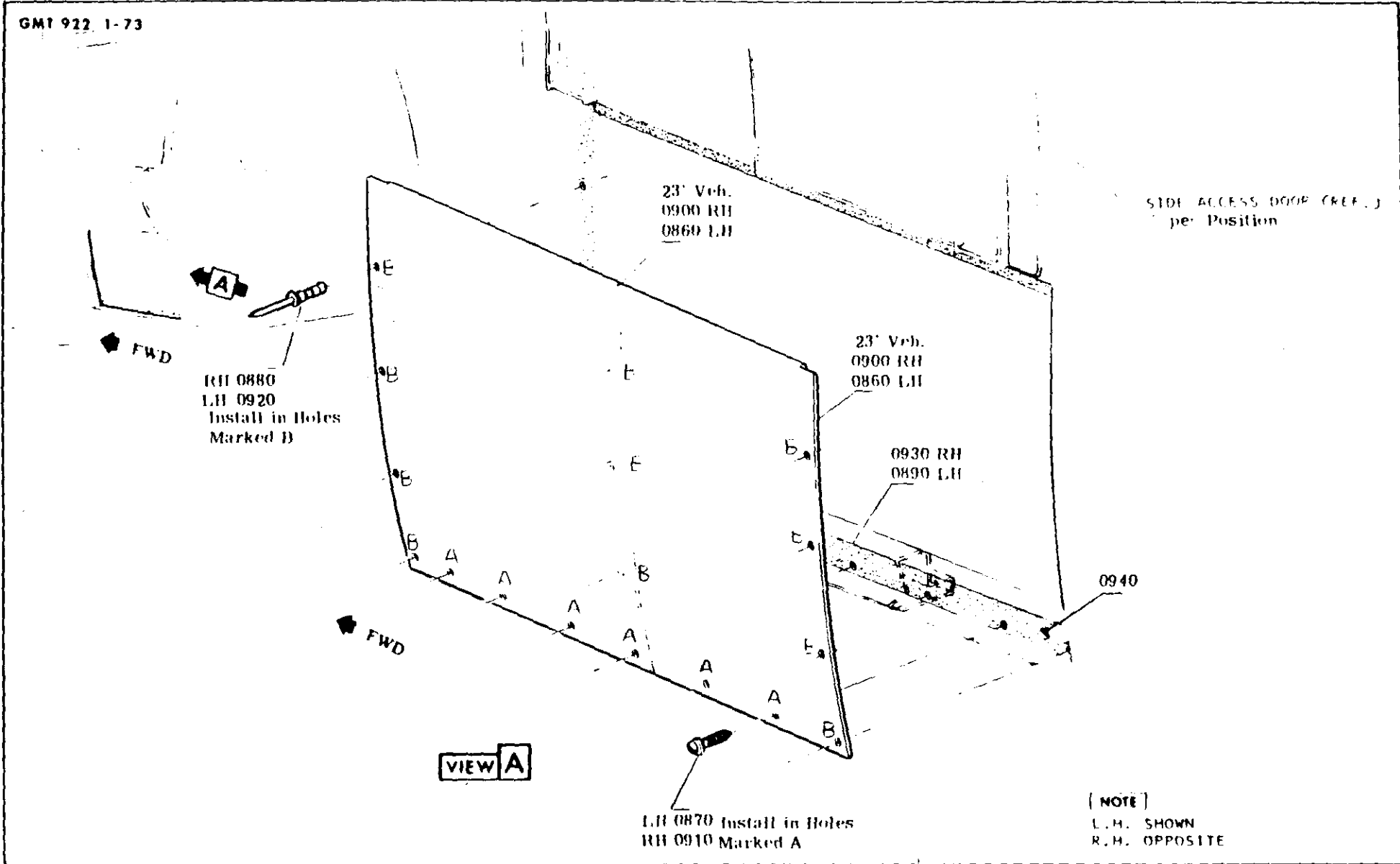
0060

STORAGE POSITION
CLIP ON LOUVER

VIEW A

GENERAL INFORMATION	REVISION	DATE	SYM	AUTH	DR	EN	DEPARTMENTS	TITLE	
EBS △ △ △ △ △	REVISION 1 2 3 4 5	DATE 1/73 2/73 3/73 4/73 5/73	SYM 1 2 3 4 5	AUTH 1 2 3 4 5	DR 1 2 3 4 5	EN 1 2 3 4 5	DEPARTMENTS 1 2 3 4 5	178 TRUCK BOOK 70 LH SIDE ACCESS DOOR HOLD OPEN STRAP	
							NAME BODY SIDE, REAR END, QTR. & DECK	DIVISION 1C4	SHEET 21

□ ITEM REFERENCE ◇ PROCESS MATERIAL △ TORQUE ▣ PART OF OR EXISTING

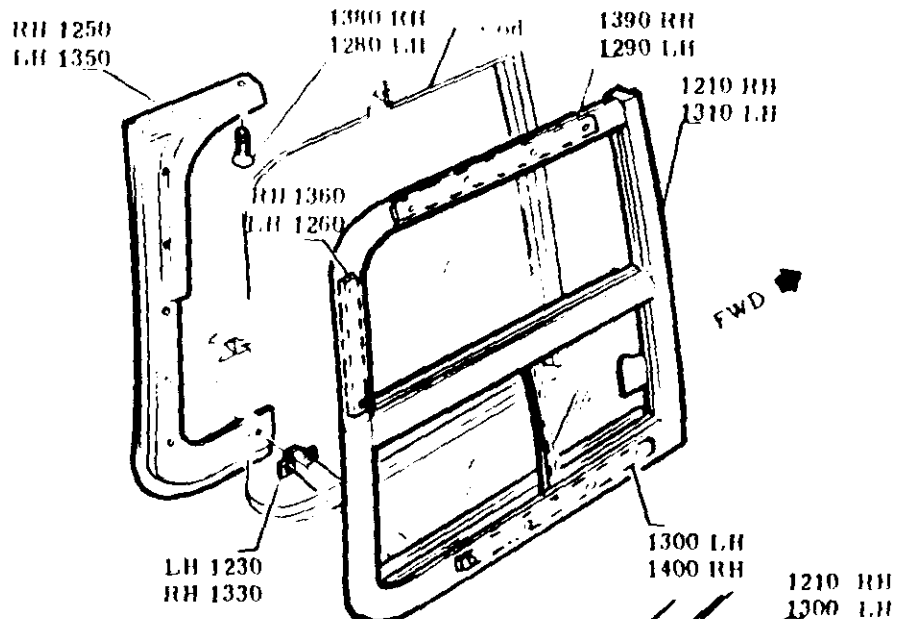
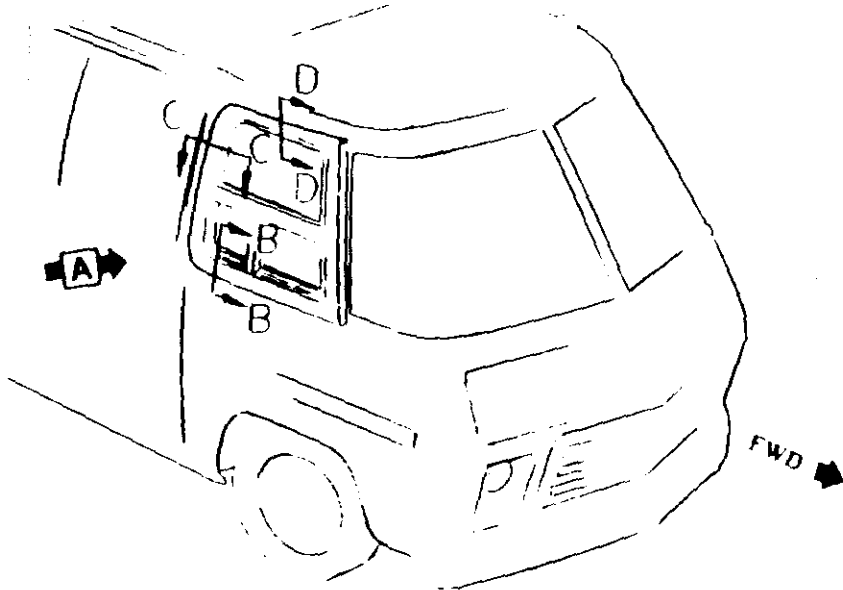


REV	DATE	SYM	REVISION	AUTH	DR	CR	DEPARTMENTS
	77		ORIGINAL RELEASE				

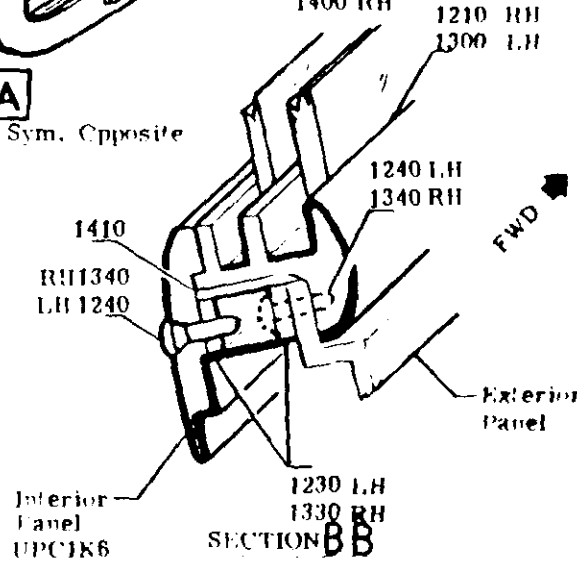
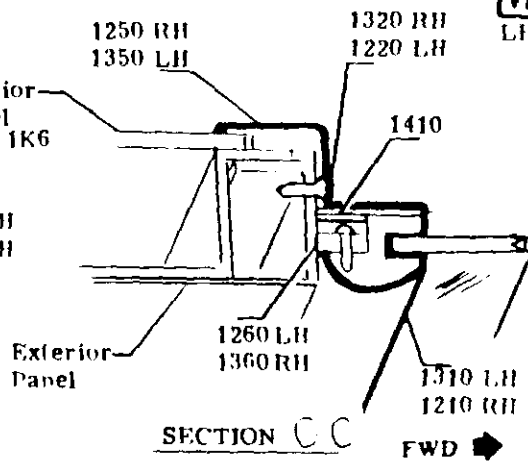
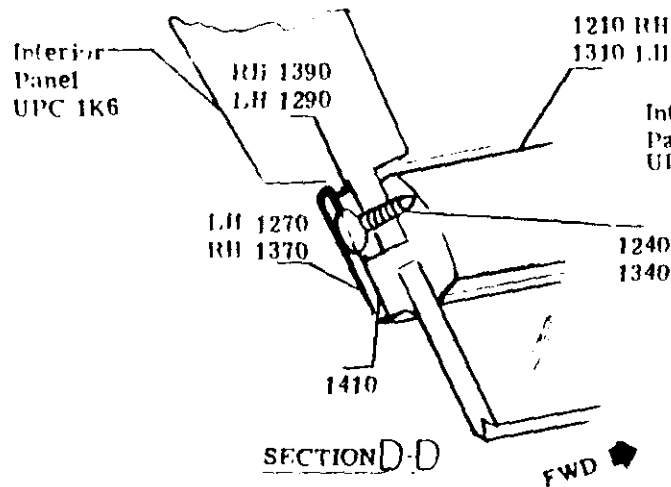
'78 TRUCK		BOOK 70
TITLE PANEL CLOSURE AT SIDE ACCESS DOOR ZE06083/ZE06583		
NAME BODY SIDE, REAR END, QTR. & DECK	DIVISION 1C4	SHEET 22

□ ITEM REFERENCE ◇ PROCESS MATERIAL △ TORQUE ▣ PART OF OR EXISTING

GMT 922 B 74



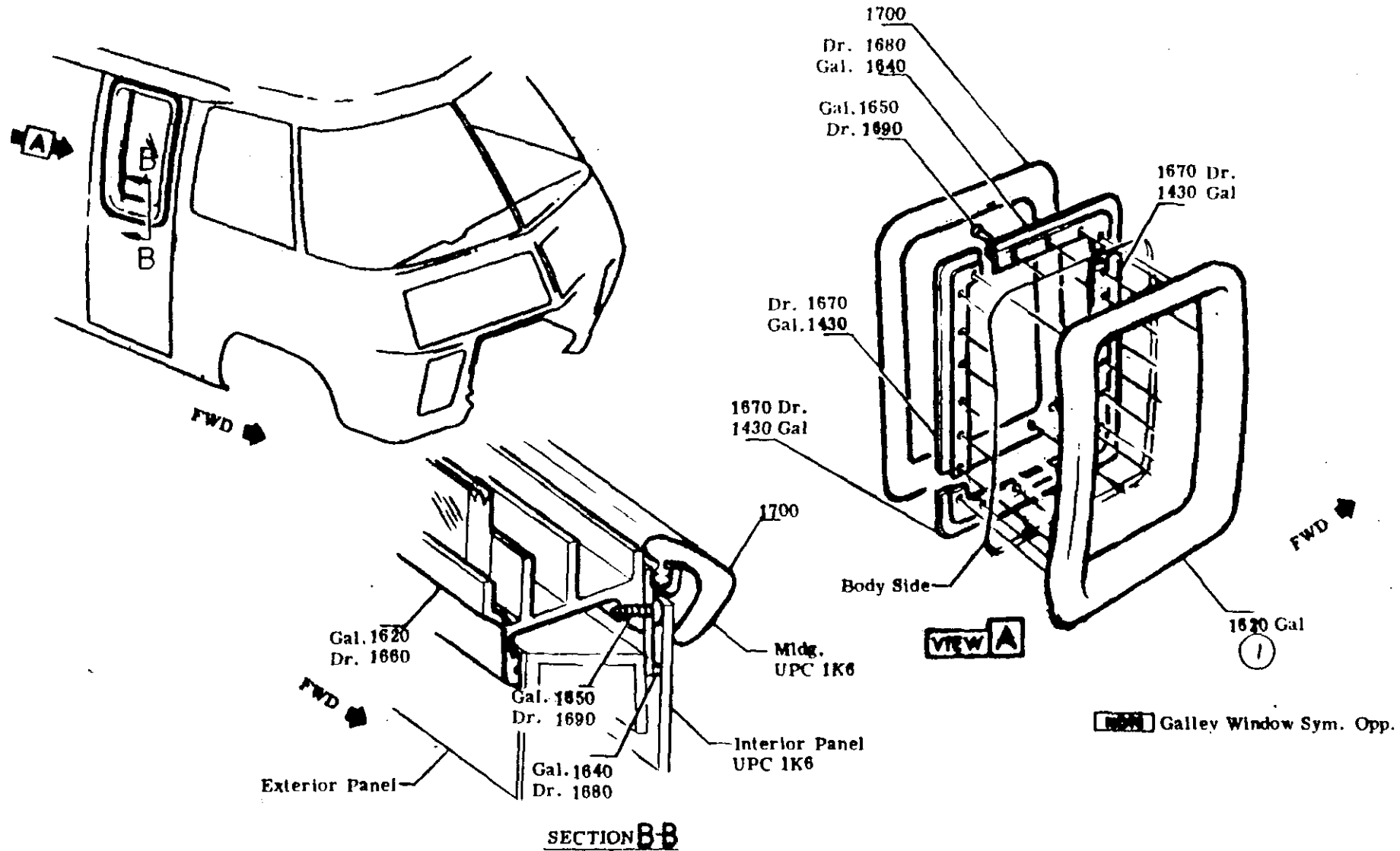
VIEW A
LH Side Sym. Opposite



DYNAM (Installation) 105	HAND (Inspection) 105	DATE	SYM	REVISION	AUTH	DR	CK	DEPARTMENTS	TRUCK	BOOK
△				ORIGINAL RELEASE					'78 TRUCK	BOOK 70
△									A-WINDOW	
△									BODY SIDE, REAR END, QTR. & DECK	DIVISION/UPC 1C4
△										SHEET 23

□ ITEM REFERENCE ◊ PROCESS MATERIAL ▲ TORQUE ■ PART OF OR EXISTING

GMT 922 1-73



SECTION B-B

BY (Inst.)	BY (Ins.)	DATE	SYM	REVISION	APP	DR	CK	DEPARTMENTS
		7/26/77		ORIGINAL RELEASE				
		4-1-77		ITEM LAG REMOVED				

TRUCK

TITLE
SIDE DOOR & GALLEY WINDOW

BOOK 70

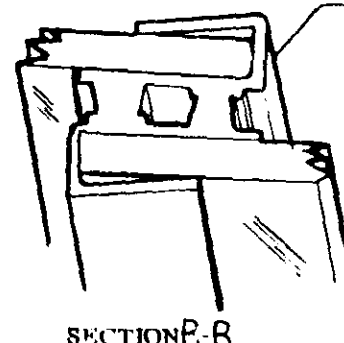
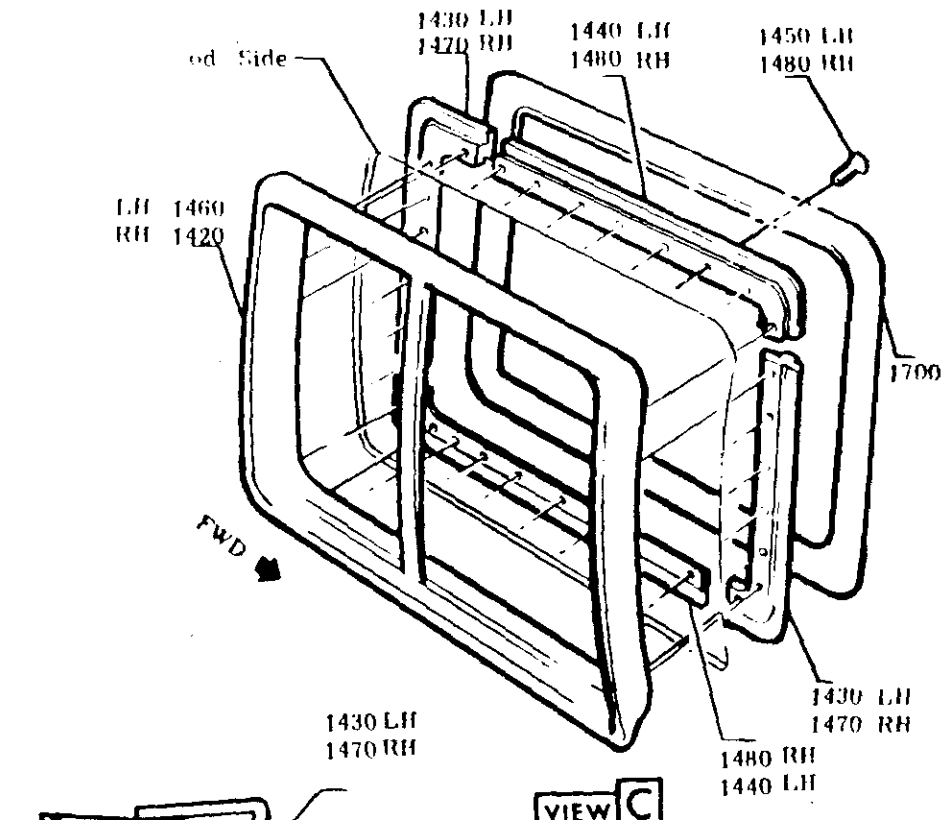
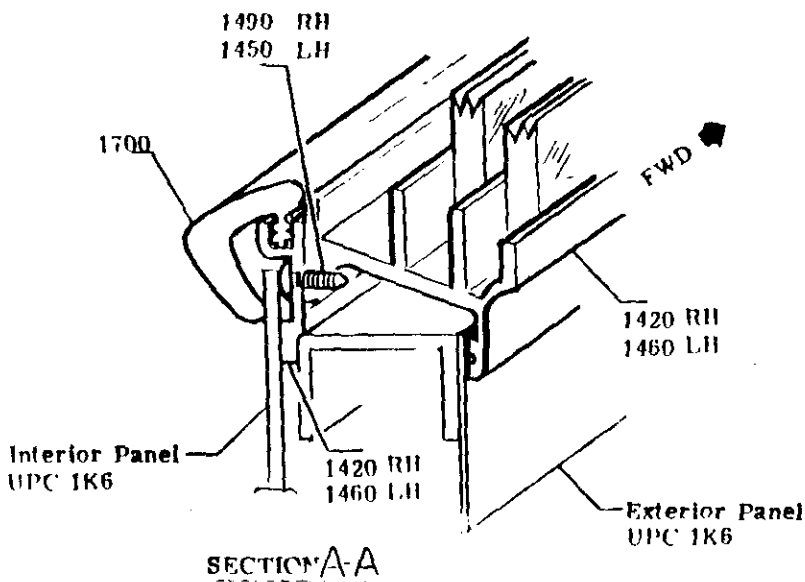
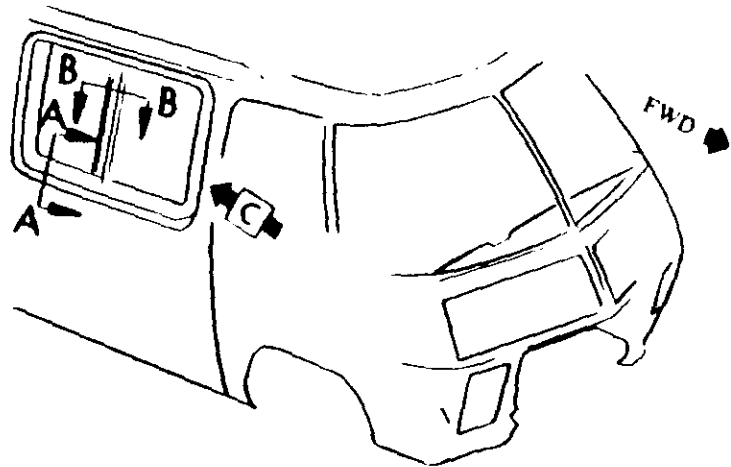
REAR END QTR. & DECK

10A

SHEET **24**

□ ITEM REFERENCE ◇ PROCESS MATERIAL △ TORQUE ▣ PART OF OR EXISTING

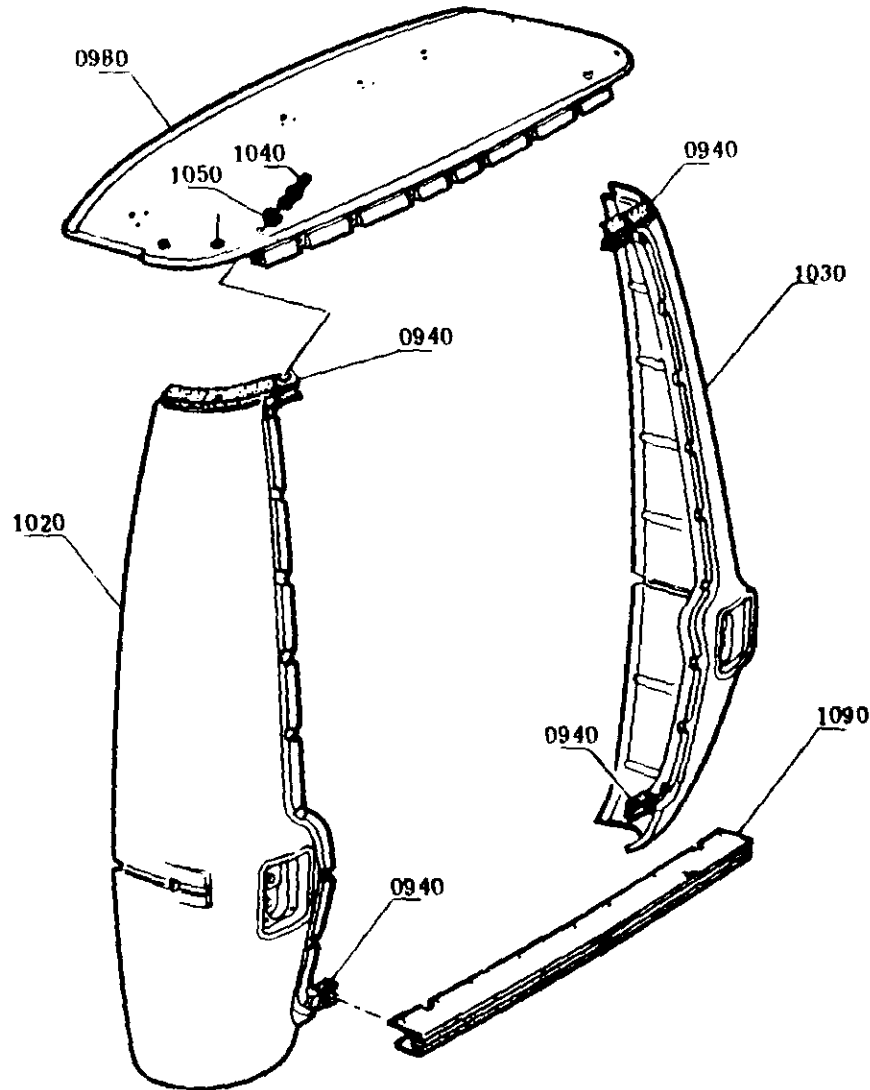
GMT 922 8/74



DYNAMIC (Installation) LBS	HARD (Inspection) LBS	DATE	SYM	REVISION	AUTH	DR	CR	DEPARTMENTS	TITLE	SHEET
△				ORIGINAL RELEASE	HISC				78 TRUCK	BOOK 70
△									FRONT SIDE WINDOW	
△									BODY SIDE, REAR END, CTR. & DECK	DIVISION/UPC
△									1C4	25

GMT 922 1-73

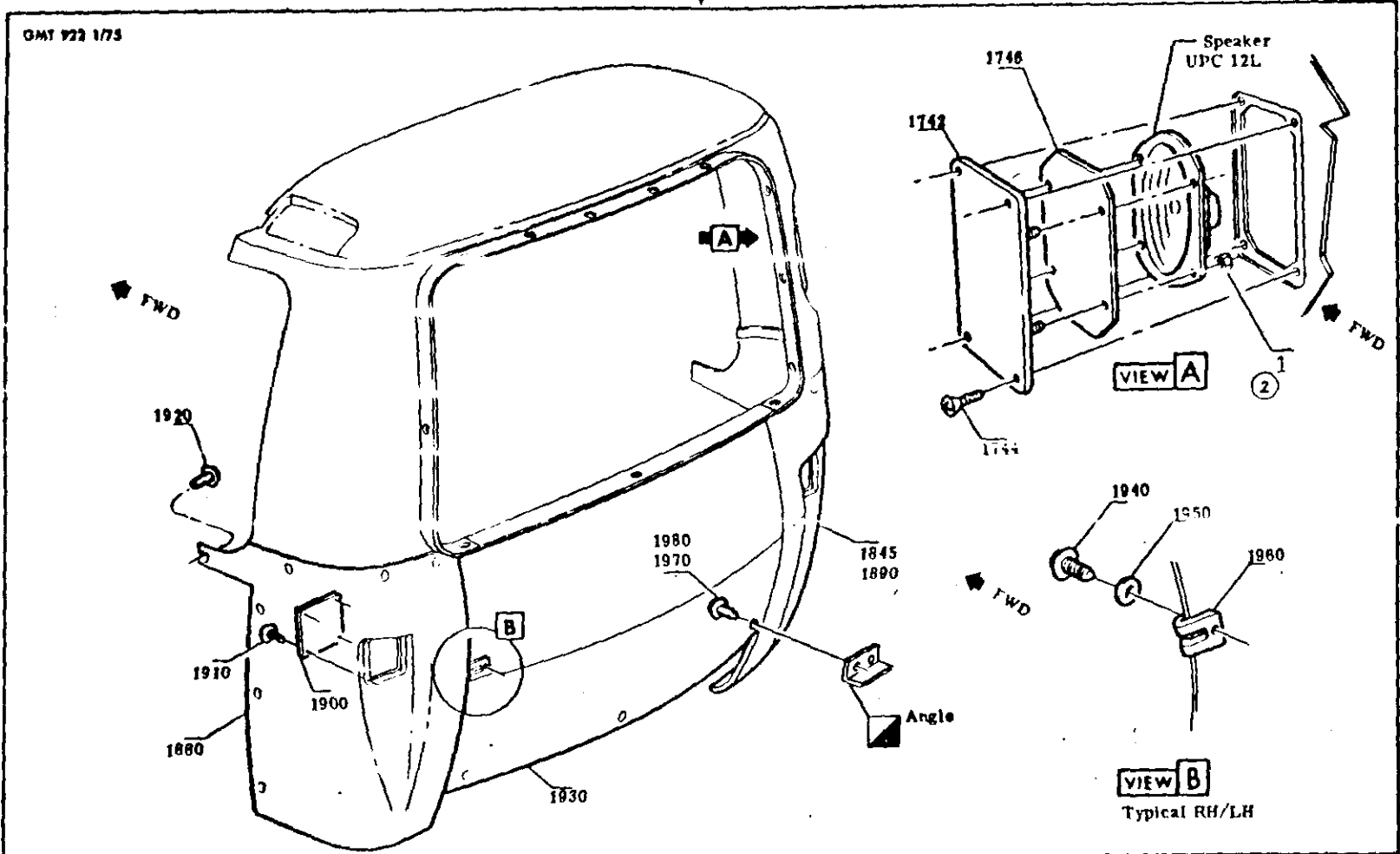
◆ FWD



DYNAMK (Installation) - LBS	HAND (Inspection) - LBS	DATE	SYM	REVISION	AUTH	DR	CK	DEPARTMENTS
		11/73		ORIGINAL RELEASE	1791			

'78 TRUCK	BOOK 70
TITLE ROOF CAP, OUTER PILLARS & BRACE	
NAME BODY SIDE, REAR END, QTR. & DECK	DIVISION ICA
	SHEET 27

□ ITEM REFERENCE ◇ PROCESS MATERIAL △ TORQUE ▣ PART OF OR CENTERING



REV	PART
1880	2007912 *
1890	2007916 *
1900	2463236
1910	7414721
1920	9414733
1930	713193
1940	9416166
1950	140270
1960	9431530
1970	000000
1980	140270
1742	700880
1744	1711000
1746	700281
1	9414761

* SEE 4/41

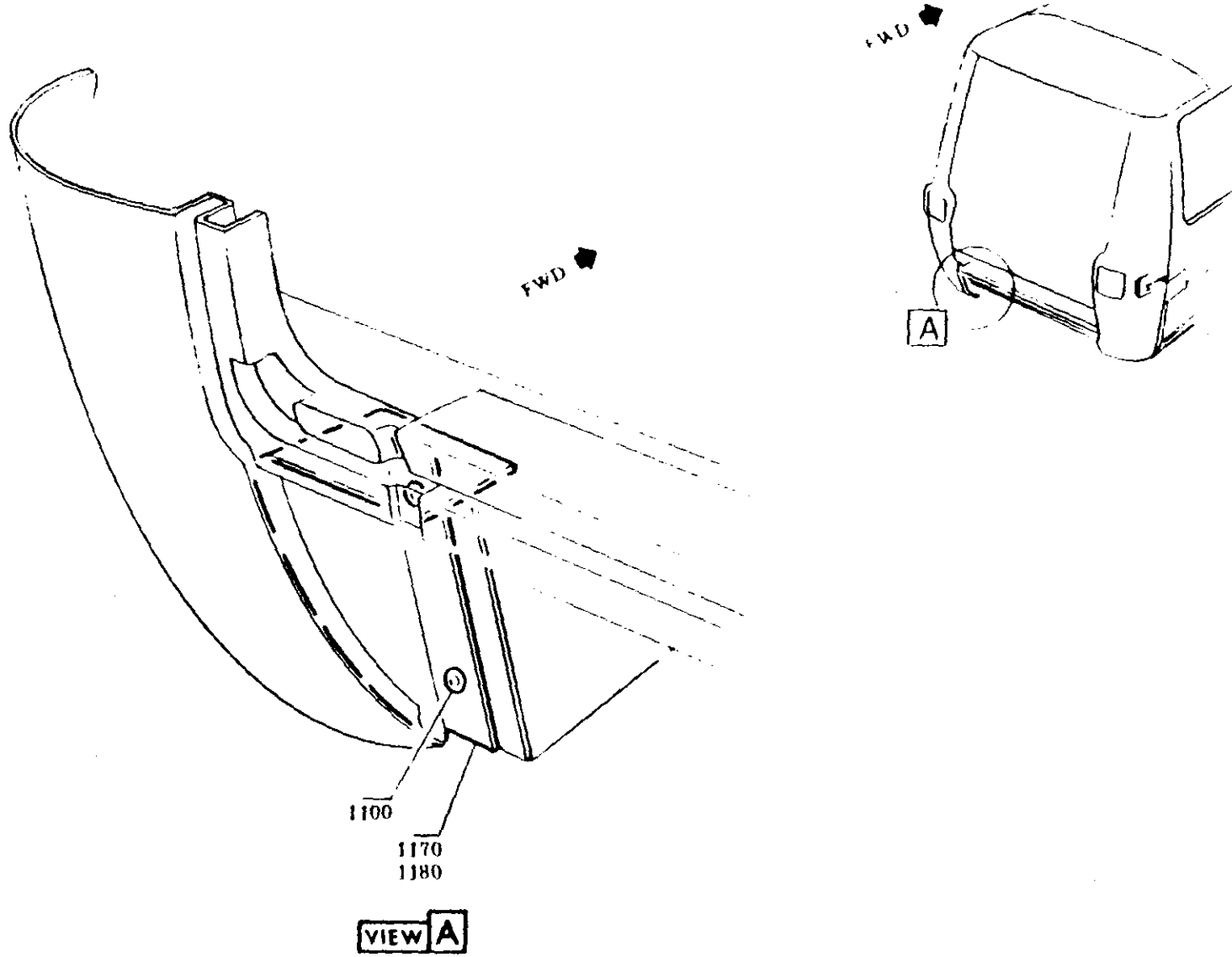
DATE	SYD	REVISION	BY	CHK	DEPARTMENTS
1/4/77		ORIGINAL RELEASE	W. GARRON		
2/2/77		VIEW "C" ADDED	R. THOMPSON		
2/2/77		IT-1 ADDED			

78 TRUCK		BOOK 70
TITLE REAR END INTERIOR TRIM		
NAME BODY SIDE, REAR END, D/R & DECK	OVERSHEET 1C4	SHEET 29

REVISED L 4251
PRELIMINARY

□ ITEM REFERENCE ◇ PROCESS MATERIAL △ FORM ▣ PART OF OR EXISTING

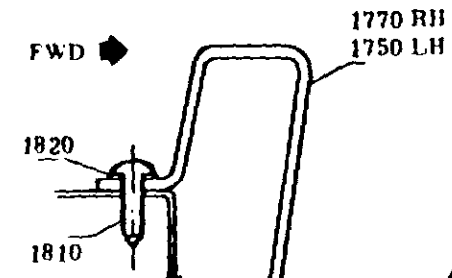
GMT 922 1-73



DYNAMIC Installation	WIND (Inspection)	DATE	SYM	REVISION	AUTH	DN	EX	DEPARTMENTS
△		1-73		ORIGINAL RELEASE	97100			
△								
△								
△								
△								

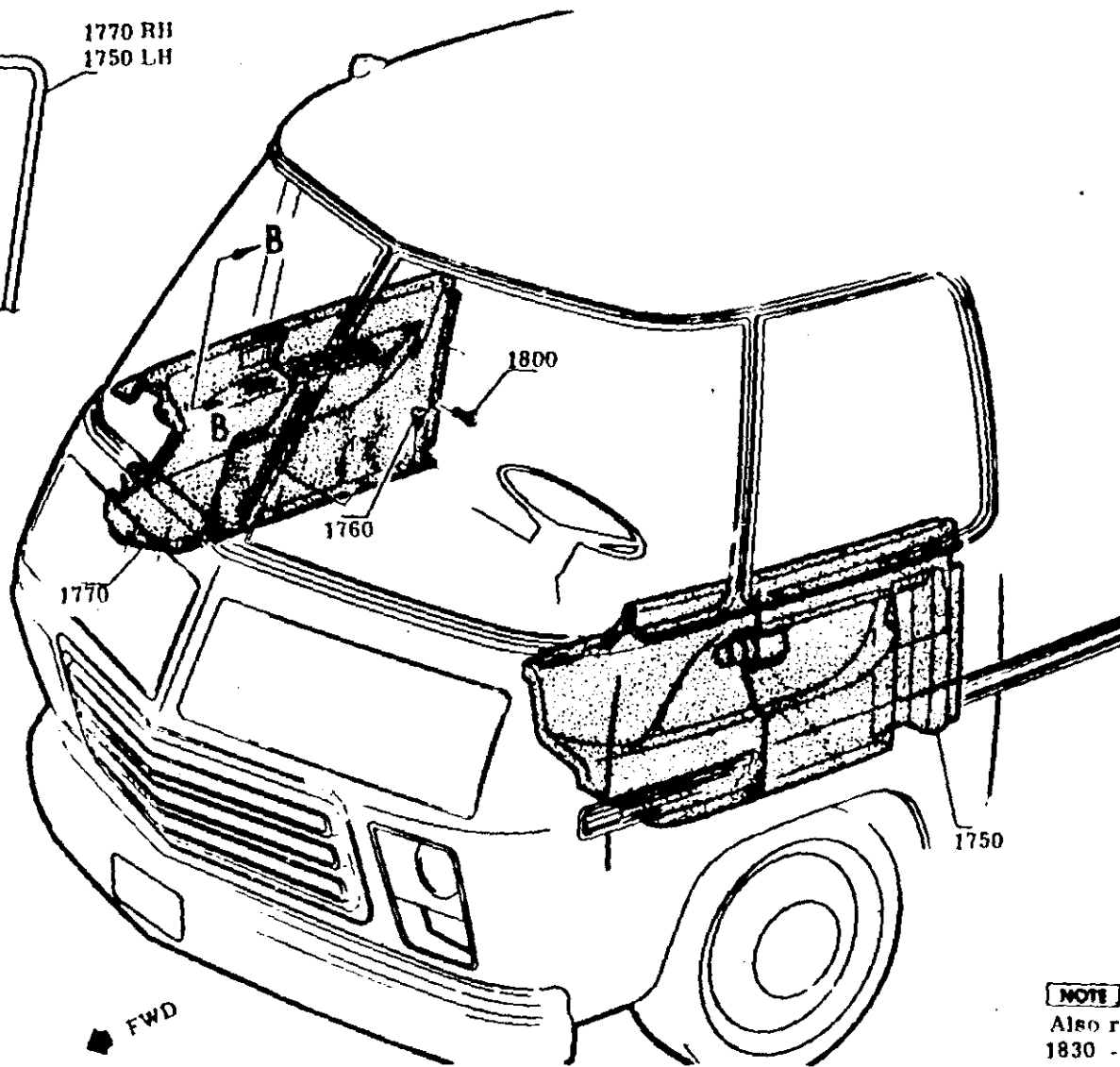
78 TRUCK		BOOK 70
TITLE INSULATION SHIELD		
NAME BODY SIDE, REAR END, QTR. & DECK	DIVISION 1C4	SHEET 30

GMT 922 1-73



SECTION B-B

TYP SIDE PNL
ALONG FRT UPR
FLANGE.



NOTE

Also req'd. (Not shown) are
1830 - Ash Trays, 1840 - Storage Box,
1780 - Label

BY whom (Installation) - LBS	DATE	SYN	REVISION	AMT	DR	CR	DEPARTMENTS	TITLE
▲ ▲ ▲ ▲	1/16/73		ORIGINAL RELEASE	47001	✓	▲	GENERAL	78 TRUCK BOOK 70
								FRONT END INTERIOR TRIM
								BODY SIDE, REAR END, QTR. & DECK
								DIVISION 1C4 SHEET 33



PRODUCT DESCRIPTION MANUAL

ASSEMBLY INFORMATION

GMT 1001 REV 8/78

GMPC TRUCK & COACH

ITEM	S E R I E S	P A R T S	PART OR TOOL DESCRIPTION	ADD'L DATA	Q T Y	PART NUMBER	ENGINE CODES	SERIES	BODY STN	ITEM RESTRICTION	DEPARTMENTS		CHANGE		LOGIC CODE	FUNCTION CODE	ADDITIONAL CODES	TIME
											#1	2/STA	ODI	AUTH				
AA010			RR WDG GLASS			L297					0782							1.8
AA020			ST TR PNL INSTL			L691					0782							1.1
AA030			FRT RF CAP JNR			L299					0704							1.1
AA030			PNL								0704							1.1
AA040			RR SUPP &			L386					0704							1.1
AA040			STRUCTURE								0704							1.1
AA050			RR END INT TRIM			L520					0784							1.1
AA060			RR ACC DR			L385					0704							1.2
AA070			RR CTR CLR RR			L549					0704							1.2
AA070			RF CAP								0704							1.2
AA080			RR ACC DR			L660					0704							1.2
AA090			ST ACC RR HOLD			MD1136					0704							1.2
AA090			DRN STRAP &								0704							1.2
AA090			DRILL								0704							1.2
AA100			RH ST & RBM ASM			L660		65			0704							1.3
AA100			RH ST & RBM ASM			L6340		60			0704							1.3
AA110			LH ST & RBM ASM			L660		65			0704							1.3
AA110			LH ST & RBM ASM			L6339		60			0704							1.3
AA120			WIT & ELECT ACC			L386					0704							1.3
AA120			DR								0704							1.3
AA130			RR OTR WHL DRG			L298					0704							1.4
AA140			RR DR F. CHAN			L299					0702							1.4
AA140			SUPP								0702							1.4
AA150			LK CYL ASM ENT			L633					0782							1.4
AA150			DR								0782							1.4
AA170			RH ST YR DRILL			MD1294					0702							1.4
AA170			INSTR								0702							1.4
AA180			LH ST RB DRILL			MD1285					0702							1.5
AA180			INSTR								0702							1.5
AA190			RING INSTL EMER			L494					0782							1.5
AA190			EXT								0782							1.5

1		7E06X00	
2			MODEL YEAR IS 7P
3			ORIGIN DATE 770715
4			LAST CHG. DATE
5			LAST CHG. CODE
	REFERENCE	MODEL APPLICATION BODY STOP, RR END, QUARTER & DECK UPC DESCRIPTION	70 1C4 A 1 BK. U. P. C. GRP PAGE

GMT 1061 REV. 8/78

GMC TRUCK & COACH

PRODUCT DESCRIPTION MANUAL
ASSEMBLY INFORMATION

ITEM	S E Q	PART OR TOOL DESCRIPTION	ADD'L DATA	QTY	PART NUMBER	ENGINE CODES	SERIES	BOY BIRK	ITEM RESTRICTION	DEPARTMENTS		CHANGE		LOGIC CODE	FUNCTION CODE	ADDITIONAL CODES	TIME
										#1	2/STA	CO	AUTH				
AA20014		A WINDOW			L4309						0702						1.5
AA20014		SA A CLASS			L4361						0702						1.5
AA22004		SA A CLASS			L8029						0702						2.2
AA23014		DR & DR FRM			L6617						0702						2.4
AA24014		SI WDP SCREEN			L4379						0782						2.6
AA29014		INTERIOR RR UPR			MD12906			P3			0704						2.8
AA29024		RF DRILL									0704						2.9
AA28014		RJ FRY SWIV			L7714			P3			0782						2.1
AA28024		ST LABEL									0782						2.1
AA27014		BEARING MOD F			L9552						0702						2.1
AA27024		VENT SEALS									0702						2.1
AA28014		RR ACC DR			L3856						0782						2.1
AA28014		RR ACC DR			L3856						0784						2.1
AA30014		RR ACC DR			L6604						0782						2.2
AA31014		ST & T DR HOLD			MD11396						0782						2.2
AA31024		OPEN STAMP F									0782						2.2
AA31034		DRILL									0782						2.2
AA32014		WAY F. ELECT ACC			L3868						0782						2.2
AA32024		DR									0782						2.2
AA33014		DR TYR WRL DRG			L2981						0782						2.3
AA34014		DR DLP G CHIN			L2909						0704						2.3
AA34024		SURF									0704						2.3
AA34014		DR SI TB DRILL			MD12943						0704						2.3
AA34024		INSTR									0704						2.3
AA34014		LN SY RB DRILL			MD1285						0704						2.3
AA34024		INSTR									0704						2.3
AA37014		RING INSTL EMER			L4921						0786						2.4
AA37024		EXIT									0786						2.4
AA38014		A WINDOW			L4309						0704						2.4

1 2 3 4 5	ZEDARCO										MODEL YEAR 16 78			
											ORIGIN DATE 770715			
											LAST CHG. DATE			
											LAST CHG. CODE			
	MODEL APPLICATION BODY SIDE, RR END, QUARTER & DECK										70 1C4 A 2			
UPC DESCRIPTION										BK U. P. C. GRF PAGE				

F M V S S

REFERENCE

PRODUCT DESCRIPTION MANUAL

ASSEMBLY INFORMATION

OMT 1081 REV 8/78



GENE TRUCK & COACH

ITEM	S E G	P V S	PART OR TOOL DESCRIPTION	ADD'L DATA	Q T Y	PART NUMBER	ENGINE CODES	SERIES	BODY APP	ITEM RESTRICTION	DEPARTMENTS		CHANGE		LOGIC CODE	FUNCTION CODE	ADDITIONAL CODES	FNA	LINE NOS
											#1	2/STA	CD	AUTH					
AA390			A WINDOW			L439					0782								2.4
AA400			SA S GLASS			L436					0704								2.4
AA410			SA E GLASS			L436					0782								2.5
AA420			SA S GLASS			L402					0704								2.5
AA430			SA E GLASS			L402					0782								2.5
AA440			DR R DR FRM			L661					0704								2.5
AA450			DR E DR FRM			L661					0782								2.5
AA460			SI WND SCREEN			L437					0784								3.1
AA470			SI WND SCREEN			L437					0784								3.3
AA480			INTERJOB RR UPD			MD12006			B3		0782								3.5
AA490			RR DRILL								0782								3.6
AA490			INTERJOB RR UPD			MD12006			R3		0784								3.8
AA490			RR DRILL								0784								3.9
AA500			RJ FRT SWIV			L771			B3		0782								3.1
AA500			RY LABEL								0782								3.1
AA510			RR SPRG INSTL			L425					0782								3.1
0010A			PNL LWR FRT LH			69161		65			0702	3		0000030025					3.1
0010A			PNL LWR FRT LH			69163		60			0702	3		0000030025					3.1
0020A			PNL LWR FRT RH			69161		65			0702	3		0000030030					3.1
0020A			PNL LWR FRT RH			69163		60			0702	3		0000030030					3.2
0030A			PNL DTR WHL OPC		2	69161					0702	3		0000030035					3.2
0040A			PNL ST ACC LH			69404		65			0704	9		0000090105					3.2
0040A			PNL ST ACC LH			69404		60			0704	9		0000090105					3.2
0050A			PNL ST ACC RH			69404		65			0704	9		0000090110					3.2
0050A			PNL ST ACC RH			69404		60			0704	9		0000090110					3.2
0060A			STRAP DR OPEN		2	71322					0782	38		0000380045					3.3
0070A			BOLT STRAP			394535					0782	38							3.3
0080A			WA			942109					0782	38							3.3

1 2 3 4 5	REFERENCE	2FOAX00	MODEL YEAR IS 78
			ORIGIN DATE 770715
			LAST CHG. DATE
		MODEL APPLICATION	LAST CHG. CODE
		BODY SIDE, RR END, QUARTER & DECK	70 1C4 A 3
	UPC DESCRIPTION	BR U. P. C. QPW	PAGE

PRODUCT DESCRIPTION MANUAL

ASSEMBLY INFORMATION

GMT 1001 REV. 5/78

GMC TRUCK & CONCRETE

ITEM	QTY	ART OR TOOL DESCRIPTION	ADD'L DATA	QTY	PART NUMBER	ENGINE CODES	SERIES	REV	ITEM RESTRICTION	DEPARTMENTS		CHANGE CD	LOGIC CODE	FUNCTION CODE	ADDITIONAL CODES	PKT	REV
										#1	#2/STA						
0000AA		11 NUT			2292732					0702	38						3.3
0100AA		SCR			9414727					0702	38						3.3
0110AA		REINF ACC DR HGF		6	790545		65			0704	9		0000	090115			3.4
0110AA		REINF ACC DR HGF		4	790545		60			0704	9		0700	090115			3.4
0120AA		LATCH ACC DR		4	707991					0704	9		0000	090120			3.4
0130AA		RIV LATCH		8	668290					0704	9						3.4
0140AA		RIV DR HGF		18	700368		65			0704	9						3.4
0140AA		RIV DR HGF		12	700368		60			0704	9						3.4
0150AA		HGF ST ACC DR		6	702821		65			0704	9		0000	090125			3.5
0150AA		HGF ST ACC DR		4	702821		60			0704	9		0000	090125			3.5
0160AA		PNL FRT UPR ST	LH	1	694034			R		0702	3		0000	030040			3.5
0160AA		PNL FRT UPR ST	LH	1	724362		60	R3-APQ		0702	3		3611	030040			3.5
0160AA		PNL FRT UPR ST	LH	1	724362		65	R3-APR		0702	3		3610	030040			3.5
0160AA		PNL FRT UPR ST	LH	1	694034		60	R3APQ		0702	3		3612	030040			3.5
0160AA		PNL FRT UPR ST	LH	1	694034		65	R3APR		0702	3		3609	030040			3.5
0170AA		PNL FRT UPR ST	RH	1	699611			R		0702	3		0000	030045			3.5
0170AA		PNL FRT UPR ST	RH	1	694036		60	R3		0702	3		0000	030045			4.1
0170AA		PNL FRT UPR ST	RH	1	792407		65	R3-APB		0702	3		3610	030045			4.2
0170AA		PNL FRT UPR ST	RH	1	699611		65	R3ADR		0702	3		3609	030045			4.3
0180AA		PNL RR UPR ST LH		1	694033			R		0702	3		0000	030050			4.5
0180AA		PNL RR UPR ST LH		1	724364		60	R3-APQ		0702	3		3611	030050			4.6
0180AA		PNL RR UPR ST LH		1	724364		65	R3-APR		0702	3		3610	030050			4.7
0180AA		PNL RR UPR ST LH		1	792428		60	R3APQ		0702	3		3612	030050			4.8
0180AA		PNL RR UPR ST LH		1	792262		65	R3APR		0702	3		3609	030050			4.9
0190AA		PNL RR UPR ST RH		1	2028034			R1-U97		0702	3		3693	030055			4.1
0190AA		PNL RR UPR ST RH		1	724364		60	R3-APQ		0702	3		3611	030055			4.1
0190AA		PNL RR UPR ST RH		1	724364		65	R3-APR		0702	3		3610	030055			4.1
0190AA		PNL RR UPR ST RH		1	694033		60	R3APQ		0702	3		3612	030055			4.1
0190AA		PNL RR UPR ST RH		1	699610		65	R3APR		0702	3		3609	030055			4.1
0190AA		PNL RR UPR ST RH		1	2028035			R1U97		0702	3		3613	030055			4.1
0200AA		PNL INT LWR ST		1	691641		60	R3		0702	3		0000	030060			4.1
0210AA		PNL INT UPR ST		1	724365		60	R3-APQ		0702	3		3611	030065			4.2
0210AA		PNL INT UPR ST		1	694033		60	R3APQ		0702	3		3612	030065			4.2
0212AA		COMPY ELEC ONLY		1	2012757			U97		0704	14		3613	140020			4.2

	7ENAX00	MODEL YEAR IS 78
		ORIGIN DATE 770715
		LAST CHG DATE
		LAST CHG CODE
		70 1C4 A 4
F.M.V.S.E.	REFERENCE	BK V. P. C. QMP PAGE



PRODUCT DESCRIPTION MANUAL

ASSEMBLY INFORMATION

GMT 1061 REV. 9/78

GM TRUCK & COACH

ITEM	QTY	PART OR TOOL DESCRIPTION	ADD'L DATA	QTY	PART NUMBER	ENGINE CODES	SERIES	BOX BRK	ITEM ABSTRACTION	DEPARTMENTS		CHANGE		LOGIC CODE	FUNCTION CODE	ADDITIONAL CODES	LINE NOS
										#1	2/STA	CD	AUTH				
0300AA	1	POST SI LWR		1	71950		65			0702	0			0000991015			5.1
0310AA	1	POST SI LWR		1	68883					0702	0			0000991020			5.1
0310AA	1	POST SI LWR		1	68883		60			0702	0			0000991020			5.1
0310AA	1	POST SI LWR		1	68883		65			0702	0			0000991020			5.2
0320AA	1	POST SI LWR		1	70397					0702	0			0000991025			5.2
0330AA	1	POST FR LWR SI		1	71648					0702	0			0000991030			5.2
0340AA	1	PNL INT UPR LH		1	69892					0702	0			0000991040			5.2
0350AA	1	PNL INT UPR RH		1	69892		65			0702	0			0000991045			5.2
0360AA	1	RYMOUT DMST		1	246498					0702	0						5.3
0370AA	1	DMST LWR RR LH		1	70407		60			0702	0			0000991050			5.3
0370AA	1	DMST LWR RR LH		1	70407		65			0702	0			0000991050			5.3
0380AA	1	DMST LWR RR RH		1	2007954					0702	0			0000991055			5.3
0380AA	1	DMST LWR RR RH		1	696155					0702	0			0000991055			5.3
0390AA	1	SUPY DM TAL		1	70198					0702	0			0000991060			5.3
0400AA	1	DRY DMV SIBY		1	79196					0702	0			0000991065			5.4
0410AA	1	DMST SI UPR		1	68883		65			0702	0			0000991070			5.4
0410AA	1	DMST SI UPR		1	68883		60			0702	0			0000991070			5.4
0420AA	1	DMST SI UPR RR		1	71642					0702	0			0000991075			5.4
0430AA	1	DMST UPR FR LIP		1	71698					0702	0			0000991080			5.4
0440AA	1	DMST UPR FOT RH		1	71698					0702	0			0000991085			5.4
0450AA	1	BEAM BLY BL FR		1	2007956		65			0702	0			0000991090			5.5
0450AA	1	BEAM BLY BL FR		1	2007955		60			0702	0			0000991090			5.5
0460AA	1	BEAM BLY BL RR		1	2007957		65			0702	0			0000991095			5.5
0460AA	1	BEAM BLY BL RR		1	2007978		60			0702	0			0000991095			5.5
0470AA	1	BEAM BLY BL LH		1	2007979		65			0702	0			0000991100			5.5
0470AA	1	BEAM BLY BL LH		1	2007980		60			0702	0			0000991100			5.5
0480AA	1	BEAM DSY RF		1	69400		60			0702	0			0000991105			6.1
0490AA	1	BEAM DSY RF		1	69160		60			0702	0			0000991110			6.3
0500AA	1	BEAM DSY RH LH		1	69160		65			0702	0			0000991115			6.5

1		7E06X00	
2			MODEL YEAR 1978
3			ORIGIN DATE 770715
4			LAST CHG. DATE
5			LAST CHG. CODE
F.M.V.S.E.	REFERENCE	MODEL APPLICATION BODY SIDE, RR END, QUARTER & DECK UPC DESCRIPTION	70 IC4 A 6 BR. U. F. C. GMF PAGE

PRODUCT DESCRIPTION MANUAL

ASSEMBLY INFORMATION

GMT 1987 REV. 8/78



GM TRUCK & COACH

ITEM NO.	PART OR TOOL DESCRIPTION	ADD'L DATA	QTY	PART NUMBER	ENGINE CODES	SERIES	REV	ITEM RESTRICTION	DEPARTMENTS		CHANGE		LOGIC CODE	FUNCTION CODE	ADDITIONAL CODES	LINE NOS
									#1	2/STA	CD	AUTH				
0510AA	BEAM PST RR RH		1	688816		65			0702	0			0000991120			6.7
0520AA	RIVET BEAM		6	700368					0702	0						6.9
0530AA	REINF FRT SASH		2	696157					0702	0			0000991125			6.11
0540AA	BEAM LWR FRT RH		1	791356		65			0702	0			0000991130			6.13
0540AB	BEAM LWR FRT RH		1	792442		60			0702	0			0000991130			6.14
0550AA	BEAM LWR FRT LH		1	791355		65			0702	0			0000991135			6.16
0550AB	BEAM LWR FRT LH		1	792425		60			0702	0			0000991135			6.17
0560AA	SUPT FRT SASH		4	691611		65			0702	0			0000991140			6.19
0560AB	SUPT FRT SASH		2	691611		60			0702	0			0000991140			6.20
0570AA	SUPT UPR SASH LH		1	688821					0702	0			0000991145			6.22
0580AA	SUPT UPR SASH RH		1	688821		65			0702	0			0000991150			6.24
0590AA	SUPT FRT SASH LH		4	2006420		65			0702	0			0000991155			6.26
0590AB	SUPT FRT SASH LH		2	2006420		60			0702	0			0000991155			6.27
0600AA	SUPT FRT SASH R.		2	2006421		60			0702	0			0000991160			6.29
0610AA	SUPT INTN SASH		2	688824		65			0702	0			0000991165			6.31
0620AA	SUPT RR SASH		4	2006419					0702	0			0000991170			6.33
0630AA	BEAM LWR RR LH		1	791369		65	83		0702	0			0000991175			6.35
0640AA	BEAM LWR RR		2	791369		65	81		0702	0			0000991180			6.37
0640AB	BEAM LWR RR		2	791369		60	83		0702	0			0000991180			6.38
0650AA	BEAM LWR RR RH		1	791369		65	83		0702	0			0000991185			6.40
0660AA	GUSSET BEAM W-H		4	702672					0702	0			0000991190			6.42
0670AA	EXT RR LWR PST		1	791376			81		0702	0			0000991195			6.44
0670AB	EXT RR LWR PST		1	792420			83		0702	0			0000991195			6.45
0680AA	EXT RR LWR LH		1	791352		65	-KNC		0702	0			3595991200			6.47
0680AB	EXT RR LWR LH		1	792421		60			0702	0			0000991200			6.48
0680AC	EXT RR LWR LH		1	792004			81KNC		0702	0			3495991200			6.49
0681AA	EXT RR LWR LH		1	792005			81KNC		0702	0			3495991202			6.51
0690AA	POST MTR GEN FRT		1	703974			81		0702	0			0000991205			6.53
0700AA	EXT RR LWR RH		1	792422		60			0702	0			0000991210			6.55

2E06X00

MODEL APPLICATION
BODY SIDE, RR END, QUARTER & DECK
VPS DESCRIPTION

MODEL YEAR 1978
ORIGIN DATE 770715
LAST CHG. DATE 770817
LAST CHG. CODE
TO 1C4 A T
BY V. P. G. 978 PARS



PRODUCT DESCRIPTION MANUAL

ASSEMBLY INFORMATION

GMT 1061 REV. B/78

ENGINE TRUCK & CRACK

ITEM	S E G	PART OR TOOL DESCRIPTION	ADD'L DATA	QTY	PART NUMBER	M O D	ENGINE CODES	SERIES	BOY B/W	ITEM RESTRICTION	DEPARTMENT		CHANGE CD	AUTH	LOGIC CODE	FUNCTION CODE	ADDITIONAL CODES	F.	TIME US
											#1	2/STA							
0710AA		POST MTR GEN RR			703974				R1		0702	0			0000	991215			6.5
0720AA		POST LP TAN FRT			704074				R1		0702	0			0000	991220			6.5
0730AA		SUPT SI PNL LH			701424				R1		0702	0			0000	991225			6.5
0740AA		FRT LWR RKR SPT			699122						0702	0			0000	991230			7.1
0750AA		DOOR WAT E FLEC			702305				R1		0704	9			0000	090130			7.3
0760AA		HINGE DOOR			702304				R1		0704	9			0000	090135			7.5
0770AA		SEAL DR SI			2029974				R1		0702	3			0000	030080			7.7
0780AA		SEAL DR UPH			702309				R1		0702	3			0000	030085			7.9
0790AA		TAPE TAP			8861584				R1		0702	3							7.1
0800AA		STRIPER DR LK			702349				R1		0702	0			0000	991235			7.1
0810AA		RIVWUY STRP			700368				R1		0702	0							7.1
0820AA		SUPT DR FRT LH			701420						0702	0			0000	991240			7.1
0830AA		SUPT DR RR LH			701422						0702	0			0000	991245			7.1
0840AA		SUPT DR LWR LH			701419						0702	0			0000	991250			7.2
0850AA		SUPT TR UPH LH			701416			65			0702	0			0000	991255			7.2
0860AA		SUPT TR DR LH			701421			60			0702	0			0000	991255			7.2
0870AA		PNL LH DR CLSR			793157			60	R3		0704	8			0000	080035			7.2
0880AA		PNL LH DR CLSR			793156			65	R3		0704	8			0000	080035			7.2
0890AA		SCR CLSR PNL			791702				R3		0704	8							7.2
0900AA		RIV CLSR PNL			700368			60	R3		0704	8							7.3
0910AA		RIV CLSR PNL			700368			65	R3		0704	8							7.3
0920AA		SEAL POW			8861094			60	R3		0704	8							7.3
0930AA		SEAL TAP			8861094			65	R3		0704	8							7.3
0940AA		PNL UP DR CLSR			793157				R3		0704	8			0000	080040			7.3
0950AA		SCR CLSR PNL			791702				R3		0704	8							7.3
0960AA		RIV CLSR PNL			700368			60	R3		0704	8							7.4
0970AA		RIV CLSR PNL			700368			65	R3		0704	8							7.4

1																			
2																			
3																			
4																			
5																			
REFERENCE																			

2E66X00

MODEL APPLICATION
BODY SIDE, RR END, QUARTER & DECK
UPC DESCRIPTION

MODEL YEAR IS 78
ORIGIN DATE 770715
LAST CHG. DATE
LAST CHG. CODE
70 1C4 A 8
BK U. P. C. QRP PAGE



PRODUCT DESCRIPTION MANUAL

ASSEMBLY INFORMATION

GMT 1081 REV. 8/75

GM TRUCK & COACH

ITEM	PART OR TOOL DESCRIPTION	ADD'L DATA	QTY	PART NUMBER	ENGINE CODES	SERIES	REV	ITEM RESTRICTION	DEPARTMENTS		CHANGE		LOGIC CODE	FUNCTION CODE	ADDITIONAL CODES	PKA	LINE NOS
									#1	2/5TA	CD	AUTH					
LY30AA	SEAL 89"		*	8861094		60	83		0704	8							7.44
LY30AB	SEAL 105"		*	8861094		65	83		0704	8							7.45
LY40AA	ADHESIVE MBR		*	8860766					0704	8							7.46
LY50AA	SCR RR VNT DR		2	9414714					0704	8							7.47
LY60AA	RIV LH SI PNL		15	700368					0704	8							7.51
LY70AA	RIV RH SI PNL		14	700368					0704	8							7.53
LY80AA	CAP RR RF		1	691621					0704	9			0000090140		M		7.55
LY90AA	SCR CAP		5	9419967					0704	9							7.57
1G00AA	NUT		5	9431532					0704	9							7.59
1G10AA	RIVET		14	2001628					0704	9							8.01
1G20AA	PILLAR RR OTR LH		1	691623					0704	9			0000090142		M		8.04
1G30AA	PILLAR RR OTR RH		1	691622					0704	9			0000090144		M		8.06
1G40AA	RIVET PLK		6	708648					0704	9							8.08
1G50AA	WA RIVET		6	9421089					0704	9							8.10
1G60AA	NUT		14	271178					0704	9							8.12
1G70AA	WA		14	120392					0704	9							8.14
1G80AA	WA		14	3790662					0704	9							8.16
1G90AA	BRACE RR COR PLR		1	696146					0704	9			0000090145		M		8.18
1I00AA	RV BRACE FLR		18	700368					0704	9							8.20
1I10AA	DUM RR ALL	EAL	1	721342					0704	14			0000140007		M		8.22
1I11AA1	NOTE: ITEM #1112 AND #1114 ARE PART OF ASM #1110								0704								8.24
1I12AA	UGOR ASM		1	691618					0704	14						02093	8.26
1I14AA	INSULATION FOAM		*	R 37391					0704	14							8.28
1I20AA	SCR DR BR		7	9416844					0704	14							8.30
1I30AA	SEAL 26E"		*	8860947					0786	85							8.32

1 2 3 4 5 F.M.V.S.S.	REFERENCE ZE06X00 MODEL APPLICATION BODY SIDE, RR END, QUARTER & DECK UPC DESCRIPTION	MODEL YEAR 1978 ORIGIN DATE 770715 LAST CHG. DATE LAST CHG. CODE 70 1C4 A 9 BK U. P. C. ONP PAGE
-------------------------------------	---	---

PRODUCT DESCRIPTION MANUAL

ASSEMBLY INFORMATION

GMT 1951 REV. 5/75

EXPLANATION

ITEM NO.	PART OR TOOL DESCRIPTION	QTY	PART NUMBER	ENGINE CODES	SEMI-TRUCK	TRUCK	ITEM DESCRIPTION	QTY	QTY	QTY	QTY	QTY	QTY	QTY	QTY	QTY	QTY	QTY
1000AA	ADHESIVE	8	6981098					0704	05									
1000AA	SCR DR TO PKR	25	702627					0704	14									
1100AA	RVNT LIC BKRT	2	2266070					0704	14									
1100AA	SHIELD INSUL LH	1	703737					0704	9			0000090150						
1100AA	SHIELD INSUL RH	1	703738					0704	9			0000090150						
1100AA	FIVET SHLD	4	700368					0704	9									
1100AA	ADHESIVE BODY	8	6980704					0704	9									
1200AA	WINDOW RH A	1	791720					0782	43			0000430020						
1200AA	SCR A WDG	10	9437759					0782	43			01590						
1200AA	SUPT A WDG	4	702967					0782	43			0000430024						
1200AA	SCR SUPT	8	9414714					0782	43									
1200AA	MUG A WDG RR	1	698148					0784	64			0000640009						
1200AA	PKR A WDG RR	1	708431					0782	43			0000430030						
1200AA	MUG A WDG UPK	1	698148					0782	43			0000430035						
1200AA	SCR MUG	6	9416622					0782	43									
1200AA	SPLR A WDG UPK	1	708430					0782	43			0000430040						
1300AA	SPLR A WDG LWR	1	708429					0782	43			0000430044						
1300AA	WINDOW LH A	1	791719					0782	43			0000430050						
1300AA	SCR A WDG	10	9437759					0782	43			01590						
1300AA	SUPT A WDG	4	702967					0782	43			0000430054						
1300AA	SCR SUPT	8	9414714					0782	43									
1300AA	MUG A WDG RR	1	698148					0784	64			0000640010						
1300AA	SPLR A WDG RR	1	708431					0782	43			0000430060						
1300AA	MUG A WDG UPK	1	698148					0782	43			0000430065						

ZF06X00

MODEL APPLICATION
BODY SIDE, RR END, QUARTER & DECK
UPC DESCRIPTION

MODEL YEAR 70
ORIGIN DATE 7/0715
LAST CHG DATE 7/1000
LAST CHG CODE 61390
70 104 A 10
RR U. P. C. GNP PAGE

REFERENCE

1000000

PRODUCT DESCRIPTION MANUAL

ASSEMBLY INFORMATION

QNT 1001 REV. 8/78



ITEM	S E Q N O	PART OR TOOL DESCRIPTION	ADD'L DATA	QTY	PART NUMBER	ENGINE CODES	SERIES	REV. B/RK	ITEM RESTRICTION	DEPARTMENTS		CHANGE CD	AUTH	LOGIC CODE	FUNCTION CODE	ADDITIONAL CODES	F7/A	LINE NOS
										#1	2-STA							
1390A	1	SCR MLDG			9418622					0782	43							9.2
1390A	1	SPCR A WDD UPP			708430					0782	43			0000430070				9.2
1400A	1	SPCR A WDD LWR			708429					0782	43			0000430075				9.2
1410A	1	TAPE			8061460					0782	43							9.2
1420A	1	SASH RH FRT SI			790836			P		0782	46			0000460005				9.3
1420A	1	SASH PH FRT SI			790836		65	R APR		0782	46			3609460005				9.3
1430A	1	RET SASH VERT			2011506			R		0782	46			0000460010				9.3
1430A	1	RET SASH VERT			2011506		65	P APR		0782	46			3609460010				9.3
1440A	1	RET SASH FRT			2011592			R		0782	46			0000460015				9.3
1440A	1	RET SASH FRT			2011592		65	R APR		0782	46			3609460015				9.3
1450A	1	SCREW RET			26 941471			R		0782	46							9.4
1450A	1	SCREW RET			26 941471		65	R APR		0782	46							9.4
1460A	1	SASH LH FRT SI			790834			P		0782	46			0000460020				9.4
1460A	1	SASH LH FRT SI			790834			R APQ/APR		0782	46			5005460020				9.4
1470A	1	RET SASH VERT			2011506			R		0782	46			0000460025				9.4
1470A	1	RET SASH VERT			2011506			R APQ/APR		0782	46			5005460025				9.4
1480A	1	RET SASH HORZ			2011502			R		0782	46			0000460030				9.4
1480A	1	RET SASH HORZ			2011502			R APR		0782	46			5005460030				9.5
1490A	1	SCREW RET			26 941471			R		0782	46							9.5
1490A	1	SCREW RET			26 941471			R APQ/APR		0782	46							9.5
1500A	1	SASH RH RR SI			790837			R		0782	46			0000460035				9.5
1500A	1	SASH PH RR SI			790837			R APQ/APR		0782	46			5005460035				9.5
1510A	1	RET SASH VERT			2011506			R		0782	46			0000460040				9.5
1510A	1	RET SASH VERT			2011506			R APQ/APR		0782	46			0000460040				9.5
1520A	1	RET SASH HORZ			2011502			R		0782	46			0000460045				10.1
1520A	1	RET SASH HORZ			2011502			R APQ/APR		0782	46			5005460045				10.1
1530A	1	SCREW RET			20 941471			R		0782	46							10.1
1530A	1	SCREW RET			20 941471			R APQ/APR		0782	46							10.1
1540A	1	SASH LH RR SI			790835			R		0782	46			0000460050				10.1
1540A	1	SASH LH RR SI			790835			R APQ/APR		0782	46			5005460050				10.1
1550A	1	RET SASH VERT			2011506			R		0782	46			0000460055				10.1
1550A	1	RET SASH VERT			2011506			R APQ/APR		0782	46			5005460055				10.2

1 2 3 4 5		ZFO6X00 MODEL APPLICATION BODY SIDE, RR END, QUARTER & DECK UPC DESCRIPTION	MODEL YEAR IS 78 ORIGIN DATE 770715 LAST CHG DATE LAST CHG CODE 70 1C4 A 11 BK V. P. C. QNT PAGE
F.M.V.S.S.	REFERENCE		

PRODUCT DESCRIPTION MANUAL

ASSEMBLY INFORMATION

GMT 1001 REV. 8/78



CAME TRUCK & LOADER

ITEM	S E Q	PART OR TOOL DESCRIPTION	ADD'L DATA	QTY	PART NUMBER	ENGINE CODES	SERIES	BOX BRW	ITEM RESTRICTION	DEPARTMENTS		CHANGE AUTH	LOGIC CODE	FUNCTION CODE	ADDITIONAL CODES	FIL.	PAGE NOS
										#1	2 STA						
1560AA		RET SASH HNDZ			2011590			R		0782	46		0000	460060		24400	10.4
1560AB		RET SASH HNDZ			2011590			R	APQ/APR	0182	46		5001	460060			10.5
1570AA		SCREW RET			20 941471			R		0782	46						10.7
1570AB		SCREW RET			20 941471			R	APQ/APR	0182	46						10.8
1590AA		SASH OH FRT INT			790839			R	APQ	0782	46		3612	460062			10.1
1590AB		RET SASH VERT			2011596			R	APQ	0782	46		3612	460070			10.3
1600AA		RET SASH HNDZ			2011596			R	APQ	0782	46		3612	460075			10.5
1610AA		SCREW RET			16 941471			R	APQ	0782	46						10.7
1620AA		SASH LH RT INT			790839				-APQ	0782	46		0226	460089			10.9
1620AB		SASH LH ST INT			790839			R	APR-APQ	0782	46		5006	460089			10.0
1620AC		WHD VERT CLC			200302				APQ	0782	46		5007	460089			10.1
1630AA		RET SASH VERT			2011596			R		0782	46		0000	460085			10.3
1630AB		RET SASH VERT			2011596			R	APR/APD	0782	46		5008	460085			10.4
1640AA		RET SASH HNDZ			2011596			R		0782	46		0000	460090			10.6
1640AB		RET SASH HNDZ			2011596			R	APR/APD	0782	46		5008	460090			10.7
1650AA		SCREW RET			16 941471			R		0782	46						10.9
1650AB		SCREW RET			16 941471			R	APR/APD	0782	46						10.0
1660AA		SASH ST DR WH			790839					0782	46		0000	460095			10.2
1670AA		RET SASH VERT			2011596					0782	46		0000	460100			10.5
1680AA		RET SASH HNDZ			2011596					0782	46		0000	460105			10.8
1690AA		SCREW RET			20 941471			R		0782	46						10.1
1690AB		SCREW RET			16 941471			R		0782	46						10.2
1700AA		WLDG SA 100			4 886155			R		0784	64		0000	645015			10.4
1700AB		WLDG SA 01			4 886155			R		0784	64		0000	645015			10.5
1700AC		WLDG SA 7A1			4 886155			R	APQ	0784	64		3612	645015			10.6
1700AD		WLDG SA 01V			4 886155			R	APR	0784	64		3609	645015			10.7
1710AA		PLAS BK LITE			691649					0782	44		0000	440100			10.9
1720AA		SEAL GLS			721869					0782	44		0000	440105			11.

1		7ERAX00	
2			MODEL YEAR IS TR
3			ORIGIN DATE 770715
4			LAST CHG. DATE
5			LAST CHG. CODE
	REFERENCE	MODEL APPLICATION	70 1CA A 12
		BODY SIDE, RR END, QUARTER & DECK	BK U. P. C. ORP PAGE
		UPC DESCRIPTION	



PRODUCT DESCRIPTION MANUAL

ASSEMBLY INFORMATION

GMT 1061 REV. 5/78

ITEM	QTY	PART OR TOOL DESCRIPTION	ADD'L DATA	QTY	PART NUMBER	ENGINE CODES	SERIES	BODY	ITEM RESTRICTION	DEPARTMENTS		CHANGE CD	LOGIC AUTH	LOGIC CODE	FUNCTION CODE	ADDITIONAL CODES	LINE NOS
										#	2/51A						
1750AA		STRIP FIL 193"			K 37945					0782	44					27900	11.1
1750AA		RING EMERG PULL		1	706068					0782	44			0000440110		28000	11.10
1750AA		PNL RUD RR SPKR		1	700800					0782	47			0000470025		28020	11.12
1750AA		SCR PNL		1	9417311					0782	47					28025	11.14
1750AA		CVR RUD SPKR HL		2	700801				-UM2/U5B	0782	47			CORR.0459470030		28030	11.16
1750AA		CVR RUD SPKR HL		1	700811				UM2/U5B	0782	47			CORR.0225470030		28030	11.17
1750AA		PNL SI TR LH		1	799998			83		0782	44			0000440115		28100	11.19
1750AB		PNL SI TR LH		1	799998			81641/697		0782	44			3648440115		28100	11.20
1750AC		PNL SI TR LH		1	2004302			81698		0782	44			3484440115		28100	11.21
1750AA		SCREW MTG LH		4	9431515					0782	44					28200	11.23
1770AA		PNL SI TR RH		1	790079			83		0782	44			0000440120		28300	11.25
1770AB		PNL SI TR RH		1	790079			81641/697		0782	44			3648440120		28300	11.26
1770AC		PNL SI TR RH		1	2001321			81698		0782	44			3484440120		28300	11.27
1760AA		LABEL ST FWD		1	2001884					0782	44			0000440125		28350	11.29
1750AA		SCREW MTG RH		4	9431515					0782	44					28400	11.31
1800AA		SCREW PNL		6	9423437					0782	44					28450	11.33
1810AA		SCREW PNL		4	9424875					0782	44					28450	11.35
1820AA		RA		4	140251					0782	44					28475	11.37
1830AA		ASH TRAY TR PNL		1	466902					0782	44			0000440130		28500	11.40
1840AA		BOX STOR		2	1681108			83		0782	44			0000440135		28600	11.42
1840AB		BOX STOR		2	1681108			81641/697		0782	44			3648440135		28600	11.43
1840AC		BOX STOR		2	2001323			81698		0782	44			3484440135		28600	11.44
1850AA		PNL A-SUSP SW		1	701367					0782	44			0000440140		28810	11.46
1860AA		J INET PANEL		4	9420137					0782	44					28820	11.48
1870AA		SCREW PANEL		4	9419327					0782	44					28830	11.50
1880AA		PNL RR LWR LH		1	2007911			81		0784	62			0000625160		28900	11.52
1880AB		PNL RR LWR LH		1	2007912			83		0784	62			0000625160		28900	11.53

ZE06X00

MODEL APPLICATION

BODY SIDE, RR END, QUARTER & DECK

UPC DESCRIPTION

MODEL YEAR 1978

ORIGIN DATE 770715

LAST CHG. DATE 770927

LAST CHG. CODE CORR.

70 1C4 A 13

PK U. P. C. QRP PAGE

REFERENCE



PRODUCT DESCRIPTION MANUAL
ASSEMBLY INFORMATION

GMT 1081 REV. 6/78

ITEM NO.	PART OR TOOL DESCRIPTION	ADD'L DATA	QTY	PART NUMBER	M O D	ENGINE CODES	SERIES	BODY BRK	ITEM RESTRICTION	DEPARTMENTS		CHANGE CD	LOGIC CODE	FUNCTION CODE	ADDITIONAL CODES	LINE NOS
										1	2 STA					
1890AA	PNL RR LWR RH		1	2007910				81		0784	62		0000625165		M29000	11.55
1890AB	PNL RR LWR LH		1	2007916				83		0784	62		0000625165		M29000	11.56
1900AA	LVR CUR PNL		2	2463236						0784	64		0000645030		M29100	11.58
1910AA	SCREW LVR		2	9414721						0784	54					12.1
1920AA	SCREW PNL		11	9414733						0784	64					12.3
1920AB	SCREW PNL		8	9414733						0784	64					12.4
1930AA	PNL RA DR LWR		1	713193						0786	85		0000855010		M29400	12.7
1940AA	SCREW PNL		14	9416166						0786	85					12.9
1950AA	WA		14	140270						0786	85					12.11
1960AA	CLIP LWR PNL		2	9431530						0786	85		0000855015		M29700	12.13
1970AA	SCR DR ANG		2	9416166						0786	85					12.16
1980AA	WA		2	140270						0786	85					12.18

2E06X00

MODEL YEAR 1978
ORIGIN DATE 770715
LAST CHG DATE 770927
LAST CHG CODE CORR.

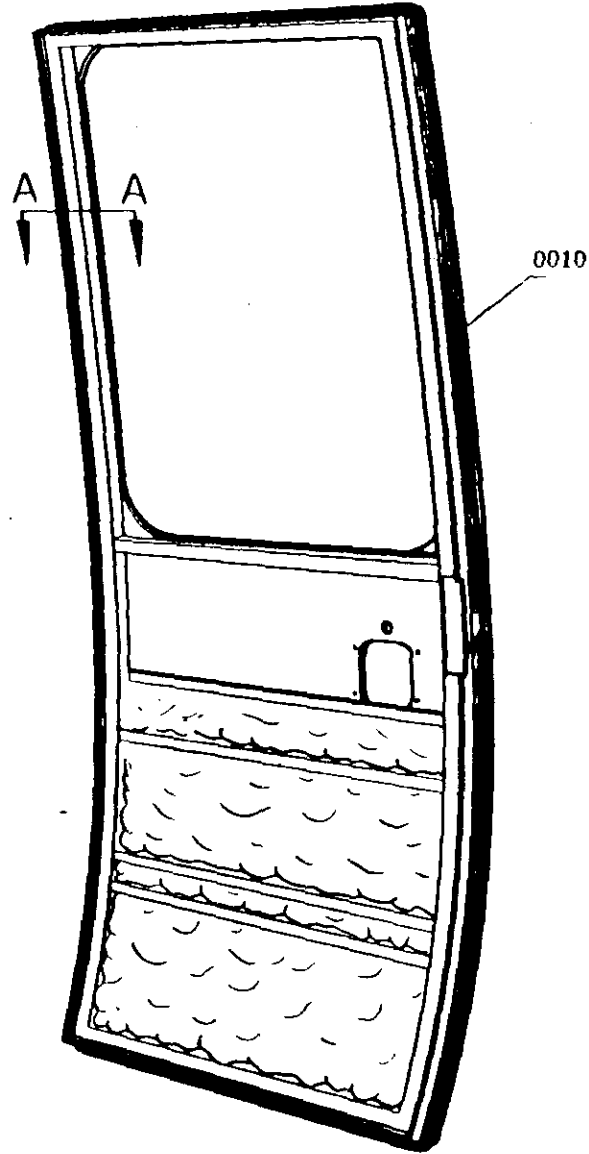
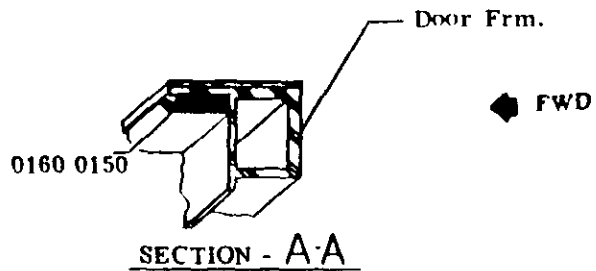
MODEL APPLICATION
BODY SIDE, RR END, QUARTER & DECK
UPC DESCRIPTION

70 1C4 A 14
BK U. P. C. OFF PAGE

F.M.V.S.S.

REFERENCE

GMT 924 1-73



DYNAMIC (Installation) - (BS)	PLANO (Inspection) - (BS)	DATE	SYM	REVISION	AUTH	OR	CK	DEPARTMENTS
△		67.77		ORIGINAL RELEASE	47000	Shw	PK	THOMPSON
△								
△								
△								
△								

78 TRUCK		BOOK 70	
TITLE			
DOOR SEALER			
FRONT DOOR & DOOR FRAME	DIVISION	SHEET	
	1C5A	1	

PRODUCT DESCRIPTION MANUAL

ASSEMBLY INFORMATION

GMT 1001 REV. 8/78



ITEM	QTY	PART OR TOOL DESCRIPTION	ADD'L DATA	QTY	PART NUMBER	ENGINE CODES	SERIES	DOY	ITEM RESTRICTION	DEPARTMENT		CHANGE AUTH	LOGIC CODE	FUNCTION CODE	ADDITIONAL CODES	FNA	NOS
										01	2/5A						
AAC101	1	LR & DR FRAME			L6017					0704							1.8
AAC201	1	DR FLR & CHAN			L2995					0704							1.10
AAC301	1	ENTR DR LK CYL			L5135					0704							1.12
AAC302	1	ASM INSTL								0704							1.13
AAC401	1	LK CYL ASM ENTR			L6635					0704							1.15
CC100A	1	DOOR ASM ENT			791395					0704	10		0000	100050			1.21
CC15AA	NOTE: ITEMS #0020 THRU #0070 ARE PART OF ASM #0010.									0704	10						1.23
CC20Z	1	PNL DR OUTER			716214					0704	10						1.25
CC30Z	1	PNL DR CUTER			689604					0704	10						1.26
CC40Z	1	ADHESIVE			8860766					0704	10						1.30
CC50Z	1	RAIL LONGIT BELT			2007983					0704	10						1.32
CC60Z	3	SCREW			9423437					0704	10						1.34
CC70Z	1	FRAME ASM DR			791394					0704	10						1.36
CC75AA	NOTE: ITEM #0080 THRU #0140 ARE PART OF ASM #0070.									0704	10						1.38
CC80Z	1	CHANNEL OT LK			716207					0704	10						1.40
CC90Z	1	CHANNEL OT HINGE			791391					0704	10						1.42
C100Z	1	CHANNEL OT VPR			716212					0704	10						1.44
C110Z	1	CHANNEL OT LOW			716211					0704	10						1.46
C120Z	1	REINF ROB RAIL			716209					0704	10						1.48
C130Z	1	REINF ROL RAIL			2480675					0704	10						1.50
C140Z	1	SUPT SASH LOWER			716210					0704	10						1.52

ZF06X0C

MODEL YEAR IS 78

ORIGIN DATE 770716

LAST CHG. DATE

LAST CHG. CODE

70 1C5A A 1

DR. V. P. C. GRP PAGE

MODEL APPLICATION
FRY DOOR & DOOR FRAME
UPC DESCRIPTION

REFERENCE

PRODUCT DESCRIPTION MANUAL

ASSEMBLY INFORMATION

OMT 1061 REV. 9/78



ITEM	S E Q	P M	PART OR TOOL DESCRIPTION	ADD'L DATA	QTY	PART NUMBER	ENGINE CODES	SERIES	BOY	ITEM RESTRICTION	DEPARTMENT#		CHANGE		LOGIC CODE	FUNCTION CODE	ADDITIONAL CODES	FNA	PCE NOS
											#1	2/STA	CD	AUTH					
15	AA		SEAL ENT UR			716228					0782	38			0000	38C055			1.54
16	AA		TAPL ACHES TRFLR			9985281					0782	38							1.56

M V S B	REFERENCE	ZE06X00	MODEL YEAR 1978
		MODEL APPLICATION FRY DOOR & DOOR FRAME	ORIGIN DATE 770716
		UPC DESCRIPTION	LAST CHG. DATE
			LAST CHG. CODE
			70 1C5A A 2
			OK U. P. C. SHP PAGE

PRODUCT DESCRIPTION MANUAL

ASSEMBLY INFORMATION

3MT 1001 REV. 9/78

ENGINE TRUCK & COACH

ITEM	QTY	PART OR TOOL DESCRIPTION	ADD'L DATA	QTY	PART NUMBER	ENGINE CODES	SERIES	BOY ARR	ITEM RESTRICTION	DEPARTMENTS			LOGIC CODE	FUNCTION CODE	ADDITIONAL CODES	FNA	QOS
										#1	2-STA	CD					
0001	1	DR G DR FRM		1	L6637					0782							1.0
0001	1	DR DLP & CHAM		1	L2994					0782							1.1
0001	1	SLIDE		1						0782							1.1
0001	1	LK CYL ASM ENTP		1	L6635					0782							1.1
0001	1	DR INSTL		1						0782							1.1
0001	1	LIR CHART		1	MD1029					0704							1.1
0019	1	LCK ASM SI DR		1	71619					0782	38		0000380066				1.2
0020	1	SPACER DR LK		1	71622					0782	38		0000380065				1.2
0030	1	KEY SI DR LK		1	972824					0782	38		0000380076				1.2
0040	1	SCREW DR LK		1	186985					0782	38						1.2
0050	2	WASHER DR LK		2	9421042					0782	38						1.3
0060	2	WASHER DR LK		2	103320					0782	38						1.3
0070	2	NUT DR LK		2	941794					0782	38						1.3
0080	2	SCREW DR LK		2	154941					0782	38						1.3
0090	4	SCREW LAY DR		4	180344					0782	38						1.3
0100	1	HINGE ASM LWR		1	689617					0704	10		0000100055				1.4
0105	1	NOTE: ITEM #0101 & 0102 ARE PART OF ASM #0100.		1						0704	10						1.4
0110	1	HINGE LEAF PTLAR		1	689656					0704	10						1.4
0120	1	HINGE LEAF DR		1	689618					0704	10						1.4
0130	1	PIN SI DR HINGE		1	330422					0704	10						1.4

7EN500

MODEL APPLICATION
FRY DCR OPERATING MECHANISM
UPC DESCRIPTIONMODEL YEAR 1978
ORIGIN DATE 770716
LAST CHG DATE
LAST CHG CODE
70 1C58 A 1
BK U. P. C. QMP PAGE

REFERENCE



PRODUCT DESCRIPTION MANUAL

ASSEMBLY INFORMATION

ITEM	QTY	PART OR TOOL DESCRIPTION	ADD'L DATA	PART NUMBER	ENGINE CODES	SERIES	BODY APP	ITEM RESTRICTION	DEPARTMENTS		CHANGE		LOGIC CODE	FUNCTION CODE	ADDITIONAL CODES	FNA	LINE NOS
									#1	2/STA	CD	AUTH					
014074		PUSHING PIN PIN		4150462					0704	10							1.5
015074		LUBRICANT		0985184					0704	10							1.5
016074		HINGE ASM UPD		68963					0704	10		0000	100060				1.5
016574		NOTE: ITEM #016 AND #0210 ARE PART OF ASM #0160.							0704	10							1.5
017074		HINGE LEAF PLATE		689449					0704	10							1.5
018074		HINGE LEAF DR		689632					0704	10							2.1
019074		PIN HINGE SI DR		330423					0704	10							2.3
020074		PUSHING PIN		4150462					0704	10							2.5
021074		LUBRICANT		0985184					0704	10							2.7
022074		COMMNET HGE LEAF		554032					0782	36							2.9
023074		SCREW SI ENTP		274844					0704	10							2.1
024074		SCREW DR HGE		274905					0704	10							2.1
025074		SEALER HGE		8435766					0704	22							2.1
026074		PNL SI ENTP LAY		202919					0782	36		0000	380073				2.1
027074		PAN PLS REINE		714539					0782	36		0000	380080				2.1
028074		IMPESIVE		937113					0782	36							2.2
029074		KNIB LAY PUSH		798750					0782	36		0000	380083				2.2
030074		COMMNET LAY		330484					0782	36							2.2
031074		WASHER DR LAY		229743					0782	36							2.2
032074		CLIP DR LAY		714502					0782	36		0000	380090				2.2
033074		NOY DR LAY		149425					0782	36							2.3
034074		GASKET SI DR		714527					0782	36		0000	380093				2.3

1																	
2																	
3																	
4																	

2103000

MODEL APPLICATION
FRONT DOOR OPERATING MECHANISM

UPC DESCRIPTION

MODEL YEAR IS 78
ORIGIN DATE 770716
LAST CHG. DATE
LAST CHG. CODE

70 1C58 A 2
DR. U. P. C. ORF. PAGE

PRODUCT DESCRIPTION MANUAL

ASSEMBLY INFORMATION

DMT 1001 REV. 8-78



ENGINE TRUCK & COACH

ITEM	QTY	PART OR TOOL DESCRIPTION	ADD'L DATA	QTY	PART NUMBER	ENGINE CODES	SERIES	REV	ITEM RESTRICTION	DEPARTMENTS		CHANGE CD	AUTH	LOGIC CODE	FUNCTION CODE	ADDITIONAL CODES	FNA	LINE NOS
										01	02 STA							
0350AA		COVER ASM STRAP			220008918					0784	65			0000	655005		M12440	2.35
0360AA		STRAP DR PULL		1	2029222					0784	62			0000	625045		M12455	2.31
0370AA		NUT		2	145487					0782	38						12462	2.39
0380AA		SCREW SUPT		5	9417269					0782	38						12500	2.41
0390AA		RIVNUT DR SUPT		4	2226070					0782	38						12600	2.43
0400AA		RIVNUT CHAN		1	2226070					0782	38	REPRC					12700	2.45
0410AA		WASHER PNL		5	140252					0782	38						12710	2.47
0420AA		SCREW MTG PNL		5	9420147					0782	38						12800	2.49
0430AA		WASHER ASM 1/5		4	271168					0782	38	REPRC					12900	2.51
0440AA		WASHER ASM 0/5		4	271168					0782	38	REPRC					13000	2.53
0450AA		DR LK		4	9985084					0784	62						19000	2.55
0500AA		STRAP DR CHK		1	3959858					0784	65			0000	655010		M13020	2.57
0510AA		BRKT CHK STRAP		1	3194767					0784	65			0000	655020		M13040	2.59
0520AA		PIN CHK STRAP		1	3194770					0784	65						13060	3.2
0530AA		SCREW BRKT		4	9418374					0784	65						13080	3.4
0550AA		BRKT CHK STRAP		1	2009730					0784	65			0000	655015		M13040	3.6

REVISIONS	REFERENCE	ZE05000	MODEL YEAR IS 78
		MODEL APPLICATION	ORIGIN DATE 770716
		FRY DOOR OPERATING MECHANISM	LAST CHG DATE 770929
	UPC DESCRIPTION		LAST CHG CODE REPRC
			70 1C58 A 3
			BK U. P. C. GRP PAGE

PRODUCT DESCRIPTION MANUAL

ASSEMBLY INFORMATION

GMT 1081 REV 8/78



GENE FRONCH & COMPANY

ITEM NO	PART OR TOOL DESCRIPTION	ADD'L DATA	QTY	PART NUMBER	ENGINE CODES	SERIES	BODY RM	ITEM RESTRICTION	DEPARTMENTS		CHANGE CO	AUTH	LOGIC CODE	FUNCTION CODE	ADDITIONAL CODES	LINE NOS
									#1	#2						
PA02L14	OR ST L/D			16776					0782							1.6
PA02L14	OR ST L/D			16776					0786							1.10
GC10AA	SEAT ASM DR		1	2014430			63-AN4		0782	48			3664480025	M		1.21
GC10AB	SEAT ASM DR		1	2014429			63AN4		0782	48			3665480025	M		1.22
GC10AC	SEAT ASM DR		1	2010337			81641		0786	80			3477805025	M		1.23
GC10AD	SEAT ASM DR		1	2027538			81685		0786	80			3461805025	M		1.24
GC10AE	SEAT ASM DR		1	2002263			81697		0786	80			3561805025	M		1.25
GC10AG	SEAT ASM DR		1	2002266			81698		0786	80			3484805025	M		1.26
CO20AA	PEDESTAL OR ST		1	2026712			63		0782	48			0000480030	M		1.28
CO20AB	PEDESTAL OR ST		1	2028527			81641-APU		0782	48			1302480030	M		1.29
CO20AC	PEDESTAL OR ST		1	2027536			81685		0782	48			6037480030	M		1.30
CO20AD	PEDESTAL OR ST		1	2028585			81697-APU		0782	48			1303480030	M		1.31
CO20AF	PEDESTAL OR ST		1	2028525			81698-APU		0782	48			1306480030	M		1.34
CO20AG	PEDESTAL OR ST		1	7903E1			81APU L 697		0782	48	56869	1311480030	M			1.35
CO20AH	PEDESTAL OR ST		1	2000648			81APU L 698		0782	48	56869	1312480030	M			1.36
CO20AJ	PEDESTAL OR ST		1	2010329			81APU L 641		0782	48	56869	1309480030	M			1.37
CO30AA	ELECT ST PEDESTAL		12	9419037					0782	48						1.37
CO40AA	WASHER		12	9418304					0782	48						1.39
CO50AA	WA LR		12	103320					0782	48						1.41
CO60AA	NUT		12	9417954					0782	48						1.43
CO70AA	TRACK ASM		1	799277					0786	80			0000805030	M		1.45
CO80AA	WASHER		2	2008786					0786	79						1.47
CO90AA	WASHER		4	2436162					0786	79						1.49
C100AA	NUT		4	9422295					0786	80						1.51

ZE06X00

MODEL YEAR 1978
 ORIGIN DATE 77C716
 LAST CHG DATE
 LAST CHG CODE

MODEL APPLICATION
 DRIVERS SEAT
 UPC DESCRIPTION

70 1C7A A 1
 BK V. P. C. GMP PAGE

REFERENCE

PRODUCT DESCRIPTION MANUAL

ASSEMBLY INFORMATION

GMT 1061 REV. 9/78

TRUCK & COACH

ITEM	QTY	PART OR TOOL DESCRIPTION	ADD'L DATA	QTY	PART NUMBER	ENGINE CODE	SERIES	REV	ITEM RESTRICTION	DEPARTMENTS		CHANGE AUTH	LOGIC CODE	FUNCTION CODE	ADDITIONAL CODES	FNA	LINE NO.
										#1	#2/STA						
AAD111	1	PASS ST L/O			L677					0782							1.8
AAD211	1	PASS ST L/O			L677					0786							1.1
001011	1	SEAT ASM PASS			2014430			R3-AN4		0782	48		3663	480035	W		1.1
001012	1	SEAT ASM PASS			2014429			R1AN4		0782	48		3664	480035	W		1.1
001013	1	SEAT ASM PASS			2010337			P641		0786	80		3477	805035	W		1.1
001014	1	SEAT ASM PASS			2028530			R685		0786	80		6037	805035	W		1.1
001015	1	SEAT ASM PASS			2002267			P697		0786	80		3461	805035	W		1.1
001016	1	SEAT ASM PASS			2002264			R1698		0786	80		3484	805035	W		1.2
002011	1	PEDESTAL DR ST			2028711			R3		0782	48		0000	480040	W		1.2
002012	1	PEDESTAL DR ST			2028524			R1641-APU		0782	48		1302	480040	W		1.2
002013	1	PEDESTAL DR ST			2028531			R685		0782	48		6037	480040	W		1.2
002014	1	PEDESTAL DR ST			2028584			R1697-APU		0782	48		1303	480040	W		1.2
002015	1	PEDESTAL DR ST			2028524			R1698-APU		0782	48		1304	480040	W		1.2
002016	1	PEDESTAL DR ST			750302			R1APU E 697		0782	48		1311	480040	W	0428	1.2
002017	1	PEDESTAL DR ST			2000647			R1APU E 698		0782	48		1312	480040	W	0428	1.2
002018	1	PEDESTAL DR ST			2710330			R1APU E 641		0782	48		1309	480040	W	0428	1.2
003011	1	BOLT ST PEDESTAL			9418037					0782	48						1.3
004011	1	WASHER			9418304					0782	48						1.3
005011	1	WALK			103320					0782	48						1.3
006011	1	NUT			9417984					0782	48						1.3
007011	1	TRACK ASM			799277					0786	80		0000	805040	W		1.3
008011	2	WASHER			2008786					0786	79						1.4
009011	4	WASHER			2436162					0786	79						1.4
010011	4	NUT			9422795					0786	80						1.4

27

PRODUCT DESIGN MANUAL

ASSEMBLY INFORMATION

QTY	PART OR TOOL DESCRIPTION	UNIT DATA	PART NUMBER	QTY PER ASSEMBLY	UNIT PRICE	TOTAL PRICE	QTY PER ASSEMBLY	UNIT PRICE	TOTAL PRICE	QTY PER ASSEMBLY	UNIT PRICE	TOTAL PRICE
1	BODY MFG INSTL		17712				0.152					
1	BODY MFG INSTL		1651				0.152					
1	WHEEL FRT BODY		69939				0.152					
1	PLATE ASM MFG F		76065				0.152					
1	WHEEL TRENCH WHEEL AND		24 ARE PART OF ASM #0020				0.152					
1	SOLE MFG MFG		100051				0.152					
1	SOLT PLATE		102050				0.152					
1	WHEEL MT TO FRM		9421042				0.152					
1	WHEEL MT TO FRM		103321				0.152					
1	WHEEL MT TO FRM		9421751				0.152					
1	WHEEL BODY FRT MT		9421012				0.152					
1	WHEEL FRT MT		243616				0.152					
1	WHEEL FRT MT		681190				0.152					
1	WHEEL FRT MT		9422509				0.152					
1	WHEEL BODY MT		700134				0.152			000025000		
1	WHEEL BRKT MT		9425082				0.152					
1	WHEEL BRKT MT		9422332				0.152					
1	WHEEL BRKT MT		391440				0.152			000025000		
1	WHEEL BRKT MT		243616				0.152					
1	WHEEL BRKT MT		9422301				0.152					
1	WHEEL CTR SECT		791304				0.152			000025000		
1	WHEEL CTR SECT		202347				0.152					

7106X00

MODEL APPLICATION
BODY MOUNTING
UPC DESCRIPTION

MODEL YEAR 1971
MFG DATE 11/71
ASSEMBLY DATE 11/71
ASSEMBLY CODE C1390
70 FULL A 1
OR U.P.C. OR PAGE

REFERENCE

PRODUCT DESCRIPTION MANUAL

ASSEMBLY INFORMATION

ITEM NUMBER	PART OR TOOL DESCRIPTION	QTY	PART NUMBER	ENGINE PARTS	ITEMS	ITEM DESCRIPTION	ITEM CODE	ITEM CODE	ITEM CODE	ITEM CODE	ITEM CODE	ITEM CODE
020001	SA CR CR SECT	1	103371				0154	10				
020002	NOE CR SECT	1	943770				0154	10				
020003	CUSHION BODY MT	4	700160				0154	10				
020004	MOUNT BODY RR	2	699899				0154	10				
020005	PLATE ASM RC MT	2	700859				0152	10				
020006	NOTES: ITEM 0020 AND 0060 ARE PART OF ASM 00260.											
020007	PLATE MTG	1	700858				0152	10				
020008	BOLT MTG PLT	4	109850				0154	10				
020009	SA PLT BOLT	8	9421042				0154	10				
020010	SA CR PCT SECT	4	103371				0154	10				
020011	NOE PCT SECT	1	943770				0154	10				
020012	BOLT BODY RR	2	9424308				0106	05				
020013	SA BODY RR	2	2436167				0106	05				
020014	SA BODY RR	4	001190				0119	05				
020015	NOE BOLT MT	2	9422305				0152	10				
020016	INSUL FRM TO FLR	20	2005279		05	-KNC	0154	10		3599E7006		
020017	INSUL FRM TO FLR	19	2005279		05	KNC	0154	10		3459E7006		
020018	INSUL FRM TO FLR	18	2005279		00		0154	10		0000E7006		
020019	SEAL BODY MT	1	0133056				0154	07				

2L06X00

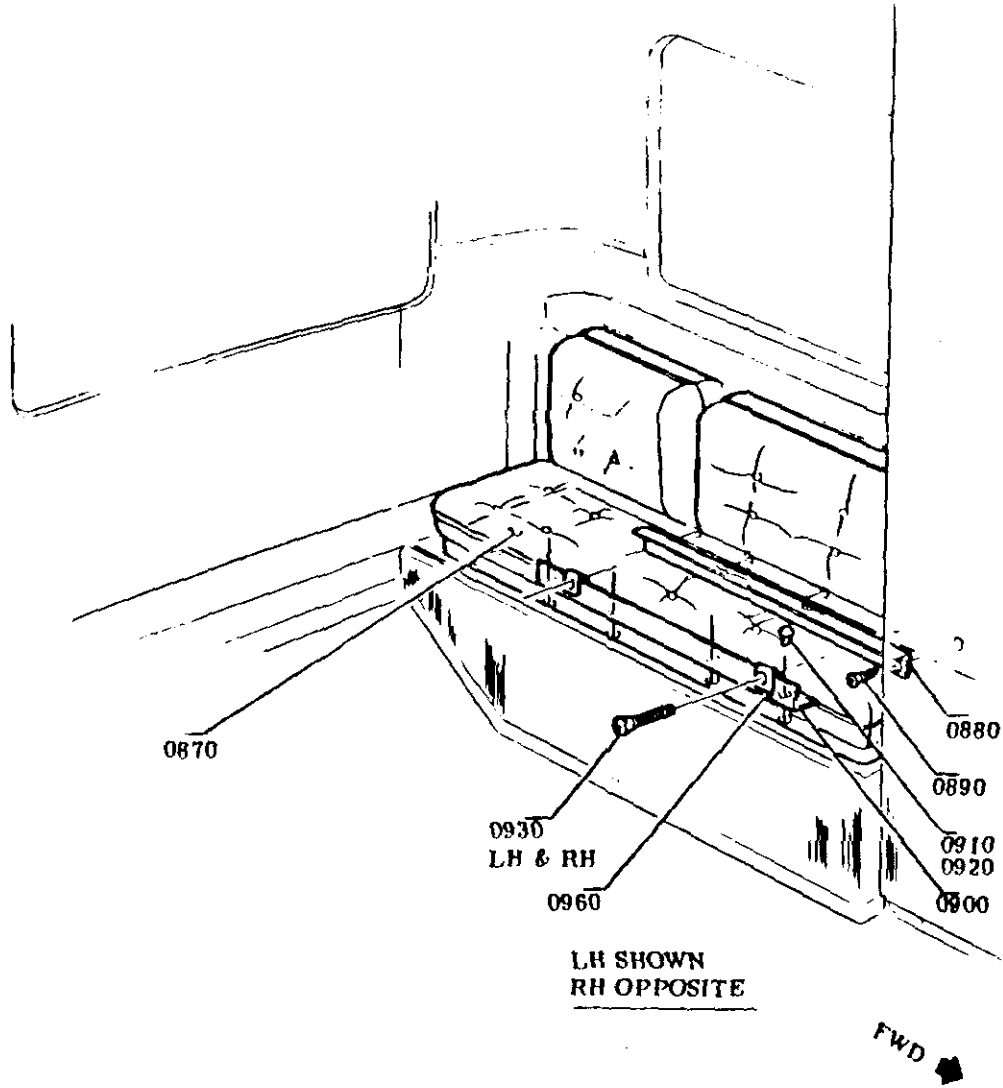
MODEL APPLICATION
BODY MOUNTING
UPC DESCRIPTION

MODEL YEAR 1971
ISSUE DATE 11/11/66
REVISED DATE 11/11/66
ISSUE CODE 41170
70 1011 1 2
REVISED DATE 11/11/66

REFERENCE

□ ITEM REFERENCE ◇ PROCESS MATERIAL △ TORQUE ▣ PART OF OR EXISTING

GMT 922 1/75



BY (NAME) (INSTALLATION) - CBS	NAME (INSPECTION) - CBS	DATE	SYM	REVISION	AUTH	DR	EN	DEPARTMENTS	TRUCK	BOOK
△		7-19-77		ORIGINAL RELEASE	72000	NS		r. Johnson	78 TRUCK	BOOK 70
△									TITLE SIDE FACING SETTEE LH	
△									NAME FURNITURE	DIVISION/UPC 1K1
△									SHEET 3	



PRODUCT DESCRIPTION MANUAL

ASSEMBLY INFORMATION

GMT 1061 REV 8/78

ENGINE TRUCK & CRACK

ITEM	S E Q	PART OR TOOL DESCRIPTION	ADD'L DATA	QTY	PART NUMBER	ENGINE CODES	SERIES	DOY	ITEM RESTRICTION	DEPARTMENTS		CHANGE		LOGIC CODE	FUNCTION CODE	ADDITIONAL CODES	PRI.	FILE NOS
										#1	2/STA	CD	AUTH					
AA00	01	RR T2 PNL G			MD1298					0786								1.8
AA00	02	CLISH INSTL								0786								1.9
AA02	01	ST FAC SETTER			L6669					0786								1.1
AA02	02	ST INSTL								0786								1.1
AA03	01	DAVO/RINK/ST			L6670					0786								1.1
AA03	02	INSTL								0786								1.1
AA04	01	LABEL LOCATION			L6653					0786								1.1
AA05	01	DINETTE ST/ST			L6671					0786								1.1
AA05	02	RELT G TABLE								0786								1.2
AA06	01	SWIV CHAIR/SY			L6607			APN		0786								1.2
AA06	02	RELT/TABLE								0786								1.2
AA07	01	SWIV CHAIR SY			L7713			APN		0786								1.2
AA07	02	LABEL								0786								1.2
AA08	01	SY RELT DRILL			MD1298			APN		0786								1.2
AA08	02	INSTL								0786								1.2
AA09	01	FLR AUX DRILL			MD1298			APN		0702								1.3
AA09	02	SWIV CHAIRS								0702								1.3
AA10	01	DR TABLE INSTL			L9627			FAP		0782								1.3
AA12	01	DR FAC DINETTE			L6638					0786								1.3
AA12	02	LABEL LOC								0786								1.3

1 2 3 4 5	2F063F1										MODEL YEAR IS 78	
											ORIGIN DATE 770716	
											LAST CHG. DATE	
											LAST CHG. CODE	
											70 IKI A 1	
F.M.V.S.S. REFERENCE										OR U. P. C. QWP PAGE		

PRODUCT DESCRIPTION MANUAL

ASSEMBLY INFORMATION

GMT 1081 REV 5/78



GM TRUCK & COACH

ITEM	QTY	PART OR TOOL DESCRIPTION	ADD L DATA	QTY	PART NUMBER	ENGINE CODES	SERIES	REV	ITEM RESTRICTION	DEPARTMENTS		CHANGE CD	AUTH	LOGIC CODE	FUNCTION CODE	ADDITIONAL CODES	LINE NOS	
										#1	#2/STA							
0010AA	1	SEAT DAYDLEBUNK		1	2028520				641-APN-APU	0786	79			1322795050	M	00400	1.39	
0010AB	1	SEAT DAYDLEBUNK		1	2028584				697-APN-APU	0786	79			1380795050	M	00400	1.40	
0010AC	1	SEAT DAYDLEBUNK		1	2028521				698-APN-APU	0786	79			1382795050	M	00400	1.41	
0010AD	1	SEAT DAYDLEBUNK		1	2027548				685	0786	79			6037795050	M	00400	1.42	
0010AE	1	SEAT DAYDLEBUNK		1	2010331				APUG641	0786	79			1309795050	M	00400	1.43	
0010AF	1	SEAT DAYDLEBUNK		1	2016066				APUG697	0786	79			1311795050	M	00400	1.44	
0010AG	1	SEAT DAYDLEBUNK		1	2016091				APUG698	0786	79			1312795050	M	00400	1.45	
0020AA	6	SCREW ANCHOR		6	9423753				-APN	0786	80						00425	1.47
0030AA	2	ERRT WALL MFG		2	200777R				-APN	0786	80			3436805045		M00405	1.49	
0040AA	4	SCR ERRT WALL		4	167264				-APN	0786	60						00420	1.51
0050AA	2	PIN HINGE/ERRT		2	141227				-APN	0786	80			3436805050		M00417	1.53	
0060AA	2	CAP PIN RETAIN		2	796103				-APN	0786	80			3436805055		M00418	1.55	
0070AA	2	HOOK DAYD BUNK		2	2016307				-APN	0704	10			3436100065		M00410	1.51	
0080AA	4	BOLT HOOK/KE		4	9419004				-APN	0704	10						00412	1.59
0090AA	4	WA HOOK BOLT		4	2436161				-APN	0704	10						00413	2.2
0100AA	4	NUT BOLT/FT#		4	9422273				-APN	0704	10						00414	2.4
0110AA	4	COVER HOOR		4	2016368				-APN	0786	76			3436765005		M00415	2.6	
0120AA	4	SCREW COVER		4	9422459				-APN	0786	76						00416	2.8
0140AA	4	BOLT BELT ANCHOR		4	9427615				-APN	0784	65						00721	2.10
0150AA	4	WASHER BOLT		4	2436165				-APN	0784	65						00722	2.14
0160AA	4	NUT BOLT/FT#		4	9422301				-APN	0784	65						00724	2.14
0200AA	2	SEAT SWIV CHAIR		2	2010351				APNL641	0786	80			3524805060	M	01900	2.16	
0200AB	2	SEAT SWIV CHAIR		2	799320				APNL697	0786	80			3525805060	M	01900	2.17	
0200AC	2	SEAT SWIV CHAIR		2	2000936				APNL698	0786	80			3526805060	M	01900	2.18	
0210AA	2	PEDESTAL CHAIR		2	2010348				APNL641	0782	48			3524480045	M	01925	2.20	
0210AB	2	PEDESTAL CHAIR		2	798720				APNL697	0782	48			3525480045	M	01925	2.21	
0210AC	2	PEDESTAL CHAIR		2	2000935				APNL698	0782	48			3526480045	M	01925	2.22	
0220AA	8	BOLT PEDESTAL		8	9426323				APN	0782	48						01950	2.24
0220AB	8	BOLT FT#		8					APN	0782	48							2.25
0230AA	8	WA LK BOLT		8	103324				APN	0782	48						01960	2.27

ZE06561

MODEL APPLICATION
FURNITURE
UPC DESCRIPTION

MODEL YEAR 1978
ORIGIN DATE 770716
LAST CHG DATE 770927

LAST CHG CODE URR
70 IKI A 2
BX V. P. C. GMP PAGE

F.M.V.S.S.

REFERENCE

PRODUCT DESCRIPTION MANUAL

ASSEMBLY INFORMATION

QMT 1001 REV. 8/78



ONE TRUCK & COACH

ITEM	QTY	ART OR TOOL DESCRIPTION	ADD'L DATA	QTY	PART NUMBER	ENGINE CODES	SERIES	BODY	ITEM RESTRICTION	DEPARTMENTS		CHANGE CD	AUTH	LOGIC CODE	FUNCTION CODE	ADDITIONAL CODES	FNA	REV
										#1	2/STA							
0240A	1	SPACER PFD BOLT		1	2000567					0782	48			3494	480050			2.2
0250A	1	BOLT CHAIR/PFD		1	9419010					0786	80							2.3
0254A	1	WA LK		1	103319					0786	80							2.3
0260A	1	PLATE ANCHOR		1	701804					0702	6			3494	060150			2.3
0270A	16	SCR CHAIR A/PLT		16	942115					0702	6							2.3
0280A	2	RELT SWIV CHAIR		2	2010350					0786	79			3524	795005			2.3
0280A	2	RELT SWIV CHAIR		2	7921P4					0786	79			3525	795005			2.4
0280A	2	RELT SWIV CHAIR		2	2000577					0786	79			3524	795005			2.4
0290A	2	RMPLY RPLY 5/PSR		2	720004					0786	79							2.4
0290A	2	35:25 FYW		2						0786	79							2.4
0300A	2	RMPLY RPLY/FLR		2	9417033					0786	79							2.4
0300A	2	35:24 FYW		2														2.4
0310A	4	WASHER		4	2436164					0786	79							2.4
0320A	2	SPACER		2	238752					0786	79			3494	795010			2.5
0330A	1	TABLE CAPTAINS		1	2001376					0786	85			3494	855030			2.5
0340A	4	SCR TABLE MTG		4	9414716					0786	85							2.5
0350A	1	LABEL ST FAC FWD		1	2001284					0786	85			3494	855035			2.5
0360A	1	LABEL ST FAC RB		1	2002026					0786	85			3494	855040			2.5
0400A	1	SEAT F/E DINEYY		1	2028514					0786	80			1314	805065			3.2
0400A	1	SEAT F/E DINEYY		1	2028580					0786	80			1311	805065			3.3
0400A	1	SEAT R/E DINEYY		1	2028514					0786	80			1314	805065			3.4
0400A	1	SEAT R/E DINEYY		1	2027544					0786	80			6037	805065			3.5
0400A	1	SEAT F/E DINEYY		1	790303					0786	80			1311	805065			3.6
0400A	1	SEAT R/E DINEYY		1	2000652					0786	80			1312	805065			3.7
0400A	1	SEAT R/E DINEYY		1	2010339					0786	80			1309	805065			3.8
0410A	1	SCREW SEAT ANC		1	9423753					0786	80			3487	805070			3.1
0420A	1	SEAT F/E DINEYY		1	2028514					0786	80			1314	805075			3.1
0420A	1	SEAT F/E DINEYY		1	2028580					0786	80			1311	805075			3.1
0420A	1	SEAT F/E DINEYY		1	2028514					0786	80			1311	805075			3.1
0420A	1	SEAT F/E DINEYY		1	2027544					0786	80			6037	805075			3.1
0420A	1	SEAT F/E DINEYY		1	2010339					0786	80			1309	805075			3.1
0420A	1	SEAT F/E DINEYY		1	790304					0786	80			1311	805075			3.1
0420A	1	SEAT F/E DINEYY		1	2000652					0786	80			1312	805075			3.1

<p>1 2 3 4 5 6 7 8 9 10 11 12 13 14 15 16 17 18 19 20 21 22 23 24 25 26 27 28 29 30 31 32 33 34 35 36 37 38 39 40 41 42 43 44 45 46 47 48 49 50 51 52 53 54 55 56 57 58 59 60 61 62 63 64 65 66 67 68 69 70 71 72 73 74 75 76 77 78 79 80 81 82 83 84 85 86 87 88 89 90 91 92 93 94 95 96 97 98 99 100</p>	<p style="text-align: center;">2006581</p> <p style="text-align: center;">MODEL APPLICATION FURNITURE UPC DESCRIPTION</p>	<p style="text-align: right;">MODEL YEAR IS 78 ORIGIN DATE 770716 LAST CHG. DATE LAST CHG. CODE 70 1K1 A 3 BK V. P. C. 01P PAGE</p>
--	---	---

PRODUCT DESCRIPTION MANUAL

ASSEMBLY INFORMATION

OM1 781 REV. 8/78



GENE TRUCK & CRACK

ITEM NO.	PART OR TOOL DESCRIPTION	ADD'L DATA	QTY	PART NUMBER	ENGINE CODES	SERIES	DOY BPN	ITEM RESTRICTION	DEPARTMENTS		CHANGE		LOGIC CODE	FUNCTION CODE	ADDITIONAL CODES	LINE NOS
									PT	2/STA	CD	AUTH				
0425AA	PANEL LINETTE		1	2010343					0784	65			3477655030			3.20
0425AB	PANEL LINETTE		1	790322					0784	65			3461655030			3.21
0425AC	PANEL LINETTE		1	2000653					0784	65			3464655030			3.22
0425AD	PANEL LINETTE		1	2027549					0784	65			6037655030			3.23
0430AA	SCREW SEAT ANG		12	9423753				-APP	0786	60			3487655080			3.24
0440AA	SEAT RP CAVO		1	2028518				APPL641-APU	0786	60			1319805085			3.27
0440AB	SEAT RP CAVO		1	2028582				APPL697-APU	0786	60			1320805085			3.28
0440AC	SEAT RP CAVO		1	2028519				APPL698-APU	0786	60			1321805085			3.29
0440AD	SEAT RP CAVO		1	2010344				APUGAPPL641	0786	60			1384805085			3.30
0440AE	SEAT RP CAVO		1	2016078				APPLAPUL697	0786	60			1390805085			3.31
0440AF	SEAT RP CAVO		1	2016087				APPLAPUL698	0786	60			1391805085			3.32
0450AA	SCR SEAT ANG		6	9423753				APP	0786	60						3.33
0460AA	BRKT WALL MTG		2	2007778				APP	0786	60			3451805090			3.34
0470AA	SCR ERRT WALL		4	167284				APP	0786	60						3.35
0480AA	FIN FINCC/BRKT		2	141227				APP	0786	60			3451805095			3.40
0490AA	LAP FJA RETAIN		4	798100				APP	0786	60			3451805100			3.42
0500AA	HDRK EXC BUNK		2	2016387				APP	0786	60			3451805105			3.44
0510AA	BELT RECP/RP		4	9419004				APP	0704	10						3.46
0520AA	RP FCOR BELT		4	2436161				APP	0704	10						3.48
0530AA	NET COISC INB		4	9422273				APP	0704	10						3.50
0540AA	COVER FLEK		2	2016388				APP	0786	76			3451765010			3.52
0550AA	SCREEN COVER		4	9422459				APP	0786	76						3.54
0560AA	TABLE LINETTE		1	2000918				641/697/698/685-APP	0758	10			6041105035			3.56
0570AA	CHANNEL TABLE		1	791914				641/697/698/685-APP	0784	65			6041655035			3.58
0580AA	SCREW CHANNEL		4	160090				-APP	0784	65						4.1
0590AA	WA LT. C-AL SCR		4	138479				-APP	0784	65						4.3
0600AA	BELT RP CAVO		2	2010359				APPL641	0784	65			3489655035			4.5
0600AB	BELT RP CAVO		2	790381				APPL697	0784	65			3490655035			4.6
0600AC	BELT RP CAVO		2	2000678				APPL698	0784	65			3493655035			4.7
0600AD	BELT RP CAVO		2	2027544				685	0784	65			6037655035			4.8

ZE06581

MODEL YEAR 1978
 ORIGIN DATE 770716
 LAST CHG. DATE
 LAST CHG. CODE

MODEL APPLICATION
 FURNITURE
 UPC DESCRIPTION

70 1K1 A 4
 BK. N. P. C. SHIP PAGE

PRODUCT DESCRIPTION MANUAL

ASSEMBLY INFORMATION

OMF 1981 REV. 9/78

GMC TRUCK & COACH

ITEM	PART OR TOOL DESCRIPTION	ADD'L DATA	QTY	PART NUMBER	ENGINE CODES	SERIES	DOY BRK	ITEM RESTRICTION	DEPARTMENTS		CHANGE CD	LOGIC CODE	FUNCTION CODE	ADDITIONAL CODES	LINE NO.
									#1	2/STA					
0010AA	BELT FIT FAC IN		1	2010351				641-APP	0786	80		3527805110	M	00660	4.10
0010AB	BELT FIT FAC IN		1	792183				697-APP	0786	80		3528805110	M	00660	4.11
0010AC	BELT FIT FAC IN		1	2000676				698-APP	0786	80		3529805110	M	00660	4.12
0010AD	BELT FIT FAC IN		1	2027542				685	0786	80		6037805110	M	00660	4.13
0010AE	BELT FIT FAC UTR		1	2010358				641-APP	0786	80		3527805115	M	00670	4.14
0010AF	BELT FIT FAC UTR		1	792184				697-APP	0786	80		3528805115	M	00670	4.15
0010AG	BELT FIT FAC UTR		1	2000677				698-APP	0786	80		3529805115	M	00670	4.16
0010AH	BELT FIT FAC UTR		1	2027541				685	0786	80		6037805115	M	00670	4.17
0010AA*	BOLT HEAD BOLT		3	9417033				-APP	0786	79				00710	4.20
0010AB*	BOLT HEAD BOLT		4	9427615				APP	0786	79				00710	4.21
0010AC*	BOLT HEAD BOLT								0786	79					00710
0010AA	WA WHEEL BOLT		3	2436165				-APP	0786	79				00714	4.24
0010AB	WA WHEEL BOLT		4	2436165				APP	0786	79				00714	4.25
0010AA	SPACE ANG BOLT		3	2387521				-APP	0786	79		3487795019		00714	4.26
0010AA	TRUCK BODY ST		2	791694					0786	76		0000765019		00850	4.28
0010AA	WJT BUSH PIN		4	9422301				APP	0786	65				00724	4.31
0010AA	PLUG BOLT HOLE		4	8861385				APP	0702	6				00680	4.33
0010AA	WHEEL PLUG		4	9981074				APP	0702	6				00685	4.34
0710AA	TABLE ARM BR		1	2030283				ENF	0758	100		3668105009	M	00900	4.37
0710AA	...		1	2029944				ENF	0758	100		3668105109	M	00900	4.38
0710AA	CAP LEG END		1	2029940				ENF	0784	64		3668645135	M	00904	4.41
0710AA	SCREEN CAP		1	161503				ENF	0784	64				00906	4.43
0010AA	PIN LAMP LH TR		1	2010334				641	0786	80		3477805120	M	00520	4.45
0010AB	PIN LAMP LH TR		1	792154				697	0786	80		3461805120	M	00520	4.46
0010AC	PIN LAMP LH TR		1	2000657				698	0786	80		3484805120	M	00520	4.47
0010AD	PIN LAMP LH TR		1	2027550				685	0786	80		6037805120	M	00520	4.48
0010AA	PIN LAMP RH TR		1	2010335				641	0786	80		3477805125	M	00525	4.50
0010AB	PIN LAMP RH TR		1	792153				697	0786	80		3461805125	M	00525	4.51
0010AC	PIN LAMP RH TR		1	2000658				698	0786	80		3484805125	M	00525	4.52
0010AD	PIN LAMP RH TR		1	2027551				685	0786	80		6037805125	M	00525	4.53
0010AA	PIN LAMP LH TR		1	2010333				641	0786	80		3477805130	M	00530	4.54
0010AB	PIN LAMP LH TR		1	792152				697	0786	80		3461805130	M	00530	4.55
0010AC	PIN LAMP LH TR		1	2000656				698	0786	80		3484805130	M	00530	4.56
0010AD	PIN LAMP LH TR		1	2027552				685	0786	80		6037805130	M	00530	4.57
0010AA	TRUCK BODY	16 IN	4	0861190					0786	84				00825	5.1

	2E0A58I	MODEL YEAR 197A ORIGIN DATE 770716 LAST CHG. DATE 770927 LAST CHG. CODE LRR
REFERENCE	MODEL APPLICATION FURNITURE UPC DESCRIPTION	70 IK1 A 5 BE V. P. C. OMF PAGE

PRODUCT DESCRIPTION MANUAL

ASSEMBLY INFORMATION

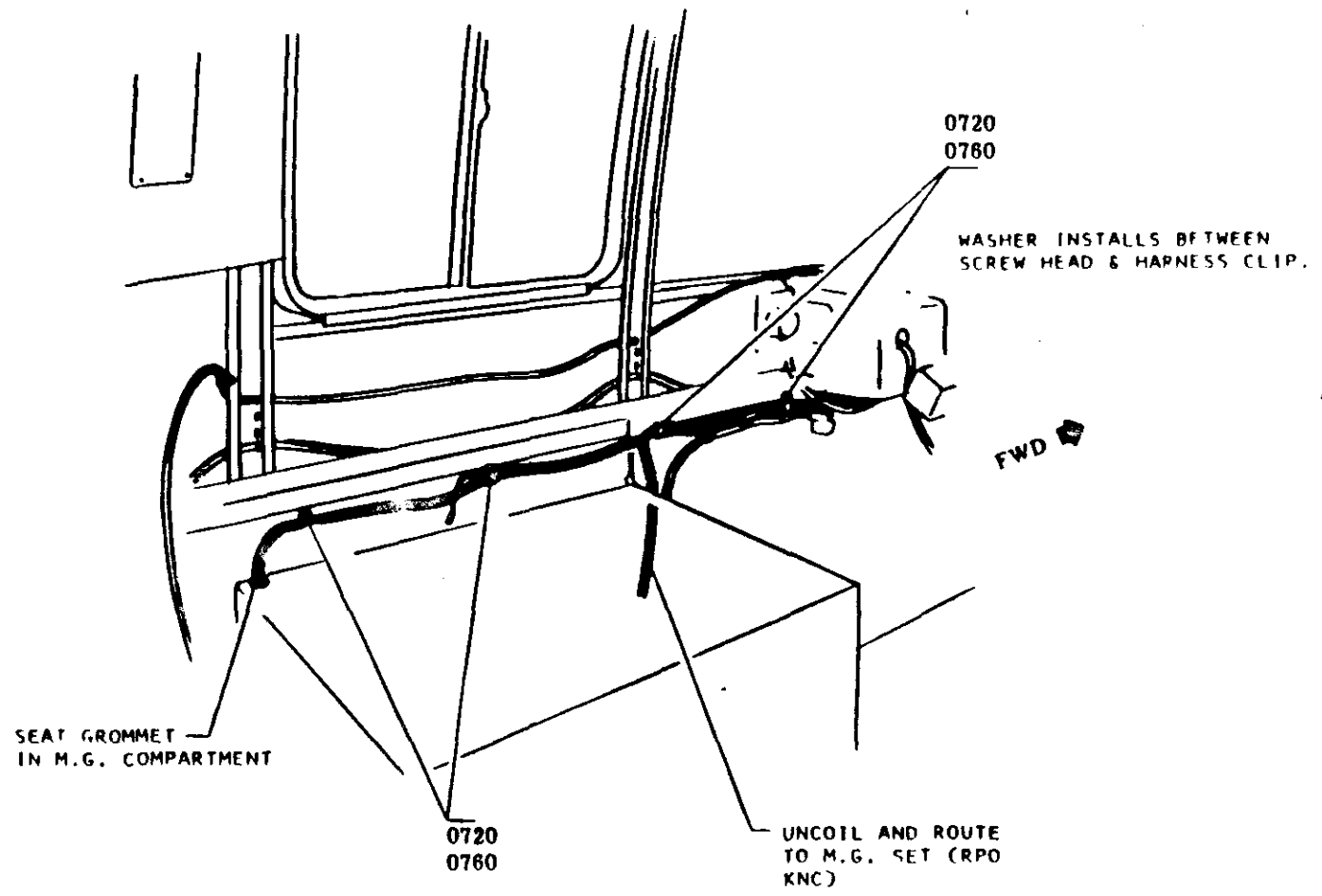
DMT 1061 REV. 8/78

GENE TRUCK & CRACK

ITEM	PART OR TOOL DESCRIPTION	ADD'L DATA	QTY	PART NUMBER	ENGINE CODES	SERIES	REV	ITEM RESTRICTION	DEPARTMENTS		CHANGE		LOGIC CODE	FUNCTION CODE	ADDITIONAL CODES	FNA	LINE NOS
									81	2/STA	CD	AUTH					
0R30	NL PR ST TP			2010332			641		0786	80			3477	805133			5.3
0R30A	PNL RR ST TP			790307			697		0786	80			3461	805133			5.4
0R30A1	PNL RP ST TP			2000655			698		0786	80			3484	805133			5.5
0R30A2	PNL RR ST TP			2027553			685		0786	80			6037	805133			5.6
0R40A	TAPE VELCRO			886142					0786	84							5.8
0R50A	STAPLE TAPE/YNK			663269					0786	84							5.1
0R60A	CUSHION RR TR			2010336			641		0786	80			3477	805140			5.1
0R60A8	CUSHION RR TR			792151			697		0786	80			3461	805140			5.1
0R60A9	CUSHION RR TR			2000659			698		0786	80			3484	805140			5.1
0R60A0	CUSHION RR TP			2027554			685		0786	80			6037	805140			5.1
0R70A	SEAT ST FAC SEY			2027574			641-APU		0786	80			1302	805145			5.1
0R70A1	SEAT ST FAC SEY			2028583			697-APU		0786	80			1303	805145			5.1
0R70A2	SEAT ST FAC SEY			2028522			698-APU		0786	80			1306	805145			5.1
0R70A3	SEAT ST FAC SEY			2027547			685		0786	80			6037	805145			5.2
0R70A4	SEAT ST FAC SEY			2010341			APU6641		0786	80			1309	805145			5.2
0R70A5	SEAT ST FAC SEY			790306			APU6697		0786	80			1311	805145			5.2
0R70A6	SEAT ST FAC SEY			2000654			APU6698		0786	80			1312	805145			5.2
0R80A	ANCHOR SEAT RR			791984					0786	80			0000	805150			5.2
0R90A	SCREW ANCHOR			9416837					0786	80							5.2
0R90A1	ANCHOR SEAT FRV			791988					0786	80			0000	805155			5.2
0R90A2	RIVET ANCHOR			700360					0786	80							5.3
0R90A3	SCREW ANCHOR			9414724					0786	80							5.3
0R90A4	SCREW ANCHOR			156495					0786	80							5.3
0R90A5	SCREW ANCHOR			160736					0786	80							5.3
0R90A6	WA ANCHOR FC			138485					0786	80							5.3
0R90A7	U UNIT			1494253					0786	80							5.4
1000A	TABLE RR DINING			2001350			ENK		0750	10			3452	105010			5.4
1000A1	LEG TABLE			796795			ENK		0750	10			3452	105015			5.4
1020A	CAP LEG END			715470			ENK		0786	78			3452	785015			5.4
1030A	SCRAUX FLW			161503			ENK		0786	78							5.4

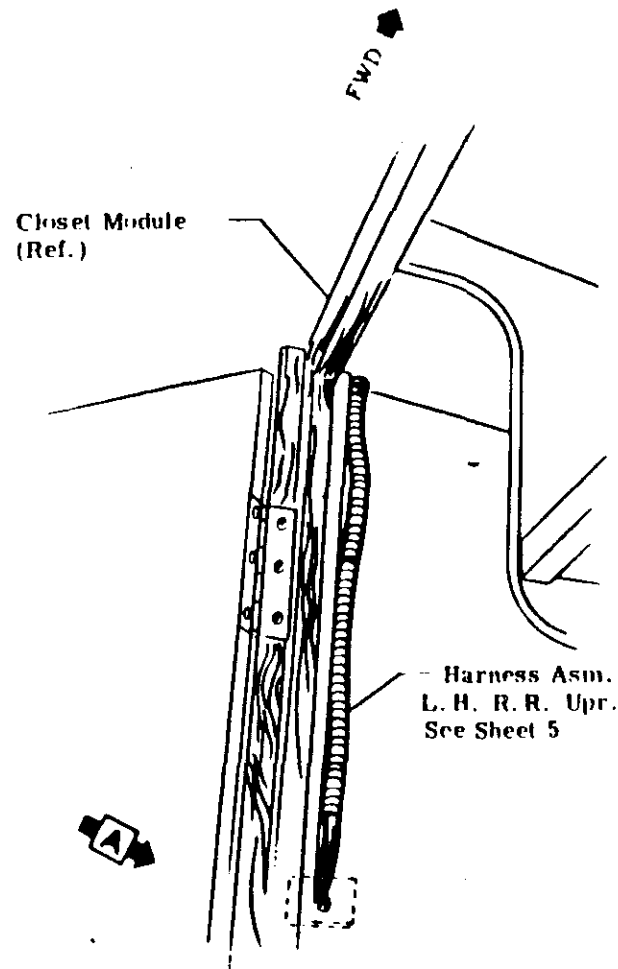
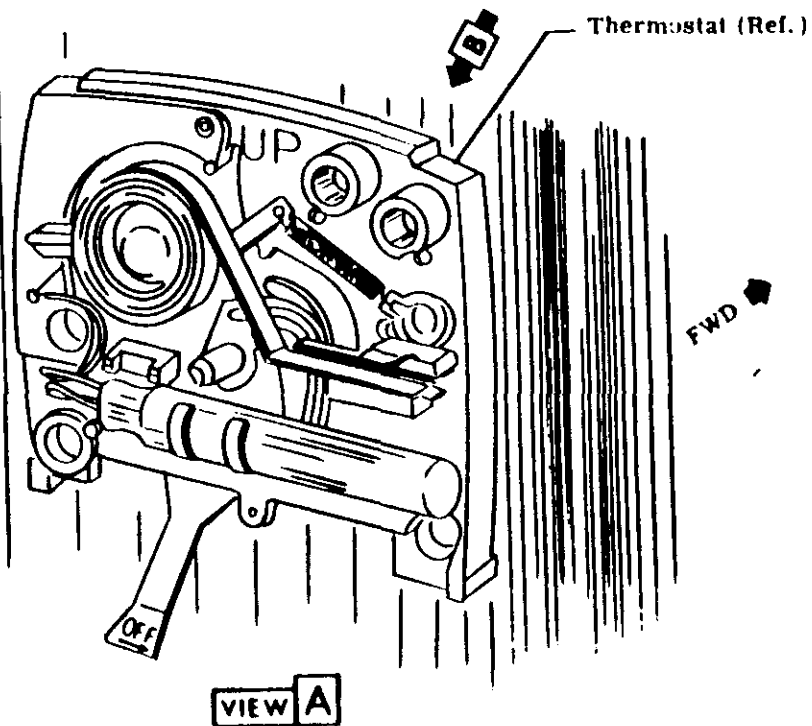
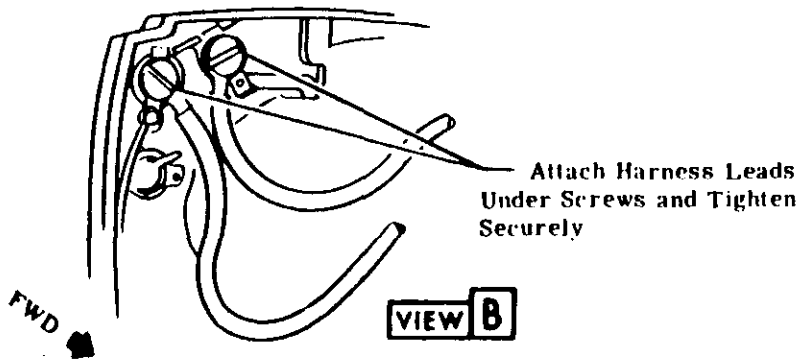
	7F06441	
MODEL APPLICATION FURNITURE UPC DESCRIPTION	MODEL YEAR: 78 ORIGIN DATE: 770716 LAST CHG DATE: LAST CHG CODE:	70 141 A -6 ON U P C OR PAGE

GMT 922 1-73



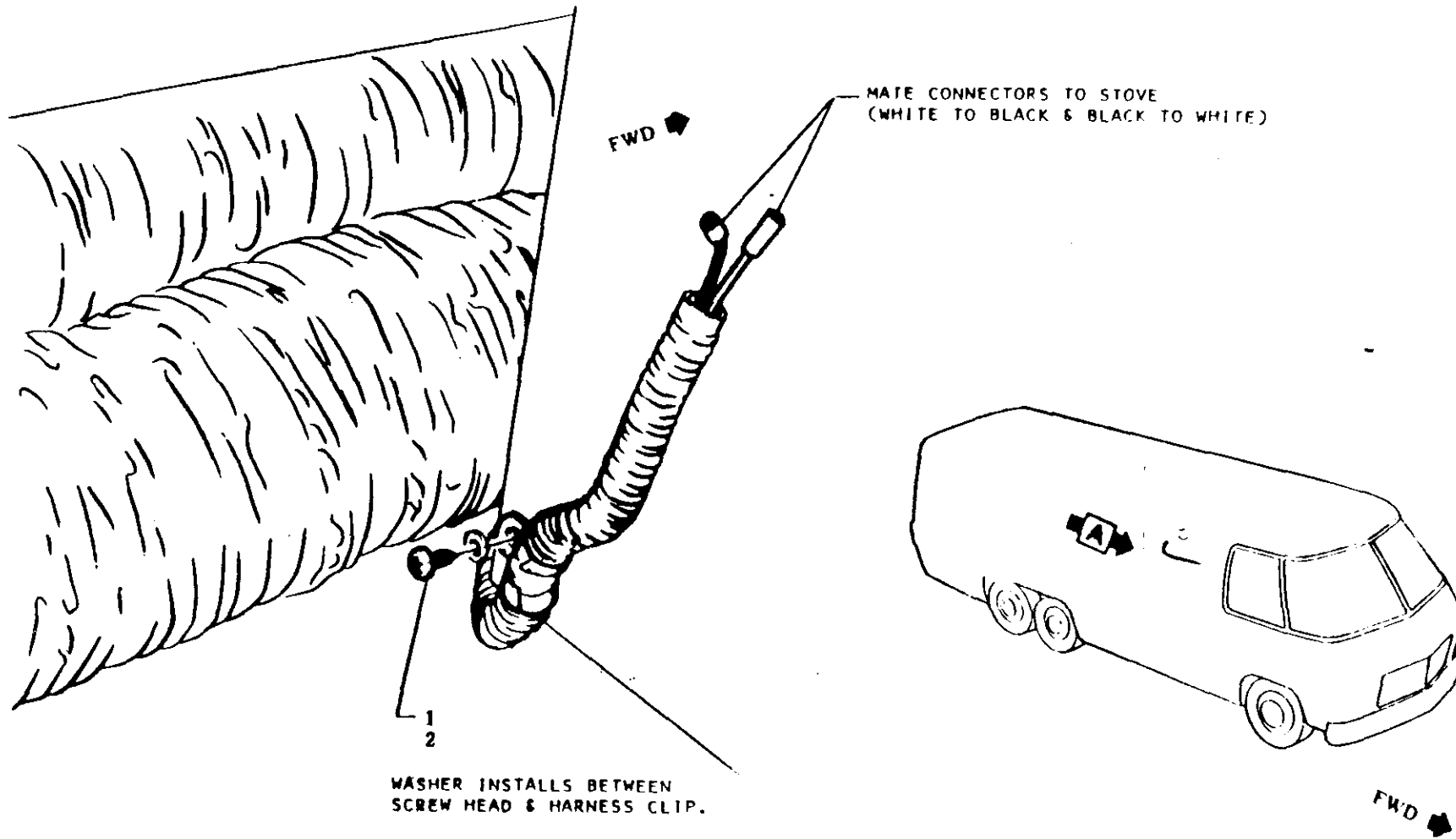
SYMBOL (Instruction) - LBS	DATE	SYM	REVISION	AUTH	DR	CR	DEPARTMENTS	TITLE	BOOK
▲	2/77		ORIGINAL RELEASE	7700	7700		TR. WILSON	'78 TRUCK	BOOK 70
▲								HARNES ASM.-L.H. REAR LOWER - 12V	
▲								ZE06581	
▲								NAME ELEC. CONV. ITEMS	
▲								DIVISION	
▲								1K3	
▲								SHEET	6

GMT 922 1/75



DYNAMIC (Installation) - LBS	HAZARD (Inspection) - LBS	DATE	SYM	REVISION	AUTH	DR	LR	DEPARTMENTS	TRUCK	BOOK	
△		2-2-77		ORIGINAL RELEASE	4/10/77			TRUCK	78	70	
△											
△											
△											
△											
△											
									TITLE		
									HARNES ASM. - THERMOSTAT - 12V		
									NAME ELEC.	DIVISION/UPC	SHEET
									CONV. ITEMS	1K3	9

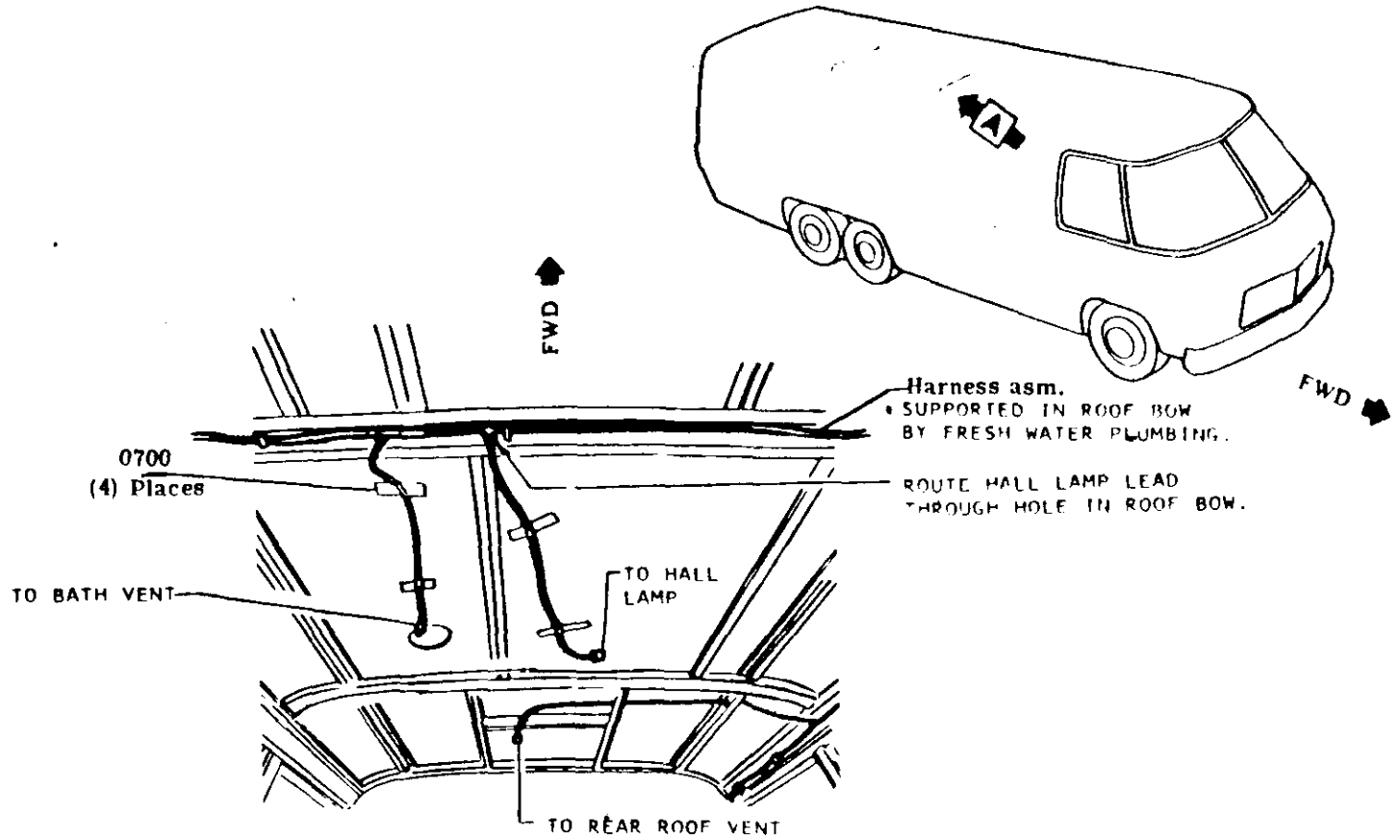
GMT 922 1-73



VIEW A

DYNAMIC (Installation) - LBS	HAZARD (Inspection) - LBS	DATE	SYM	REVISION	AUTH	DR	CR	DEPARTMENTS	TITLE	BOOK	
▲		6-4-77		ORIGINAL RELEASE	47000	STP		THOMAS	'78 TRUCK	BOOK 70	
▲									HARNESS ASM. - STOVE - 12V		
▲									ZEO6581		
▲									NAME ELEC. CONV. ITEMS	DIVISION 1K3	SHEET 10

GMT 922 1-73



VIEW A

DYNAMIC (Installation) - LBS	HAND (Inspection) - LBS	DATE	SYM	REVISION	AUTH	DR	CHK	DEPARTMENTS	TRUCK	BOOK
▲		6-11-77		ORIGINAL RELEASE	W.D.M.	S.M.H.		Elect. Sch.	78	70
▲										
▲										
▲										
▲										

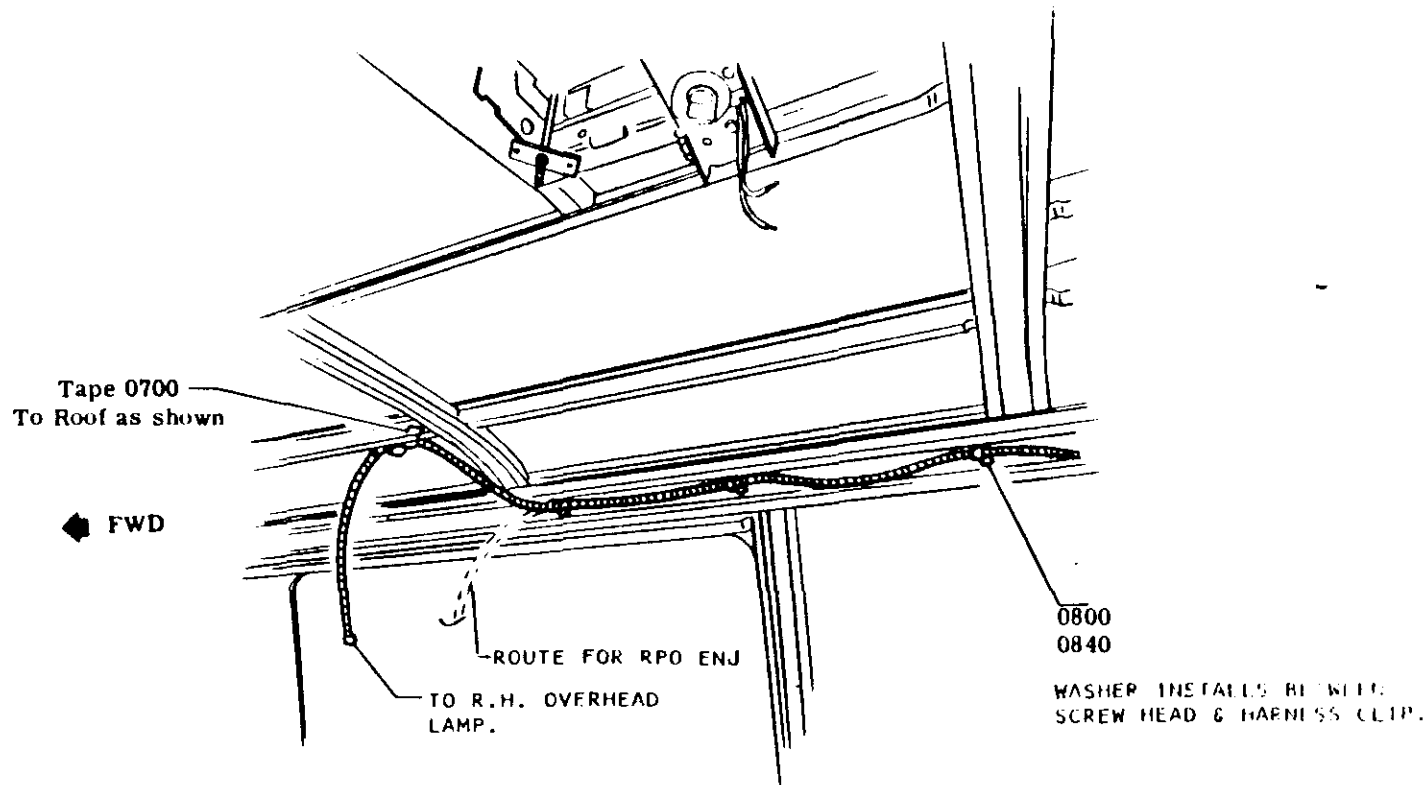
78 TRUCK **BOOK 70**

TITLE
HARNES ASM. - ROOF CENTER - 12V
ZE06581

NAME ELEC. CONV. ITEMS DIVISION **K3** SHEET **12**



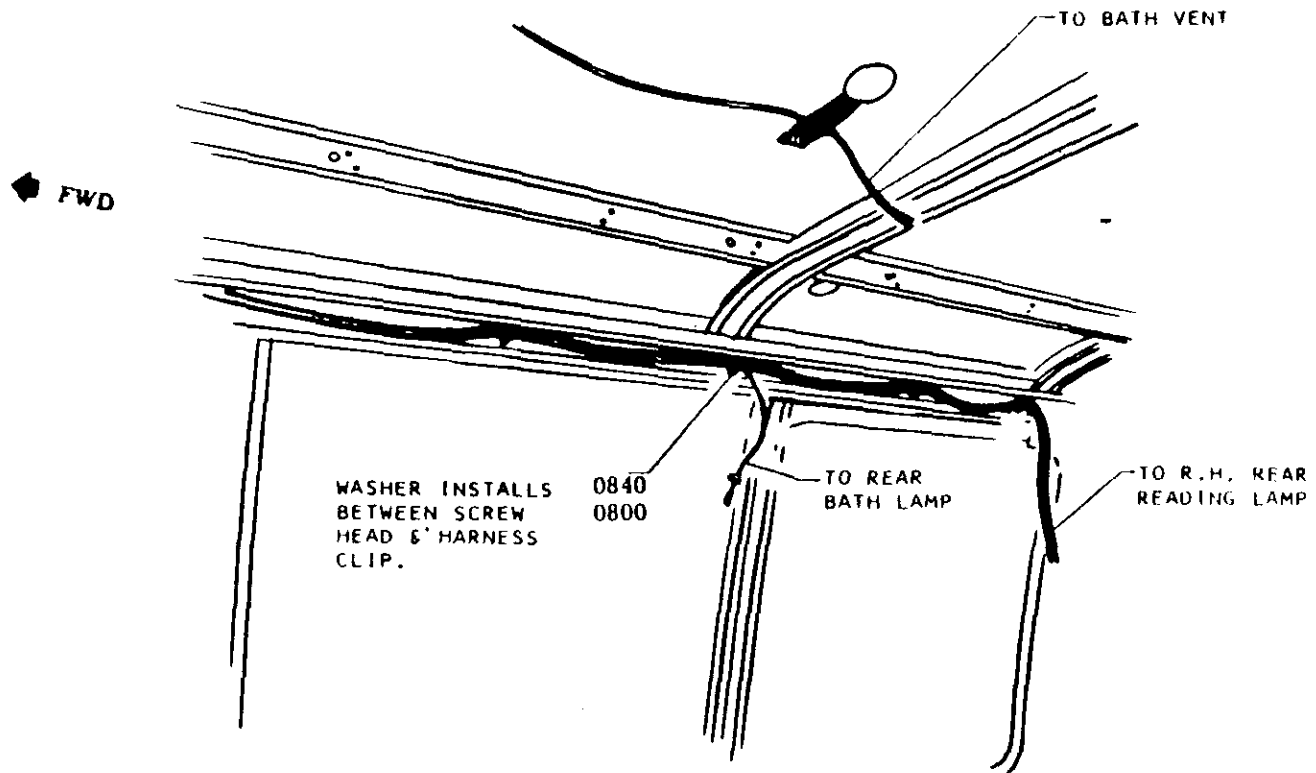
GMT 922 1-73



DYNAMIC (Installation) - LBS	MANU (Inspection) - LBS	DATE	SYM	REVISION	AUTH	DR	CR	DEPARTMENTS	TITLE
		11 77		ORIGINAL RELEASE	4700	STP		Transmission	'78 TRUCK BOOK 70
									HARNESS ASM. - R. H. FRONT UPPER ZE06581
									NAME ELEC. CONV. ITEMS
									DIVISION 1K3 SHEET 13

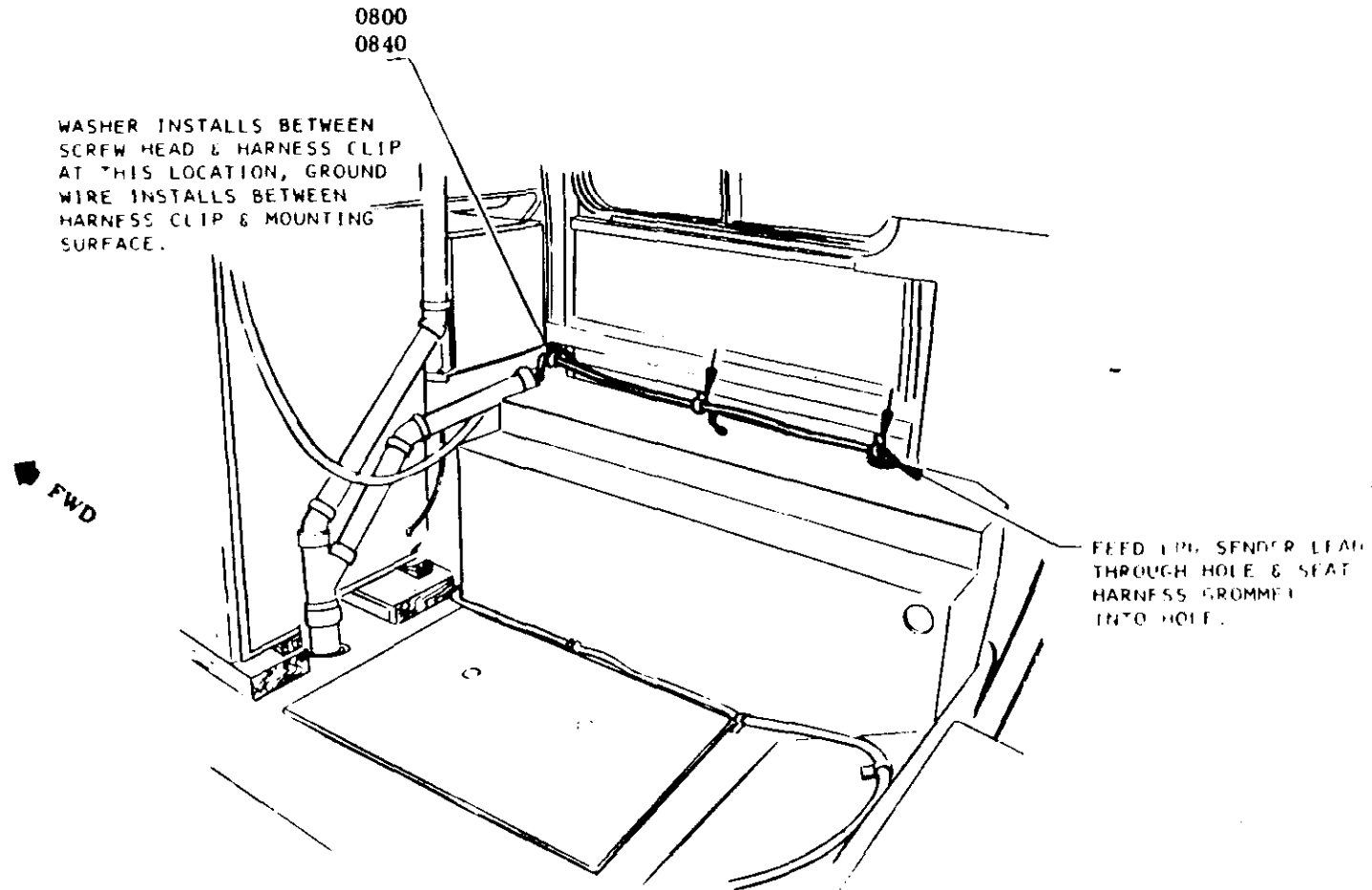


GMT 922 1-73



DYNAMIC (Inspection) - LBS	STATIC (Inspection) - LBS	DATE	SYM	REVISION	AUTH	CHK	CR	DEPARTMENTS	TITLE	DIVISION	SHEET
		6/2/77		ORIGINAL RELEASE	W. Z. ...			THOMPSON	70 TRUCK	BOOK 70	
									HARNESS ASM. - R.H. REAR UPPER - 12V		
									ZE06581		
									NAME ELEC. CONV. ITEMS	1K3	16

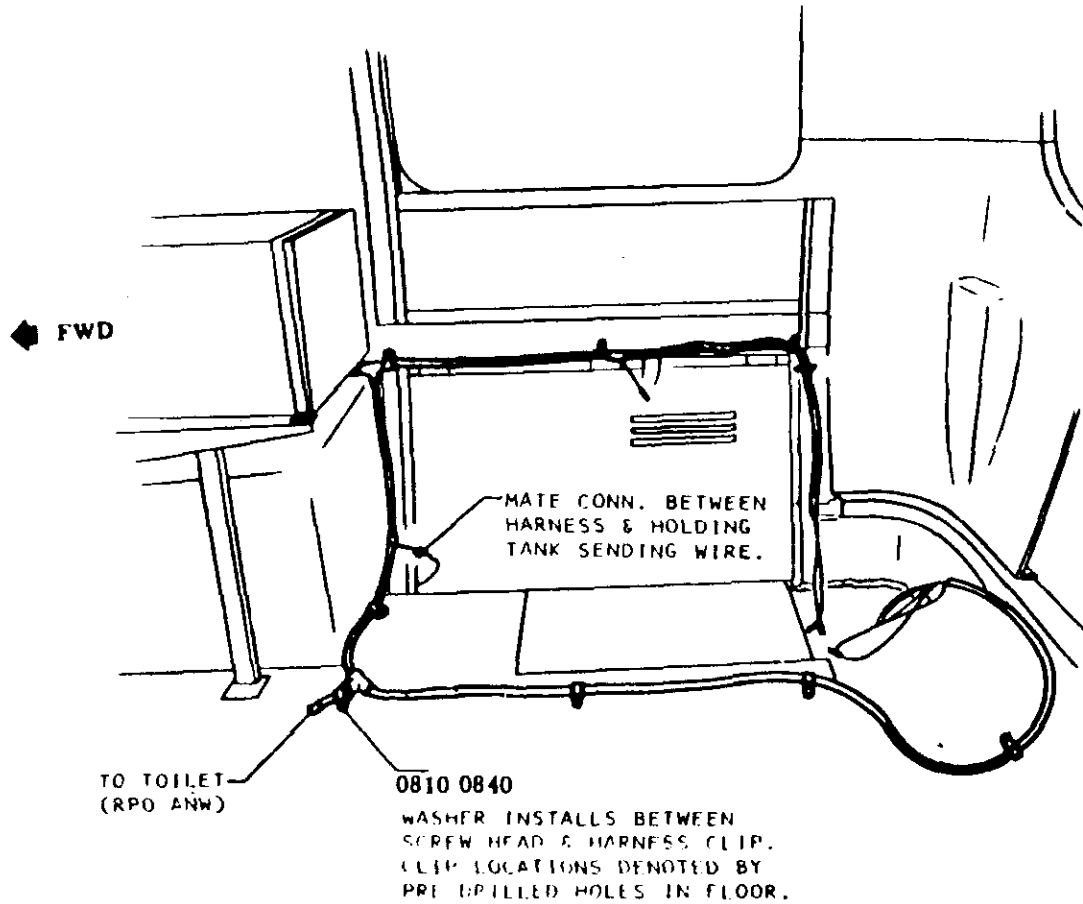
GMT 922 1-73



DYNAMIC Installation - LBS	HAND (Inspection) - LBS	DATE	SYM	REVISION	AUTH	OR	EN	DEPARTMENTS	78 TRUCK	BOOK 70	
<input type="checkbox"/> <input type="checkbox"/> <input type="checkbox"/> <input type="checkbox"/> <input type="checkbox"/> <input type="checkbox"/>		6/21/73		ORIGINAL RELEASE	47000			THOMSON			
									TITLE HARNESS ASM.-R.H. REAR LOWER-12V ZE06581		
									NAME ELEC. CONV. ITEMS	DIVISION 1K3	SHEET 17



GMT 922 1-73



HYDRA-BIKE (Installation) - LBS	HAND (Inspection) - LBS	DATE	SYM	REVISION	AUTH	DR	CK	DEPARTMENTS
		6-4-77		ORIGINAL RELEASED	Y0002	JL		THOMPSON

78 TRUCK

BOOK **70**

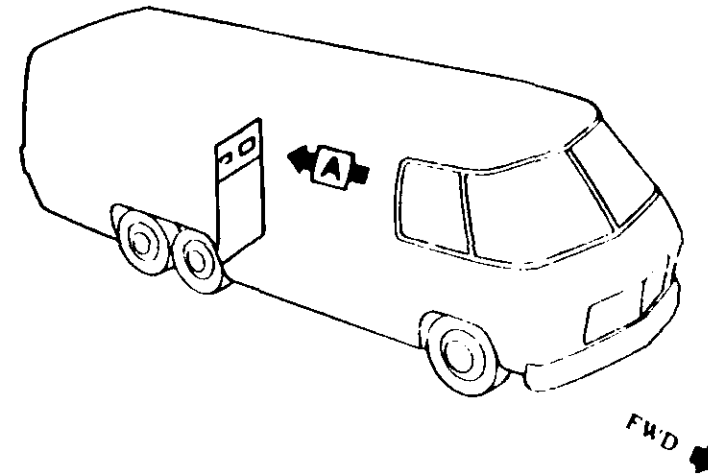
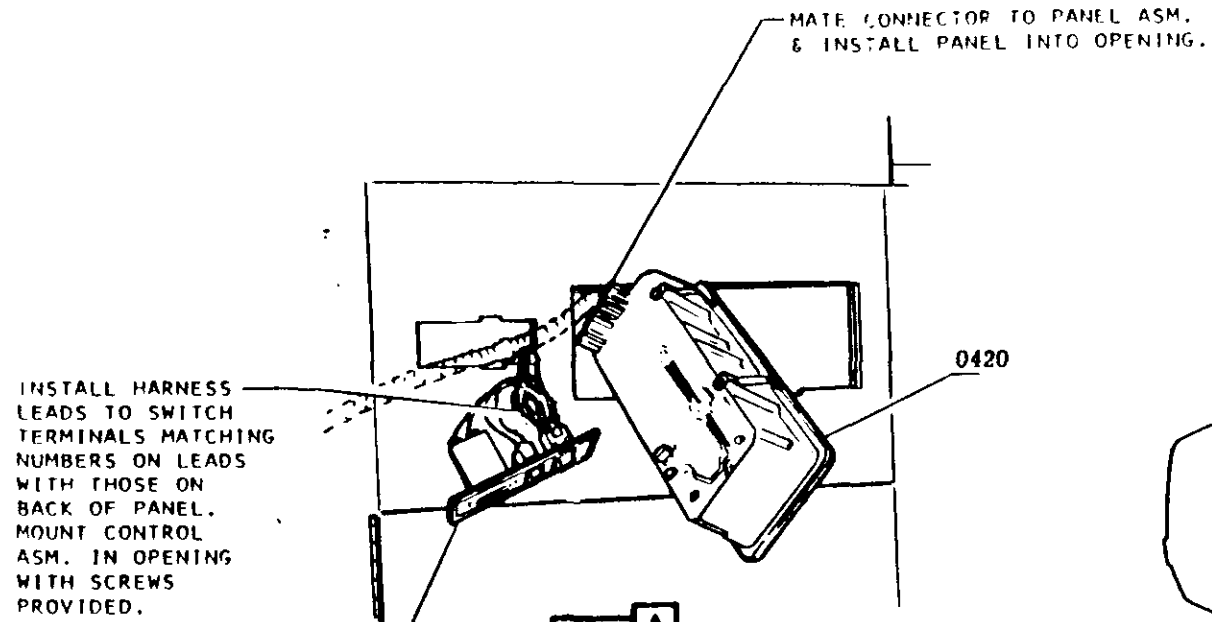
TITLE

HARNESS ASM.-WATER PUMP BREAK OUT
12V ZE06581

NAME	ELEC. CONV. ITEMS	DIVISION	SHEET
		1K3	18



GMT 922 1-73

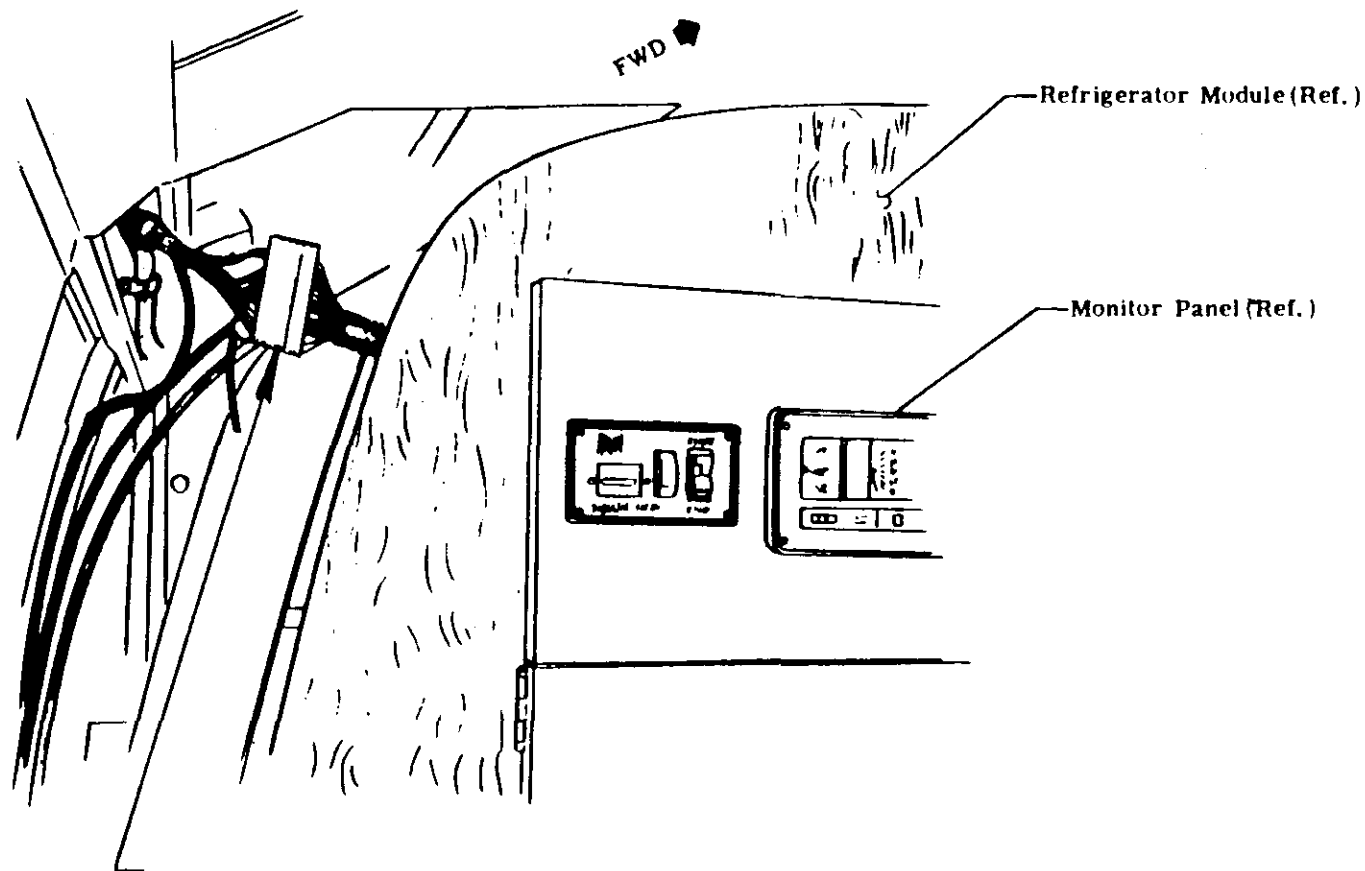


1440 **NOTE** Deluxe remote control asm. screw. (4) req'd. (Supplied) by vendor. (For RPO KNB/KNC)

DYNAMIC (Installation) - LBS	HAND (Inspection) - LBS	DATE	SYM	REVISION	AUTN	DR	CR	DEPARTMENTS	TITLE
		6/1/77		ORIGINAL RELEASE	4200	5/1/77		HAMPSON	'78 TRUCK
									BOOK 70
									HARNESS ASM.-MONITOR PANEL-12V
									ZEO6581
									NAME ELEC. CONV. ITEMS
									DIVISION K3
									SHEET 21



GMT 922 1-73

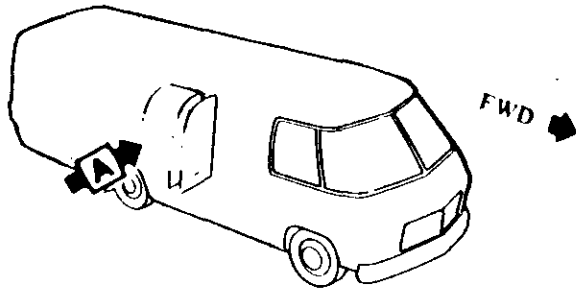


NOTE

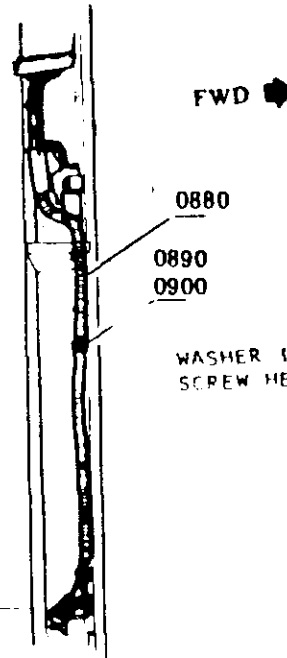
Connector Harness Asm.
Excess Harness to be in
Cavity in Refrigerator
Module as Module is
Placed in Position

DYNAMIC (Installation) - LBS	HAND (Inspection) - LBS	DATE	SYM	REVISION	AUTH	DR	CR	DEPARTMENTS	70 TRUCK	BOOK 70
	△ △ △ △ △	6/2/77		ORIGINAL RELEASE	THOMPSON				TITLE HARNES ASM. - REFRIGERATOR MODULE - 12V -- ZE06581	
									NAME	SHEET
									ELEC. CONV. ITEMS	K3 22

GMT 922 1-73



FWD



FWD

0880

0890
0900

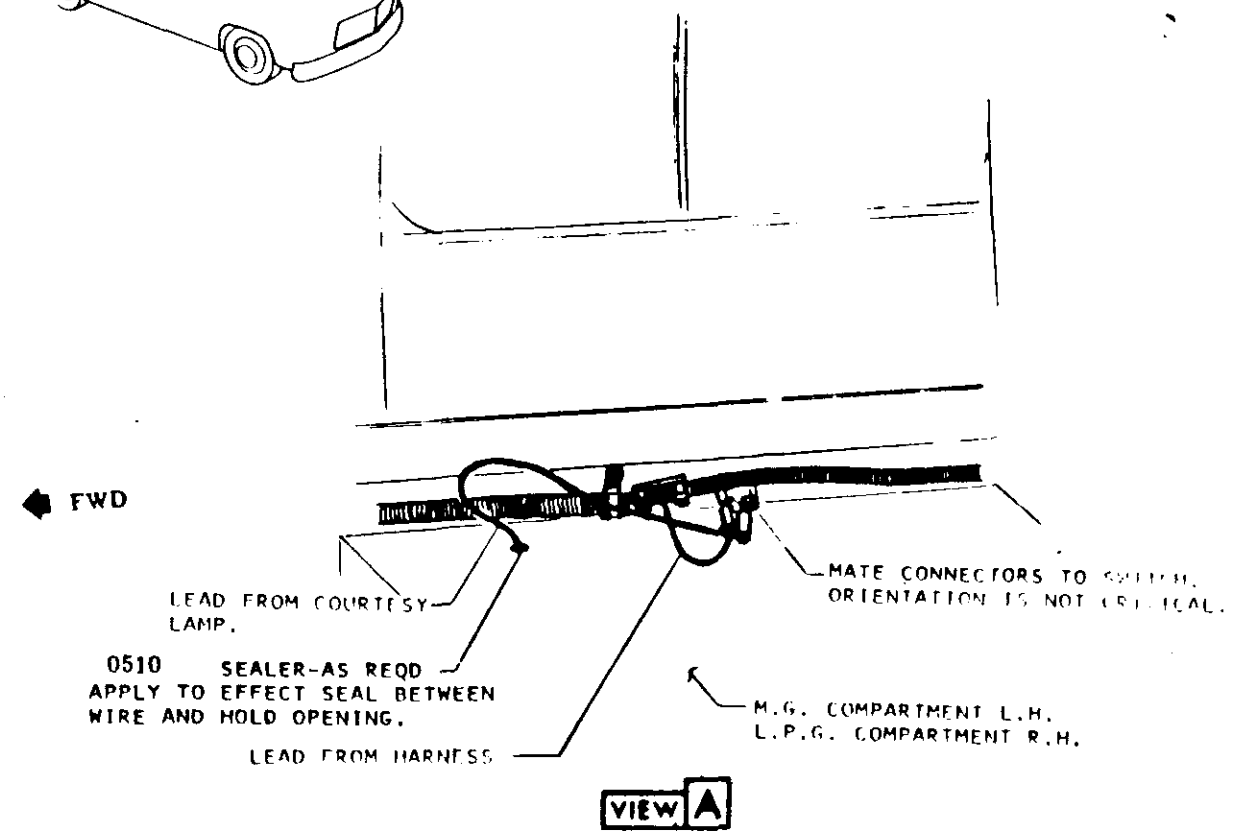
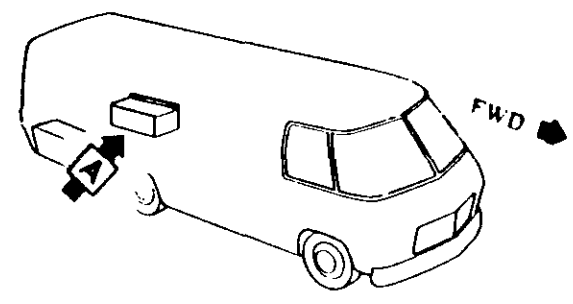
WASHER INSTALLS BETWEEN
SCREW HEAD & HARNESS CLIP.

REFRIGERATOR
MODULE
(AS VIEWED FROM
OUTSIDE OF VEHICLE)

VIEW A

DYNAMIC (Installation) - []	PART (Inspection) - []	DATE	SYM	REVISION	AUTH	DR	CR	DEPARTMENTS	73 TRUCK	BOOK 70
<input type="checkbox"/>	<input type="checkbox"/>	6-27-77		ORIGINAL RELEASE	STW	STW		MECHANICAL	TITLE	
<input type="checkbox"/>	<input type="checkbox"/>								HARNES ASM. - REFRIGERATOR	
<input type="checkbox"/>	<input type="checkbox"/>								MODULE - 12V - ZE06581	
<input type="checkbox"/>	<input type="checkbox"/>								NAME ELEC. CONV. ITEMS	SHEET
<input type="checkbox"/>	<input type="checkbox"/>								1K3	23

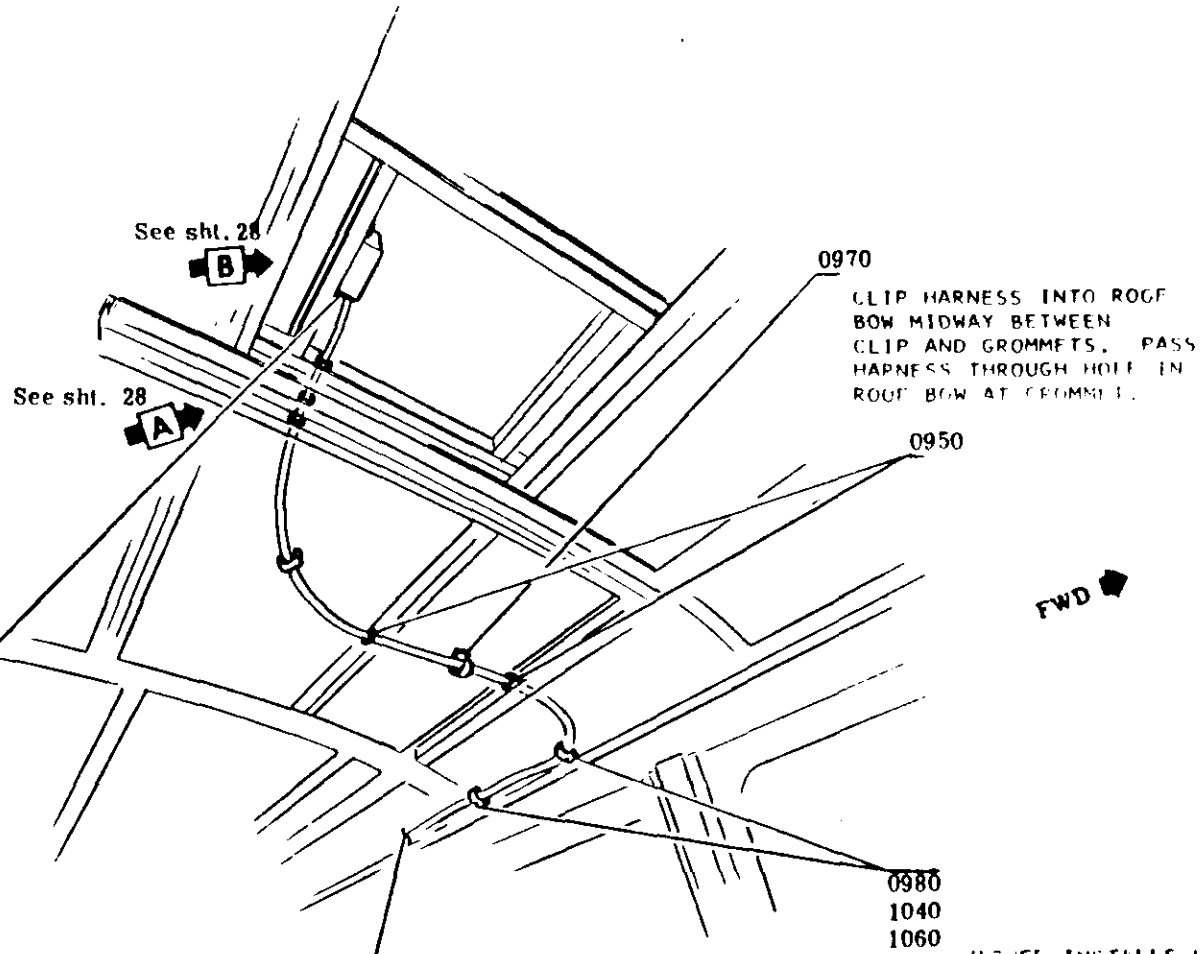
GMT 922 1-73



VIEW A

DYNAMIC (Installation)-LBS	WIND (Inspection)-LBS	DATE	SYM	REVISION	AUTH	DR	CR	DEPARTMENTS	TITLE	BOOK
▲		6/2/77		ORIGINAL RELEASE	H7000	ST	JK	THOMPSON	'78 TRUCK	BOOK 70
▲									HARNES ASM. - COURTESY LAMP SWITCH	
▲									12V - ZE06581	
▲									EL.EC. DIVISION	1K3
▲									CONV. SHEET	24
▲									ITEMS	

GMT 922 1/75



NOTE

INSTALL JUNCTION BOX TO ROOF STRINGER. REMOVE ONE KNOCKOUT PLUG ADJACENT TO CABLE CLAMP. FEED HARNESS THROUGH CLAMP UNTIL APPROX. .50" JACKET INSULATION IS VISIBLE INSIDE BOX. FORM LOOP IN END OF GROUND WIRE AND ATTACH TO BOX. FORM WIRES INTO BOX AND INSTALL COVER.

NOTE

HARNESS ASM. ROUTE AROUND VENT PIPE AS SHOWN.

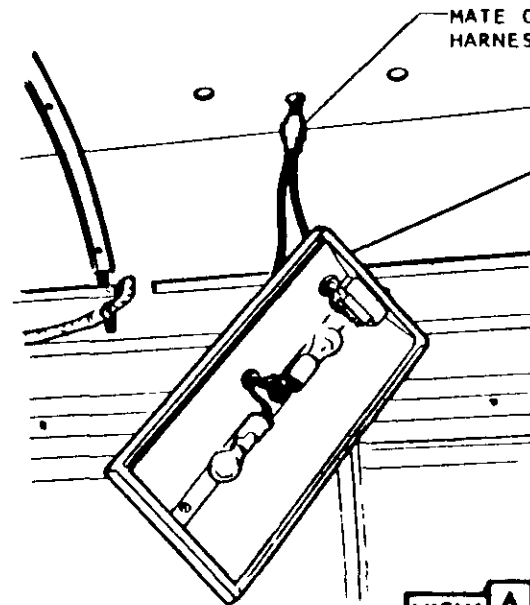
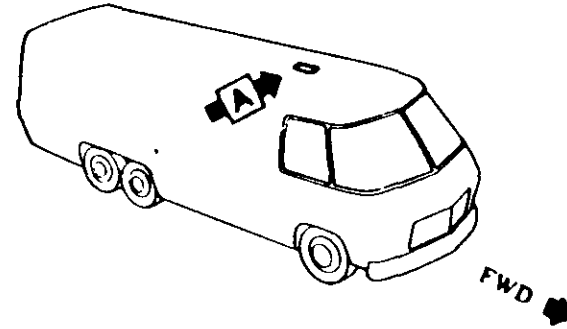
INCL. INSTALLS SET OF SCREW HEAD AND CLIP CLIP TO BE POSITIONED SUCH THAT HARNESS LAYS IN CEILING AND ROOF BOW CAVITIES. CLIP LOCATIONS IDENTIFIED BY RED TAPE ON HARNESS.

BY (Instruction) - LPS	MADE (Inspection) - LPS	DATE	SYM	REVISION	AUTH	DR	CR	DEPARTMENTS	TRUCK	BOOK
△		6/21/77		ORIGINAL RELEASE	42000	STP			178	70
△										
△										
△										
△										
△										
									TITLE	
									HARNESS ASM. - FRONT A C (PRE-WIRE) Z.F.06581	
									MAKE	
									ELEC. CONV. ITEMS	
									DIVISION/UPC	
									1K3	
									SHEET	
									27	



ITEM REFERENCE PROCESS MATERIAL TORQUE PART OF OR EXISTING

GMT 922 1-73



0440
0460
0450

Install Springnut to longitudinal Stringer. Feed wire through hole in headliner as lamp is raised into position, such that wire is not pinched between lamp & headliner. Attach lamp with switch toward rear of vehicle for LH side overhead lamp, - toward front of vehicle for RH side overhead lamp, and toward LH side of vehicle for hall lamp. -- Replace lenses.

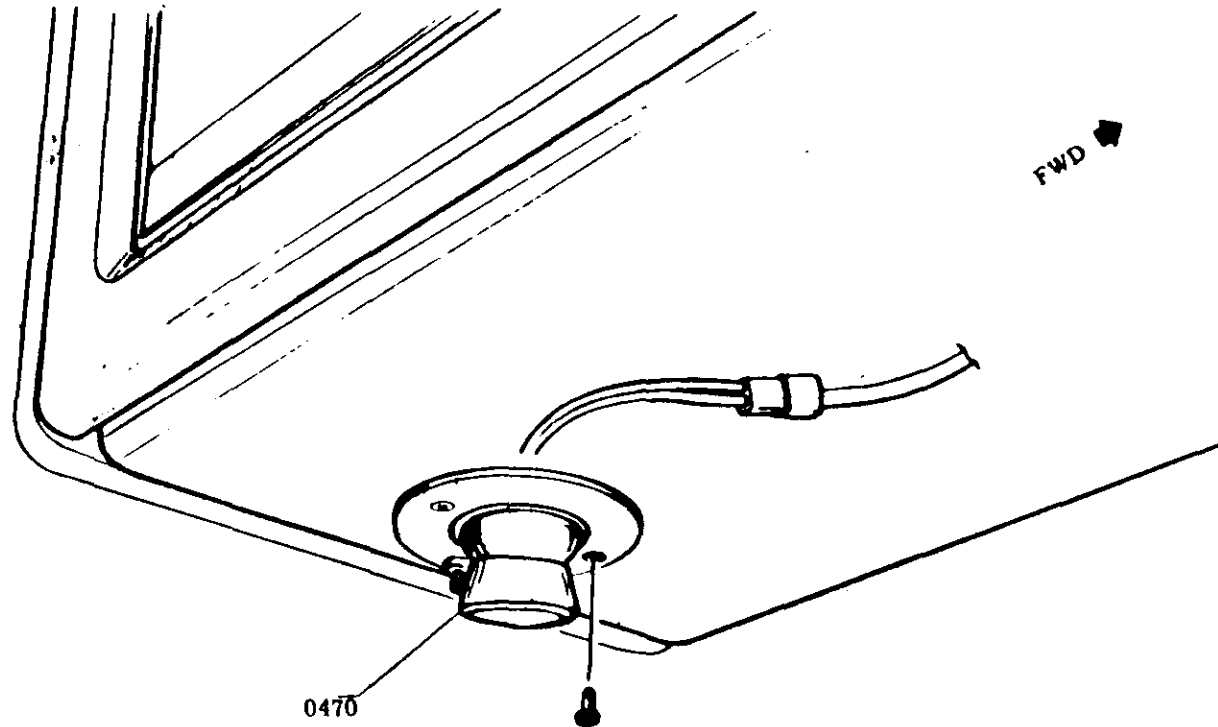
VIEW A

TYPICAL

DYNAMIC (Installation) - LBS	HAND (Inspection) - LBS	DATE	SYM	REVISION	AUTH	DR	CK	DEPARTMENTS	BOOK
		6/21/77		ORIGINAL RELEASE	4700	ET		TRAINOR	78 TRUCK
									BOOK 70
									TITLE
									LAMP ASM. - HALL & L.H. OVERHEAD
									ZE06581
									BASE
									ELEC. CONV. ITEMS
									DIVISION
									1K3
									SHEET
									31



GMT 922 1-73



0470

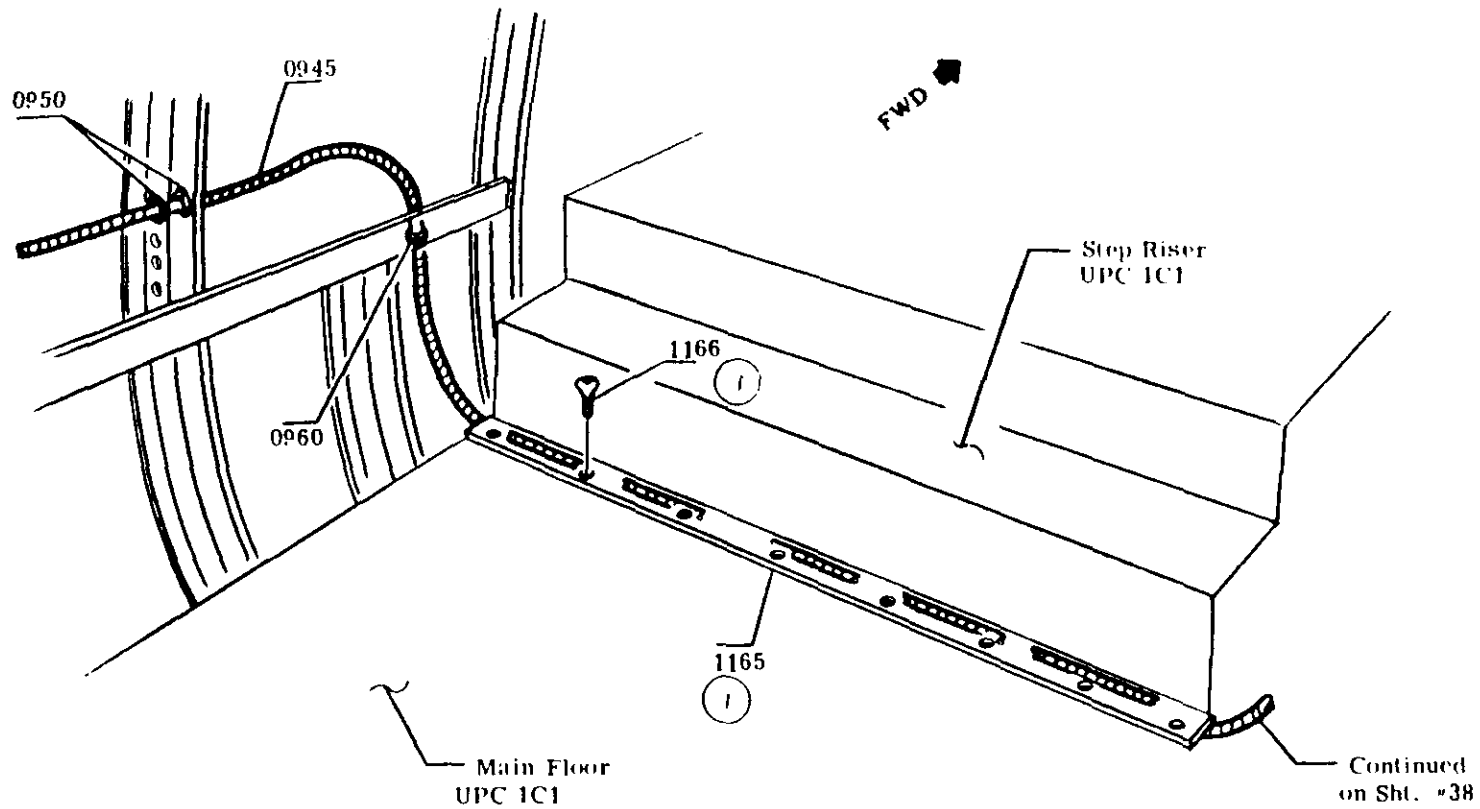
Install lamp with switch toward rear of vehicle at each rear overhead cabinet. Mate connector inside cabinet.

DYNAMIC (Installation) - LBS	HAND (Inspection) - LBS	DATE	SYM	REVISION	AUTH	DR	EX	DEPARTMENTS	73 TRUCK	BOOK 70
		6-21-77		ORIGINAL RELEASE	47006	57	48	THOMAS	TITLE	
									LAMP ASM. - READING	
									ZED6581	
									NAME ELEC. DIVISION SHEET	
									CONV. 1K3	33
									ITEMS	



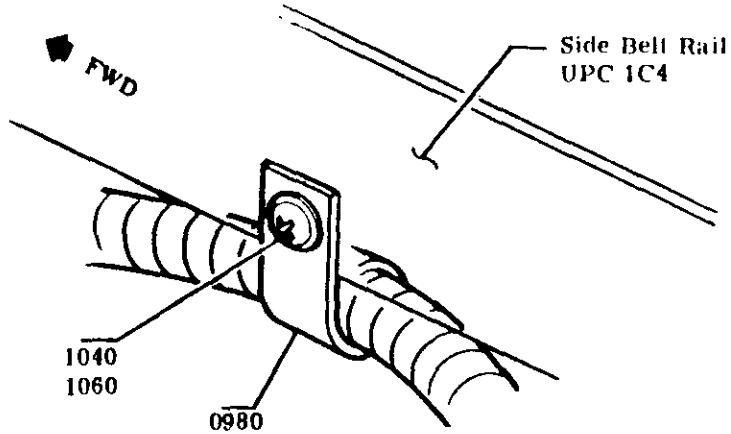


GM 222 1-75



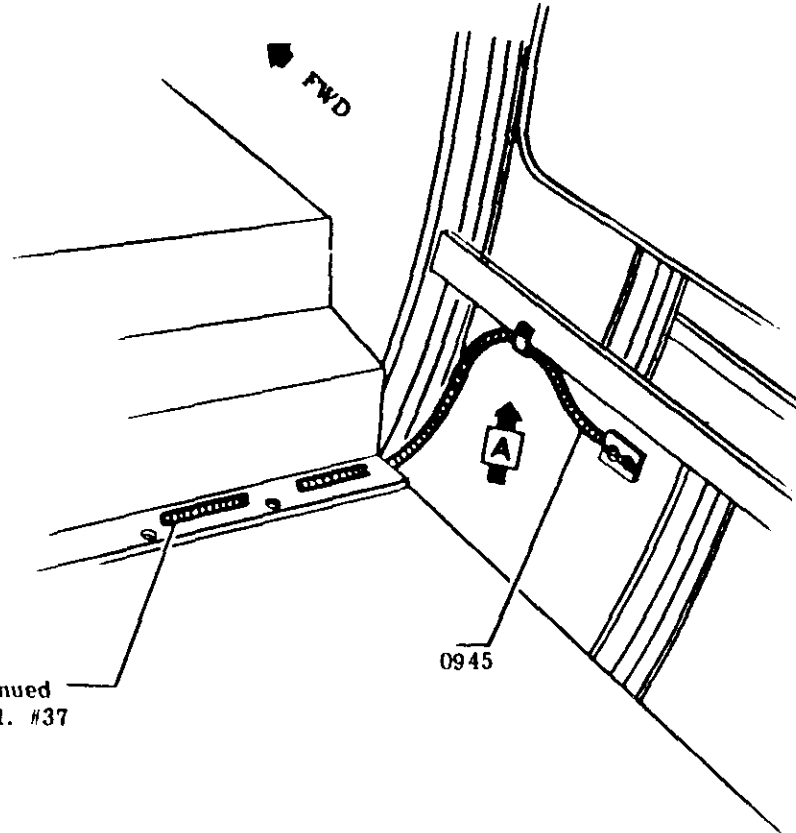
DYNAMIC (Installation) - LBS	MAINT (Inspection) - LBS	DATE	SYM	REVISION	AUTH	DR	IN	DEPARTMENTS	78 TRUCK	BOOK 70
<input checked="" type="checkbox"/> <input checked="" type="checkbox"/> <input checked="" type="checkbox"/> <input checked="" type="checkbox"/> <input checked="" type="checkbox"/>		6-21-77		ORIGINAL RELEASE	H7000			TRAINING	TITLE	
		6-24-77	1	ITEM NO. 1165 - 1166 HDLRC				TRAINING	HARNASS ASM. - LH Front - 110V	
									NAME	ELEC. DIVISION/UPC
									CONV.	1K3
									ITEMS	SHEET 37

GMT 922 1/75



Washer Installs Between Screw Head and Clip. Position Clip Such That Harness Lays Inside of Wall Cavity
Clip Location Denoted by Red Tape on Harness

VIEW A

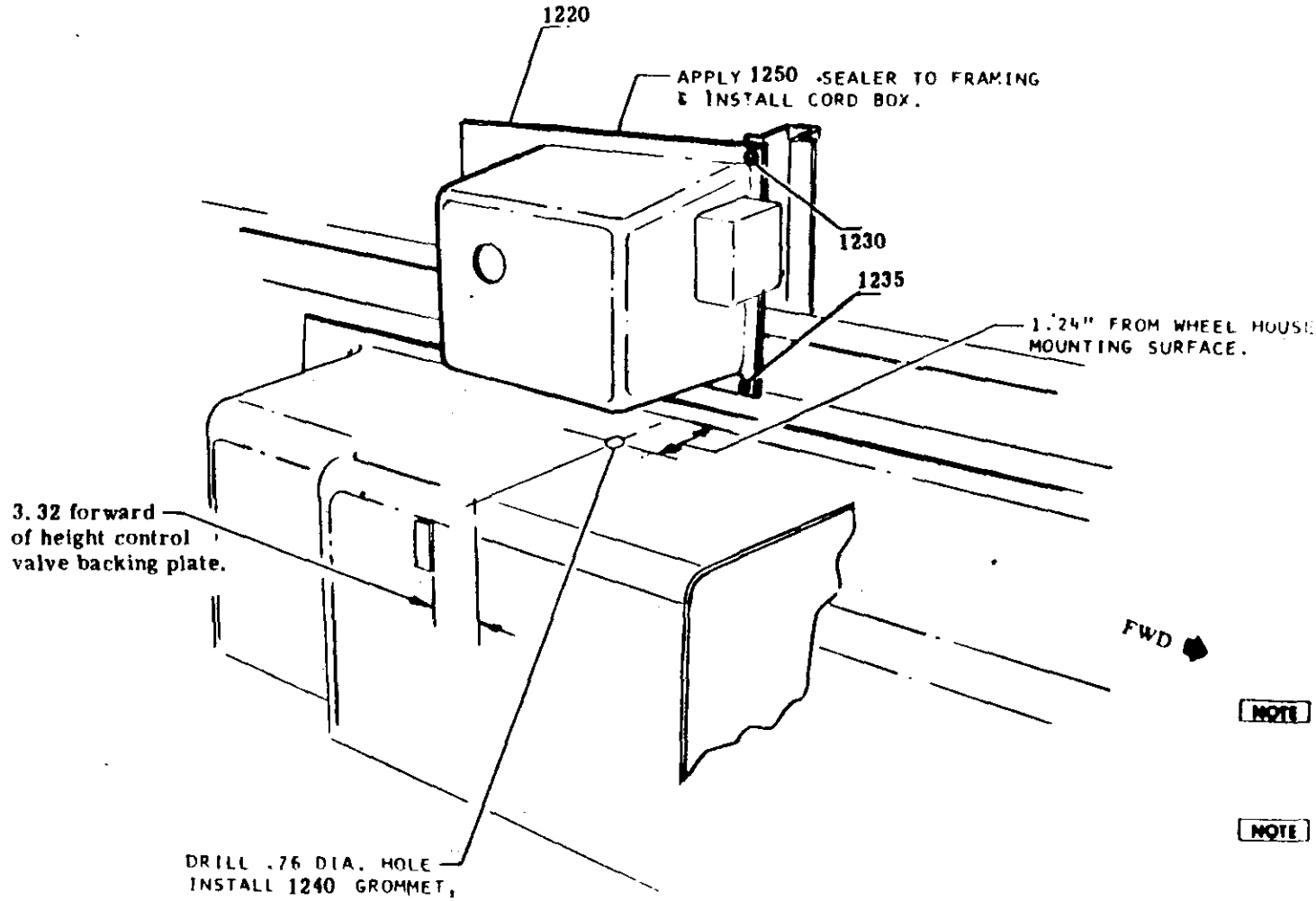


Continued on Sht. #37

DYNAMIC (Installation) - LBS	MANU (Inspection) - LBS	DATE	SYM	REVISION	AUTH	DR	CR	DEPARTMENTS	TITLE
		6/21/77		CRITICAL RELEASE	V. P. ...				'78 TRUCK
									BOOK 70
									HARNESS ASM. - RH FRONT 110V
									NAME ELEC. CONV. ITEMS
									DIVISION/UPC 1K3
									SHEET 38

- △
- △
- △
- △
- △

GMT 1-73

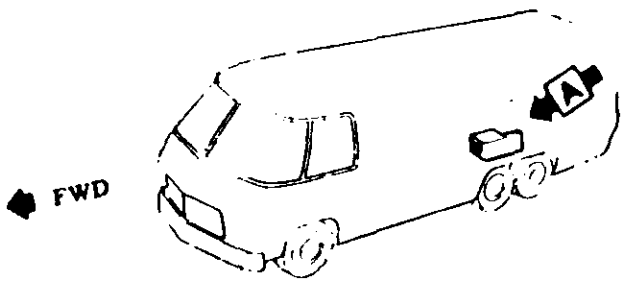


NOTE Use (2) existing screws on upper flange of wheelhouse for lower flange of cord box asm.

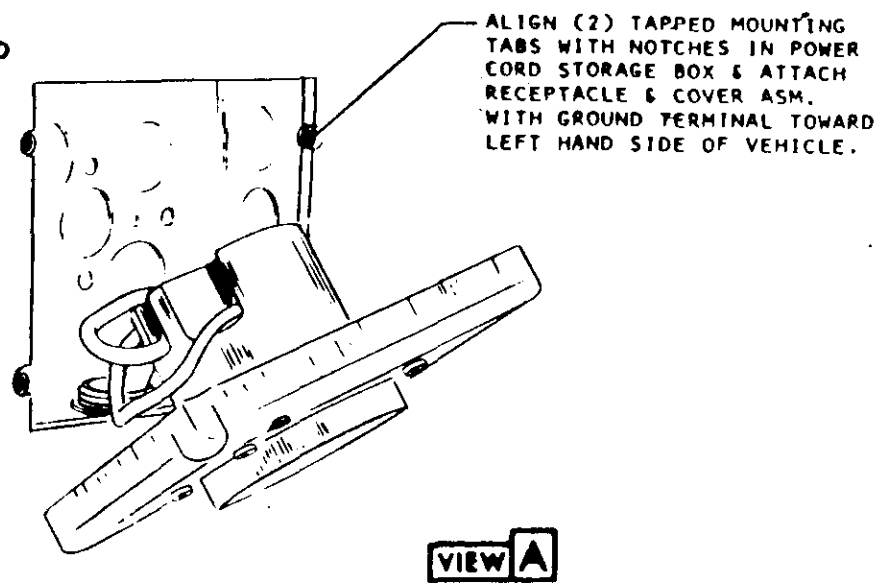
NOTE Do not attempt to bend seal around corners. Cut end overlap.

DYNAMIC (Installation) - LBS	HAZARD (Inspection) - LBS	DATE	SYM	REVISION	AUTH	DR	CK	DEPARTMENTS	TRUCK	BOOK
		6/2/77		ORIGINAL RELEASE	412000	STP		TRUCK BODY	78	70
									TITLE	
									CORD BOX ASM. ZE06581	
									ITEMS	SHEET
									1K3	43

GMT 9-73



FWD



ALIGN (2) TAPPED MOUNTING TABS WITH NOTCHES IN POWER CORD STORAGE BOX & ATTACH RECEPTACLE & COVER ASM. WITH GROUND TERMINAL TOWARD LEFT HAND SIDE OF VEHICLE.

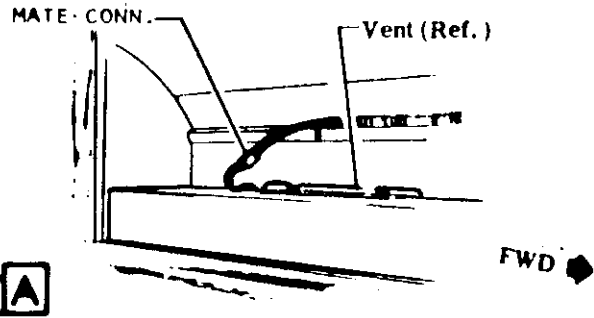
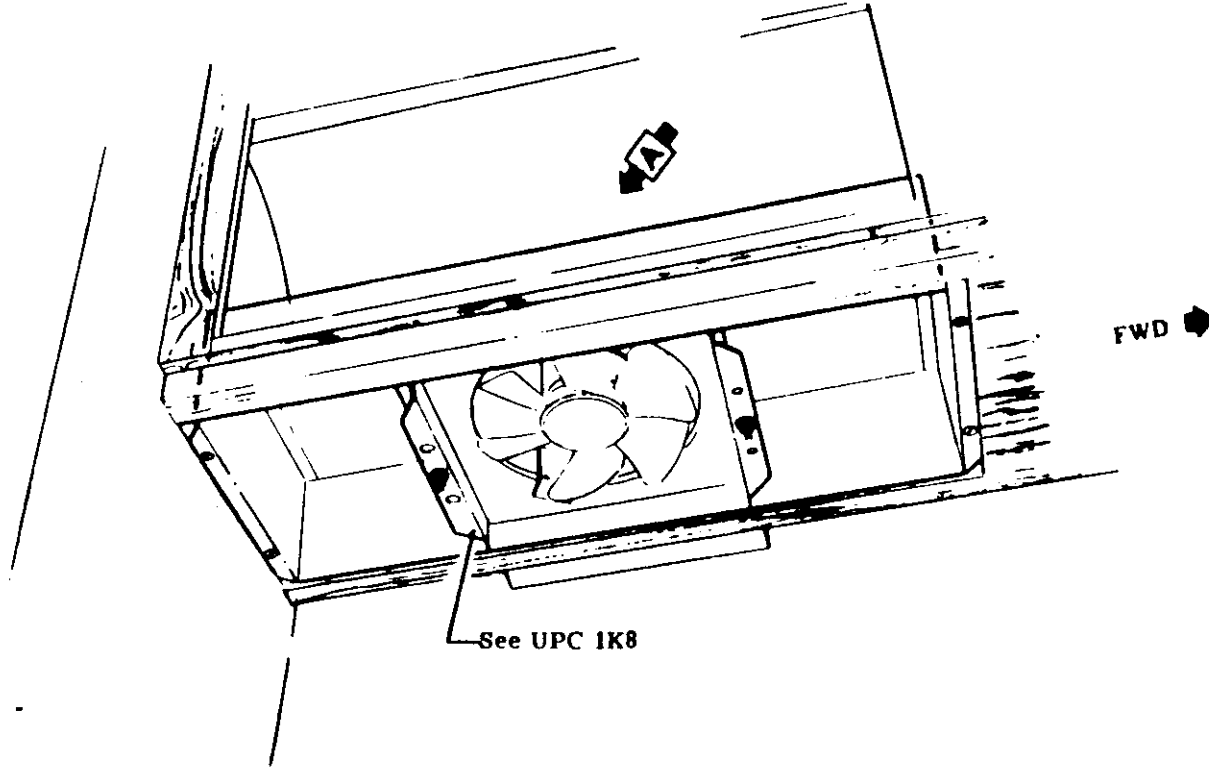
VIEW A

DYNAMIC (Installation) - LBS	HAND (Inspection) - LBS	DATE	SYM	REVISION	AUTH	DN	CR	DEPARTMENTS	TITLE
		6-4-77		ORIGINAL RELEASE	Y. W. STUBBS			THOMPSON	78 TRUCK BOOK 70
									RECEPTACLE - POWER CORD STORAGE BOX - 110 V ZEB581
									NAME ELEC. CONV. ITEMS
									DIVISION 103 SHEET 44

- △
- △
- △
- △
- △



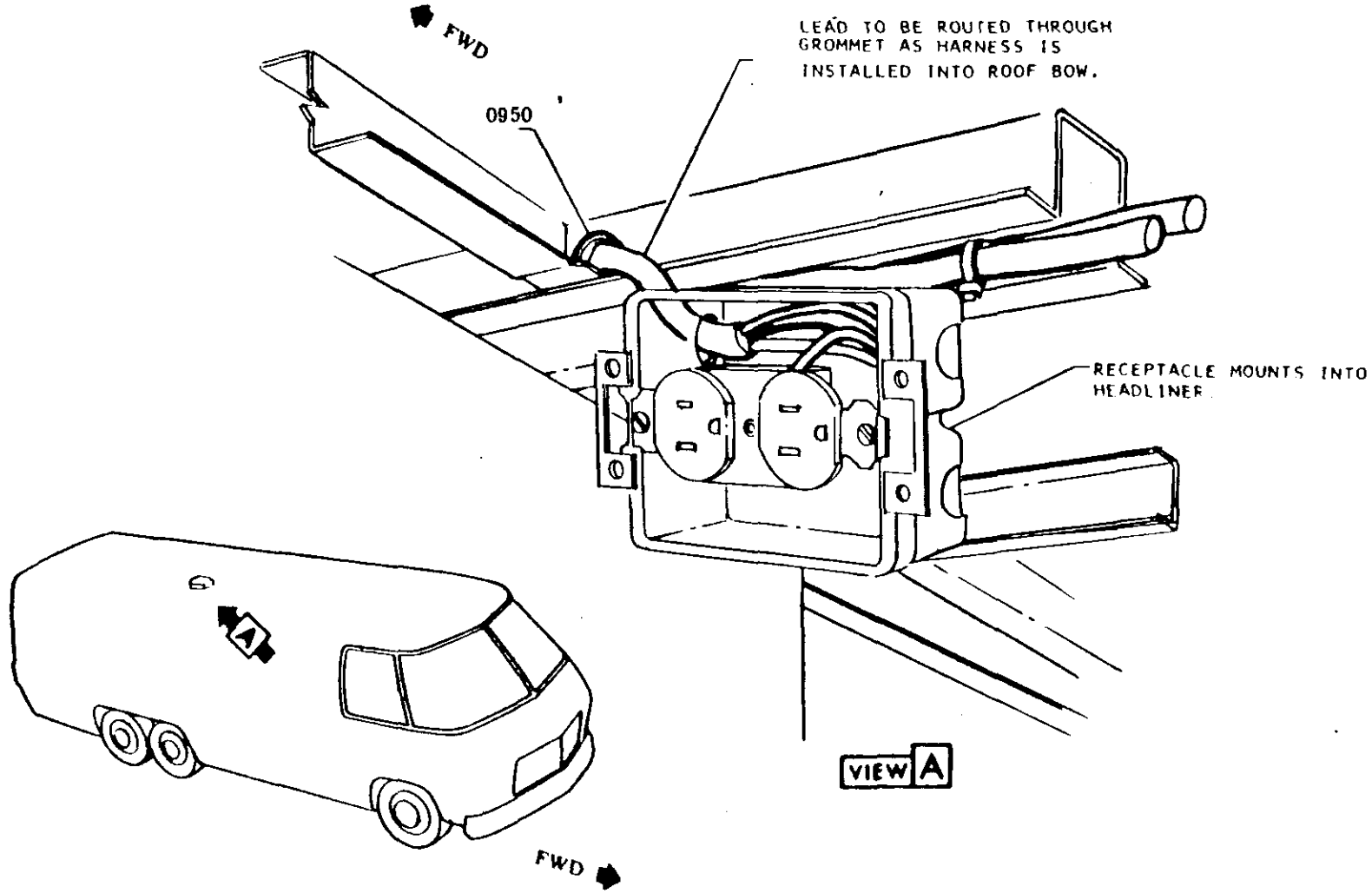
GMT 922 1-73



DYNAMIC (Installation) - LBS	HAND (Inspection) - LBS	DATE	SYM	REVISION	AUTH	DR	CR	DEPARTMENTS	TITLE
		6-21-77		ORIGINAL RELEASE	THOMPSON				78 TRUCK BOOK 70
									STOVE VENT ASM. ZE06581
									ELEC. CONV. ITEMS
									1K3
									45

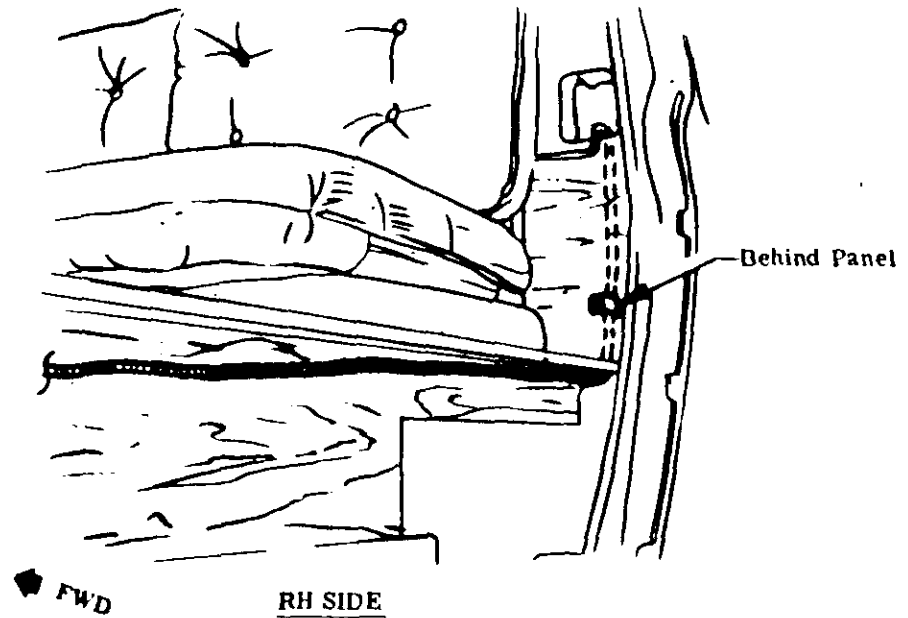
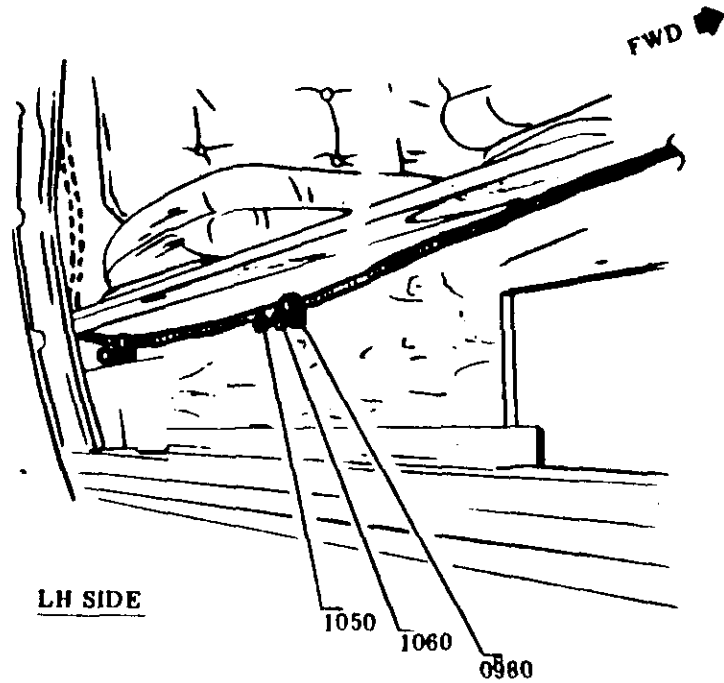
- ▲
- ▲
- ▲
- ▲
- ▲

GMT 922 1-73



DYNAMIC (Installation) - LBS	MANUAL (Inspection) - LBS	DATE	SYM	REVISION	AUTH	DR	CF	DEPARTMENTS	TITLE	BOOK
△		6-21-77		ORIGINAL RELEASED	47000	572		Thompson	78 TRUCK	BOOK 70
△									HARNES ASM. - HALL CEILING	
△									RECEPTACLE ZE06581	
△									NAME ELEC.	DIVISION
△									CONV.	W3
△									ITEMS	SHEET 46

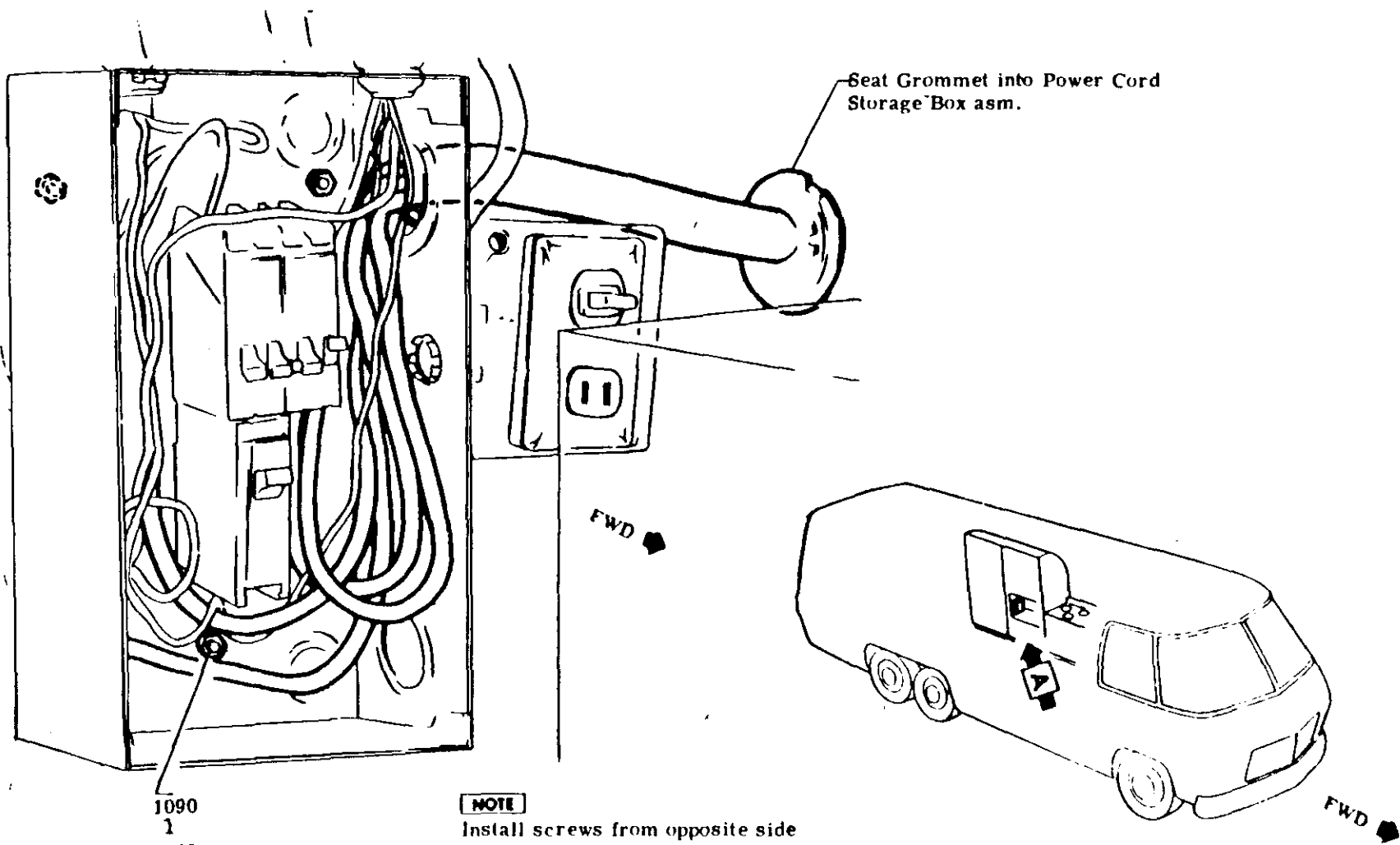
GMT 500 1-73



Washer installs between screw head and clip. Clip locations denoted by (Red) tape on harness.

DYNAMIC (Inspection) - LBS	HAND (Inspection) - LBS	DATE	SYM	REVISION	AUTH	DR	CR	DEPARTMENTS	73 TRUCK	BOOK 70
▲		2-21-77		ORIGINAL RELEASE	4200			THOMPSON	TITLE	
▲									HARNES ASM. - REAR - 110V	
▲									ZE06581	
▲									NAME ELEC. CONV. ITEMS	SHEET
▲									103	49

GMT 9... 1-73

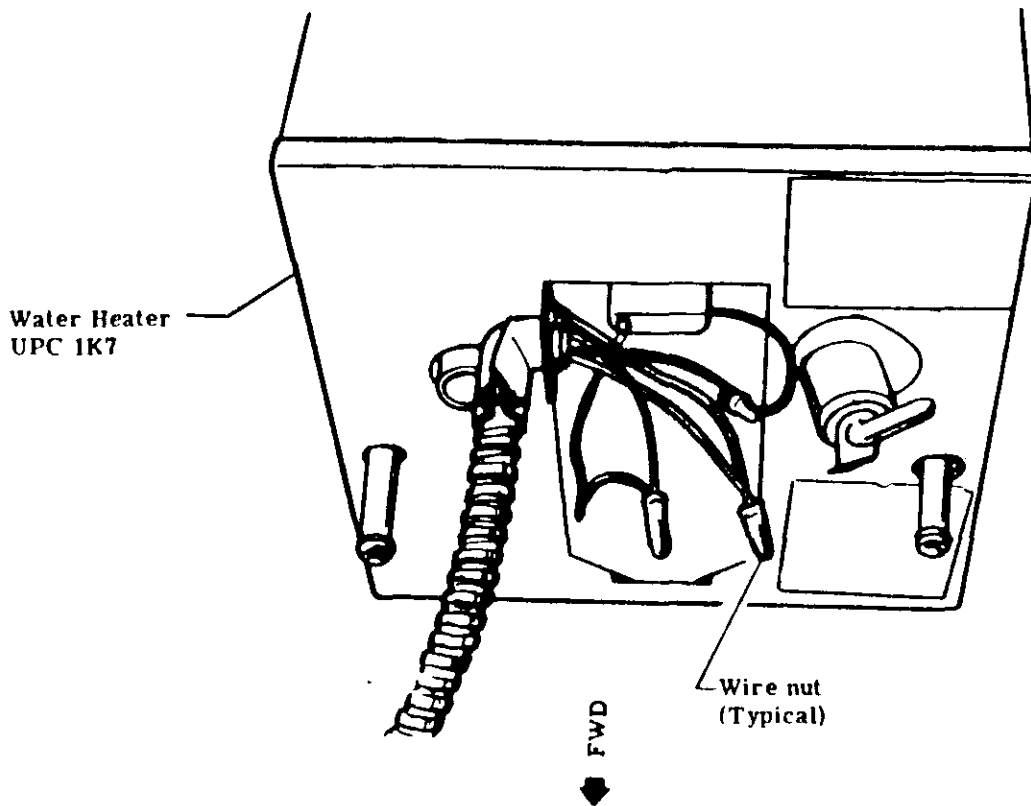


- 1090
- 1
- 1100
- 1110

NOTE
Install screws from opposite side of mounting surface, secure box with washers & nuts.

DYNAMIC (Installation) - LBS	HAND (Inspection) - LBS	DATE	SYM	REVISION	AUTH	DR	CR	DEPARTMENTS	TRUCK	BOOK
▲		6-24-77		ORIGINAL RELEASE	42000			THOMPSON	70	70
▲									TYPE	
▲									CIRCUIT BREAKER PANEL - 110V	
▲									ZE06581	
▲									NAME	
									ELEC. CONV. IDEAS	
									PK3	54

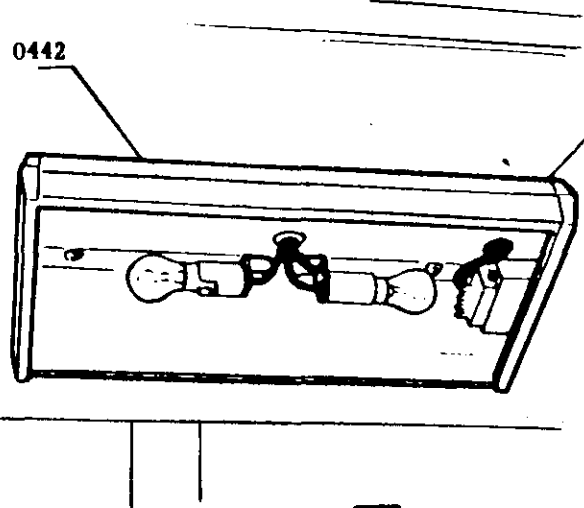
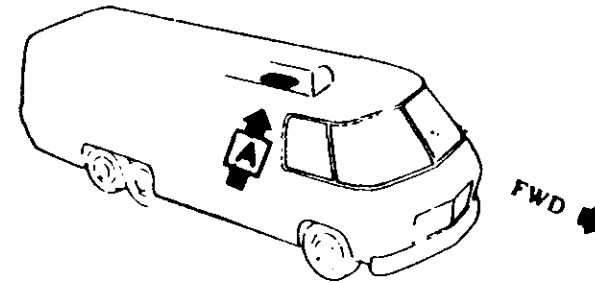
GMT 922 1-73



Remove cover from enclosure. Temporarily remove wire nuts from harness. Feed wire from main harness through elbow. Install metal sheath into elbow 1" and tighten clamp. Twist mating wire ends together (Black to Black, White to White, Green to Green). Reinstall wire nuts & tighten securely to wire. Install cover such that wire is enclosed.

NAME (Installation) - LBS	NAME (Inspection) - LBS	DATE	SYM	REVISION	AUTH	DR	CK	DEPARTMENTS	TRUCK	BOOK
▲		6-21-77		ORIGINAL RELEASE	4200			Thompson	78	70
▲										
▲										
▲										
▲										
▲										
▲										
TITLE									WIRING INSTRUCTIONS - WATER HEATER 110 V ZE06581	
NAME ELEC. CONV. ITEMS									DIVISION	SHEET
									NO	55

GMT 922 1-73

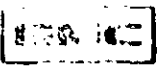


0442
 0446 At RH LH front cabinets
 (See note)
 Install thread inserts. Feed lamp harness through hole so that excess wire is inside of cabinet. Install lamp with switch toward rear of vehicle. Mite lamp and harness connectors. Replace lenses.

NOTE ENJ - Lamp mounts with switch toward REAR
 ENL - Lamp mounts with switch toward FRONT

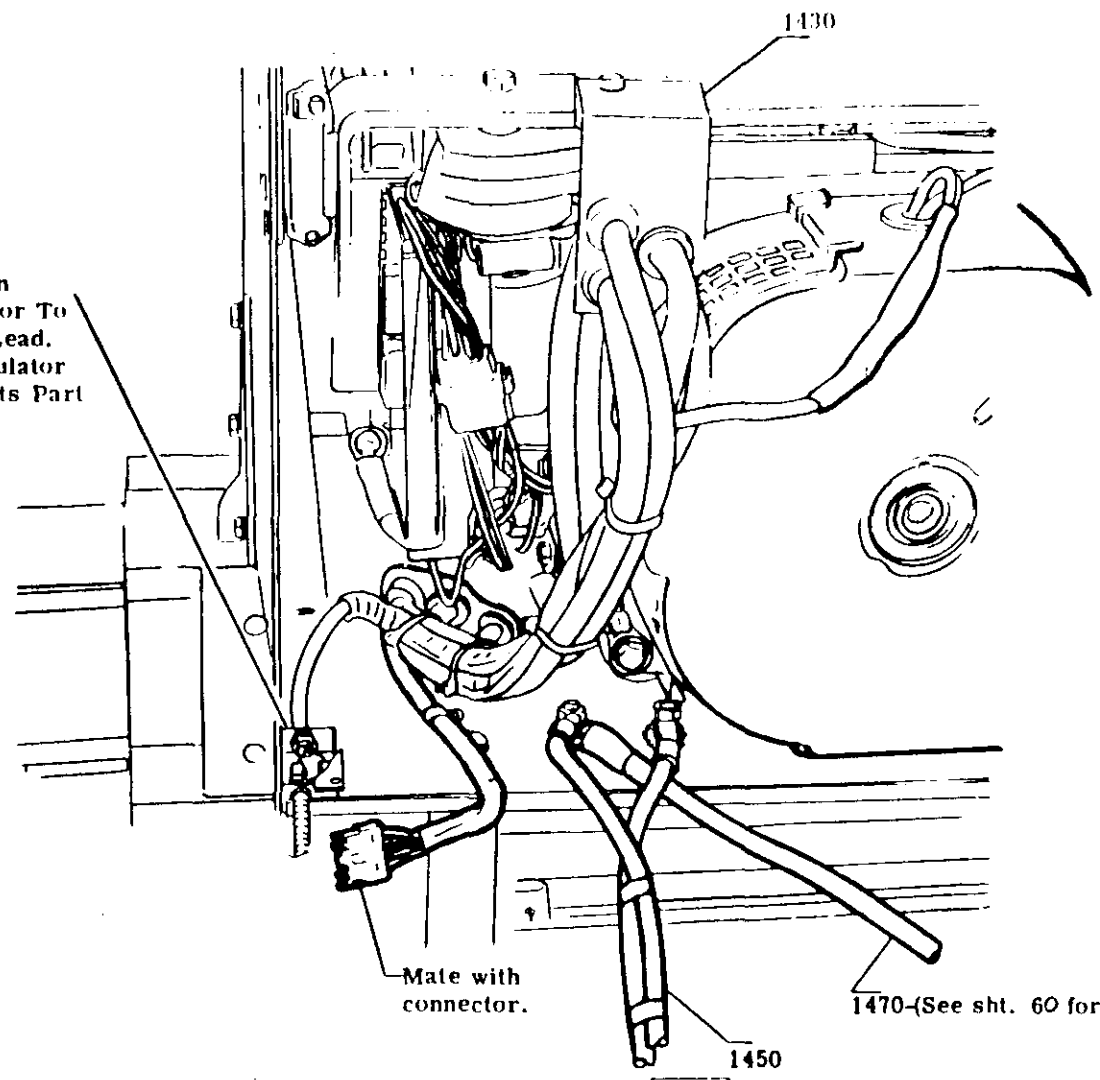
VIEW A
(Typical)

DYNAMIC (Installation) - LBS	HAND (Inspection) - LBS	DATE	SYM	REVISION	AUTH	DR	CE	DEPARTMENTS	TITLE	DIVISION	SHEET
	▲ ▲ ▲ ▲	6/177		ORIGINAL RELEASE	4/2000	SPK		THOMSON	78 TRUCK		BOOK 70
									LAMP ASM. - CABINET		
									ZE06581		
									ELEC. CONV. ITEMS	1K3	56



GMT 922 1 73

Remove Rear Knock Out in Junction Box & Install MG Harness Connector To J-Box. L2 Lead Splices to Black Lead. Cover Splice Connections With Insulator Boots. Splicers and Insulator Boots Part of 1500 Harness Asm....



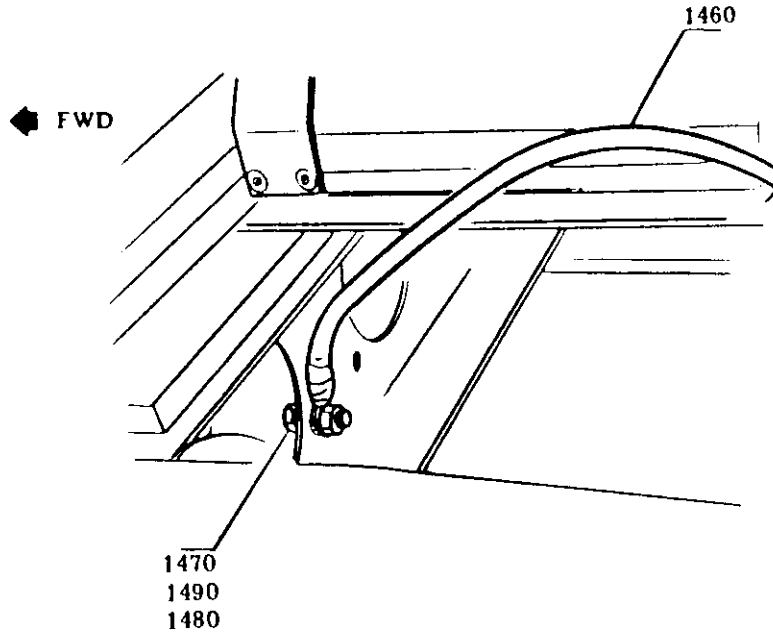
NOTE

Black cable attaches to rear stud with 1460 harness asm. Red Cable attaches to forward stud. Route as shown.

DYNAMIC (Installation) - LBS	HAND (Inspection) - LBS	DATE	SYM	REVISION	AUTH	DR	CR	DEPARTMENTS
△		6-2-77		ORIGINAL RELEASE	42000	ST	J	
△		10-1-77	L	SEAL RESISTANCE ADDED				
△								
△								
△								
△								

'78 TRUCK		BOOK 70	
TITLE WIRING - M. G. SET - 12V & 110V W KNC ZEO6581			
NAME ELEC. CONV. ITEMS	QUANTITY 113	SHEET 39	

GMT 922 1/75



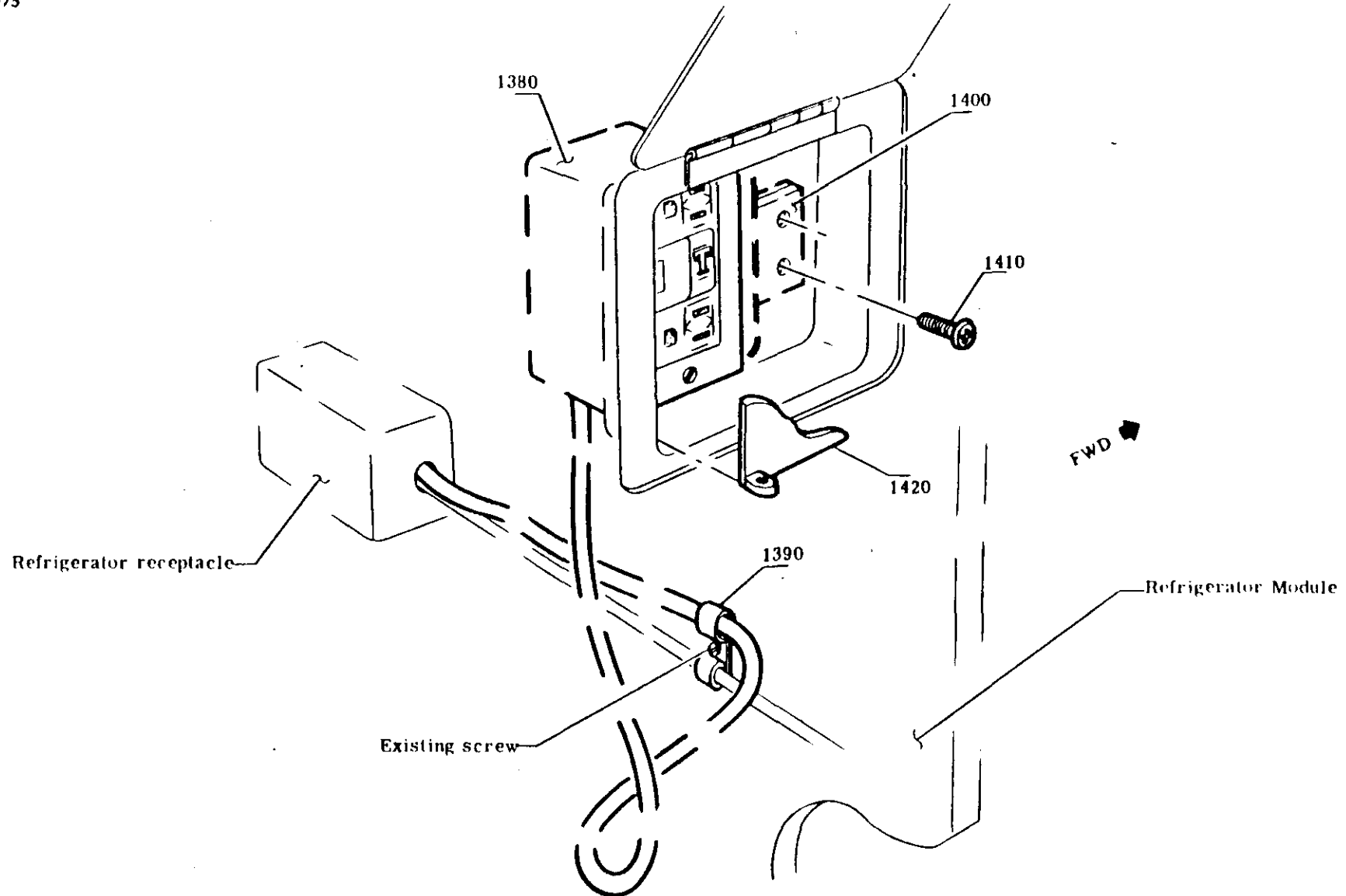
[NOTE] (1) Washer Installs Between Bolt Head & Crossmember.
(1) Washer Installs Between Cable Terminal & Nut.

DYNAMIC (Installation) - LBS	MANUAL (Inspection) - LBS	DATE	SYM	REVISION	AUTH	DR	EV	DEPARTMENTS	78 TRUCK BOOK 70	
		6.21.77		ORIGINAL RELEASE	W. COO	ST		TRUCK	TITLE WIRING - M.G. SET - 12V & 110V W KNC	
									NAME ELEC. CONV. ITEMS	DIVISION/UPC 1K3
										SHEET 60





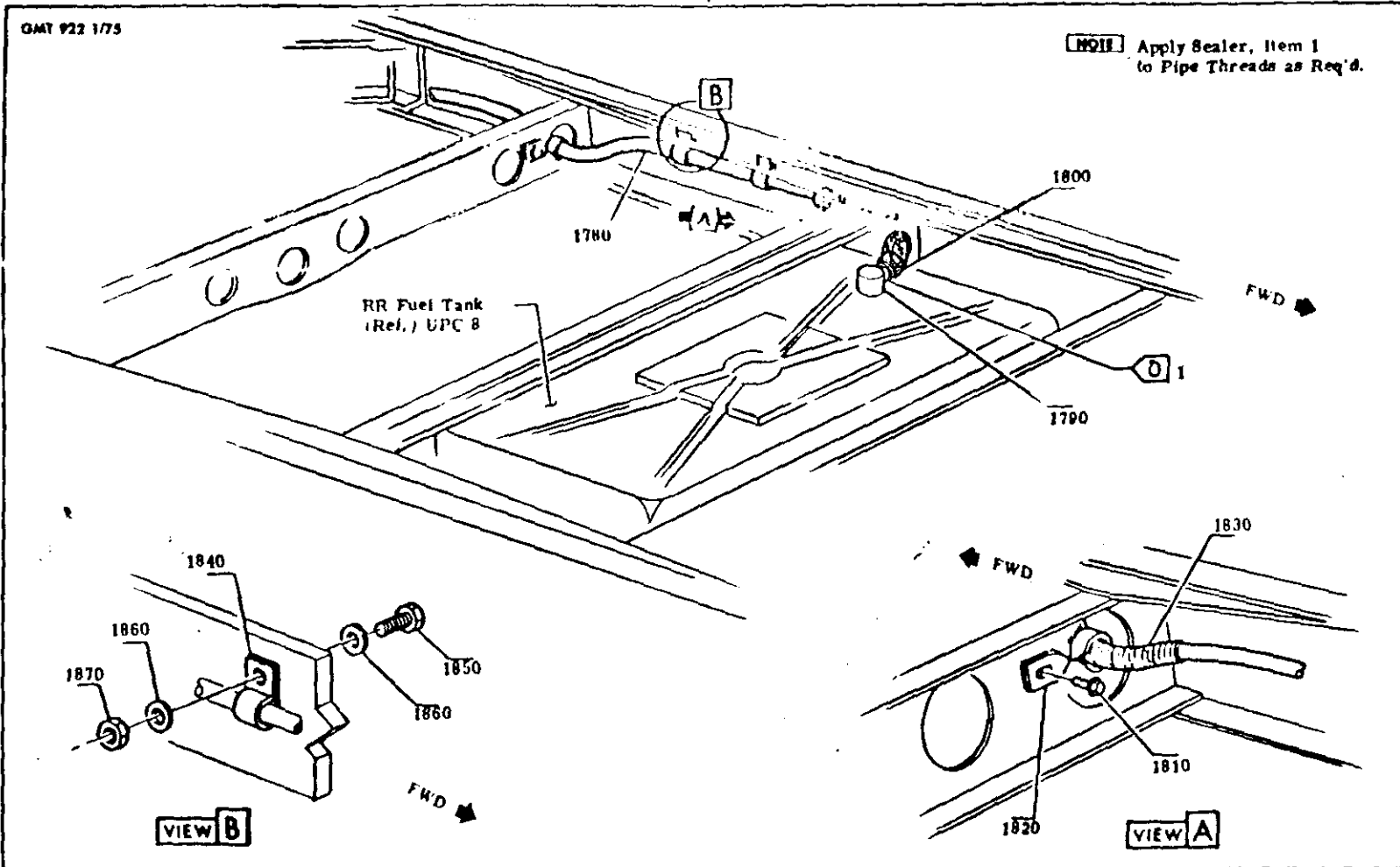
GMT 922 1/75



DYNAMIC (Installation) - LBS	HAND (Inspection) - LBS	DATE	SYM	REVISION	AUTH	DR	CR	DEPARTMENTS	78 TRUCK	BOOK 70
⚠		6-21-77		ORIGINAL RELEASE	47001				TITLE	
⚠									OUTSIDE RECEPTACLE - 110V	
⚠									Z E06581 W U97	
⚠									NAME ELEC.	DIVISION/UPC
⚠									CONV.	1K3
⚠									ITEMS	SHEET 61

□ ITEM REFERENCE ◇ PROCESS MATERIAL ▲ FORMER ▣ PART OF OR FASTENER

NOTE: Apply Sealer, Item 1 to Pipe Threads as Req'd.



ITEM	PART
1780	9436889
1790	3744155
1800	2494772
1810	1444232
1820	3941477
1830	A 12141
1840	5151108
1850	1442232
1860	1442232
1870	1442232
1	8860653

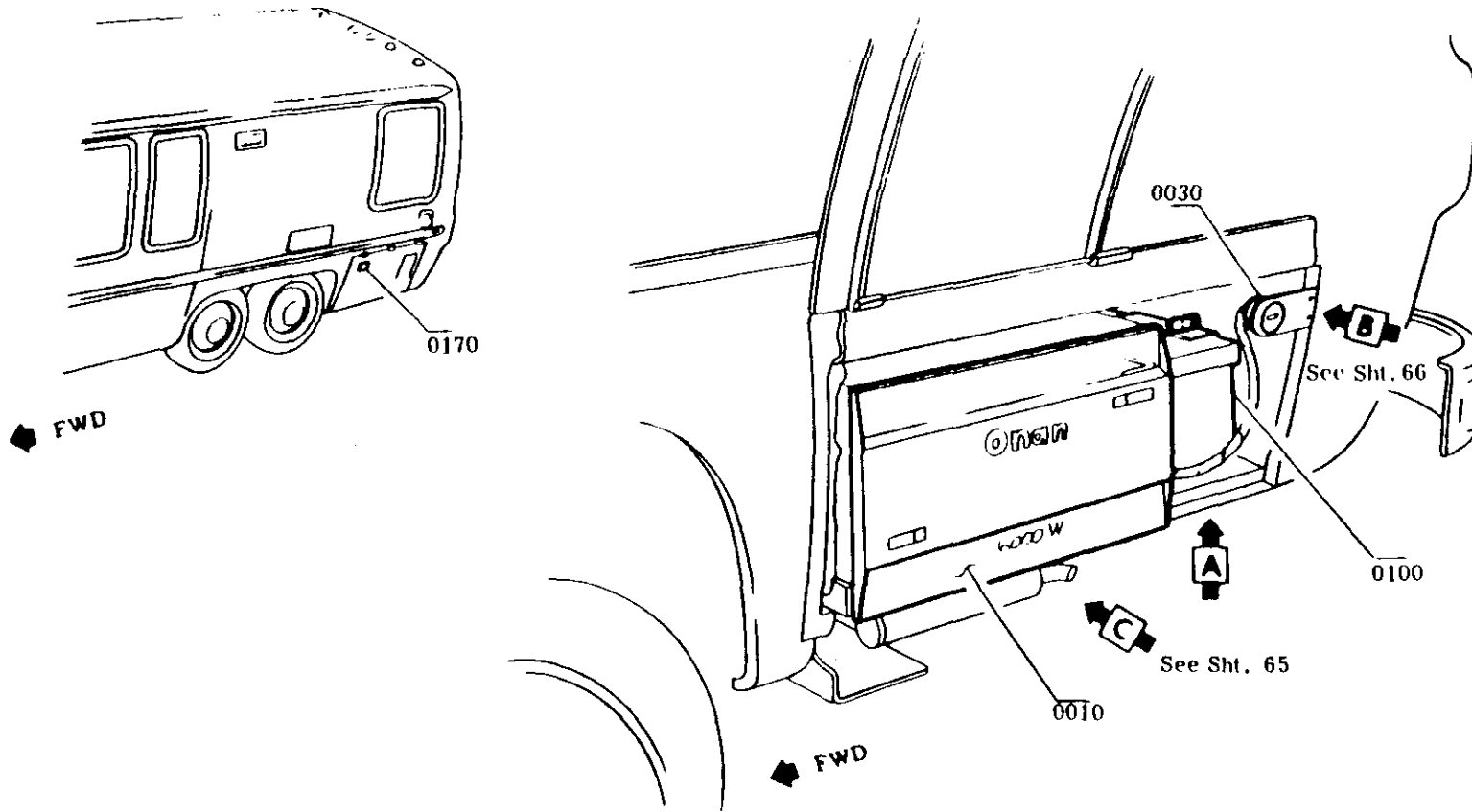
REFERENCE L 4311

PRELIMINARY

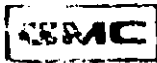
SYMBOL (Installation) - LES	NAME (Impression) - LES	DATE	BY	REVISION	SKETCH	OR	CC	DEPARTMENTS	TITLE	BOOK
▲		11		ORIGINAL DESIGN				THOMPSON	78 TRUCK	BOOK 70
▲									GENERATOR FUEL HOSE	
▲									W KNC ZEO6581	
▲									NAME ELEC. CONV. ILLMS	
▲									DIVISION/UPC	
▲									1K3	
▲									SHEET	62



GMC 922 1 75

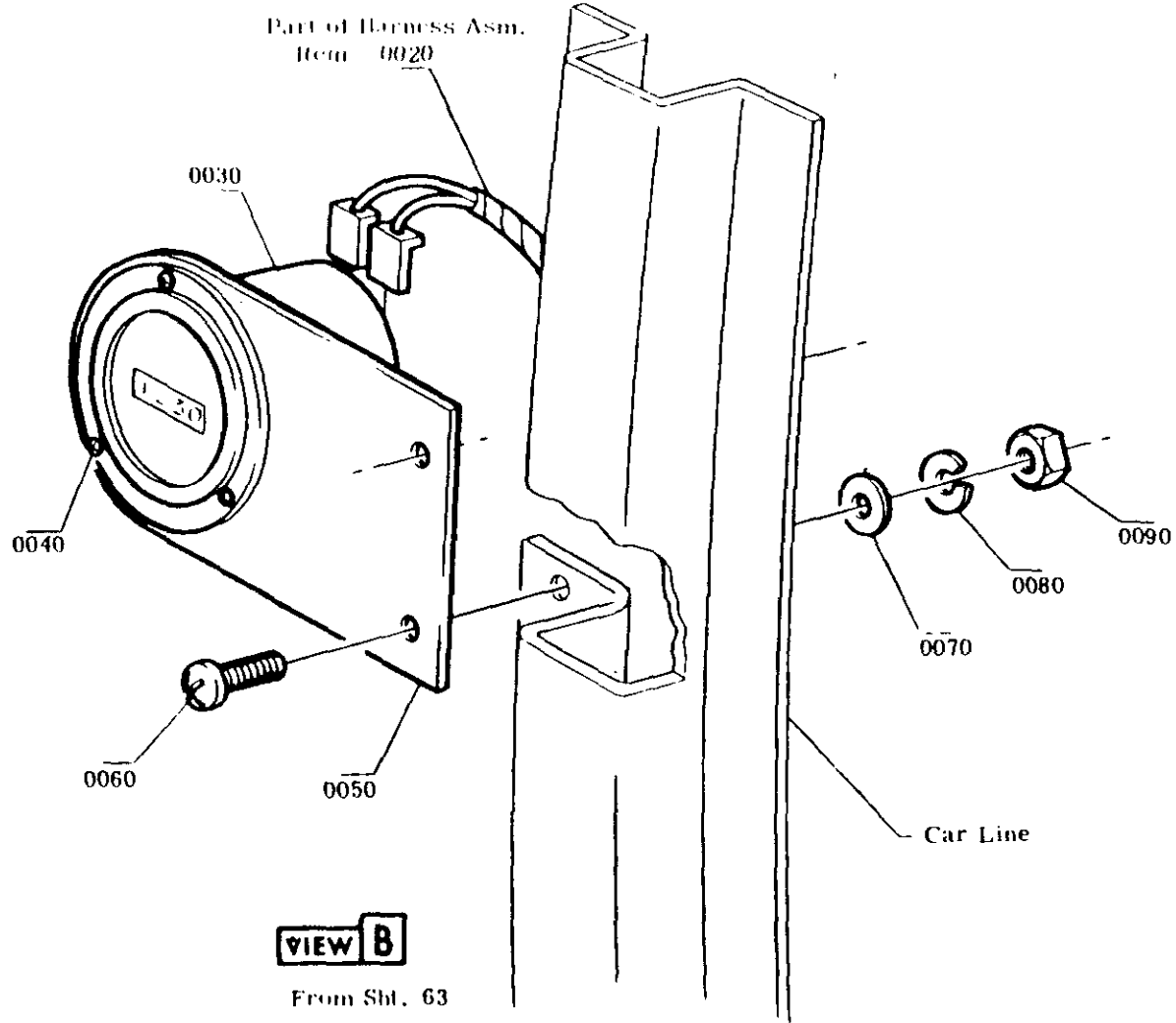


DYNAMIC (Inspection) - LBS	HAND (Inspection) - LBS	DATE	SYM	REVISION	AUTH	DR	EN	DEPARTMENTS	'78 TRUCK	BOOK 70
▲				ORIGINAL RELEASE	4/000				TITLE	
▲									MOTOR GENERATOR ASM. & LABEL.	
▲									LOCATION ZEO6583 W KNC	
▲									NAME ELEC.	DIVISION/UPC
▲									CONVENIENCE	1K3
▲									ITEMS	63



CMT 922 1 75

↙ FWD



VIEW B

From Sht. 63

BY	DATE	SYMBOL	REVISION	AUTH	DR	CR	DEPARTMENTS	BOOK
	4/17/74		ORIGINAL RELEASE				'78 TRUCK	BOOK 70
							TITLE	
							HOUR METER & WIRING	
							ZE06583 W KNC	
							NAME ELEC.	DIVISION/UPC
							CONVENIENCE	1K3
							ITEMS	SHEET 66

ITEM	PART OR TOOL DESCRIPTION	ADD'L DATA	QTY	PART NUMBER	ENGINE CODES	SERIES	DOY	ITEM RESTRICTION	DEPARTMENTS		CHANGE		LOGIC CODE	FUNCTION CODE	ADDITIONAL CODES	LINE NOS.
									BT	2/STA	CD	AUTH				
AA01014	ELEC EQUIP		*	L6656			81		0782						99501	1.8
AA01024	REFRIG MODULE								0782							1.9
AA01034	DRILL&CUT INST								0782							1.10
AA02014	ELEC EQUIP		*	L6657			81		0782						99502	1.12
AA02024	WARDROBE MODULE								0782							1.13
AA02034	ELEC								0782							1.14
AA03014	ELECT EQUIP		*	L6659			81		0782						99504	1.16
AA03024	BLANKET STOP								0782							1.17
AA03034	MODULE DRILL								0782							1.18
AA03044	C CUT INSTR								0782							1.19
AA04014	HARN&CONV INST		*	L6888			81		0782						99505	1.21
AA05014	HARN INSTL		*	L6890			81		0782						99506	1.23
AA05024	REFRIG 12V 110V								0782							1.24
AA06014	STOVE VENT INSTL		*	L6891			81		0782						99507	1.26
AA07014	FLP LP INSTL		*	L6893			81		0782						99508	1.28
AA08014	READING LP INSTL		*	L6894			81		0782						99509	1.30
AA09014	BATH LP INSTL		*	L6895			81		0782						99510	1.32
AA10014	UNDER CABINET		*	L6896			81		0782						99511	1.34
AA10024	LP INSTL								0782							1.35
AA11014	HALL&LN OVERHEAD		*	L6897			81		0782						00512	1.37
AA11024	LP INSTL								0782							1.38
AA12014	ELECT EQUIP		*	L6658			81		0782						99503	1.40
AA12024	WARDROBE MODULE								0782							1.41
AA12034	THERM DRIL INSTR								0782							1.42
AA14014	A/C PRF WIRE		*	MD14633			81UNR		0702						99576	1.44
AA15014	CLIP INSTL		*	L6932			81KNC		0704						99558	1.46
AA16014	HARN INSTL		*	L6973			81KNC		0704						99560	1.48
AA16024	M/G COMPT								0704							1.49
AA17014	WRG INSTL		*	L6889			81KNC		0704						99561	1.51
AA18014	110V O/S RECEPT		*	L7844			81U97		0782						99572	1.53

1																
2																
3																
4																
5																
6																
7	M.V.S.S.	REFERENCE														

ZE06581

MODEL APPLICATION
ELECTRICAL CONVENIENCE ITEMS
UPC DESCRIPTION

MODEL YEAR 1978
ORIGIN DATE 770719
LAST CHG. DATE 771003
LAST CHG. CODE CORR.
70 1K3 A 1
BK U. P. C. QRP PAGE

ASSEMBLY INFORMATION

ITEM	PART OR TOOL DESCRIPTION	ADD'L DATA	QTY	PART NUMBER	ENGINE CODES	SERIES	BOX BRK	ITEM RESTRICTION	DEPARTMENTS		CHANGE		LOGIC CODE	FUNCTION CODE	ADDITIONAL CODES	LINE NOS
									#1	2/STA	CD	AUTH				
AA19014	LH CENTRAL		*	L6898			81		0782						99513	1.56
AA19024	110V HARN								0782							1.57
AA24014	LH LWR RR 110V		*	L6934			81		0782						99518	1.59
AA24024	HARN INSTL								0782							2.1
AA25014	RR 110V HARN		*	L6935			81		0782						99519	2.3
AA25024	INSTL								0782							2.4
AA26014	LH UPR 110V HARN		*	L6936			81		0782						99520	2.6
AA26024	INSTL								0782							2.7
AA27014	RH CENTRAL 110V		*	L6937			81		0782						99521	2.9
AA27024	HARN INSTL								0782							2.10
AA28014	WAY HYR 110V		*	L6938			81		0782						99522	2.12
AA28024	U7BDX INSTL								0782							2.13
AA29014	WAY HYR 110V		*	L6939			81		0782						99523	2.15
AA29024	HARN INSTL								0782							2.16
AA30014	TYP 110V RECEPT		*	L6940			81		0782						99524	2.18
AA30024	INSTL								0782							2.19
AA31014	HALL CEILING		*	L6941			81		0782						99525	2.21
AA31024	RECEPTACLE								0782							2.22
AA31034	HARN INSTL								0782							2.23
AA32014	TYP 110V		*	L6942			81		0782						99526	2.25
AA32024	RECEPTACLE								0782							2.26
AA33014	110V CYRC BRKR		*	L6943			81		0782						99527	2.28
AA33024	PNL INST								0782							2.29
AA34014	LH UPR FWD		*	L6944			81		0782						99528	2.31
AA34024	12V HARN INSTL								0782							2.32
AA35014	LH UPR CENTRAL		*	L6945			81		0782						99529	2.34
AA35024	12V HARN INSTL								0782							2.35
AA36014	LH RR UPR		*	L6947			81		0782						99531	2.37
AA36024	12V HARN								0782							2.38
AA37014	LH LWR FWD		*	L6948			81		0782						99532	2.40
AA37024	12V HARN								0782							2.41
AA38014	LH LWR CENTRAL		*	L6949			81		0782						99533	2.43
AA38024	12V HARN								0782							2.44

F.M.V.S.S. REFERENCE	ZE065R1										MODEL YEAR 1978	
											ORIGIN DATE 770719	
											LAST CHG DATE 771003	
											LAST CHG CODE CRA	
ELECTRICAL CONVENIENCE ITEMS										70 1K3 A 2		
UFC DESCRIPTION										BK U. P. C. QRP PAGE		

ITEM	E G	PART OR TOOL DESCRIPTION	ADD'L DATA	Q T Y	PART NUMBER	ENGINE CODES	SERIES	BOV BRK	ITEM RESTRICTION	DEPARTMENTS		CHANGE		LOGIC CODE	FUNCTION CODE	ADDITIONAL CODES	LINE NOS	
										FI	2/STA	CD	AUTH					
AA39014		LWR RR		*	L6950			81		0782							99534	2.46
AA39024		12VHARN								0782								2.47
AA40014		C/LP SW TYP		*	L6951			81		0782							99535	2.49
AA40024		12V HARN								0782								2.50
AA41014		RF CTR 12V HARN		*	L6952			81		0782							99536	2.52
AA41024		INSTL								0782								2.53
AA42014		RH VER CENT		*	L6953			81		0782							99537	2.55
AA42024		12V HARN								0782								2.56
AA43014		RH FWD 12V		*	L6954			81		0782							99538	2.58
AA43024		HARN INST								0782								2.59
AA44014		RH UPR RR 12V		*	L6955			81		0782							99539	3.2
AA44024		HARN INSTL								0782								3.3
AA45014		RH LWR CENT		*	L6956			81		0782							99540	3.5
AA45024		12V HARN INSTL								0782								3.6
AA46014		RH LWR RR 12V		*	L6957			81		0782							99541	3.8
AA46024		HARN								0782								3.9
AA47014		LPG COMPT 12V		*	L6958			81		0782							99542	3.11
AA47024		HARN INSTL								0782								3.12
AA48014		RH RR W/PUMP		*	L6959			81		0782							99543	3.14
AA48024		BREAK 12V HARN								0782								3.15
AA48034		INSTL								0782								3.16
AA49014		WAY TR SENDER		*	L6960			81		0782							99544	3.18
AA49024		12V HARN INSTL								0782								3.19
AA50014		FUEL HSE INSTL		*	L4311					0752							99573	3.21
AA60014		LUB CHART		*	MD10298					0754							99584	3.23
AA70014		SYOVE 12V HARN		*	L6962			81		0782							99546	3.25
AA70024		INSTL								0782								3.26
AA71014		REFRIG MODULE		*	L6963			81		0782							99547	3.28
AA71024		12V HARN INSTL								0782								3.29
AA72014		REFRIG MODULE		*	L6967			81		0782							99547	3.31
AA72024		12V HARN INSTL								0782								3.32

1 2 3 4 5	Z00581										MODEL YEAR 1978	
											ORIGIN DATE 770719	
											LAST CHG. DATE 771003	
											LAST CHG. CODE CORR.	
MODEL APPLICATION										70 1K3 A 3		
ELECTRICAL CONVENIENCE ITEMS										BK U. P. G. 800 PAGE		
UPC DESCRIPTION												
REFERENCE												
F.M.V.B.B.												



PRODUCT DESCRIPTION MANUAL

ASSEMBLY INFORMATION

GMT 1061 REV. 5/78

GEN. TRUCK & COACH

ITEM	QTY	PART OR TOOL DESCRIPTION	ADD'L DATA	QTY	PART NUMBER	ENGINE CODES	SERIES	BODY BRK	ITEM RESTRICTION	DEPARTMENTS			LOGIC CODE	FUNCTION CODE	ADDITIONAL CODES	LINE NOS
										#1	2/STA	CD				
AA73014 AA73024		MONITOR PNL 12V HARN INSTL		*	L6964			81		0782 0782					99548	3.34 3.35
AA74014 AA74024		SW PNL 12V HARN INSTL		*	L6965			81		0782 0782					99549	3.37 3.38
AA75014 AA75024		THERM 12V HARN INSTL		*	L6966			81		0782 0782					99550	3.40 3.41
AA76014 AA76024		RR FLR LP 12V HARN INSTL		*	L6969			81		0782 0782					99551	3.43 3.44
AA77014 AA77024		MTR GEN COMPT RR 12V HARN		*	L6974			81		0782 0782					99552	3.46 3.47
AA78014 AA78024		A/C PREWIRE HARN INSTL		*	L7362			81		0782 0782					99553	3.49 3.50
AA80014		LABEL LOC		*	L6653					0782					99570	3.52
AA81014 AA81024		CORO BOX DRN HSE INSTL/CORILL		*	MD13065			81		0782 0782					99500	3.54 3.55
AA82014		LH SI INTR TR		*	L6797			81APN		0784					99571	3.57
AA83014		A/C HARN INSTL		*	L6931			PICNL		0702					99555	3.59
AA84014		RR A/C WRG INSTL		*	L7460			81CNV/UNR		0702					99567	4.2
AA85014		RECEPTACLE		*	L6933			81KNC		0784					99563	4.4
AA87014		M/G COVER INSTL		*	L7852			KNC		0782					99575	4.6 4.7
AA89014 AA89024		LH LWR CENTRAL 110V HARN		*	L6899			81		0782 0782					99514	4.9 4.10
AA90014 AA90024		RH & LH FWD 110V HARN		*	L9567			81		0782 0782					99585	4.12 4.13
AA91014		DECAL LOC L/O		*	L4324			81		0782					99586	4.15
AA92014 AA92024 AA92034		ELEC EQUIP REFRIG MODULE DRILL&CUT INST		*	L6656			81		0784 0784 0784					99501	4.17 4.18 4.19
AA93014 AA93024 AA93034		ELEC EQUIP WARDROBE MODULE ELEC		*	L6657			81		0784 0784 0784					99502	4.21 4.22 4.23

ZE065R1

MODEL YEAR 1978
ORIGIN DATE 770719
LAST CHG. DATE 771003
LAST CHG. CODE CORR.

MODEL APPLICATION
ELECTRICAL CONVENIENCE ITEMS
UPC DESCRIPTION

70 1K3 A 4
BK U. P. C. 88 PAGE



PRODUCT DESCRIPTION MANUAL

ASSEMBLY INFORMATION

GMT 1061 REV. B/78

GMC TRUCK & COACH

ITEM #	E Q	PART OR TOOL DESCRIPTION	ADD'L DATA	QTY	PART NUMBER	ENGINE CODES	SERIES	BDY BRK	ITEM RESTRICTION	DEPARTMENTS		CHANGE		LOGIC CODE	FUNCTION CODE	ADDITIONAL CODES	LINE NOS
										#1	2/STA	CD	AUTH				
AA94014		ELECT EQUIP		*	L6659			81		0784						99504	4.25
AA94024		BLANKET STOP								0784							4.26
AA94034		MODULE DRILL								0784							4.27
AA94044		& CUT INSTR								0784							4.28
AA95014		HARN&CONV INST		*	L6888			81		0784						99505	4.30
AA96014		HARN INSTL		*	L6890			81		0784						99506	4.32
AA96024		REFRIG 12V 110V								0784							4.33
AA97014		STOVE VENT INSTL		*	L6891			81		0784						99507	4.35
AA98014		FLR LP INSTL		*	L6893			81		0784						99508	4.37
AA99014		READING LP INSTL		*	L6894			81		0784						99509	4.38
AB01014		BATH LP INSTL		*	L6895			81		0784						99510	4.41
AB02014		UNDER CABINET LP INSTL		*	L6896			81		0784						99511	4.43
AB02024										0784							4.44
AB03014		HALLCLH OVERHEAD LP INSTL		*	L6897			81		0784						99512	4.46
AB03024										0784							4.47
AB04014		ELECT EQUIP		*	L6658			81		0784						99503	4.49
AB04024		WARDROBE MODULE								0784							4.50
AB04034		THERM DRIL INSTR								0784							4.51
AB05014		CLIP INSTL		*	L6932			81		0784						99558	4.53
AB06014		HARN INSTL		*	L6973			81KNC		0784						99560	4.55
AB06024		W/C COMPT								0784							4.56
AB07014		WRG INSTL		*	L6889			81KNC		0784						99561	4.58
AB07014		LH CENTRAL		*	L6898			81		0784						99513	5.1
AB07024		110V HARN								0784							5.2
AB08014		LH LWR RR 110V		*	L6934			81		0784						99516	5.4
AB08024		HARN INSTL								0784							5.5
AB09014		RR 110V HARN		*	L6935			81		0784						99518	5.7
AB09024		INSTL								0784							5.8
AB10014		LH UPR 110V HARN		*	L6936			81		0784						99520	5.10
AB10024		INSTL								0784							5.11
AB11014		RH CENTRAL 110V		*	L6937			81		0784						99521	5.13
AB11024		HARN INSTL								0784							5.14

1																		
2																		
3																		
4																		
5																		
F.M.V.S.E.																		

2E06581

MODEL APPLICATION
ELECTRICAL CONVENIENCE ITEMS

UPC DESCRIPTION

MODEL YEAR 1978
ORIGIN DATE 770719
LAST CHG. DATE 771003
LAST CHG. CODE CDR

70 1K3 A 5
BK. U. P. C. 997 PAGE

PRODUCT DESCRIPTION MANUAL

ASSEMBLY INFORMATION

GMT 1061 REV. 8/78

GENC TRUCK & COACH

ITEM	S E Q	PART OR TOOL DESCRIPTION	ADD'L DATA	QTY	PART NUMBER	ENGINE CODES	SERIES	BODY BRK	ITEM RESTRICTION	DEPARTMENTS		CHANGE		LOGIC CODE	FUNCTION CODE	ADDITIONAL CODES	PNA	LINE NOS
										#1	2/STA	CD	AUTH					
AB12014		WAT HTR 110V		*	L6938					0784							99522	5.16
AB12024		U/BOX INSTL								0784								5.17
AB13014		WAT HTR 110V		*	L6939					0784							99523	5.19
AB13024		HARN INSTL								0784								5.20
AB14014		TYP 110V RECEPT		*	L6940					0784							99524	5.22
AB14024		INSTL								0784								5.23
AB15014		HALL CEILING		*	L6941					0784							99525	5.25
AB15024		RECEPTACLE								0784								5.26
AB15034		HARN INSTL								0784								5.27
AB16014		TYP 110V		*	L6942					0784							99526	5.29
AB16024		RECEPTACLE								0784								5.30
AB17014		110V CIRC BRKR		*	L6943					0784							99527	5.32
AB17024		PNL INST								0784								5.33
AB18014		LH UPR FWD		*	L6944					0784							99528	5.35
AB18024		12V HARN INSTL								0784								5.36
AB19014		LH UPR CENTRAL		*	L6945					0784							99529	5.38
AB19024		12V HARN INSTL								0784								5.39
AB21014		LH RR UPR		*	L6947					0784							99531	5.41
AB21024		12V HARN								0784								5.42
AB22014		LH LWR FWD		*	L6948					0784							99532	5.44
AB22024		12V HARN								0784								5.45
AB23014		LH LWR CENTRAL		*	L6949					0784							99533	5.47
AB23024		12V HARN								0784								5.48
AB24014		LH LWR RR		*	L6950					0784							99534	5.50
AB24024		12V HARN								0784								5.51
AB25014		C/LP SW YYP		*	L6951					0784							99535	5.53
AB25024		12V HARN								0784								5.54
AB26014		RF CTR 12V HARN		*	L6952					0784							99536	5.56
AB26024		INSTL								0784								5.57
AA27014		RH VER CENT		*	L6953					0784							99537	5.59
AA27024		12V HARN								0784								6.1
AA28014		RH FWD 12V		*	L6954					0784							00538	6.3
AA28024		HARN INST								0784								6.4

ZE06581

MODEL YEAR 1978
 ORIGIN DATE 770719
 LAST CHG DATE 771003
 LAST CHG CODE CORR.
 70 1K3 A 6
 BK V. P. C. GMP PAGE

MODEL APPLICATION
 ELECTRICAL CONVENIENCE ITEMS
 UPC DESCRIPTION

REFERENCE

F M V S S

PRODUCT DESCRIPTION MANUAL

ASSEMBLY INFORMATION

GMT 1061 REV. 8/78



ITEM	QTY	PART OR TOOL DESCRIPTION	ADD'L DATA	QTY	PART NUMBER	ENGINE CODES	SERIES	BOY BRK	ITEM RESTRICTION	DEPARTMENTS		CHANGE CD	LOGIC CODE	FUNCTION CODE	ADDITIONAL CODES	LINE NOS
										#1	#2 STA					
AB49014		CORD BOX DRN HSE		*	M213065			81		0784					99500	6.55
AR49024		INST & DRILL								0784						6.56
AB48014		LH LWR CENTRAL		*	L6899			81		0784					99514	6.58
AR48024		110V HARN								0784						6.59
AB49014		RH & LH FWD		*	L9567			81		0784					99585	7.2
AB49024		110V HARN								0784						7.3
AB50014		DECAL LOC L/O		*	L4324			81		0784					99586	7.5
AB51014		ELEC EQUIP		*	L6656			81		0786					99501	7.7
AB51024		REFRIG MODULE								0786						7.8
AB51034		DRILL&CUT INST								0786						7.9
AA52014		ELEC EQUIP		*	L6657			81		0786					99502	7.11
AA52024		WARDROBE MODULE								0786						7.12
AA52034		ELFC								0786						7.13
AA53014		ELECT EQUIP		*	L6659			81		0786					99504	7.15
AR53024		BLANKET STOP								0786						7.16
AB53034		MODULE DRILL								0786						7.17
AB53044		& CUT INSTR								0786						7.18
AB54014		HARN&CONV INST		*	L6888			81		0786					99505	7.20
AB55014		HARN INSTL		*	L6890			81		0786					99506	7.22
AB55024		REFRIG 12V 110V								0786						7.23
AB56014		STOVE VENT INSTL		*	L6897			81		0786					99507	7.25
AB57014		FLR LP INSTL		*	L6893			81		0786					99508	7.27
AB58014		READING LP INSTL		*	L6894			81		0786					99509	7.29
AB59014		BATH LP INSTL		*	L6895			81		0786					99510	7.31
AB60014		UNDER CABINET		*	L6896			81		0786					99511	7.33
AB60024		LP INSTL								0786						7.34
AB61014		HALL&LH OVERHEAD		*	L6897			81		0786					99512	7.36
AB61024		LP INSTL								0786						7.37

1		ZE06581	MODEL YEAR 1978
2			ORIGIN DATE 770719
3			LAST CHG DATE 771003
4			LAST CHG CODE CORR
5			70 1K3 A 8
6			BK U. P. C. 9PP PAGE
F.M.V.S.S.	REFERENCE	MODEL APPLICATION ELECTRICAL CONVENIENCE ITEMS UPC DESCRIPTION	

ITEM	S E	PART OR TOOL DESCRIPTION	ADD'L DATA	QTY	PART NUMBER	ENGINE CODES	PRIOR PARTS	BODY GROUP	ITEM RESTRICTION	DEPARTMENT	CHARGE	LOGIC	FUNCTION	ADDITIONAL	LINE NO.
										ST	LD	LD	LD	CODES	
AB62014		ELECT EQUIP		*	L6658			81		0786				99503	7.39
AB62024		HARDROBE MODULE								0786					7.40
AB62034		THERM DRIL INSTR								0786					7.41
AB63014		LH CENTRAL		*	L6898			81		0786				99513	7.43
AB63024		110V HARN								0786					7.44
AB64014		LH LHR RR 110V		*	L6934			81		0786				99518	7.46
AB64024		HARN INSTL								0786					7.47
AB64014		RR 110V HARN		*	L6935			81		0786				99519	7.49
AB64024		INSTL								0786					7.50
AB65014		LH UPR 110V HARN		*	L6936			81		0786				99520	7.52
AB65024		INSTL								0786					7.53
AB66014		RH CENTRAL 110V		*	L6937			81		0786				99521	7.55
AB66024		HARN INSTL								0786					7.56
AB67014		WAT HTR 110V		*	L6938			81		0786				99522	7.58
AB67024		U/BOX INSTL								0786					7.59
AB68014		WAT HTR 110V		*	L6939			81		0786				99523	8.2
AB68024		HARN INSTL								0786					8.3
AB69014		TYP 110V RECEPT		*	L6940			81		0786				99524	8.5
AB69024		INSTL								0786					8.6
AB70014		HALL CEILING		*	L6941			81		0786				99525	8.8
AB70024		RECEPTACLE								0786					8.9
AB70034		HARN INSTL								0786					8.10
AB71014		TYP 110V		*	L6942			81		0786				99526	8.12
AB71024		RECEPTACLE								0786					8.13
AB72014		110V CIRC BRKR		*	L6943			81		0786				99527	8.15
AB72024		PNL INST								0786					8.16
AB73014		LH UPR FWD		*	L6944			81		0786				99528	8.18
AB73024		12V HARN INSTL								0786					8.19
AB74014		LH UPR CENTRAL		*	L6945			81		0786				99529	8.21
AB74024		12V HARN INSTL								0786					8.22
AB76014		LH RR UPR		*	L6947			81		0786				99531	8.24
AB76024		12V HARN								0786					8.25

P M V S S	ZE06581										MODEL YEAR 1978	
	MODEL APPLICATION ELECTRICAL CONVENIENCE ITEMS										ORIGIN DATE 770719	
REPLACEMENT										LAST CHG DATE 771020		
LINE DESCRIPTION										LAST CHG CODE CORR.		
										70 1K3 A 9		
										BK U P C GRP PAGE		

ITEM	PART OR TOOL DESCRIPTION	ADD'L DATA	QTY	PART NUMBER	A/O	ENGINE CODES	SERIES	BOX BRN	ITEM RESTRICTION	DEPARTMENTS		CHANGE		LOGIC CODE	FUNCTION CODE	ADDITIONAL CODES	LINE NOS
										#1	2/STA	CD	AUTH				
AB77014 AB77024	LH LHR FWD 12V HARN		*	L6948				81		0786 0786						99532	8.27 8.28
AB78014 AB78024	LH LHR CENTRAL 12V HARN		*	L6949				81		0786 0786						99533	8.30 8.31
AB79014 AB79024	LH LHR RR 12V HARN		*	L6950				81		0786 0786						99534	8.33 8.34
AB80014 AB80024	C/LP SW TUP 12V HARN		*	L6951				81		0786 0786						99535	8.36 8.37
AB81014 AB81024	RF CYR 12V HARN INSTL		*	L6952				81		0786 0786						99536	8.39 8.40
AB82014 AB82024	RH VER CENT 12V HARN		*	L6953				81		0786 0786						99537	8.42 8.43
AB83014 AB83024	RH FWD 12V HARN INST		*	L6954				81		0786 0786						99538	8.45 8.46
AB84014 AB84024	RH UPR RR 12V HARN INSTL		*	L6955				81		0786 0786						99539	8.48 8.49
AB85014 AB85024	RH LWR CENT 12V HARN INSTL		*	L6956				81		0786 0786						99540	8.51 8.52
AB86014 AB86024	RH LWR RR 12V HARN		*	L6957				81		0786 0786						99541	8.54 8.55
AB87014 AB87024	LPG COMPY 12V HARN INSTL		*	L6958				81		0786 0786						99542	8.57 8.58
AB88014 AB88024 AB88034	RH RR W/PUMP BREAK 12V HARN INSTL		*	L6950				81		0786 0786 0786						99543	9.1 9.2 9.3
AB89014 AB89024	WAT TR SENDER 12V HARN INSTL		*	L6960				81		0786 0786						99544	9.5 9.6
AB90014 AB90024	STOVE 12V HARN INSTL		*	L6962				81		0786 0786						99546	9.8 9.9
AB91014 AB91024	REFRIG MODULE 12V HARN INSTL		*	L6963				81		0786 0786						99547	9.11 9.12
AB92014 AB92024	REFRIG MODULE 12V HARN INSTL		*	L6967				81		0786 0786						99547	9.14 9.15

1																		
2																		
3																		
4																		
5																		
F.M.V.S.S.	REFERENCE								7E06581									MODEL YEAR 1978 ORIGIN DATE 770719 LAST CHG. DATE 771003 LAST CHG. CODE ORR
									MODEL APPLICATION ELECTRICAL CONVENIENCE ITEMS UPC DESCRIPTION									70 1K3 A 10 BR V. P. C. RT PAGE

PRODUCT DESCRIPTION MANUAL
ASSEMBLY INFORMATION

ITEM	PART OR TOOL DESCRIPTION	ADD'L DATA	QTY	PART NUMBER	ENGINE CODES	SERIES	REV	ITEM RESTRICTION	DEPARTMENTS		CHANGE		LOGIC CODE	FUNCTION CODE	ADDITIONAL CODES	LINE NOS
									#1	2/3TA	CD	AUTH				
AC11014	110V VENT INSTL		*	L6891			81		0704						99501	10.1
AC12014	FLR LP INSTL		*	L6893			81		0704						99502	10.2
AC13014	READING LP INSTL		*	L6894			81		0704						99503	10.3
AC14014	BATH LP INSTL		*	L6895			81		0704						99510	10.13
AC15014	UNDER CABINET LP INSTL		*	L6896			81		0704						99511	10.15
AC15024									0704							10.16
AC16014	HALL&LH OVERHEAD LP INSTL		*	L6897			81		0704						99512	10.18
AC16024									0704							10.19
AC17014	ELECT EQUIP		*	L6658			81		0704						99503	10.21
AC17024	WARDROBE MODULE								0704							10.22
AC17034	THERM DRIL INSTR								0704							10.23
AC21014	LH CENTRAL 110V HARN		*	L6898			81		0704						99513	10.25
AC21024									0704							10.26
AC22014	LH LWR RR 110V HARN INSTL		*	L6934			81		0704						99518	10.28
AC22024									0704							10.29
AC23014	RR 110V HARN INSTL		*	L6935			81		0704						99519	10.31
AC23024									0704							10.32
AC24014	LH UPR 110V HARN INSTL		*	L6936			81		0704						99520	10.34
AC24024									0704							10.35
AC25014	RH CENTRAL 110V HARN INSTL		*	L6937			81		0704						99521	10.37
AC25024									0704							10.38
AC26014	WAT HTR 110V U/BOX INSTL		*	L6938			81		0704						99522	10.40
AC26024									0704							10.41
AC27014	WAT HTR 110V HARN INSTL		*	L6939			81		0704						99523	10.43
AC27024									0704							10.44
AC28014	TYP 110V RECEPT INSTL		*	L6940			81		0704						99524	10.46
AC28024									0704							10.47

1 2 3 4 5	ZE06581										MODEL YEAR 1978 ORIGIN DATE 770719 LAST CHG DATE 771003 LAST CHG CODE 000					
	MODEL APPLICATION ELECTRICAL CONVENIENCE ITEMS										70 1K3 A 12 BK U. P. G. 998 PAGE					
	UPC DESCRIPTION															



PRODUCT DESCRIPTION MANUAL

ASSEMBLY INFORMATION

GMT 1061 REV. 5/78

GENE TORRICK & COMPANY

ITEM	QTY	PART OR TOOL DESCRIPTION	ADD'L DATA	QTY	PART NUMBER	ENGINE CODES	SERIES	BOY BPN	ITEM RESTRICTION	DEPARTMENTS		CHANGE		LOGIC CODE	FUNCTION CODE	ADDITIONAL CODES	FNA	LINE NOS
										#1	2/STA	CD	AUTH					
AC29014		HALL CEILING		*	L6941			81		0704							99525	10.49
AC29024		RECEPTACLE								0704								10.50
AC29034		HARN INSTL								0704								10.51
AC30014		TYP 110V		*	L6942			81		0704							99526	10.53
AC30024		RECEPTACLE								0704								10.54
AC31014		110V CIRC BRKR		*	L6943			81		0704							99527	10.56
AC31024		PNL INST								0704								10.57
AC32014		LH UPR FWD		*	L6944			81		0704							99528	10.59
AC32024		12V HARN INSTL								0704								11.1
AC33014		LH UPR CENTRAL		*	L6945			81		0704							99529	11.3
AC33024		12V HARN INSTL								0704								11.4
AC35014		LH RR UPR		*	L6947			81		0704							99531	11.6
AC35024		12V HARN								0704								11.7
AC36014		LH LWR FWD		*	L6948			81		0704							99532	11.9
AC36024		12V HARN								0704								11.10
AC37014		LH LWR CENTRAL		*	L6949			81		0704							99533	11.12
AC37024		12V HARN								0704								11.13
AC38014		LH LWR RR		*	L6950			81		0704							99534	11.15
AC38024		12V HARN								0704								11.16
AC39014		CZLP SW TYP		*	L6951			81		0704							99535	11.18
AC39024		12V HARN								0704								11.19
AC40014		RF CYR 12V HARN		*	L6952			81		0704							99536	11.21
AC40024		INSTL								0704								11.22
AC41014		RH VFR CENT		*	L6953			81		0704							99537	11.24
AC41024		12V HARN								0704								11.25
AC42014		RH FWD 12V		*	L6954			81		0704							99538	11.27
AC42024		HARN INST								0704								11.28
AC43014		RH UPR RR 12V		*	L6955			81		0704							99539	11.30
AC43024		HARN INSTL								0704								11.31
AC44014		RH LWR CENT		*	L6956			81		0704							99540	11.33
AC44024		12V HARN INSTL								0704								11.34

1 2 3 4 5	2E06581										MODEL YEAR 1978			
											ORIGIN DATE 770719			
											LAST CHG. DATE 771003			
											LAST CHG. CODE CORR			
											70 1K3 A 13			
F.M.V.B.B. REFERENCE										BK V. P. G. 92C PAGE				
MODEL APPLICATION														
ELECTRICAL CONVENIENCE ITEMS														
UPC DESCRIPTION														



PRODUCT DESCRIPTION MANUAL
ASSEMBLY INFORMATION

ITEM	QTY	PART OR TOOL DESCRIPTION	ADD'L DATA	QTY	PART NUMBER	ENGINE CODES	SERIES	BOY BHM	ITEM RESTRICTION	DEPARTMENTS		CHANGE		LOGIC CODE	FUNCTION CODE	ADDITIONAL CODES	LINE NOS
										#1	2/STA	CD	AUTH				
AC45014		RH LWR RR 12V		*	L6957			81		0704						99541	11.36
AC45024		HARN								0704							11.37
AC46014		LPG COMPT 12V		*	L6958			81		0704						99542	11.39
AC46024		HARN INSTL								0704							11.40
AC47014		RH RR W/PUMP		*	L6959			81		0704						99543	11.42
AC47024		BREAK 12V HARN								0704							11.43
AC47034		INSTL								0704							11.44
AC48014		WAT TK SENDER		*	L6960			81		0704						99544	11.46
AC48024		12V HARN INSTL								0704							11.47
AC81014		STOVE 12V HARN		*	L6962			81		0704						99546	11.49
AC81024		INSTL								0704							11.50
AC82014		REFRIG MODULE		*	L6963			81		0704						99547	11.52
AC82024		12V HARN INSTL								0704							11.53
AC83014		REFRIG MODULE		*	L6967			81		0704						99547	11.56
AC83024		12V HARN INSTL								0704							11.57
AC84014		MONITOR PNL 12V		*	L6964			81		0704						99548	11.59
AC84024		HARN INSTL								0704							12.1
AC85014		SW PNL 12V HARN		*	L6965			81		0704						99549	12.3
AC85024		INSTL								0704							12.4
AC86014		THERM 12V HARN		*	L6968			81		0704						99550	12.6
AC86024		INSTL								0704							12.7
AC87014		RR FLR LP 12V		*	L6969			81		0704						99551	12.9
AC87024		HARN INSTL								0704							12.10
AC88014		MTR GEN COMPT		*	L6974			81		0704						99552	12.12
AC88024		RR 12V HARN								0704							12.13
AC89014		A/C PREWIRE		*	L7362			81		0704						99553	12.15
AC89024		HARN INSTL								0704							12.16
AC90014		LABEL LOC		*	L6653					0704						99570	12.18
AC91014		CORD BOX DRN HSE		*	MD13065			81		0704						99500	12.20
AC91024		INSTLDRILL								0704							12.21
AC92014		A/C HARN INSTL		*	L6931			RTCNL		0704						99555	12.23
AC93014		RR A/C WRG INSTL		*	L7460			81CNV/UNR		0704						99567	12.25

1 2 3 4 5 F.M.V.S.B.	2F06581										MODEL YEAR 1978	
											ORIGIN DATE 770719	
											LAST CHG. DATE 771003	
											LAST CHG. CODE CORR.	
											70 1K3 A 14	
REFERENCE										85 U. P. G. 997 PAGE		
MODEL APPLICATION										ELECTRICAL CONVENIENCE ITEMS		
UPC DESCRIPTION												



PRODUCT DESCRIPTION MANUAL

ASSEMBLY INFORMATION

ITEM	PART OR TOOL DESCRIPTION	ADD'L DATA	QTY	PART NUMBER	ENGINE CODES	SERIES	BODY BRK	ITEM RESTRICTION	DEPARTMENT		CHANGE		LOGIC CODE	FUNCTION CODE	ADDITIONAL CODES	LINE NOS
									#1	2/STA	CD	AUTH				
0130AA	HARN ASM BAT		1	12000234			81		0782	41			0000	410087	M00130	13.17
0140AA	BOLT GRD HARN		1	180122			81		0782	41					M00132	13.19
0150AA	WASHER		2	138542			81		0782	41					M00134	13.21
0168AA	NUT		2	120377			81		0782	41					M00136	13.23
0180AA	BREAKER ASM		1	2301786			81		0782	41		0000	410090	M00140	13.25	
0190AA	SCREW		2	9414726			81		0782	41					M00142	13.27
0200AA	SWITCH ASM		1	2257158			81		0782	41		0000	410095	M00145	13.29	
0210AA	SCREW		2	9416843			81		0782	41					M00147	13.31
0230AA	BLOCK		1	2008344			81		0782	41		0000	410100	M00150	13.33	
0235AA	RIVET		2	700368			81		0782	41				M00151	13.35	
0240AA	BLOCK ASM		1	790868			81		0782	41		0000	410105	M00155	13.37	
0250AA	SCREW		2	9414722			81		0784	69					M00157	13.39
0260AA	FUSE AUX BLK		6	9426333			81		0782	41		0000	410110	M00160	13.41	
0270AA	NUT AUX BLK		7	120367			81		0782	41					M00165	13.43
0280AA	NUT AUX BLK		1	124818			81		0782	41					M00169	13.45
0290AA	LABEL		1	2008688			81		0786	84		0000	845005	M00180	13.47	
0300AA	CONVERTER ASM		1	790315			81		0784	69		0000	695005	M00400	13.49	
0310AA	BOLT CHRQ FRT		2	9419010			81		0784	69					M00410	13.51
0320AA	WASHER		2	103319			81		0784	69					M00412	13.53
0330AA	BOLT		2	9418994			81		0784	69					M00420	13.55
0340AA	WASHER		2	103321			81		0784	69					M00422	13.57
0350AA	SPACER FRY		1	7901P1			81		0784	69		0000	695010	M00425	13.59	
0360AA	SPACER RR		1	7901P2			81		0784	69		0000	695015	M00430	14.2	
0370AA	MOUNT ASM		2	792175			81		0784	67		0000	675005	M00435	14.4	
0380AA	MOUNT ASM		2	792176			81		0784	67		0000	675010	M00440	14.6	

1 2 3 4 5	F.M.V.S.B.	REFERENCE	7E06581	MODEL YEAR 1978
			MODEL APPLICATION ELECTRICAL CONVENIENCE ITEMS	ORIGIN DATE 770719 LAST CHG. DATE 771003 LAST CHG. CODE CORR.
			UPC DESCRIPTION	70 1K3 A 16 BK. V. P. G. SEE PAGE

ASSEMBLY INFORMATION

ITEM	PART OR TOOL DESCRIPTION	ADD'L DATA	QTY	PART NUMBER	ENGINE CODES	SERIES	REV	ITEM RESTRICTION	DEPARTMENTS		CHANGE		LOGIC CODE	FUNCTION CODE	ADDITIONAL CODES	LINE NOS
									#1	2/STA	CD	AUTH				
0390AA	SCREW		16	9414721			81		0784	67					00442	14.28
0400AA	SCREW		1	9418235			81		0784	69					00456	14.30
0410AA	WASHER		1	120423			81		0784	69					00447	14.32
0420AA	MONITOR ASM		1	8985038			81		0784	69		0000695020			M00450	14.34
0424AA	INSERT LP THD		2	791840			81		0786	78		0000785020			M00710	14.36
0430AA	SCREW		2	9417303			81		0786	78					00715	14.38
0440AA	LAMP ASM		1	791142			81		0786	78		0000785025			M00720	14.30
0442AA	LAMP ASM		1	2000974			81		0786	78		0000785030			M00600	14.22
0445AA	INSERT		4	791840			81		0786	78		0000785035			M00610	14.24
0448AA	SCREW		4	9417303			81		0786	78					00620	14.26
0450AA	NUY HALL OP SPR		2	9431531			81		0784	61					00722	14.28
0460AA	SCR HALL LP		2	9414723			81		0786	78					00724	14.30
0470AA	LAMP ASM RD		2	791703			81		0786	78		0000785040			M00725	14.32
0480AA	LAMP ASM FLR		2	791155			81		0784	67		0000675015			M00730	14.34
0490AA	LAMP ASM CTSY		2	791143			81		0782	41		0000410115			M00740	14.36
0495AA	LAMP ASM GALLEY		1	2000975			81		0784	78		0000785045			M00700	14.38
0500AA	SCREW C/LP		4	159704			81		0782	41					00742	14.40
0505AA	NUY		4	791804			81		0782	41					00744	14.42
0510AA	SEALER		1	9985041			81		0782	41					00745	14.44
0515AA	WASHER GROWR		2	138530			81		0782	41					00755	14.46
0517AA	NUY GROWR		2	120622			81		0782	41					00750	14.48
0520AA	LAMP ASM BATH		2	790832			81		0784	67		0000675020			M00800	14.50
0530AA	INSERT		6	791840			81		0784	67		0000675025			M00810	14.52
0540AA	SCREW		6	9417303			81		0784	67					00812	14.54
0550AA	SWITCH ASM		2	790344			81		0782	41		0000410120			M00900	14.56

1																
2																
3																
4																
5																
F.M.V.S.E.																

ZEO65H1

MODEL YEAR IS 78
 ORIGIN DATE 770719
 LAST CHG. DATE 771003
 LAST CHG. CODE CORR.
 70 IK3 A 17
 BK. V. P. C. 87 PAGE

MODEL APPLICATION
 ELECTRICAL CONVENIENCE ITEMS
 UPC DESCRIPTION

REFERENCE

PRODUCT DESCRIPTION MANUAL

ASSEMBLY INFORMATION

ITEM E Q	PART OR TOOL DESCRIPTION	ADD'L DATA	Q T Y	PART NUMBER	ENGINE CODE	SERIES	REV OR S M	ITEM RESTRICTION	DEPARTMENTS		CHANGE		LOGIC CODE	FUNCTION CODE	ADDITIONAL CODES	LINE NOS
									#1	2/STA	CD	AUTH				
0570AA	PANEL ASM LT SW		1	790345			81		0784	67			0000675030		M00915	14.59
0580AA	SCREW PNL		4	9420686			81		0784	67					00920	15.2
0590AA	HARNESS LGT&FAN		1	12000934			81		0782	41			0000410125		M01000	15.4
0600AA	SCREW		13	9418235			81		0782	41					01010	15.6
0610AA	SCREW		1	9416843			81		0782	41					01010	15.8
0620AA	WASHER		14	120392			81		0782	41					01015	15.10
0630AA	CLIP		2	708513			81		0782	41			0000410130		M01020	15.12
0640AA	PAN WRAP		1	657558			81		0782	41			0000410135		M01025	15.14
0650AA	TAPE		4	R35089			81		0782	41					01030	15.16
0660AA	HARNESS SW&FAN		1	12000838			81		0782	41			0000410140		M01100	15.18
0670AA	SCREW		12	9418235			81		0782	41					01110	15.19
0680AA	SCREW		1	9416843			81		0782	41						15.20
0690AA	WASHER		13	120392			81		0782	41					01112	15.24
0700AA	TAPE		4	R35089			81		0782	41					01115	15.26
0710AA	HARNESS FUR&MTR		1	12002616			81		0782	41			0000410145		M01200	15.28
0720AA	SCREW		9	9418235			81		0782	41					01210	15.30
0730AA	SCREW		1	9416844			81		0782	41					01210	15.32
0740AA	SCREW		1	9414722			81		0784	66					01210	15.34
0760AA	WASHER		10	120392			81		0782	41					01215	15.36
0780AA	HARNESS RF RRIG		1	12002617			81		0782	41			0000410150		M01300	15.38
0790AA	CLIP		1	674904			81		0782	41			0000410155		M01305	15.40
0800AA	SCREW		8	9418235			81		0782	41					01310	15.42
0810AA	SCREW		4	9416844			81		0782	41					01310	15.44
0820AA	SCREW		1	9416843			81		0782	41					01310	15.46

1 2 3 4 5 6 7 8 9 10 11 12 13 14 15 16 17 18 19 20 21 22 23 24 25 26 27 28 29 30 31 32 33 34 35 36 37 38 39 40 41 42 43 44 45 46 47 48 49 50 51 52 53 54 55 56 57 58 59 60 61 62 63 64 65 66 67 68 69 70 71 72 73 74 75 76 77 78 79 80 81 82 83 84 85 86 87 88 89 90 91 92 93 94 95 96 97 98 99 100	2E06501										MODEL YEAR 1978	
											ORIGIN DATE 770719	
											LAST CHG. DATE 771003	
										LAST CHG. CODE CORR.		
										70 1K3 A 18		
										BK U. P. G. 987 PAGE		
F.M.V.S.S.										REFERENCE		
										MODEL APPLICATION		
										ELECTRICAL CONVENIENCE ITEMS		
										UPC DESCRIPTION		

PRODUCT DESCRIPTION MANUAL

ASSEMBLY INFORMATION

OMT 1001 REV. 8/78

CUMMINS TRUCK & COACH

ITEM #	PART OR TOOL DESCRIPTION	ADD'L DATA	QTY	PART NUMBER	ENGINE CODES	SERIES	REV	ITEM RESTRICTION	DEPARTMENTS		CHANGE		LOGIC CODE	FUNCTION CODE	ADDITIONAL CODES	LINE NO.
									#1	2/STA	CD	AUTH				
0830AA	SCREW		1	9416149			81		0782	41						15.48
0840AA	WASHER		13	120392			81		0782	41						15.50
0850AA	WASHER		1	121801			81		0782	41						15.52
0860AA	WASHER		1	446161			81		0782	41						15.54
0870AA	NUT		1	120614			81		0782	41						15.56
0880AA	HARNES MONITOR		1	1200081			81		0784	67		0000	675035			15.58
0890AA	SCREW		2	9416843			81		0784	67						16.0
0900AA	WASHER		2	120392			81		0784	67						16.03
0910AA	SENDER ASM		1	6429594			81		0784	70		0000	705005			16.05
0920AA	GASKET		1	6429637			81		0784	70		0000	705010			16.07
0930AA	WASHER		5	121801			81		0784	70						16.09
0940AA	NUT		5	9417265			81		0784	70						16.11
0945AA	HARN ASM 110V		1	2000280			81	-APN/CNV/UNL/UNR/UND/695	0704	13	CORR	0228	130005	M		16.13
0945AB	HARN ASM 110V		1	799088			81	APN-UNL/CNV/UNR/UND	0704	13		3618	130005	M		16.14
0945AC	HARN ASM 110V		1	799088			81	APN&CNV-UNL/UND/UNR	0704	13		6574	130005	M		16.15
0945AD	HARN ASM 110V		1	799090			81	APN&UNL-CNV/UND/UNR	0704	13		3620	130005	M		16.16
0945AE	HARN ASM 110V		1	799091			81	APN&CNV&UNL-UND/UNR	0704	13		6577	130005	M		16.17
0945AF	HARN ASM 110V		1	797889			81	CNV/UNR-APN/UNL/UND	0704	13		3622	130005	M		16.19
0945AG	HARN ASM 110V		1	799087			81	UNL-APN/CNV/UNR/UND	0704	13		3624	130005	M		16.19
0945AH	HARN ASM 110V		1	799089			81	UNL&CNV-APN/UND/UNR	0704	13		6579	130005	M		16.20
0945AJ	HARN ASM 110V		1	2026855			81	685-APN/APP	0704	13		1397	130005	M		16.21
0945AK	HARN ASM 110V		1	2026852			81	UND-APN/CNV/UNL/UNR	0704	13		0229	130005	M		16.22
0945AL	HARN ASM 110V		1	2026853			81	UND&UNR-APN/CNV/UNR	0704	13		0230	130005	M		16.23
0945AM	HARN ASM 110V		1	2026853			81	UND&CNV-APN/UNL/UNR	0704	13		0235	130005	M		16.24
0945AN	HARN ASM 110V		1	2026854			81	UND&APN&CNV-UNL/UNR	0704	13		0241	130005	M		16.25
0945AO	HARN ASM 110V		1	2026854			81	UND&APN&UNR-CNV/UNL	0704	13		0246	130005	M		16.26
0945AP	HARN ASM 110V		1	2026855			81	UND&CNV&UNL-APN/UNR	0704	13		0248	130005	M		16.27
0945AQ	HARN ASM 110V		1	2026855			81	UND&UNL&UNR-APN/CNV	0704	13		0249	130005	M		16.28
0945AS	HARN ASM 110V		1	2026856			81	UND&APN&UNL-UNR	0704	13		0253	130005	M		16.29
0945AT	HARN ASM 110V		1	2026856			81	UND&APN&UNL&UNR-CNV	0704	13		0254	130005	M		16.30
0945AU	HARN ASM 110V		1	2026857			81	UND&APN-CNV/UNL/UNR	0704	13		0259	130005	M		16.31
0945AV	HARN ASM 110V		1	2026859			81	UND&APN&UNL-CNV/UNR	0704	13		0260	130005	M		16.32
0945AW	HARN ASM 110V		1	2026860			81	UND&UNL-APN/CNV/UNR	0704	13		0262	130005	M		16.33
0945AX	HARN ASM 110V		1	799089			81	UNL&UNR-APN/CNV/UND	0704	13		1398	130005	M		16.34
0945BA	HARN ASM 110V		1	799088			81	APN&UNR-CNV/UND/UNL	0704	13		6562	130005	M		16.35
0945BB	HARN ASM 110V		1	799091			81	APN&UNL&UNR-CNV/UND	0704	13		6566	130005	M		16.36
0950AA	GROMMET		18	2489333			81		0704	13						16.38

1		2E06501	
2			
3			
4			
5			
F.M.V.B.B.	REFERENCE	MODEL APPLICATION ELECTRICAL CONVENIENCE ITEMS UPC DESCRIPTION	MODEL YEAR 1978 ORIGIN DATE 770719 LAST CHG. DATE 771003 LAST CHG. CODE CORR 70 1K3 A 19 BK. V. P. G. 9th PAGE

PRODUCT DESCRIPTION MANUAL

ASSEMBLY INFORMATION

QMT 1081 REV. 8/78

GM TRUCK & COACH

ITEM	SEQ	PART OR TOOL DESCRIPTION	ADD'L DATA	QTY	PART NUMBER	ENGINE CODES	SERIES	BOV	ITEM RESTRICTION	DEPARTMENTS		CHANGE		LOGIC CODE	FUNCTION CODE	ADDITIONAL CODES	LINE NOS.
										#1	2/STA	CD	AUTH				
0955AA		GROMMET		2	2489333			81	CNV	0704	13						16.41
0955AB		GROMMET		1	2489333			81	UNR	0704	13						16.42
0960AA		GROMMET		1	2003464			81		0704	13						16.44
0970AA		CLIP		4	708513			81		0704	13		0000	130010			16.46
0980AA		CLIP		7	652036			81		0704	13		0000	130015			16.48
0990AA		CLIP		4	674904			81		0704	13		0000	130020			16.50
1000AA		CLIP		3	2381321			81	CNV/UNR	0704	13		3607	130025			16.52
1000AB		CLIP		3	2488391			81	CNV/UNR	0704	13		3608	130025	M		16.53
1010AA		CLIP		2	2381322			81		0704	13		0000	130030			16.55
1020AA		CLIP FRY LH		1	708513			81		0704	13		0000	130035			16.57
1030AA		CLIP FRY RH		1	708513			81		0704	13		0000	130040			16.59
1040AA		SCREW		10	9418235			81		0704	13						17.2
1050AA		SCREW		4	9416843			81		0704	13						17.4
1060AA		WASHER		15	120392			81		0704	13						17.6
1070AA		SCREW		2	9418235			81		0704	13						17.7
1080AA		SCREW		4	9414712			81		0784	67						17.10
1090AA		SCREW		3	456756			81		0784	69						17.12
1100AA		WASHER		3	121801			81		0784	69						17.14
1110AA		NUT		3	120361			81		0784	69						17.16
1120AA		BOX ASM JUNC		1	796334			81	CNV/UNR	0704	13		3627	130045			17.18
1120AB		BOX ASM JUNC		2	796334			81	UNR	0704	13		3626	130045	M		17.19
1130AA		SPCR J/BOX MTG		2	2418710			81	CNV/UNR	0704	13		3627	130050			17.20
1130AB		SPCR J/BOX MTG		4	2418710			81	UNR	0704	13		3626	130050	M		17.21
1140AA		SCREW		2	9416197			81	CNV/UNR	0704	13						17.24
1140AB		SCREW		4	9416197			81	UNR	0704	13						17.25
1150AA		SCREW		1	9416993			81	CNV	0704	13						17.27
1160AA		COVER ASM		1	796335			81	CNV/UNR	0704	13		3627	130060			17.29
1160AB		COVER ASM		2	796335			81	UNR	0704	13		3626	130060	M		17.30

ZE06581

MODEL YEAR 1978
 ORIGIN DATE 770719
 LAST CHG. DATE 771003
 LAST CHG. CODE CORR.

MODEL APPLICATION
 ELECTRICAL CONVENIENCE ITEMS
 UPC DESCRIPTION

70 1K3 A 20
 BK U. P. C. GMP PAGE

ITEM	QTY	PART OR TOOL DESCRIPTION	ADD'L DATA	QTY	PART NUMBER	ENGINE CODES	REVISED	REV	ITEM RESTRICTION	DEPARTMENTS		CHANGE		LOGIC CODE	FUNCTION CODE	ADDITIONAL CODES	LINE NOS.	
										#1	2/STA	CD	AUTH					
1165AA	1	COVER		1	2008300			81		0704	13			0000	130065	M01661	17.32	
1166AA	8	SCREW CVR		8	161375			81		0704	13					01662	17.34	
1170AA	1	WIRING KIT ASM		1	791122			81		0704	13			0000	130070	M01675	17.36	
1180AA	3	PAN WRAP		3	657558			81		0784	65			0000	655040	M01680	17.38	
1190AA	16	SCREW		16	9426489			81		0784	65					01685	17.40	
1200AA	1	SUPT DINET BOX		1	792164			81		0784	65			0000	655045	M01690	17.42	
1210AA	4	SCREW		4	9422459			81		0784	65					01695	17.44	
1220AA	1	BOX ASM		1	2007952			81	-KNC	0782	40			3599	400020	M01700	17.46	
1220AB	1	BOX ASM		1	2007953			81	KNC	0782	40			3495	400020	M	01700	17.47
1230AA	17	SCREW		17	9416197			81		0782	40					01710	17.49	
1234AA	1	SCREW		1	2006657			81		0782	40					01710	17.51	
1240AA	1	GROMMET		1	655522			81		0782	40					01715	17.53	
1250AA	4	SEALER		4	8861024			81		0782	40					01720	17.55	
1260AA	1	TAG WAT HYR SW		1	791687			81		0784	69			0000	695025	M01750	17.57	
1270AA	1	TAG AC ELEC CONN		1	2000059			81		0784	63			0000	635005	M01775	17.59	
1280AA	1	LABEL WARN		1	799874			81		0784	64			0000	645035	M01850	18.2	
1285AB	1	LABEL WARN		1	2016346			81		0784	63			0000	635010	M01760	18.4	
1290AA	1	TAG RANGE		1	791689			81		0784	64			0000	645040	M01800	18.6	
1300AA	1	FUSE AUX BLK		1	9426333			81	ANM	0782	41			3514	410160	M	00160	18.8
1310AA	1	PAN WRAP		1	657558			81	APN	0784	65			3494	655050	M	016	18.10
1320AA	1	BOX ASM		1	799304			81	APN	0784	65			3494	655055	M	02400	18.12
1330AA	4	SCREW		4	9426489			81	APN	0784	65					02425	18.14	
1340AA	1	RECEPTACLE ASM		1	799297			81	APN	0784	65			3494	655060	M	02475	18.16
1350AA	1	PLATE RECEP CVR		1	799302			81	APN	0784	65			3494	655065	M	02480	18.18
1360AA	1	SUPT PNL BLK		1	792164			81	APN	0784	65			3494	655070	M	02490	18.20

1 2 3 4 5	ZE06581										MODEL YEAR IS 78		
											ORIGIN DATE 770719		
											LAST CHG. DATE 771003		
											LAST CHG. CODE CORR.		
REFERENCE										MODEL APPLICATION		70 1K3 A 21	
ELECTRICAL CONVENIENCE ITEMS										UPC DESCRIPTION		BK. V. P. G. 827 PAGE	

PRODUCT DESCRIPTION MANUAL

ASSEMBLY INFORMATION

GMT 1061 REV. 8/78

GEN TRUCK & COACH

ITEM	S E Q	PART OR TOOL DESCRIPTION	ADD'L DATA	QTY	PART NUMBER	ENGINE CODES	SERIES	BOY BRK	ITEM RESTRICTION	DEPARTMENTS		CHANGE CD	AUTH	LOGIC CODE	FUNCTION CODE	ADDITIONAL CODES	LINE NOB.
										#1	2/STA						
1370AA		ADHESIVE		1	8860955					0784	69						02495 18.22
1380AA		RECEPTACLE ASM		1	2004621					0782	40			3613400025	M		02800 18.24
1390AA		CLIP		1	652036					0782	40			3613400030			M02850 18.26
1400AA		SPACER		1	2004967					0782	40			3613400035			M02900 18.28
1410AA		SCREW		2	9425533					0782	40						02950 18.30
1420AA		COVER ASM O/S		1	2004614					0782	40			3613400040	M		03000 18.32
1430AA		MTR GEN		1	2010790					0752	89			3495830019	M		00200 18.34
1440AA		CONTROL ASM		1	791809					0784	67			3495675040	M		00300 18.36
1450AA		HARN M/G BAT		1	12000235					0782	40			3495400049	M		01900 18.38
1450AB		HARN M/G BAT		1	12002615					0782	40			3495400049	M		01900 18.39
1452AA		MEYER M/G HR		1	2028734					0782	41			3495410175	M		18.41
1454AA		SCR MEYER ATCH		3	9425903					0782	41						18.43
1456AA		BRKT MEYER		1	2009110					0782	41			3495410180	M		18.45
1458AA		SCREW		2	9418566					0782	41						18.47
1460AA		WASHER		2	9419892					0782	41						18.49
1462AA		WASHER		2	103319					0782	41						18.51
1464AA		NUT		2	9419912					0782	41						18.53
1466AA		HARN GRD		1	696218					0782	40			3495400050	M		01975 18.55
1470AA		BOLT GRD HARN		1	180122					0782	41						01980 18.57
1480AA		WASHER		2	138542					0782	41						01985 18.59
1490AA		NUT		1	120377					0782	41						01990 19.2
1500AA		HARN 110V M/G		1	2018654					0782	40			3495400055	M		02025 19.4
1510AA		CLIP		3	120530					0704	8			3495080042			M02050 19.6
1520AA		SEALER		1	835174					0782	41						02155 19.8
1530AA		SEALER		1	8461061					0782	41						02155 19.10
1540AA		BRKT HARN CLP		3	791954					0782	41			3495410165	M		02175 19.12
1550AA		RIVET		6	9436024					0782	41						02180 19.14
1560AA		CLIP BRKT		2	120530					0782	41			3495410170			M02200 19.16

ZE06581

MODEL APPLICATION
ELECTRICAL CONVENIENCE ITEMS
UPC DESCRIPTION

MODEL YEAR 1978
ORIGIN DATE 770719
LAST CHG. DATE 771003
LAST CHG. CODE CORR.
70 1K3 A 22
BK M. P. G. 882 PAGE

REFERENCE

F.M.V.B.

PRODUCT DESCRIPTION MANUAL
ASSEMBLY INFORMATION

ITEM	QTY	PART OR TOOL DESCRIPTION	ADD'L DATA	QTY	PART NUMBER	ENGINE CODES	SERIES	BODY PIN	ITEM RESTRICTION	DEPARTMENT		CHANGE		LOGIC CODE	FUNCTION CODE	ADDITIONAL CODES	LINE NOS
										#1	2/STA	CD	AUTH				
1570AA		SCREW		3	456966				81KNC	0782	41						02210 19.28
1580AA		WASHER		3	120392				81KNC	0782	41						02220 19.20
1590AA		NUT		3	1494257				81KNC	0782	41						02230 19.22
1592AA		BATTERY M/G		1	1980400				83KNC	0782	41			3495410185	M		19.23 19.24
1594AA		TRAY M/G BAT		1	2005494				83KNC	0782	41			3495410190	M		19.26
1596AA		SCREW		4	9418901				83KNC	0782	41						19.28
1598AA		RETAINER BAT		1	533308				83KNC	0782	41			3495410195	M	M	19.30
1600AA		BOLT		2	3826708				83KNC	0782	41						19.32
1602AA		WASHER		2	9418304				83KNC	0782	41						19.34
1604AA		NUT		2	142745				83KNC	0782	41						19.36
1606AA		TAC M/G DANGER		1	791685				KNC	0784	63			3495635015	M		02300 19.38

2 3 4 5 6 7 8 9 10 11 12 13 14 15 16 17 18 19 20 21 22 23 24 25 26 27 28 29 30 31 32 33 34 35 36 37 38 39 40 41 42 43 44 45 46 47 48 49 50 51 52 53 54 55 56 57 58 59 60 61 62 63 64 65 66 67 68 69 70 71 72 73 74 75 76 77 78 79 80 81 82 83 84 85 86 87 88 89 90 91 92 93 94 95 96 97 98 99 100	2E08581 MODEL APPLICATION ELECTRICAL CONVENIENCE ITEMS UPC DESCRIPTION	MODEL YEAR 1978 ORIGIN DATE 770719 LAST CHG. DATE 771003 LAST CHG. CODE CORR 70 1K3 A 23 BK U. P. C. 002 (A00)	
	REFERENCES		

ASSEMBLY INFORMATION

ITEM NO	PART OR TOOL DESCRIPTION	ADD'L DATA	QTY	PART NUMBER	ENGINE COPIES	ITEMS	BY BOOK	ITEM DESCRIPTION	QUANTITY	UNIT	PRICE	FUNCTION CODE	ADDITIONAL CODES	DATE	BY	
1210AA	LUB MARK CLIN		*	9985009				KNC	0704	8				19.7.1		
1220AA	PANEL SI CLSK		1	2008174				BLKNC	0704	8	3492	080045	W	19.7.2		
1230AA	RIVET PNL/RKKT		5	700368				BLKNC	0704	8				19.7.3		
1240AA	CRUMMET		1	2261791				BLKNC	0704	0				19.7.4		
1250AA	SLALER		*	9985041				BLKNC	0704	8				19.7.5		
1260AA	RVT SI-UPR PNL		8	700368				BLKNC	0704	0				19.7.6		
1270AA	PLATE, BAT SUPT		1	2008177				BLKNC	0704	8	3492	080054	W	19.7.7		
1280AA	RVT, PLT-SI PGST		3	700368				BLKNC	0704	8				19.7.8		
1290AA	PANEL BAT ACC		1	2008182				BLKNC	0704	8	3492	080050	W	19.7.9		
1300AA	INSULATION		1	2008167				KNC	0704	8	3492	080054	W	19.7.10		
1310AA	RKKT BAT BOX		1	2008178				BLKNC	0702	0	03810	3492	080154	W	19.7.11	
1320AA	SCR BRKTZFLR		3	9421151				BLKNC	0702	0				19.7.12		
1330AA	SCR ASM		4	2015039				BLKNC	0704	8	61240			19.7.13		
1340AA	NUT		4	1494253				BLKNC	0704	8				19.7.14		
1350AA	TAPE ACC PNL		*	8861204				BLKNC	0704	8				19.7.15		
1360AA	SEAL EXCL HOLE		*	9981257				BLKNC	0704	8				19.7.16		
1370AA	VENT BAT ENCL		1	2001029				BLKNC	0704	8	3492	080054	W	19.7.17		
1380AA	HOSE FUEL TILT		1	9438889				KNC	0752	78	3492	780001	W	19.7.18		
1390AA	ELBOW		1	3744155				KNC	0752	78	3492	780010	W	19.7.19		
1400AA	CLAMP HOSE		2	2494772				KNC	0752	78	2495	780014	W	19.7.20		
1410AB	SCR		2	9422232				KNC	0752	78				19.7.21		
1420AB	CLIP		2	3441477				KNC	0752	78	3492	780020	W	19.7.22		
1430AB	COCK FUEL HSE	1/4 IN	*	815041				KNC	0752	78				19.7.23		
1440AB	CLIP FUEL HSE		2	9151100				KNC	0752	78				19.7.24		
1450AB	BOLT CLIP		2	9422332				KNC	0752	78				19.7.25		

5 3 2 1	REFERENCE	7E06581	MODEL APPLICATION	70 1K3 A 24
			ELECTRICAL CONVENIENCE ITEMS	BK U " C. GRP PAGE
			UPC DESCRIPTION	

MODEL YEAR 1975
 ORIGINAL DATE 11/1/75
 LAST CHG DATE 11/10/75
 LAST CHG CODE 1111R
 70 1K3 A 24
 BK U " C. GRP PAGE

NEW MODEL YEAR

PRODUCT DESCRIPTION MANUAL

ASSEMBLY INFORMATION

GMT 1081 REV. 5/79

GM TRUCK & CONVE

IT	PART OR TOOL DESCRIPTION	ADD'L DATA	QTY	PART NUMBER	M O D	ENGINE CODES	SERIES	BOY PPK	ITEM RESTRICTION	DEPARTMENTS		CHANGE		LOGIC CODE	FUNCTION CODE	ADDITI CODES	FNA	LINE NOS
										#1	2/STA	CD	AUTH					
AA01014	LABEL		*	16653					KNC	0752								1.8
AA02014	FUEL HOSE INSTL		*	14311					KNC	0752								1.10
AA04014	MTR GEN BAT&CBL		*	18155					KNC	0752								1.12
AA05014	LUB CHT		*	MD10298					KNC	0752								1.14
AA06014	LABEL		*	16653					KNC	0782								1.16
AA07014	FUEL HOSE INSTL		*	14311					KNC	0782								1.18
AA08014	MTR GEN BAT&CBL		*	18155					KNC	0782								1.20
AA09014	LUB CHT		*	MD10298					KNC	0782								1.22
AA10014	LUB CHT		*	MD10298					KNC	0754								1.24

1 2 3 4 5 6 7 8 9 10 11 12 13 14 15 16 17 18 19 20 21 22 23 24 25 26 27 28 29 30 31 32 33 34 35 36 37 38 39 40 41 42 43 44 45 46 47 48 49 50 51 52 53 54 55 56 57 58 59 60 61 62 63 64 65 66 67 68 69 70 71 72 73 74 75 76 77 78 79 80 81 82 83 84 85 86 87 88 89 90 91 92 93 94 95 96 97 98 99 100																				

ZE06583

MODEL APPLICATION
 ELECTRICAL CONVENIENCE ITEMS
 UPC DESCRIPTION

MODEL YEAR 1978
 ORIGIN DATE 770729
 LAST CHG. DATE
 LAST CHG. CODE
 TO 1K3 C 1
 PK U. P. C. SNR RAGE



PRODUCT DESCRIPTION MANUAL
ASSEMBLY INFORMATION

GMT 1081 REV. 8/78

ITEM	PART OR TOOL DESCRIPTION	ADD'L DATA	QTY	PART NUMBER	ENGINE CODES	SERIES	NOV BRN	ITEM RESTRICTION	DEPARTMENTS		CHANGE		LOGIC CODE	FUNCTION CODE	ADDITIO CODES	VA	LINE NOS
									#1	2/STA	CD	AUTH					
0010AA	SET ASM M/G		1	2010790				KNC	0752	83			3495830008	M			1-24
0020AA	HARN M/G BAT		1	12002615				KNC	0782	40			3495400045	M			1-25
0030AA	METER M/G HR		1	2028734				KNC	0782	41			3495410175	M			1-30
0040AA	SCR METER ATCH		3	9425903				KNC	0782	41							1-32
0050AA	BRKT METER		1	2009110				KNC	0782	41			3495410180	M			1-34
0060AA	SCREW		2	9418566				KNC	0782	41							1-34
0070AA	WASHER		2	9419892				KNC	0782	41							1-35
0080AA	WASHER		2	103319				KNC	0782	41							1-40
0090AA	NUT		2	9419912				KNC	0782	41							1-42
0100AA	BATTERY M/G		1	1980400				KNC	0782	41			3495410185	M			1-44
0110AA	TRAY M/G BAT		1	2005494				KNC	0782	41			3495410190	M			1-46
0120AA	SCREW		4	9418901				KNC	0782	41							1-48
0130AA	RETAINER BAT		1	533308				KNC	0782	41			3495410195	M			1-50
0140AA	BOLT		2	3826708				KNC	0782	41							1-52
0150AA	WASHER		2	9418304				KNC	0782	41							1-54
0160AA	NUT		2	142745				KNC	0782	41							1-56
0170AA	TAG M/G DANGER		1	791685				KNC	0754	87			3495870070	M			1-58
0180AA	LUB HARN CONN		*	9985009				KNC	0754	87							2-1
0200AA	HOSE FUEL INLT		1	9436889				KNC	0752	78			3495780030	M			2-3
0210AA	ELBOW HOSE		1	3744155				KNC	0752	78			3495780035	M			2-5
0220AA	CLAMP		2	2494772				KNC	0752	78			3495780040	M			2-7
0230AA	SCREW		2	9422232				KNC	0752	78							2-9
0240AA	CLIP		2	3941477				KNC	0752	78			3495780045	M			2-11
0250AA	LOOM		*	R15041				KNC	0752	78							2-13
0260AA	CLIP		2	5151108				KNC	0752	78			3495780050	M			2-15

1	REFERENCE	ZE06583	MODEL YEAR 1978
2			ORIGIN DATE 770729
3			LAST CHG. DATE
4			LAST CHG. CODE
5			
F.M.V.B.E.		MODEL APPLICATION ELECTRICAL CONVENIENCE ITEMS UPC DESCRIPTION	70 1K3 C 2 MK V. P. C. QWP PAGE



PRODUCT DESCRIPTION MANUAL

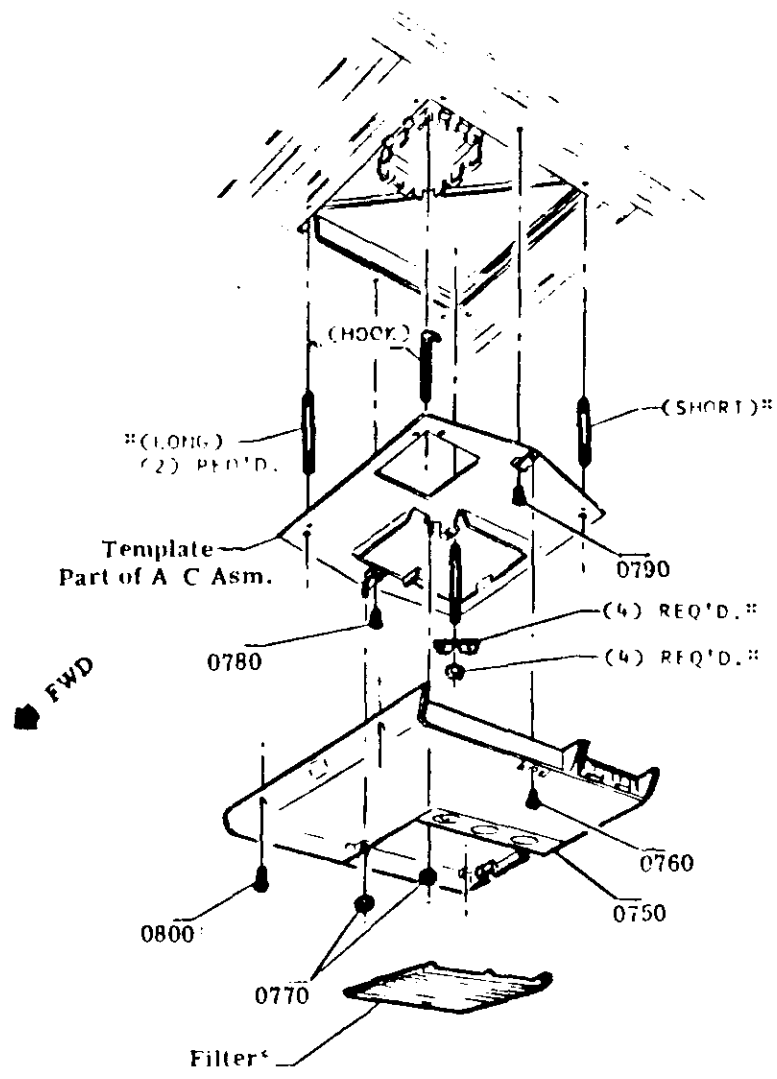
ASSEMBLY INFORMATION

GMT 1081 REV. 5/78

ITEM	LQ	M	PART OR TOOL DESCRIPTION	ADD'L DATA	QTY	PART NUMBER	ENGINE CODES	SERIES	BODY	ITEM RESTRICTION	DEPARTMENTS		CHANGE		LOGIC CODE	FUNCTION CODE	ADDITIO. CODES	FNA	LINE NOS	
											#1	2/STA	CD	AUTH						
U270AA			BOLT		2	9422332				KNC	0752	78								2-13
U280AA			WASHER		4	2436165				KNC	0752	78								2-14
U290AA			NUT		2	9422308				KNC	0752	78								2-21

F.N.V.S.S. REFERENCE	ZE06583	MODEL YEAR 1978
	MODEL APPLICATION	ORIGIN DATE 770729
	ELECTRICAL CONVENIENCE ITEMS	LAST CHG. DATE
UPC DESCRIPTION		LAST CHG. CODE
		70 183 C 3
		WK V. P. G. 997 PAGE

GMT 922 1-73



*Part of A C Asm. Item 0740, 0750

NOTE For exterior instl. see sh. 7

DYNAMIC (Installation) - LBS	HAND (Inspection) - LBS	DATE	SYM	REVISION	AUTH	DR	CHK	DEPARTMENTS	TITLE
△		75 77		ORIGINAL RELEASE	ARDC	RT		R. THOMPSON	78 TRUCK BOOK 70
△									ROOF AIR CONDITIONER (INTERIOR) RPO CNL CNV
△									NAME HEATING & ROOF MOUNTED AC DIVISION 1K4 SHEET 8

PRODUCT DESCRIPTION MANUAL

ASSEMBLY INFORMATION

GMT 10MT REV. 8/75

GM TRUCK & COACH

ITEM	PART OR TOOL DESCRIPTION	ADD'L DATA	QTY	PART NUMBER	ENGINE CODES	SERIES	BODY	ITEM RESTRICTION	DEPARTMENTS		CHANGE		LOGIC CODE	FUNCTION CODE	ADDITIONAL CODES	FNA	LINE NOS
									#1	2/STA	CD	AUTH					
AA0101K	FURNACE DUCT INSTL		*	L9475													1.8
AA0201K	RF VENT INSTL		*	L6429					0784								1.9
AA0301K	RF A/C INSTL		*	L6406					0784								1.11
AA0401K	BLANKET LOCKER MODULE		*	L6653					0784								1.15
AA0501K	HTR PNL MODULE		*	L6654					0784								1.16
AA0601K	BATH MODULE HT		*	MD13999					0784								1.20
AA0602K	HTLT CUTOUT																1.21
AA0701K	THERM INSTL		*	L6968					0784								1.23
AA0801K	HARN INSTL RF		*	L6970				CNO/CNU	0782								1.25
AA0802K	VENT								0782								1.26
AA0901K	RF PNL FRM		*	MD12785					0784								1.27
AA0902K	DRILL INSTL								0784								1.28
AA1001K	VENT SEALS		*	L9552					0784								1.32
AA1101K	HTG SYSTEM CODE		*	L9541					0784								1.33
AA1102K	DRWG								0784								1.34
AA1201K	DRILLING INSTRU		*	MD16093					0784								1.36
AA1401K	HARN INSTL RF		*	L6970				CNO/CNU	0786								1.38
AA1402K	VENT								0786								1.39

F.M.V.S.S.	REFERENCE	7E065P1 MODEL APPLICATION HEATING & ROOF MOUNTED AIR CONDITIONING UPC DESCRIPTION	MODEL YEAR 1978 ORIGIN DATE 770723 LAST CHG DATE LAST CHG CODE TO 1K4 A 1 BK U P C DMP PAGE
------------	-----------	--	--

ITEM	SEC	PART OR TOOL DESCRIPTION	ADD'L DATA	QTY	PART NUMBER	ENGINE CODES	SERIES	BOY BRK	ITEM RESTRICTION	DEPARTMENTS		CHANGE		LOGIC CODE	FUNCTION CODE	ADDITIONAL CODES	LINE NOS
										#1	2/STA	CD	AUTH				
0010AA		RNACE ASM		1	2028332					0784	63	57315	0000	635020			1.43
0012AA		ADAPTER FURN		1	2028117					0784	63		0000	635025			1.43
0014AA		ADAPTER FURN		1	2028118					0784	63		0000	635025			1.43
0020AA		DECAL		1	791125					0784	63		0000	635030			1.43
0110AA		SCREW		2	9414724					0784	63						1.43
0145AA		SC DUCTPLEN		4	9416136					0784	63						1.53
0147AA		INSUL FURN BKG		1	792762					0784	63		0000	635040			1.53
0150AA		BACKFR INT/EXH		1	2030323					0784	63		3436	635045			1.53
0170AA		ADHESIVE		8	8860959					0784	63						1.53
0172AA		SEAL HTR OILT		1	2029830			-APN		0784	63		3436	635050			1.53
0180AA		REGISTER A/DUC		4	791725			APN		0784	63	349143	3436	635050			2.12
0190AA		SCREW		8	9421945			-APN		0784	63						2.04
0190AB		SCREW		6	9421945			APN		0784	63						2.00
0192AA		SCREW		2	155853			APN		0784	63						2.08
0195AA		SCREW		2	189948			APN		0786	79						2.10
0196AA		NUT		2	446952			APN		0786	79						2.12
0197AA		WA		2	131014			APN		0784	63						2.14
0198AA		NUT		2	134530			APN		0784	63						2.16
0200AA		TRANSITION ASM		1	791751			-APN		0784	63		3436	635055			2.16
0200AB		TRANSITION ASM		1	2029350			APN		0784	63		3494	635055			2.13
0252AA		SCREW		2	9414711			-APN		0784	63						2.20
0260AA		TUBE		1	2028116			-APN		0784	63		3436	635060			2.23
0260AB		TUBE		1	799816			APN		0784	63		3494	635060			2.24
0270AA		CLAMP		2	2465839					0784	63		0000	635065			2.26
0280AA		TRANSITION ASM		1	791741					0784	63		0000	635070			2.28
0290AA		PANEL A/DUC		1	799816			APN		0784	63		3494	635075			2.30

7FOA5R1

MODEL APPLICATION
HEATING/ROOF MOUNTED AIR CONDITIONING
UPC DESCRIPTION

MODEL YEAR 1978
ORIGIN DATE 770723
LAST CHG. DATE
LAST CHG. CODE
70 JK4 A 2
BK U.P.C. OR 108

ITEM	PART OR TOOL DESCRIPTION	ADD'L DATA	QTY	PART NUMBER	ENGINE CODES	SERIES	REV	ITEM RESTRICTION	DEPARTMENTS		CHANGE CD	AUTH	LOGIC CODE	FUNCTION CODE	ADDITIONAL CODES	A	LINE NOS
									01	B/STA							
0310	SCREW		3	156833				APN	0724	63							2.32
0320AA	WASHER		3	791040				APN	0784	63							2.34
0330AA	TUBE		1	791737					0724	63			0000635080				2.35
0340AA	CLAMP		1	246887B					0784	63			0000635085				2.36
0360AA	BLOWER ASM		1	791724					0784	63			0000635090				2.37
0370AA	ADAPTER ASM		1	200197B					0724	63			0000635095				2.38
0380AA	SCREW		4	9425903					0784	63							2.41
0390AA	SCREW		2	941727B					0784	63							2.42
0400AA	SEAL		*	8860971					0724	63							2.43
0410AA	VENT ASM PWR		1	200529B				CNU	0782	39			3450390082	M			2.51
0420AA	VENT ASM FRT		1	200529B				CNQ	0782	39			3446390087	M			2.52
0430AA	VENT ASM BATH		1	200529B					0782	39			0000390092	M			2.53
0440AA	VENT ASM FRT		2	2005297				-CNU/CNU/CNV	0782	39			3445390095	M			2.54
0440AB	VENT ASM FRT		1	2005297				CNQ/CNV	0782	39			1386390095	M			2.55
0450AA	FRAME ASM		1	2000390					0786	76			0000765022	M			3.1
0460AA	FRAME ASM		2	2005296				-CNU/CNU/CNV	0786	76			3445765025	M			3.2
0460AB	FRAME ASM		1	2005296				CNU/CNV	0786	76			1386765025	M			3.3
0470AA	FRAME ASM		1	2000390				CNQ	0786	76			3446765027	M			3.4
0470AB	FRAME ASM		2	2000390				CNU	0786	76			3450765027	M			3.5
0480AA	CRANK ASM		6	2005290				-CNV	0786	76			3449765030	M			3.6
0480AB	CRANK ASM		4	2005290				CNV	0786	76			3444765030	M			3.7
																	3.8
0500AA	SCREW		8	9422165				-CNV	0786	76							3.9
0500AB	SCREW		4	9422165				CNV	0786	76							3.10
0510AA	SCREW		51	273492				-CNV	0782	39							3.11
0510AB	SCREW		34	273492				CNV	0782	39							3.12
0520AA	SUPT GRILLE		4	2004743				-CNV	0782	39			3449390070	M			3.13
0520AB	SUPT GRILLE		4	2004743				CNV	0782	39			3444390070	M			3.14

ZFO65R1

MODEL YEAR 1978
ORIGIN DATE 770723
LAST CHG. DATE
LAST CHG. CODE

MODEL APPLICATION
HEATING/ROOF MOUNTED AIR CONDITIONING
UPC DESCRIPTION

70 1K4 A 3
BK V. P. C. 97 198

PRODUCT DESCRIPTION MANUAL

ASSEMBLY INFORMATION

GMT 1061 REV. 5/76

ERIC TRINCK & COMPANY

ITEM	SEQ	PART OR TOOL DESCRIPTION	ADD'L DATA	QTY	PART NUMBER	ENGINE CODES	SERIES	REV	ITEM RESTRICTION	DEPARTMENTS		CHANGE		LOGIC CODE	FUNCTION CODE	ADDITIONAL CODES	FNA	LINE NOB
										#1	2/STA	CD	AUTH					
0522AA		SUPT RE VENT		4	2030156				L-6429	0784	69			0000	695030			3.23
0524AA		INSERT BTM LWR		1	2030159				L-6429	0784	69							3.25
0530AA		VENT ASM		3	790369					0782	39			0000	390075			3.27
0540AA		GASKET		3	790087					0782	39			0000	390080			3.29
0550AA		RIVFT		36	792846					0782	39							3.31
0560AA		SEALER		*	8861174				-CNV	0782	39							3.33
0562AA		XIT FURN VENT		1	2027946					0784	63			C000	635105			3.35
0564AA		SCREW		8	161933					0784	63							3.37
0570AA		SUPT FAN BLD HTG		1	2001977					0784	63			0000	635100			3.39
0580AA		BOLT		2	9419004					0784	63							3.41
0590AA		WASHER		2	9419892					0784	63							3.43
0600AA		NUT		2	9422273					0784	63							3.45
0610AA		SCREW		3	274998					0784	63							3.47
0620AA		TB PLNW-BLC		1	2013092					0784	63			C000	635110			3.49
0630AA		CLAMP		2	2468878					0784	63			0000	635115			3.51
0640AA		TB BATH HT DUCT		2	791737					0784	63			0000	635120			3.53
0650AA		CONN		1	2001658					0784	63			0000	635125			3.55
0655AA		CLAMP		2	791156					0784	63			C000	635130			3.57
0660AA		CLAMP		2	2468878					0784	63			0000	635135			3.59
0665AA		SCREW		2	9414713					0784	63							4.2
0670AA		TRANSITION		1	2001663					0784	63			0000	635140			4.4
0680AA		CLAMP		1	2468878					0784	63			0000	635145			4.6
0690AA		OUTLET		1	2001976					0784	63			0000	635150			4.8
0700AA		TAPE		*	8860160					0784	63	56R67						4.10

ZE06581

MODEL YEAR 1978
 ORIGIN DATE 770723
 LAST CHG. DATE
 LAST CHG. CODE

MODEL APPLICATION
 HEATING&ROOF
 UPC DESCRIPTION

UNITED AIR CONDITIONING

70 1K4 / 4
 BK U. P. C OR. AGE

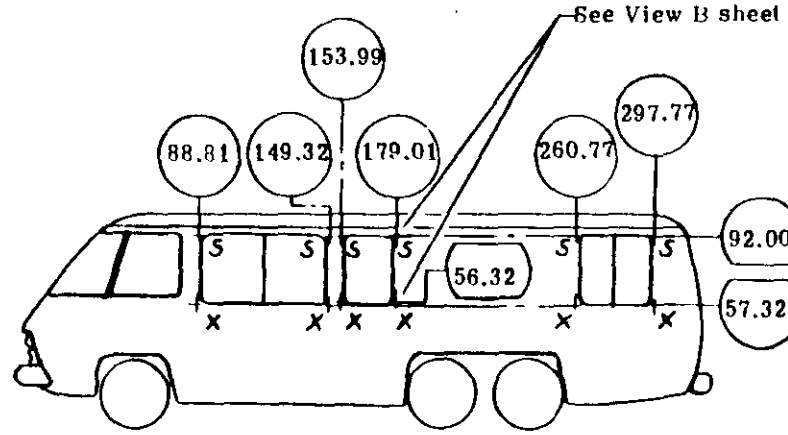
F M V S S

REFERENCE

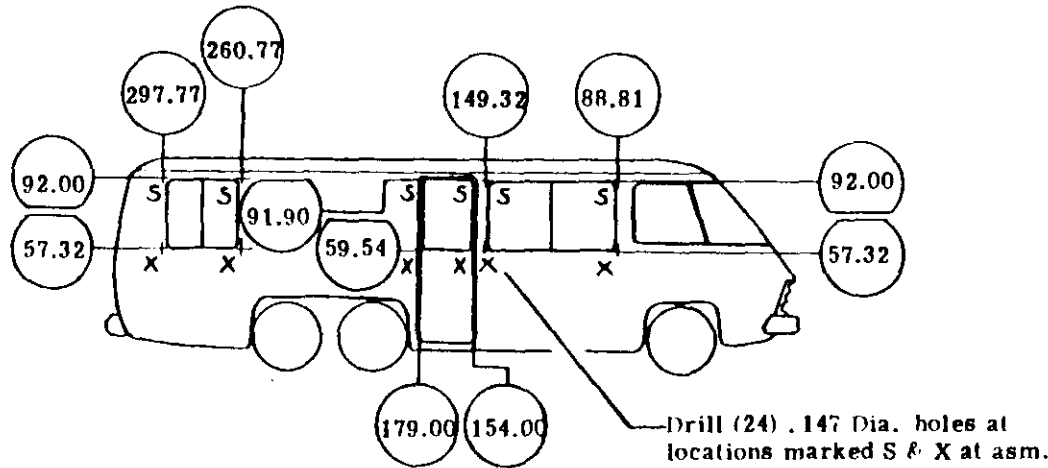
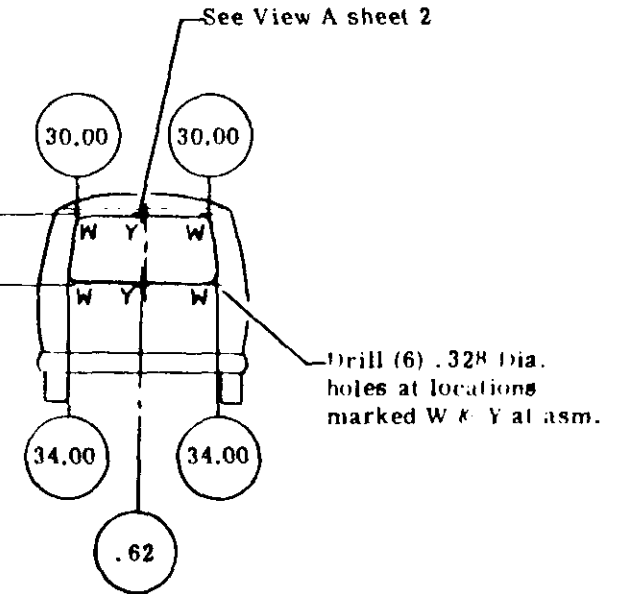
ITEM	S E Q	PART OR TOOL DESCRIPTION	ADD'L DATA	Q T Y	PART NUMBER	ENGINE CODES	SERIES	BDY BRK	ITEM RESTRICTION	DEPARTMENTS		CHANGE CD	AUTH	LOGIC CODE	FUNCTION CODE	ADDITIONAL CODES	LINE NOS
										#1	2/STA						
0710AA		SCREW		4	9422957					0784	63						4.12
0720AA		NUT		4	9422242					0784	63						4.14
0730AA		TAPE		4	834796					0784	63						4.16
0740AA		A/C ASM RF MTG		1	2033916				CNL/CNV	0782	39	038813669	390085			00050	4.18
0740AB		A/C ASM RF M16	UPI	1	2014090				CNV	0782	39	60019				00075	4.19
0745AA		A/C ASM RF MTG		1	2033919				CNV	0782	39	038813444	390090			00050	4.21
0750AA		BOX ASM		1	721026				CNL	0786	76		3444765020				4.23
0750AB		BOX ASM		2	721026				CNV	0786	76		3444765020				4.24
0760AA		SCREW BOX		1	9407608				CNL	0786	76						4.26
0760AB		SCREW BOX		2	9407608				CNV	0786	76						4.27
0770AA		NUT		2	120361				CNL	0786	76						4.29
0770AB		NUT		4	120361				CNV	0786	76						4.30
0780AA		SCREW		8	9420721				CNL	0782	39						4.32
0780AB		SCREW		16	9420721				CNV	0782	39						4.33
0790AA		SCREW		2	9420721				CNL	0782	39						4.35
0790AB		SCREW		4	9420721				CNV	0782	39						4.36
0800AA		SCREW		4	9421966				CNL	0786	76						4.38
0800AB		SCREW		8	9421966				CNV	0786	76						4.39
0805AA		EULI RF MT		1	2029289				CNL/CNV	0786	76						4.41
0810AA		TB INT A/DUCT		1	2028115					0784	63			0000635155		M	4.43
0820AA		CLAMP		2	4465839					0784	63			0000635160		M	4.45
0830AA		TRANSITION ASM		1	791751					0784	63			0000635165		M	4.47
0840AA		TB RR A/DUCT		1	2028114					0784	63			0000635170		M	4.49

1 2 3 4 5 6 7 8 9 10	ZE06581	MODEL YEAR 1978
	MODEL APPLICATION	ORIGIN DATE 770723
	HEATING&ROOF MOUNTED AIR CONDITIONING	LAST CHG. DATE 770831
F M V S S	REFERENCE	LAST CHG. CODE 3881
		70 1K4 A 5 BK U. P. C. G- PAGE

GMT 922 1/75



LEFT SIDE



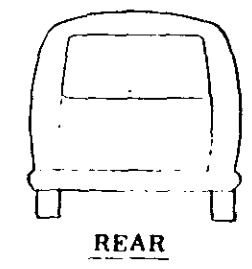
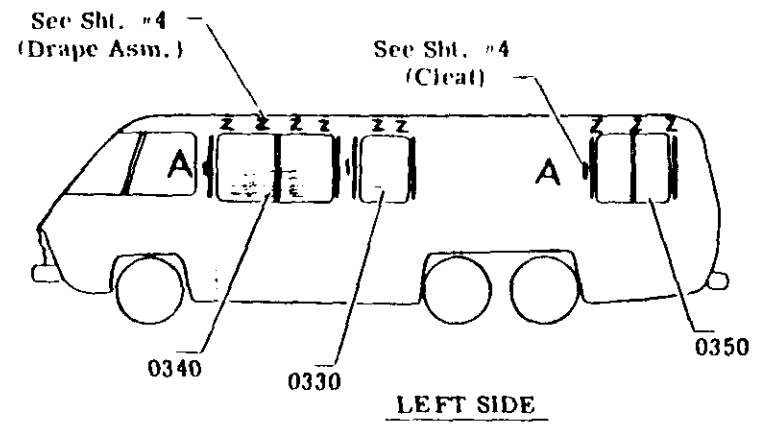
RIGHT SIDE

NOTE Item 0320 - Drape Set Asm. not illustrated.

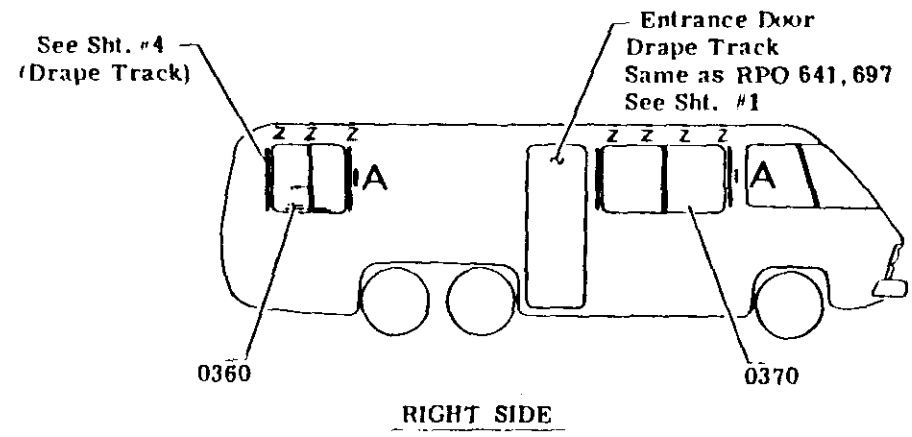
NOTE All dimensions are reference only.

DYNAMIC (Installation) - LBS	HAZARD (Inspection) - LBS	DATE	SYM	REVISION	AUTH	DR	CR	DEPARTMENTS	TITLE
		1-21-77		ORIGINAL RELEASE	4/800	5-2	7		78 TRUCK BOOK 70
									DRAPE TRACK LOCATIONS ZE06581 W 641,697
									NAME: DECORATIVE COVERING
									DIVISION/UPC: 1K5
									SHEET: 1

GMT 92 & 1/75

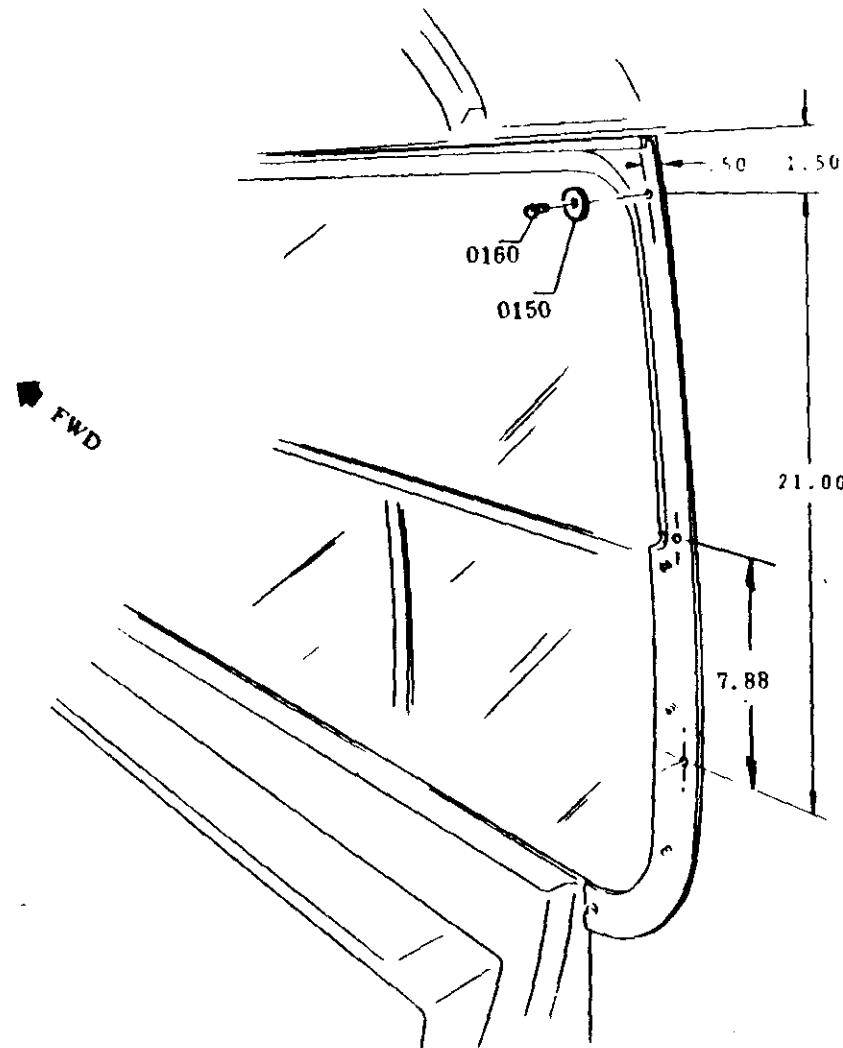


Rear Drapery Track
Same as RPO 641, 697
See Sht. #1



DYNAMIC (Installation) - LBS	NAWD (Inspection) - LBS	DATE	SYM	REVISION	AUTH	DN	CR	DEPARTMENTS	78 TRUCK	BOOK 70	
▲ ▲ ▲ ▲ ▲		6/2/77		ORIGINAL - KALEM, E	4/7/80				TITLE		
									DRAPERY TRACK LOCATIONS		
									ZEO6581 W 685, 698		
									NAME	DIVISION/LPC	SHEET
									DECORATING COVERING	1K5	3

GM 1-73

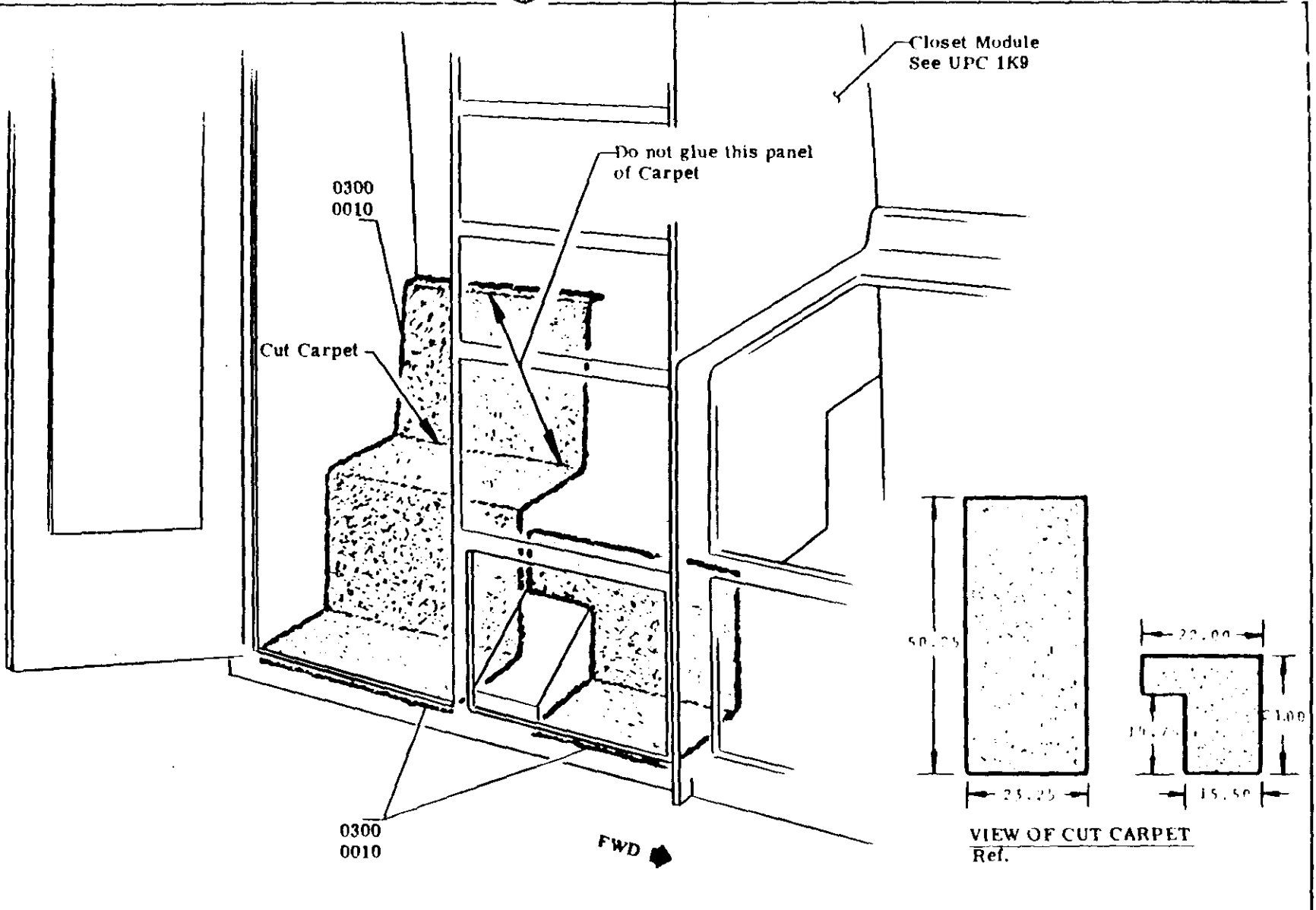


NOTE All dimensions shown are reference.

RH shown
LH sym. opposite

DYNAMIC (Inspection) - LBS	HAND (Inspection) - LBS	DATE	SYM	REVISION	AUTH	DR	CR	DEPARTMENTS	TITLE	BOOK
		6.17		ORIGINAL RELEASE	UTCC				'78 TRUCK CURTAIN VELCRO TAB (FRONT SIDE WINDOW) ZE06581	70
									NAME DECORATIVE COVERING	
									DIVISION 1K5	SHEET 5

GM. 1-73

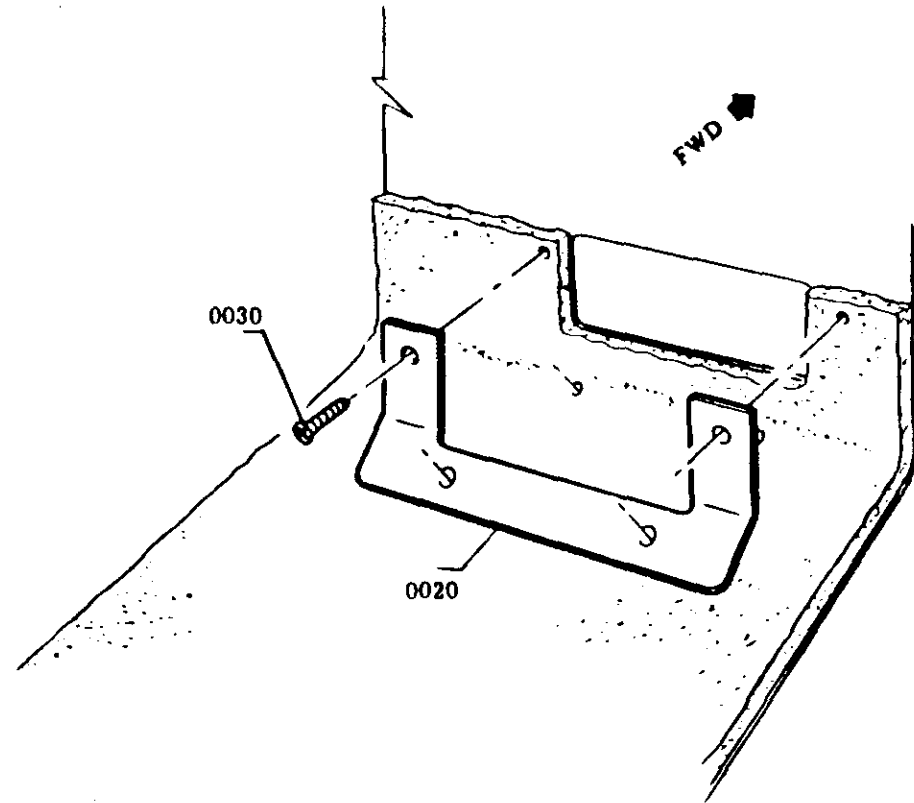


DYNAMIC (Installation) - LBS	HAND (Inspection) - LBS	DATE	SYM	REVISION	AUTH	DR	CR	DEPARTMENTS	TITLE	BOOK
		6-11-77		ORIGINAL RELEASE	4/1001	J	MC		'78 TRUCK CARPET (CLOSET MODULE) ZE06581	70
									NAME DECORATIVE COVERING	
									DIVISION 1K5	SHEET 10

GMT 922 1-73

NOTE

SCREW HEADS TO BE PAINTED
AFTER INSTALLATION TO MATCH
RETAINER PLATES.



DYNAMIC Installation—LBS	HAND (Inspection)—LBS	DATE	SYM	REVISION	AUTH	DR	CR	DEPARTMENTS	TITLE	BOOK
		2-21-77		ORIGINAL RELEASE	H. D. C.				'78 TRUCK CARPET RETAINERS (HEATER OPENING)	BOOK 70
									NAME DECORATIVE COVERING	
									DIVISION 1K5	SHEET 11

PRODUCT DESCRIPTION MANUAL
ASSEMBLY INFORMATION

GMT 1001 REV. 5/78

GENE TRUCK & CARCO

ITEM	S E Q	P C Y	RT OR TOOL DESCRIPTION	ADD'L DATA	Q T Y	PART NUMBER	ENGINE CODES	SERIES	BOY BRN	ITEM RESTRICTION	DEPARTMENTS		CHANGE		LOGIC CODE	FUNCTION CODE	ADDITIONAL CODES	FN.	LINE NOS
											#1	2/STA	CD	AUTH					
AA01014			DRAPE TRACK INST		*	L6638					0784								1.18
AA02014			CPT INSTL		*	L6652					0784								1.19
AA02024			CPT INSTL		*	L6652			641/697/698		0784								1.19
AA03014			RR DRAPE TRK		*	L6794					0784								1.19
AA03024			CURT								0784								1.19
AA04014			CURT VELCRO TAB		*	L6660					0784								1.19
AA04024			INSTL FRT SI WDC								0784								1.19
AA05014			CPT RET AT HTR		*	L6877					0784								1.19
AA05024			OPENING								0784								1.20
AA06014			CLOSET MODULE		*	L6791					0784								1.22
AA06024			EPR INSTL								0784								1.23
AA07014			CLOSET MODULE		*	L6791			641/697/698		0784								1.23
AA07024			EPR INSTL								0784								1.23
AA08014			FRT RF CAP INR		*	L2997					0784								1.24
AA08024			PANEL								0784								1.24
AA09014			CPT INSTL		*	L6909					0784								1.31
AA09024			CPT INSTL		*	L6909			APN/641/697/698		0784								1.32
AA10014			MOVEN WD DRAPERY		*	L9398			685/698		0784								1.34
AA11014			DRAPE TRACK INST		*	L6638					0786								1.36
AA12014			CPT INSTL		*	L6652					0786								1.38
AA12024			CPT INSTL		*	L6652			641/697/698		0786								1.39
AA13014			RR DRAPE TRK		*	L6794					0786								1.41
AA13024			CURT								0786								1.42
AA14014			CURT VELCRO TAB		*	L6660					0786								1.44
AA14024			INSTL FRT SI WDC								0786								1.45
AA15014			CPT RET AT HTR		*	L6877					0786								1.47
AA15024			OPENING								0786								1.48
AA16014			CLOSET MODULE		*	L6791					0786								1.50
AA16024			EPR INSTL								0786								1.51
AA17014			CLOSET MODULE		*	L6791			641/697/698		0786								1.53
AA17024			EPR INSTL								0786								1.54

ZE065R1

MODEL YEAR 1978
ORIGIN DATE 770723
LAST CHG. DATE
LAST CHG. CODE

MODEL APPLICATION
MOTOR HOME DECORATIVE COVERING
UPC DESCRIPTION

70 1K5 A 1
BK U. P. C. GMP OE

F.M.V.S.S.

REFERENCE



PRODUCT DESCRIPTION MANUAL
ASSEMBLY INFORMATION

PART OR TOOL DESCRIPTION	ADD'L DATA	QTY	PART NUMBER	ENGINE CODES	SERIES	BOY BRN	ITEM RESTRICTION	DEPARTMENTS		CHANGE		LOGIC CODE	FUNCTION CODE	ADD'L CODES	FNA	LINE NOS
								#1	Z/STA	CD	AUTH					
AA19014 FRT RF CAP INR		*	L2997					0786								1.56
AA18024 PANEL								0786								1.57
AA19014 CPT INSTL		*	L6909					0786								1.59
AA19024 CPT INSTL		*	L6909				APN/641/697/698	0786								2.1
AA20014 WOVEN WD DRAPERY		*	L9398				685/698	0786								2.3
0010AA ADHESIVE		*	8861194					0784	62							2.9
0020AA PLATE HTR YR		1	719576					0784	62		0000625048			M		2.11
0030AA SCREW		4	9425069					0784	62							2.13
0040AA SHT POLYETHYLENE		*	8860690					0786	84							2.15
0050AA HOLDING DR		1	790059					0786	84		0000845010			M		2.17
0060AA SCREW		5	9414714					0786	84							2.19
0070AA TAPE		*	8861188					0786	84							2.20
0080AA TAPE		*	8861189					0786	84							2.21
0090AA STAPLE		*	663269					0786	84							2.22
0095AA BAR SPLICE ROD		2	2007258				-698/685	0786	85		0266855045			M		2.23
0100AA COUPLING ROD		4	2007300				-698/685	0786	85		0266855050			M		2.24
0105AA ROD SET ASM		1	791839				-698/685	0786	78		0266785050			M		2.25
0110AA BRACKET DRAPE		32	791180				-698/685	0784	64		0266645045			M		2.33
0110AB BRACKET DRAPE		12	791180				698/685	0784	64		0269645045			M		2.34
0115AA SPCR BRKT		2	2030532					0784	64		0000645050			M		2.36
0120AA SCREW BRKT		28	9417311				-698/685	0784	64							2.38
0120AB SCREW BRKT		8	9417311				698/685	0784	64							2.39
0130AA SCREW BRKT		4	456326					0784	66							2.41
0140AA END ROD CAP		20	791176				-698/685	0786	78		0266785055			M		2.43
0140AB END ROD CAP		8	791176				698/685	0786	78		0269785005			M		2.44

1 2 3 4 5 I M V	REFERENCE	ZE06581	MODEL YEAR 1978
		MODEL APPLICATION MOTOR HOME DECORATIVE COVERING	ORIGIN DATE 770723
		UPC DESC:	LAST CHG DATE
			LAST CHG CODE
			70 1K A 2
			BR M P GMP PAGE

PRODUCT DESCRIPTION MANUAL

ASSEMBLY INFORMATION

GMT 1081 REV. 5/76

GENE TRUCK & COACH

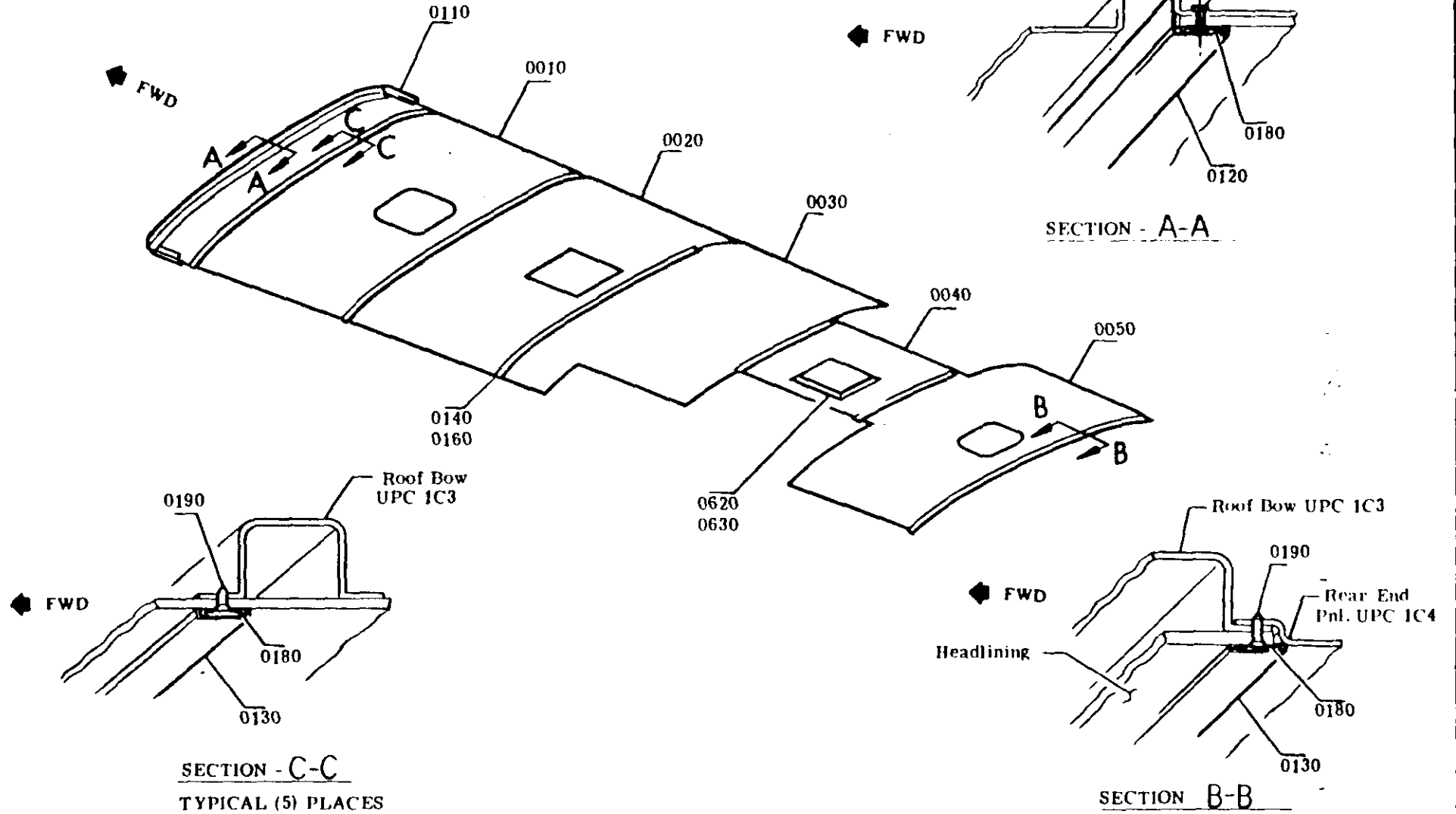
ITEM	EQUIP	PART OR TOOL DESCRIPTION	ADD'L DATA	QTY	PART NUMBER	MOD	ENGINE CODES	SERIES	BODY BRN	ITEM RESTRICTION	DEPARTMENTS		CHANGE		LOGIC CODE	FUNCTION CODE	ADDITIONAL CODES	FNA	LINE NOS
											#1	2/STA	CD	AUTH					
0150AA		FASTENER		6	791803						0786	75			0000755005				2.44
0160AA		RIVET		6	9423122						0786	75							2.44
0170AA		RETAINER		2	792165						0786	66			0000665005				2.50
0180AA		SCREW		2	159666						0786	85							2.52
0190AA		FASTENER		4	105507						0786	75			0000755010				2.54
0200AA		RIVET		4	668290						0786	75							2.56
0210AA		NUT TIE BACK		2	791804						0786	75							2.56
0220AA		TRACK		1	791661						0786	75			0000755015				3.1
0230AA		STOP ASM		2	791660						0786	75			0000755020				3.3
0240AA		RIVET		9	716846						0786	75							3.5
0250AA		SCREW		2	159666						0786	75							3.7
0260AA		SLEEVE ASM		6	799378						0786	85			0000855055				3.9
0270AA		CARPET ASM FRT		1	2017043				641CAPN		0786	64			3524845015				3.11
0270AB		CARPET ASM FRT		1	799807				697CAPN		0786	64			3525845015				3.11
0270AC		CARPET ASM FRT		1	2001452				698CAPN		0786	64			3526845015				3.13
0280AA		CARPET ASM RR		1	2017045				641CAPN		0786	64			3524845020				3.15
0280AB		CARPET ASM RR		1	799809				697CAPN		0786	64			3525845020				3.16
0280AC		CARPET ASM RR		1	2001454				698CAPN		0786	64			3526845020				3.17
0290AA		ADHESIVE		*	8861194				APN		0786	64							3.19
0300AA		CARPET INTER		*	8861580				641		0786	64			3477845025				3.21
0300AB		CARPET INTER		*	8861132				697		0786	64			3461845025				3.22
0300AC		CARPET INTER		*	8861388				698		0786	64			3484845025				3.23
0300AD		CARPET INTER		*	8861732				685		0786	64			6037845025				3.24
0310AA		CARPET STP RSK		2	2017047				641		0786	64			3477845030				3.26
0310AB		CARPET STP RSK		2	799806				697		0786	64			3461845030				3.27
0310AC		CARPET STP RSK		2	2001451				698		0786	64			3484845030				3.28
0310AD		CARPET STP RSK		2	2027965				685		0786	64			6037845030				3.29
0320AA		SET ASM DRAPER		1	2022736				641		0786	80			3477805158				3.31
0320AC		SET ASM DRAPER		1	2029067				698		0786	80			3484805158				3.32
0320AD		SET ASM DRAPER		1	2027935				685		0786	80			6037805158				3.33
0320AE		SET ASM DRAPER		1	2025187				697		0786	80			3461805158				3.34

A B C D E F G H I J K L M N O P Q R S T U V W X Y Z	2E06581										MODEL YEAR 1976									
	MODEL APPLICATION										ORIGIN DATE 770723									
	MOTOR HOME DECORATIVE COVERING										LAST CHG DATE									
UPC DESCRIPTION										LAST CHG CODE										
REFERENCE										70 1K5 3										
										BK U P C. ONP PAGE										

ITEM NO.	PART OR TOOL DESCRIPTION	ADD L DATA	QTY	PART NUMBER	M O D	ENGINE CODES	SERIES	BODY BRK	ITEM RESTRICTION	DEPARTMENTS		CHANGE AUTH	LOGIC CODE	FUNCTION CODE	ADDITIONAL CODES	LINE NOS
										#1	2/STA					
0330AA	UKAPE ASM SI WDU		1	2027948				685		0786	78	REPRC6037785180				3.30
0330AB	UKAPE ASM SI WDU		1	2029072				698		0786	78	REPRC3484785180				3.31
0340AA	UKAPE ASM SI WDU		1	2027947				685		0786	78	REPRC6037785185				3.34
0340AB	UKAPE ASM SI WDU		1	2029070				698		0786	78	REPRC3484785185				3.44
0350AA	UKAPE ASM SI WDU		1	2027949				685		0786	78	REPRC6037785190				3.44
0350AB	UKAPE ASM SI WDU		1	2029073				698		0786	78	REPRC3484785190				3.45
0360AA	UKAPE ASM SI WDU		1	2029069				685		0786	78	REPRC6037785195				3.45
0360AB	UKAPE ASM SI WDU		1	2029074				698		0786	78	REPRC3484785195				3.46
0370AA	UKAPE ASM SI WDU		1	2029068				685		0786	78	REPRC6037785200				3.46
0370AB	UKAPE ASM SI WDU		1	2029071				698		0786	78	REPRC3484785200				3.47
0380AA	TRACK		10	2027946				685/698		0784	65		0269655100			3.51
0390AA	SCREW		50	9437204				685/698		0784	65					3.52
0400AA	SCREW		16	9414739				698		0784	65					3.55
0410AA	CLEAT KIT		5	2029322				698		0784	65		3484655105			3.57

1 M V S S	REFERENCE	ZE06581	MODEL YEAR 1978
		MODEL APPLICATION MOTOR HOME DECORATIVE COVERING	ORIGIN DATE 770723
		UPC DESCRIPTION	LAST CHG DATE 770913
			LAST CHG CODE REPRC
			70 1K5 A 4
			BK U. P. C. GRP PAGE

GMT 922 1/75



DYNAMIC (Installation) - LBS	HAND (Inspection) - LBS	DATE	SYM	REVISION	AUTH	DR	CR	DEPARTMENTS	TITLE	DIVISION/UPC	SHEET
▲		6/11/75		ORIGINAL RELEASE	47000	RJ	SP	H. GRIFFIN	'78 TRUCK	1K6	4
▲									HEADLINING		
▲									ZK06581		
▲									INTERIOR		
▲									FINISH & FITTINGS		

PRODUCT DESCRIPTION MANUAL

ASSEMBLY INFORMATION

DMT 1081 REV. 8/78



ITEM	E	Q	PART OR TOOL DESCRIPTION	ADD'L DATA	QTY	PART NUMBER	ENGINE CODES	SERIES	BODY STY	ITEM RESTRICTION	DEPARTMENTS		CHANGE		LOGIC CODE	FUNCTION CODE	ADDITIONAL CODES	FNA	LINE NOS.
											#1	2/STA	CD	AUTH					
AA03014			RR LWR INTR TR			L6858					0784								1.8
AA04014			BATH DR DRIP			L6446					0784								1.10
AA04024			MLDG INSTL								0784								1.11
AA05014			BATH DR SEAL			L6644					0784								1.13
AA05024			INSTL								0784								1.14
AA06014			SI INTR TR INST			L7858				APP/APN	0784								1.16
AA07014			DAVD/BUNK/ST			L6619				APP	0784								1.18
AA07024			INSTL								0784								1.19
AA08014			FLR AUX DRILL			L6797				APP	0784								1.21
AA08024			SNIV CHAIRS								0784								1.22
AA08034			HEADLINER INST			L9560					0784								1.23
0010AA			LINER NO 1			2027968				-APN/APP	0786	74			3600745005				1.27
0010AB			LINER NO 1			795751				APN&APP	0786	74			3603745005				1.28
0010AC			LINER NO 1			795753				APN-APP	0786	74			3604745005				1.29
0010AD			LINER NO 1			795757				APP-APN	0786	74			3605745005				1.30
0020AA			LINER NO 2			795742				-APN/APP/CNL/CNV	0786	74			0278745010				1.32
0020AB			LINER NO 2			795744				APN&APP&ENL-CNL/CNV	0786	74			0280745010				1.33
0020AC			LINER NO 2			795736				APN&APP&CNL/CNV	0786	74			0283745010				1.34
0020AD			LINER NO 2			795746				APN-APP/CNL/CNV	0786	74			0284745010				1.35
0020AE			LINER NO 2			795738				APN&CNV/CNL-APP	0786	74			0288745010				1.36
0020AF			LINER NO 2			2027967				CNL/CNV	0786	74			3669745010				1.37

1		ZE06581	
2			
3			
4			
5			
F.M.V.B.S.	REFERENCE	MODEL APPLICATION INTERIOR FINISH & FIT (CEILING & WALLS)	MODEL YEAR 1978 ORIGIN DATE 770725 LAST CHG. DATE LAST CHG. CODE 70 IK A 1 BK U. P. C. GMP PAGE

PRODUCT DESCRIPTION MANUAL

ASSEMBLY INFORMATION

QNT 1061 REV. 5/78

GMC TRUCK & COACH

QTY	PART OR TOOL DESCRIPTION	ADD'L DATA	QTY	PART NUMBER	ENGINE CODES	SERIES	REV	ITEM RESTRICTION	DEPARTMENTS		CHANGE		LOGIC CODE	FUNCTION CODE	ADDITIONAL CODES	FNA	LINE NOS
									#1	2/STA	CD	AUTH					
	LINER NO 2		1	795749				APP-APN/CNL/CNV	0786	74			0290745010	M			1.40
	LINER NO 2		1	795741				APP&CNL/CNV-APN	0786	74			0291745010	M			1.41
	LINER NO 3		1	790391					0786	74			0000745015	M			1.43
	LINER NO 4		1	790392					0786	74			0000745020	M			1.45
	LINER NO 5		1	790394				-CNV	0786	74			3449745025	M			1.47
	LINER NO 5		1	795500				CNV	0786	74			3444745025	M			1.48
	MOLDING RF RL		2	790871					0786	74			0000745030	M			1.50
	MOLDING RF RL		1	794991					0786	74			0000745035	M			1.52
	MOLDING RF RL		1	2004742					0786	74			0000745040	M			1.54
	CLIP HOLDING LH		60	3722217					0786	74			0000745045	M			1.56
	CLIP HOLDING RH		60	3722217					0786	74			0000745050	M			1.58
	MOLDING HD EG		2	791195					0786	74			0000745055	M			2.1
	MOLDING RET		1	791829					0786	74			0000745060	M			2.3
	MOLDING RET		4	715542					0786	74			0000745065	M			2.5
	MOLDING RET		2	677725					0786	74			0000745070	M			2.7
	MOLDING RF TR		2	2492543					0786	74			0000745075	M			2.9
	RETAINER MLDG		2	792173					0786	74			0000745080	M			2.11
	RETAINER MLDG		2	792290					0786	74			0000745085	M			2.13
	RETAINER MLDG		5	792172					0786	74			0000745090	M			2.15
	SCREW		51	9423437					0786	74							2.17
	RIVET		10	716846					0786	74							2.19
	MLDG ENTR DR		1	791835					0784	65			0000655110	M			2.21
	MLDG ENTR DR		1	791836					0784	65			0000655115	M			2.23
	MLDG ENTR DR		1	791837					0784	64			0000645055	M			2.25
	MLDG ENTR DR		1	791838					0784	64			0000645060	M			2.27

1 2 3 4 5		ZEO6581	MODEL YEAR 1978 ORIGIN DATE 770725 LAST CHG. DATE LAST CHG. CODE
1 MVS	REFERENCE	MODEL APPLICATION INTERIOR FINISH & FIT (CEILING & WALLS) UPC DESCRIPT	70 1K6 A 2 BK U. P. C. RP PAGE

PRODUCT DESCRIPTION MANUAL

ASSEMBLY INFORMATION

GMT 1001 REV. 5/78

GM TRUCK & COACH

ITEM	QTY	PART OR TOOL DESCRIPTION	ADD'L DATA	QTY	PART NUMBER	ENGINE CODES	SERIES	BODY BIRD	ITEM RESTRICTION	DEPARTMENTS		CHANGE		LOGIC CODE	FUNCTION CODE	ADDITIONAL CODES	FNA	LINE NOS
										#1	2/STA	CD	AUTH					
024AA		SCREW		8	9436828					0784	64							2.29
025AA		WASHER		8	140252					0784	64							2.31
026AA		ADHESIVE		4	8860489					0784	64							2.33
027AA		SCREW		2	9425803					0784	65							2.35
028AA		WASHER		1	140252					0784	65							2.37
029AA		SCREW		2	9423437					0784	64							2.39
030AA		PANEL		1	2007940					0784	64			0000645065			M	2.41
031AA		PANEL		1	2007941					0784	64			0000645070			M	2.43
032AA		PANEL		1	791828					0784	64			0000645075			M	2.45
033AA		PANEL		1	791815					0784	65			0000655120			M	2.47
034AA		PANEL INTR SI		2	2007936					0784	64			0000645080			M	2.49
035AB		PANEL INTR SI LH		1	2007933					0784	64			0000645085			M	2.51
035AB		PANEL INTR SI RH		1	2007935					0784	64			0000645090			M	2.53
036AA		PANEL INTR SI		2	2007932					0784	64			0000645095			M	2.55
037AA		PANEL INTR SI		2	2007939					0784	64			0000645100			M	2.57
040AA		PANEL INTR SI		1	2007942					0784	65			0000655125			M	2.59 3.1
041AA		PANEL INTR SI		1	2007948					0784	64			3487645105			M	3.3
041AB		PANEL INTR SI		1	2007949					0784	64			3451645105			M	3.4
042AA		PANEL INTR SI		1	2028030					0784	64			3436645125			M	3.6
042AB		PANEL INTR SI		1	2007927					0784	64			3494645125			M	3.7
042AA		PANEL INTR SI		1	2028031					0784	64			3436645130			M	3.9
042AB		PANEL INTR SI		1	2007944					0784	64			3494645130			M	3.10
043AA		PANEL INTR SI		1	2007950					0784	64			0000645110			M	3.12
044AA		PANEL INTR SI		1	2007929					0784	64			3451645115			M	3.14
044AB		PANEL INTR SI		1	2007930					0784	64			3487645115			M	3.15
045AA		PANEL INTR SI		1	2007946					0784	64			0000645120			M	3.17

1 2 3 4 5 F.M.V.B.S.	7E06581										MODEL YEAR 1978			
	REFERENCE										ORIGIN DATE 770725			
MODEL APPLICATION										LAST CHG. DATE				
INTERIC FINISH & FIT (CEILING & WALLS)										LAST CHG. CODE				
UPC DESCRIP										70 1' A 3				
										BY U. P. GMP PAGE				

PRODUCT DESCRIPTION MANUAL

ASSEMBLY INFORMATION

GMT 1061 REV. 6/78



ITEM	PART OR TOOL DESCRIPTION	ADD'L DATA	QTY	PART NUMBER	M O D	ENGINE CODES	SERIES	BODY ORK	ITEM RESTRICTION	DEPARTMENTS		CHANGE		LOGIC CODE	FUNCTION CODE	ADDITL CODES	PNA	LINE NOS
										#1	2/STA	CD	AUTH					
0460AA	MLOG LWR WALL		2	2004720						0784	62			0000625055				3.19
0470AA	MLOG WALL PNL		1	2004721						0784	62			0000625060				3.21
0480AA	MLOG WALL PNL		1	2004718						0784	62			0000625065				3.23
0490AA	MLOG WALL PNL		1	2004719						0784	62			0000625070				3.25
0500AA	SCREW		40	9437204						0784	62							3.27
0510AA	SCREW		1	9437204						0784	64							3.29
0520AA	SCREW		5	9437204					-APP	0784	65							3.31
0570AB	SCREW		3	9437204					APP	0784	65							3.32
0530AA	BLOCK WOOD		1	792189						0786	78			0000785060				3.34
0535AA	BLOCK WOOD		1	2031229						0786	78			0000785065				3.36
0540AA	BLOCK WOOD		1	792190						0786	78			0000785070				3.38
0545AA	BLOCK WOOD		1	2031230						0786	78			0000785075				3.40
0550AA	BLOCK WOOD		1	792177						0786	78			0000785080				3.42
0560AA	PANEL LH LWR		1	792185						0786	78			0000785085				3.44
0570AA	PANEL LH LWR		1	792187						0786	78			0000785090				3.46
0580AA	PANEL RR LWR		1	792188						0786	78			0000785095				3.48
0590AA	PANEL RR LWR		1	792197						0786	78			0000785100				3.50
0600AA	SCREW		27	162407						0786	78							3.52
0610AA	SCREW		4	162532						0786	78							3.54
0620AA	SUPT ELECT BOX		2	792164						0786	74			0000745095				3.56
0630AA	ADHESIVE		4	8860955						0786	74							3.58
0680AA	PANEL INTR WALL		1	2001117					APP	0786	74			3451745100				4.1
0690AA	PANEL INTR WALL		1	2001090					APP	0786	74			3451745105				4.3
0700AA	MLOG PANEL		1	2001116					APP	0786	74			3451745110				4.5
0710AA	PANEL GAL LWR		1	2000262					VNW808	0786	74			1135745115				4.7

1 2 3 4 5 6	2E06581										MODEL YEAR 1978 ORIGIN DATE 770725 LAST CHG DATE LAST CHG CODE							
	MODEL APPLICATION INTERIOR FINISH & FIT (CEILING & WALLS)										70 1K4 A 4 BK U P GMP PAGE							
	REFERENCE										UPC DESC. N							

PRODUCT DESCRIPTION MANUAL

ASSEMBLY INFORMATION

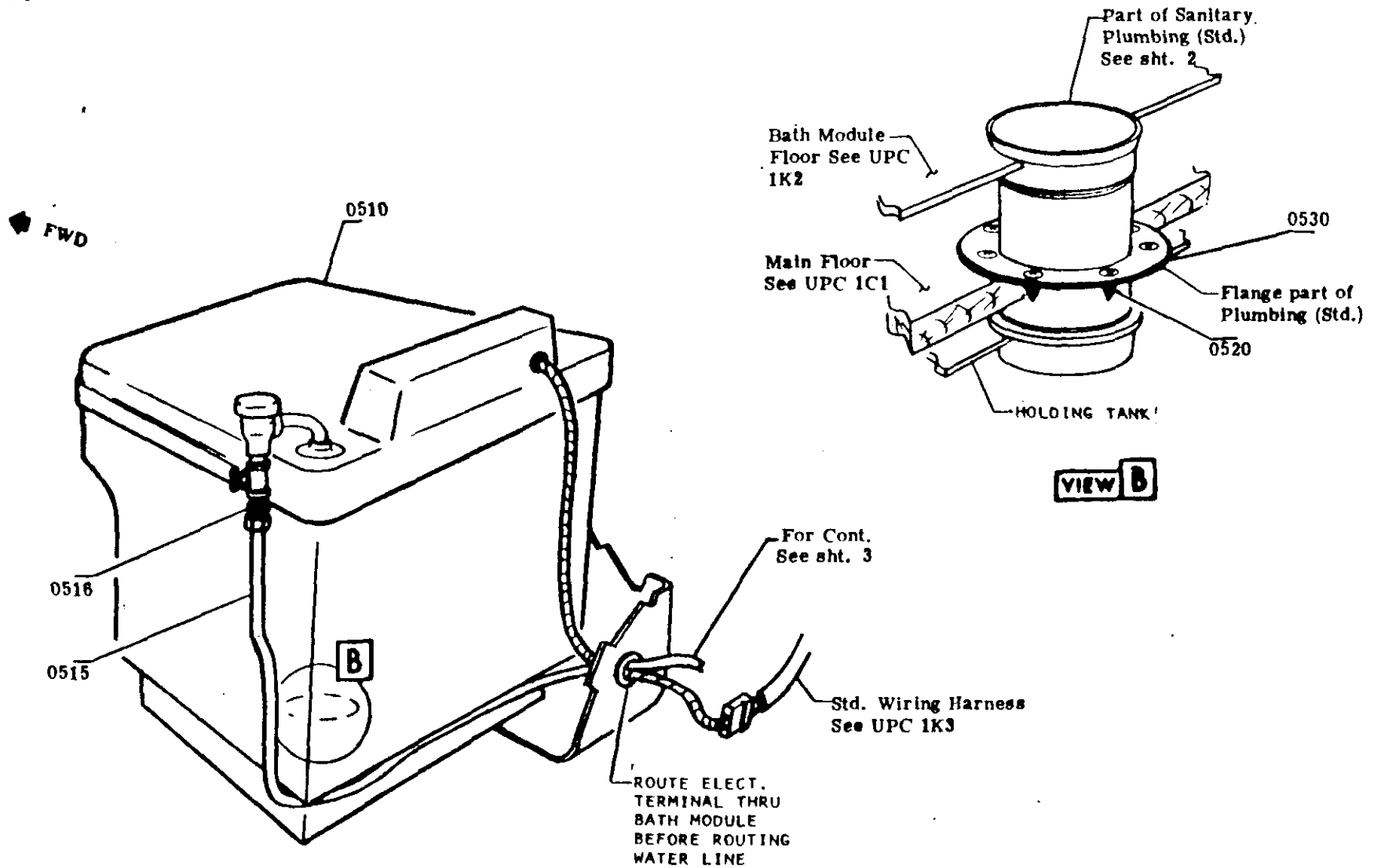
GMT 1001 REV. 5/78

GENE TRUCK & CRACK

ITEM	QTY	PART OR TOOL DESCRIPTION	ADD'L DATA	QTY	PART NUMBER	ENGINE CODES	SERIES	BOX	ITEM RESTRICTION	DEPARTMENTS		CHANGE		LOGIC CODE	FUNCTION CODE	ADDITIO. CODES	FNA	LINE NOS.
										#1	2/STA	CD	AUTH					
0720AA		SCREW		5	9431915				VNW808	0786	74							4.9
0730AA		PANEL INTR LWR		1	2001097					0786	74			0000	745120			4.13
0740AA		PANEL INTR LWR		1	2001097					0786	74			0000	745125			4.13
0750AA		PANEL INTR LWR		1	2001099				-APN	0786	74			3436	745130			4.15
0750AB		PANEL INTR LWR		1	2001098				APN	0786	74			3494	745130			4.16
0760AA		PANEL INTR LWR		1	2001100				-APN	0786	74			3436	745135			4.18
0760AB		PANEL INTR LWR		1	2001120				APN	0786	74			3494	745135			4.19
0770AA		MOLDING		1	2001116					0786	74			0000	745140			4.21

1 2 3 4 5 F.M.V.B.	2E06581										MODEL YEAR 1978							
	REFERENCE										ORIGIN DATE 770725							
	MODEL APPLICATION INTERIOR FINISH & FIT (CEILING & WALLS)										LAST CHG. DATE							
UPC DESCRIPTION										LAST CHG. CODE								
										70 IF A 5								
										BK U. P. L. GRP PAGE								

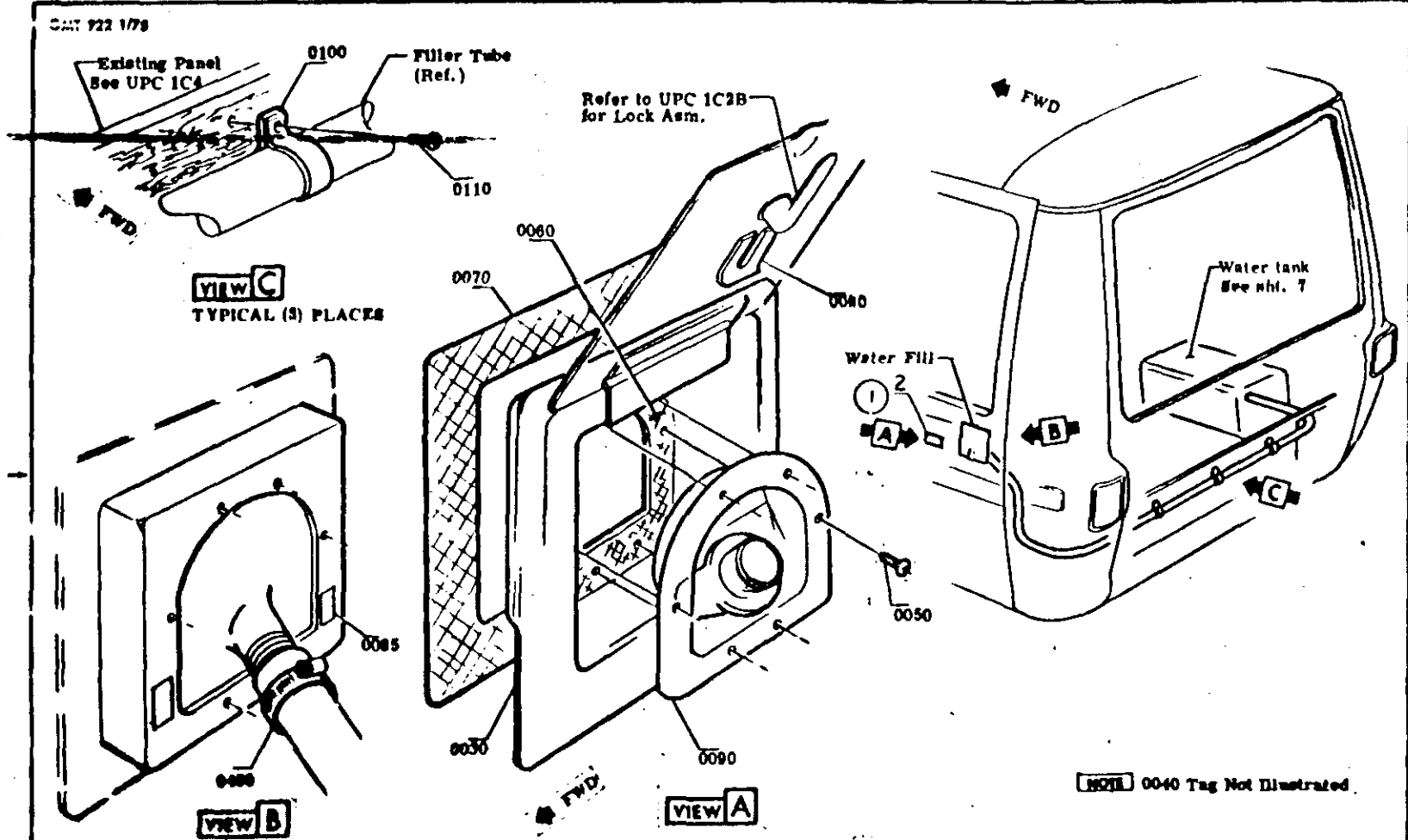
GMT 922 1/75



DYNAMIC (Installation) - LBS	STATIC (Inspection) - LBS	DATE	SYM	REVISION	AUTH	DR	CR	DEPARTMENTS	TRUCK	BOOK
▲		7/17/77		ORIGINAL RELEASE					78	70
▲									TITLE FRESH WATER PLUMBING BATH MODULE W/AM	
▲									NAME MOTOR HOME PLUMBING	DIVISION/UPC 110
▲									SHEET 4	

□ ITEM REFERENCE ◇ PROCESS MATERIAL △ TORQUE ▣ PART OF OR EXISTING

GM 922 178



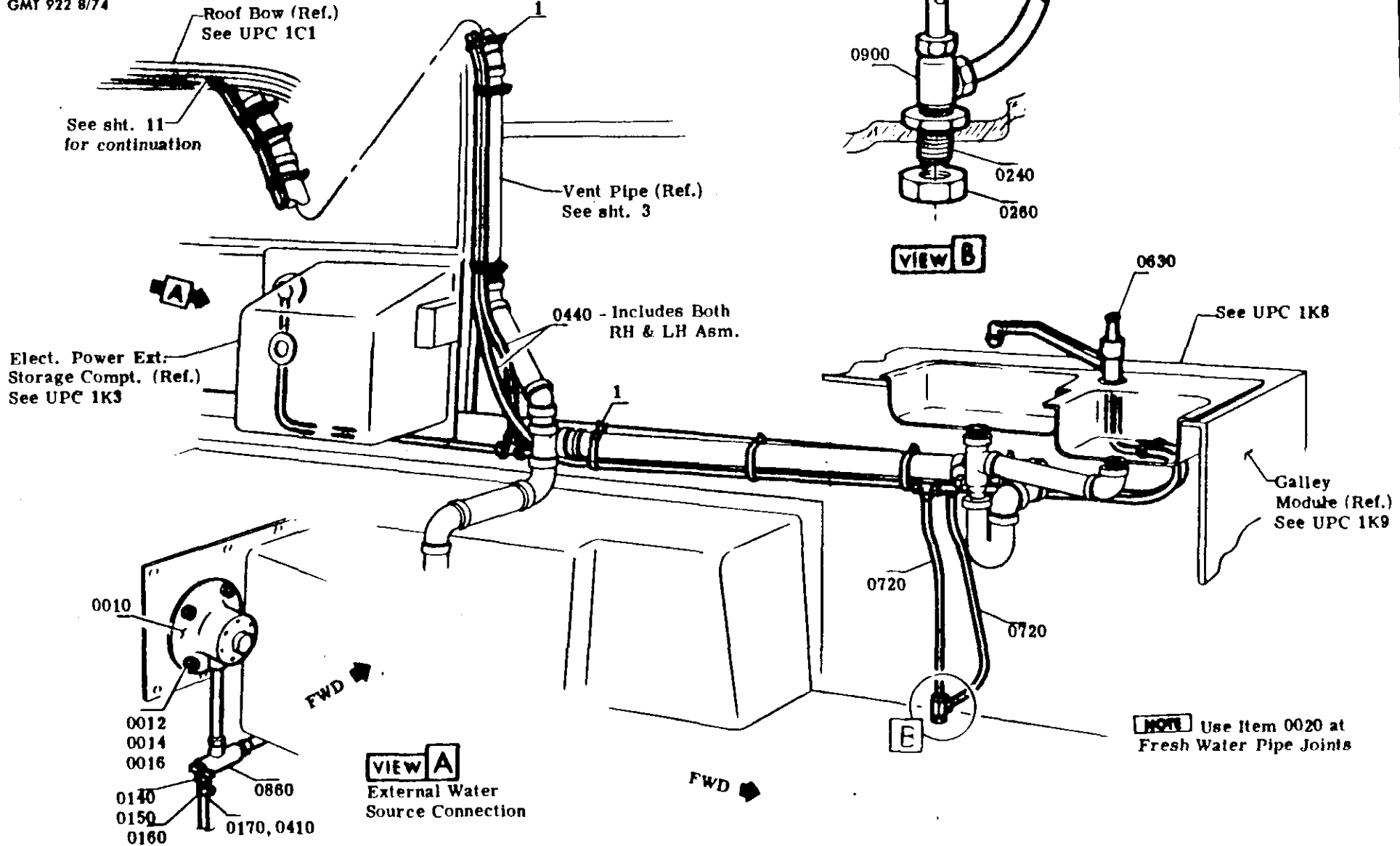
0030	2012753
0040	2032557
0050	9431915
0060	R53056
0070	2005011
0080	9728247
0085	8860660
0090	2804698
0100	791156
0110	2414713
0450	2465813
8	2082587

REV	DATE	DESCRIPTION	BY	CHKD	DEPARTMENT
1	1-1-77	ORIGINAL RELEASE			
2	1-1-77	ITEM 2 ADDED			

78 TRUCK	BOOK 70
FRESH WATER PLUMBING - STORAGE TANK FILLER ASM.	
NAME MOTOR HOME PLUMBING	DIVISION/MPC 1K7
DEPT 8	

FORM L 7095
PRELIMINARY

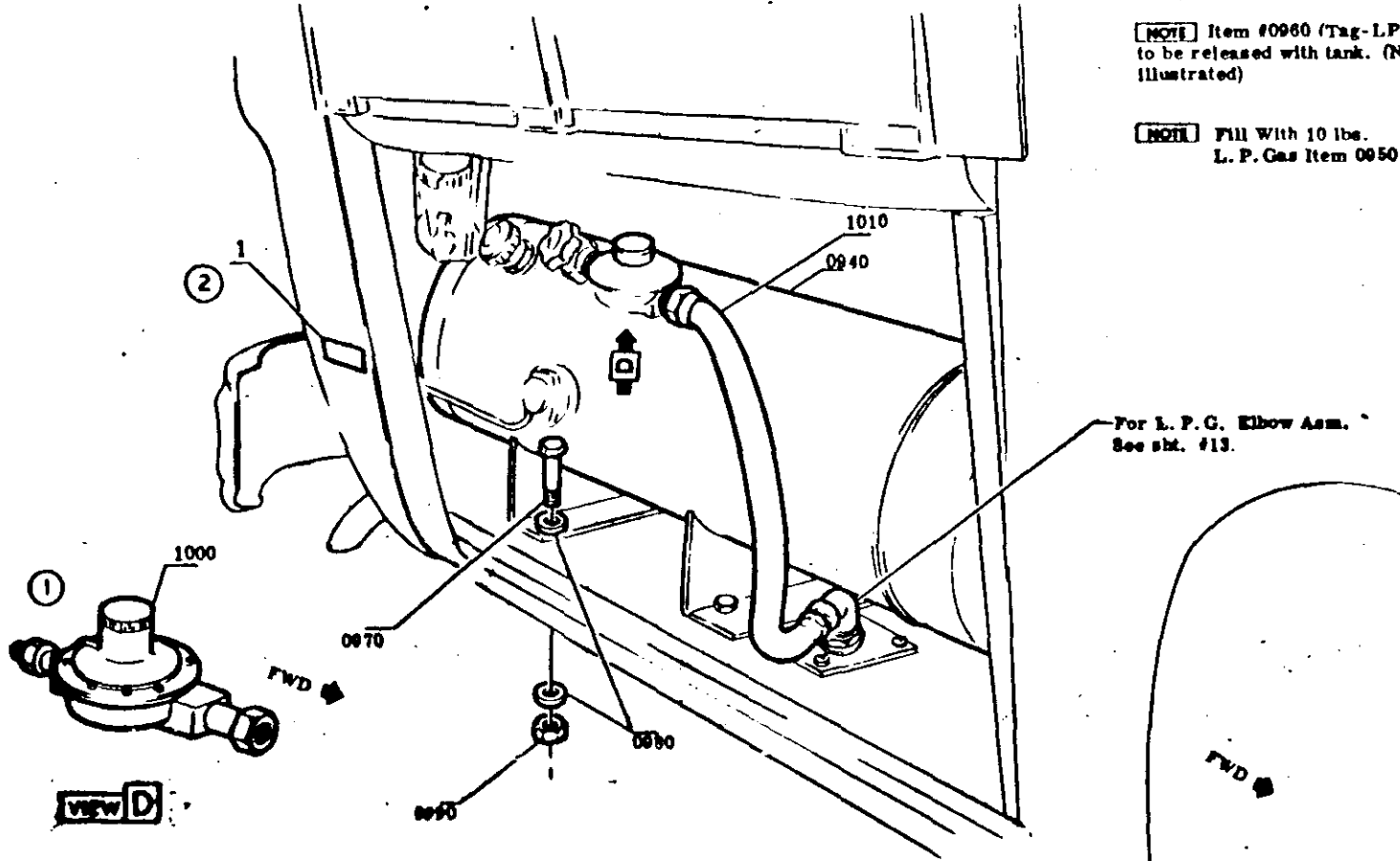
GMT 922 8/74



DYNAMIC (Installation) - LBS	RAMD (Inspection) - LBS	DATE	SYM	REVISION	AUTH	DR	CK	DEPARTMENTS	TRUCK	BOOK
△		7-87		ORIGINAL RELEASE					78	70
△									TITLE FRESH WATER PLUMBING - GALLEY MODULE ZE06581	
△									NAME MOTOR HOME PLUMBING	DIVISION/UPC 1K7
△									SHEET	12

□ ITEM REFERENCE ◇ PROCESS MATERIAL ▲ TORQUE ◻ PART OF AN ENGINE

GM 982 1/78



NOTE Item #0980 (Tag-L.P Gas) to be released with tank. (Not illustrated)

NOTE Fill With 10 lbs. L. P. Gas Item 0950

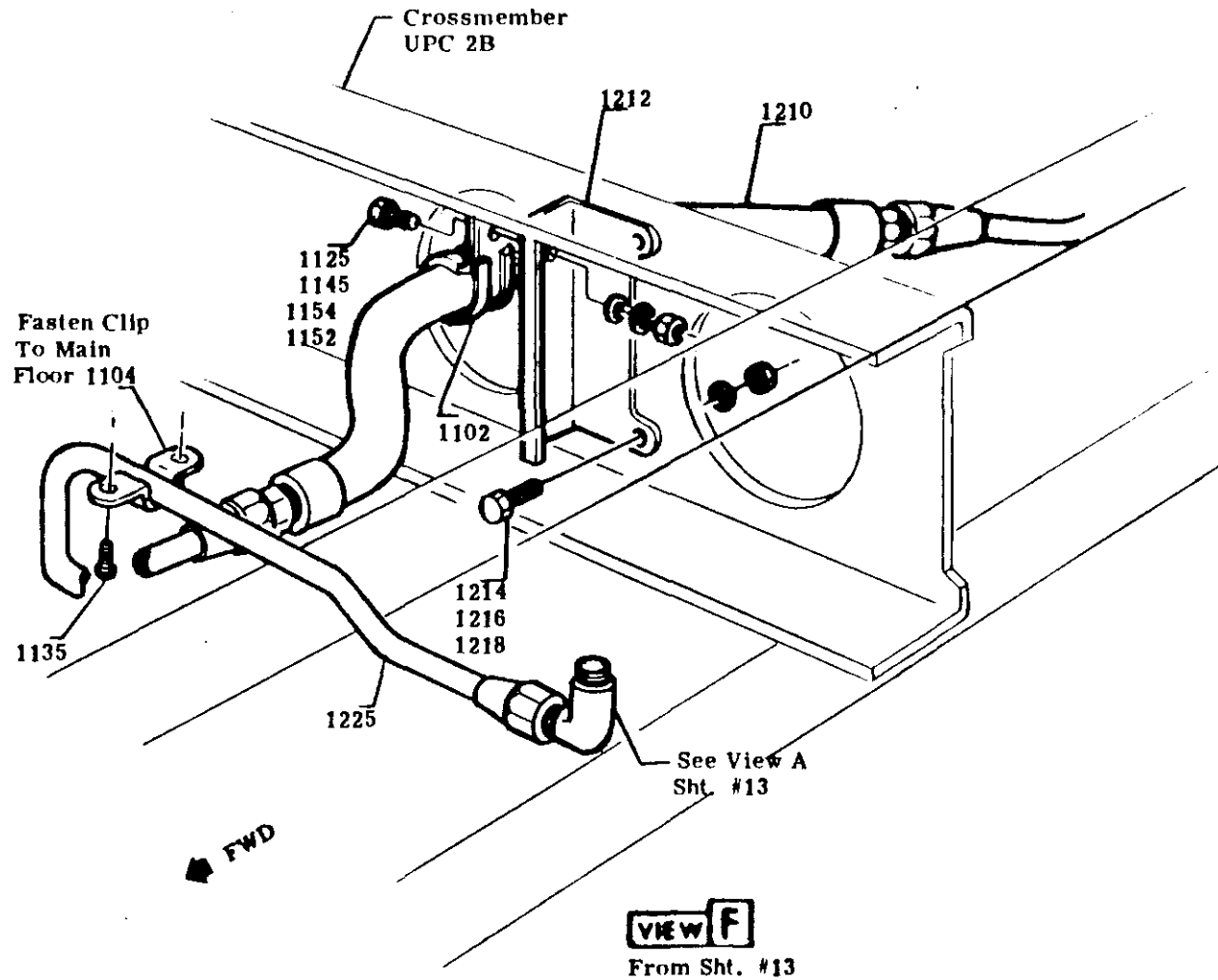
ITEM	QTY
0940	2005737
0950	8861345
0960	2052708
0970	180138
0980	120394
0990	9422277
1000	2035014
1010	790833
1	2032708

REV	DATE	DESCRIPTION	BY	CHK	APPROVED	TRUCK	BOOK
1		CROSSMILL RELEASE				78	70
2		FOR L.P.G. TUBE & TANK ASY.					
3							
4							
5							
6							
7							
8							
9							
10							
11							
12							
13							
14							
15							
16							
17							
18							
19							
20							
21							
22							
23							
24							
25							
26							
27							
28							
29							
30							
31							
32							
33							
34							
35							
36							
37							
38							
39							
40							
41							
42							
43							
44							
45							
46							
47							
48							
49							
50							
51							
52							
53							
54							
55							
56							
57							
58							
59							
60							
61							
62							
63							
64							
65							
66							
67							
68							
69							
70							
71							
72							
73							
74							
75							
76							
77							
78							
79							
80							
81							
82							
83							
84							
85							
86							
87							
88							
89							
90							
91							
92							
93							
94							
95							
96							
97							
98							
99							
100							

TRUCK	BOOK
78	70
L.P.G. TUBE & TANK ASY.	
MOTOR	OVERHAUL
HOME	TK7
PLUMBING	14
PRELIMINARY	

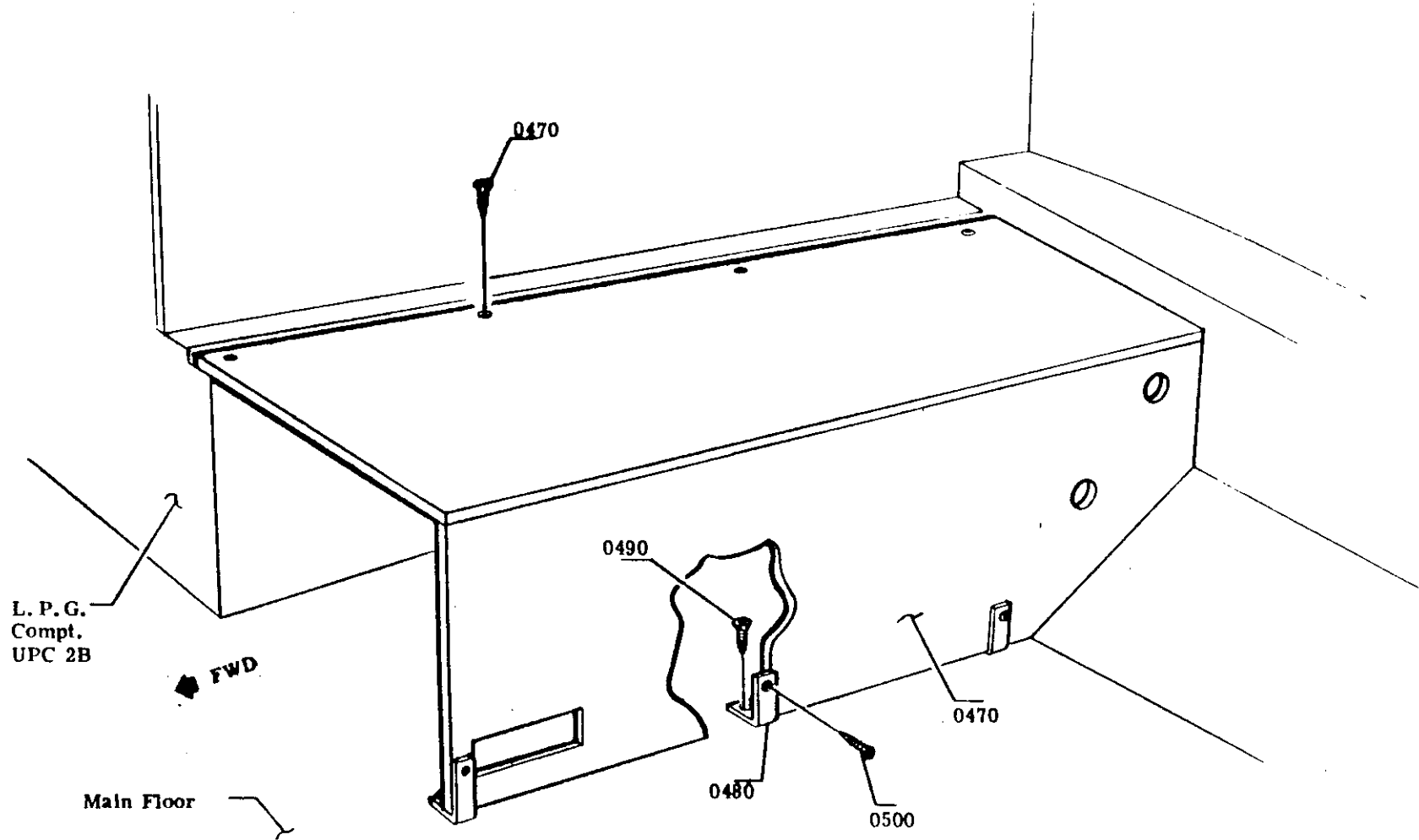


GMT 922 1/75



DYNAMIC (Installation) - LBS	HAZARD (Inspection) - LBS	DATE	SYM	REVISION	AUTH	DR	CR	DEPARTMENTS	978 TRUCK	BOOK 70
△		7/18/77		ORIGINAL RELEASE	42000	65	75		TITLE	
△									L. P. G. TUBE CLIPPING	
△									NAME MOTOR	DIVISION/UPC
△									HOME	7K7
△									PLUMBING	SHEET 15

GMT 922 1/75



BY (Installation) - LFS	DATE	SYN	REVISION	AMTH	DR	CR	DEPARTMENTS	TITLE
△ △ △ △	7-8-77		ORIGINAL RELEASE	117	117	117		70 TRUCK BOOK 70
								FRESH WATER TANK COMPARTMENT ZEO6581
								HOME MOTOR HOME PLUMBING
								DIVISION/PPC 1K7
								SHEET 17

ITEM	S E Q	PART OR TOOL DESCRIPTION	ADD'L DATA	QTY	PART NUMBER	ENGINE CODES	SERIES	BODY BRK	ITEM RESTRICTION	DEPARTMENTS		CHANGE		LOGIC CODE	FUNCTION CODE	ADDITIONAL CODES	FN	LINE NOS
										#1	2/STA	CD	AUTH					
AA02014		SANITARY/FRESH		*	L7095					0752								1.18
AA02024		WATER PLUMBING								0752								1.19
AA04014		WATERLINE		*	L6655					0752								1.11
AA05014		FRESH WAT TK		*	L6665					0752								1.13
AA05024		STRAP								0752								1.14
AA09014		LP GAS LINES		*	L6855				STD/UND	0752								1.16
AA10014		WATER PURIFIER		*	L8406				VNT	0752								1.11
AA11014		LPG TK LABEL		*	L9396					0752								1.20
AA11024		INSTR								0752								1.21
AA12014		LGT SCHEMATIC		*	L6782					0752								1.23
AA13014		WAT SYSTEM		*	L6781					0752								1.25
AA13024		SCHEMATIC								0752								1.26
AA14014		DHW DRN SYSTEM		*	L6784					0752								1.24
AA14024		SCHEMATIC								0752								1.24
AA15014		SANITARY/FRESH		*	L7095					0754								1.31
AA15024		WATER PLUMBING								0754								1.32
AA16014		WATERLINE		*	L6655					0754								1.34
AA17014		FRESH WAT TK		*	L6665					0754								1.35
AA17024		STRAP								0754								1.34
AA18014		LP GAS LINES		*	L6855				STD/UND	0754								1.23
AA19014		WATER PURIFIER		*	L8406				VNT	0754								1.44
AA20014		LPG TK LABEL		*	L9396					0754								1.42
AA20024		INSTR								0754								1.44
AA21014		LGT SCHEMATIC		*	L6782					0754								1.46
AA22014		WAT SYSTEM		*	L6781					0754								1.48
AA22024		SCHEMATIC								0754								1.48
AA23014		DHW DRN SYSTEM		*	L6784					0754								1.51
AA23024		SCHEMATIC								0754								1.52
AA24014		SANITARY/FRESH		*	L7095					0752								1.54
AA24024		WATER PLUMBING								0752								1.55

2606581

MODEL YEAR 1977
ORIGIN DATE 770725
LAST CHG DATE
LAST CHG CODE

MODEL APPLICATION
PLUMBING
UPC DESCRIPTION

70 1K7 A 1
BK U. P. C. OR AGE

PRODUCT DESCRIPTION MANUAL

ASSEMBLY INFORMATION

1MT 1061 REV. 8/78

GM TRUCK & COACH

ITEM	S E Q	P M S	RT OR TOOL DESCRIPTION	ADD'L DATA	Q T Y	PART NUMBER	ENGINE CODES	SERIES	DOY DRG	ITEM RESTRICTION	DEPARTMENTS		CHANGE		LOGIC CODE	FUNCTION CODE	ADDITIONAL CODES	FNA	NE NOS
											#1	2/STA	CD	AUTH					
AA25014			WATERLINE		*	L6655					0782								2.57
AA26014			FRESH WAT TK		*	L6665					0782								2.59
AA26024			STRAP								0782								2.61
AA27014			LP GAS LINES		*	L6855				STD/UND	0782								2.63
AA28014			WATER PURIFIER		*	L8406				VNT	0782								2.65
AA29014			LPG TK LABEL		*	L9396					0782								2.67
AA29024			INSTL								0782								2.68
AA30014			LGT SCHEMATIC		*	L6782					0782								2.69
AA31014			WAT SYSTEM		*	L6781					0782								2.69
AA31024			SCHEMATIC								0782								2.69
AA32014			DWV DRN SYSTEM		*	L6784					0782								2.69
AA32024			SCHEMATIC								0782								2.69
AA33014			SANITARY/FRESH		*	L7095					0784								2.69
AA33024			WATER PLUMBING								0784								2.69
AA34014			WATERLINE		*	L6655					0784								2.69
AA35014			FRESH WAT TK		*	L6665					0784								2.69
AA35024			STRAP								0784								2.69
AA36014			LP GAS LINES		*	L6855				STD/UND	0784								2.69
AA37014			WATER PURIFIER		*	L8406				VNT	0784								2.69
AA38014			LPG TK LABEL		*	L9396					0784								2.69
AA38024			INSTL								0784								2.69
AA39014			LGT SCHEMATIC		*	L6782					0784								2.69
AA40014			WAT SYSTEM		*	L6781					0784								2.69
AA40024			SCHEMATIC								0784								2.69
AA41014			DWV DRN SYSTEM		*	L6784					0784								2.69
AA41024			SCHEMATIC								0784								2.69
AA42014			SANITARY/FRESH		*	L7095					0786								2.69
AA42024			WATER PLUMBING								0786								2.69
AA43014			WATERLINE		*	L6655					0786								2.69

F M V S S	REFERENCE	7F06581	MODEL YEAR 1978 P
		MODEL APPLICATION	ORIGIN DATE 770725
		PLUMBING	LAST CHG DATE
		UPC DESCRIPTION	LAST CHG CODE
			70 1K7 A 2
			8K U. P. C. GR. AGE

PRODUCT DESCRIPTION MANUAL

ASSEMBLY INFORMATION

GMT 1061 REV. 8/78

GM TRUCK & COACH

ITEM QTY	PART OR TOOL DESCRIPTION	ADD. DAT	QTY	PART NUMBER	ENGINE CODES	ITEM RESTRICTION	DEPARTMENT		RANGE	LOGIC	FUNCTION	ADDITIONAL	SHA	LINE NOS.
							#1	2/ST						
AA4401	LSH WAT TK		*	16665										2.4
AA4402	SLAF													2.4
AA4501	LP GAS LINES		*	16855		STD/UND								2.4
AA4601	WATER PURIFIER		*	18406		INST								2.5
AA4701	LPG TK LABEL		*	19396										2.5
AA4702	INSTE													2.5
AA4801	LGT SCHEMATIC		*	16782										2.5
AA4901	WAT SYSTEM		*	16761										2.5
AA4902	SCHEMATIC													2.5
AA5001	UMV URN SYSTEM		*	16784										3.2
AA5002	SCHEMATIC													3.3
UG10AA	REGULATOR		1	2032349				0782	40	037240000400070			M00100	3.5
UG11AA	ELBOW, INLT		1	796779				0782	40	037240000400072			M00112	3.7
UG12AA	SCR INLET ASM		4	9418324				0782	40					3.6
UG14AA	WASHER		4	121752				0782	40					3.10
UG15AA	NUT		4	121752				0782	40					3.12
UG16AA	SLALER		*	8861620				0784	62					3.14
UG30AA	COMPARTMENT ASM		1	2012753				0704	14	0000140005				3.16
UG40AA	TAG		1	2032557				0784	63	0000635175				3.18
UG50AA	SCREW		6	9431915				0704	14					3.20
UG60AA	SEALER		*	R33056				0704	14					3.22
UG70AA	SEAL		1	2005011				0704	14	0000140010				3.24
UG80AA	RETAINER		1	9728247				0704	14	0000140020				3.26
UG90AA	TAPE		*	8860660				0704	14					3.28
UG94AA	FILLER ASM		1	2004698				0782	38	0000380100				3.30
UG96AA	CLIP ASM		3	791156				0786	78	0000785105				3.32
UG98AA	SCREW		3	9414713				0786	78					3.34

ZE06581

MODEL APPLICATION
PLUMBING
UPC DESCRIP

MODEL YEAR 1978
ORIGIN DATE 770725
LAST CHG. DATE 770819
LAST CHG. CODE 3726

70 1F A 3
BK V. P. 97F PAGE

1
2
3
4
5
6
F.M.V.

REFERENCE

PRODUCT DESCRIPTION MANUAL

ASSEMBLY INFORMATION

GMT 1061 REV. 3/78

GM TRUCK & COACH

ITEM	S E Q	P V S	PART OR TOGL DESCRIPTION	ADD'L DATA	Q T Y	PART NUMBER	ENGINE CODES	SERIES	BOV BRK	ITEM RESTRICTION	DEPARTMENTS		CHANGE		LOGIC CODE	FUNCTION CODE	ADDITIONAL CODES	FNA	LINE NOS.
											PT	2/STA	CD	AUTH					
0120AA			TANK ASM		1	2018854					0784	70			0000	705015			3.34
0130AA			SPACER		1	792861					0784	70			0000	705020			3.34
0140AA			DRAIN COCK		1	148344					0784	70			0000	705025			3.40
0150AA			ADAPTER		1	444112					0784	70			0000	705030			3.44
0160AA			CLAMP		1	2494772					0784	70			0000	705035			3.44
0170AA			SEALER		1	9980664					0784	70							3.44
0180AA			CLAMP		2	2393870					0784	70			0000	705040			3.44
0185AA			FTG FR WATER		1	680310					0784	70	5640	60000	0000	705070			3.50
0190AA			STRAP ASM		2	791721					0784	70			0000	705045			3.54
0200AA			BRKT WAT TK STRP		2	2021220					0784	70			0000	705050			3.54
0205AA			RIVET		4	70036R					0784	70							3.59
0210AA			ANCHOR		2	791566					0784	70			0000	705055			3.59
0220AA			NIPPLE		1	3838094					0784	70			0000	705060			4.1
0240AA			CONN		1	2061210					0784	70			0000	705065			4.3
0250AA			WASHER		1	138506					0784	70							4.4
0260AA			NUT		1	219758					0784	70							4.5
0270AA			TEE		1	444124					0784	70			0000	705175			4.7
0280AA			VALVE ASM		1	2429626					0784	70			0000	705160			4.17
0290AA			NIPPLE		1	2194031					0784	70			0000	705185			4.13
0300AA			CONN		1	652629					0784	70			0000	705190			4.13
0310AA			FILTERED ASW		1	2010322					0784	70			0000	705195			4.17
0320AA			TUBE		1	2001669					0784	70			0000	705200			4.19
0330AA			PUMP ASM		1	2006676					0784	70			0000	705205			4.21
0340AA			SCREW		4	9436991					0784	70							4.23
0350AA			WASHER		4	9421089					0784	70							4.23

F.M.V.S.S.	REFERENCE	2F065R1	MODEL YEAR 1971
		MODEL APPLICATION	ORIGIN DATE 770125
		PLUMBING	LAST CHG DATE
		UPC DESCRIPTION	LAST CHG CODE
			70 1K7 A 4
			BK U. P. C. GM AGE

ITEM	SEQ	P	M	RT OR TOOL DESCRIPTION	ADD'L DATA	QTY	PART NUMBER	ENGINE CODES	SERIES	BOY BRK	ITEM RESTRICTION	DEPARTMENTS		CHANGE CD	AUTH	LOGIC CODE	FUNCTION CODE	ADDITIONAL CODES	FN	LINE NOS
												#1	2/STA							
0390AA				FILTER ASM		1	2003132					0784	70			0000	705210			4.23
0400AA				TEF		1	795685					0784	70			0000	705215			4.29
0410AA				HOSE		*	R 32600					0784	70							4.31
0420AA				HOSE FRESH MAT	120 JM	*	8861196					0784	70							4.33
0440AA				PIPE ASM		1	790337					0784	62			0000	625075			4.35
0450AA				CLAMP		2	2465813					0784	70			0000	705220			4.37
0460AA				COMPARTMENT ASM		1	792170					0784	71			6000	715005			4.39
0470AA				SCREW		4	162532					0784	71							4.41
0480AA				BRACKET		3	792166					0784	70			0000	705225			4.43
0490AA				SCREW		3	9423753					0784	70							4.45
0500AA				SCREW		3	161375					0784	71							4.47
0510AA				TOILET ASM		1	702058			-ANW		0784	70			3513	705230			4.49
0510AB				TOILET ASM		1	702736			ANW		0784	70			3514	705230			4.50
0515AA				TUBE ASM		1	2026210			-ANW		0784	70			3513	705235			4.51
0515AC				TUBE ASM		1	2026212			ANW		0784	70			3514	705235			4.52
0516AA				COUPLING		1	798371			ANW		0784	70			3514	705240			4.53
0520AA				SCREW		8	161503					0784	90							4.54
0530AA				SEALER		*	8861493			-ANW		0784	90							4.55
0540AA				PIPE ASM		1	2027435					0784	62			0000	625080			5.02
0550AA				CLIP		2	791156					0784	62			0000	625085			5.04
0560AA				SCREW		5	9416716					0784	62							5.06
0570AA				CLIP		3	791156					0784	62			0000	625090			5.08
0580AA				SEAL		*	99R5041					0784	62							5.10
0590AA				SCREW CLIP		1	9416846					0784	62							5.12
0595AA				SCR FLR SEAL		24	9414713					0784	62							5.14
0600AA				GASKET		2	791948					0784	62			0000	625095			5.16

F.M.V.S.S.	REFERENCE	ZF06581	MODEL YEAR 1976
		MODEL APPLICATION PLUMBING	ORIGIN DATE 770725
		UPC DESCRIPTION	LAST CHG. DATE
			LAST CHG. CODE
			70 JK7 A 5
			BK U. P. C. QMP 98

ITEM #	DESCRIPTION	ADD'L DATA	QTY	PART NUMBER	ENGINE CODES	SERIES	BODY BRK	ITEM TRICTION	DEPARTMENT#		CHANGE		LOGIC CODE	FUNCTION CODE	ADDITIONAL CODES	PK	LINE #
									#1	2/STA	CD	AUTH					
0610AA	CLIP		8	708513					0784	62			0000	625100			5.18
0620AA	STRAP		21	666543					0784	62			0000	625105			5.20
0630AA	FAUCET ASM		1	2028735					0784	70			0000	705245			5.22
0640AA	FAUCET ASM		1	705784					0784	67			0000	675055			5.24
0650AA	ADAPTER		1	444040					0784	67			0000	675060			5.24
0660AA	HEAD ASM SHOWER		1	2025601					0784	67			0000	675065			5.28
0662AA	HOSE ASM SHOWER		1	2025602				-VNH802 (CALIFORNIA)	0784	67			1157	675045			5.30
0662AB	HOSE ASM SHOWER		1	2025603				VNH802 (CALIFORNIA)	0784	67			0480	675045			5.31
0664AA	WASHER HOSE		2	2025600					0784	67							5.33
0666AA	GROMMET HOSE		1	2024405					0784	67							5.35
0668AA	HOOK SHOWERHEAD		1	2025605					0784	67			0000	675055			5.36
0670AA	SCREW SHOWER		2	9417987					0784	67							5.37
0675AA	COVER		2	2025606					0784	67			0000	675070			5.41
0680AA	VALVE ASM		1	796778					0784	67			0000	675072			5.43
0682AA	CLIP VALVE ASM		1	719178					0784	67			0000	675090			5.45
0684AA	SCREW CLIP		1	9416843					0784	67							5.47
0686AA	WA SCR CLIP		1	120392					0784	67							5.49
0690AA	ELPDW		1	796779					0784	67			0000	675075			5.51
0700AA	NIPPLE		1	9427747					0784	67			0000	675060			5.53
0720AA	TUBE GALLEY DRN	48 IN.	*	9860807					0784	62							5.55
0722AA	PIPE ASM		1	2026865					0784	67			0000	675050			5.57
0724AA	WASHER		1	2026864					0784	67							5.59
0726AA	NUT		1	2026847					0784	67							6.2
0728AA	WASHER		2	2020885					0784	67							6.4
0730AA	COVER DRN TRAP		1	2008138					0784	62			0000	625110			6.6
0732AA	PIPE ASM		1	2026861					0784	62			0000	625115			6.7
0740AA	SCREW COVER		10	9422037					0784	62							6.9

ZF06581

MODEL YEAR 1978
 ORIGIN DATE 770725
 LAST CHG. DATE
 LAST CHG. CODE

MODEL APPLICATION
 PLUMBING
 UPC DESCRIPTION

70 IN7 A 6
 BK U. P. C. GMP PAGE

PRODUCT DESCRIPTION MANUAL

ASSEMBLY INFORMATION

GMT 1081 REV. 8/78

GENIE TRUCK & COACH

ITEM	SEQ	PVS	ART OR TOOL DESCRIPTION	ADD'L DATA	QTY	PART NUMBER	ENGINE CODES	SERIES	BOY	ITEM RESTRICTION	DEPARTMENTS		CHANGE		LOGIC CODE	FUNCTION CODE	ADDITIONAL CODES	FNA	LINE NOS
											#1	2/STA	CD	AUTH					
0745AA			SEAL		2	2026863					0784	62			0000	625120			6.1
0750AA			SEALER		*	9985041					0714	62							6.1
0760AA			TANK ASM		1	2005305					0784	62			0000	625125			6.1
0770AA			CLAMP HOT WAT		16	2468819					0784	62			0000	625130			6.1
0780AA			SUPT ASM		1	2005633					0784	62			0000	625135			6.2
0790AA			SCREW		4	9420432					0784	62							6.2
0800AA			VALVE		1	148344					0784	62			0000	625140			6.2
0810AA			BOLT		4	9417950					0784	62							6.2
0820AA			WASHER		8	9418304					0784	62							6.2
0830AA			WA LK		4	103320					0784	62							6.3
0840AA			NUT 20x25 FT #		4	9417954					0784	62							6.3
0850AA			HOSE TK DRAIN	1/4 IN	*	34825					0784	62							6.3
0860AA			CLAMP TBE		2	2494772					0784	62			0000	625145			6.3
0870AA			TUBE TK DRAIN		*	R 32600					0784	62							6.3
0880AA			BULKHEAD ASM		1	790058					0704	9			0000	090160			6.4
0890AA			BASKET		1	791238					0704	9			0000	090165			6.4
0895AA			RIVET BLKHD ASM		4	700368					0704	9							6.4
0900AA			TEE		1	711949					0784	62			0000	625050			6.4
0910AA			TEE ASM		2	791675					0784	62			0000	625155			6.4
0930AA			CLIP		1	674904					0784	67			0000	675095			6.5
0940AA			TANK ASM LP		1	2005737					0782	41			0000	410200			6.5

7F06581

MODEL APPLICATION
PLUMBING
UPC DESCRIPTION

MODEL YEAR 1978
ORIGIN DATE 770725
LAST CHG. DATE
LAST CHG. CODE
70 PK7 A
BK U. P. C. QRP 108

F.M.V.S.S.

REFERENCE

PRODUCT DESCRIPTION MANUAL

ASSEMBLY INFORMATION

3MT 1081 REV. 6/78

GM TRUCK & COACH

ITEM	QTY	PART DESCRIPTION	ADD'L DATA	QTY	PART NUMBER	ENGINE CODES	SERIES	BODY	ITEM RESTRICTION	DEPARTMENTS		CHANGE		LOGIC CODE	FUNCTION CODE	ADDITIONAL CODES	FNA	LINE NOS
										#1	2/STA	CD	AUTH					
0950AA		GAS LP 10 LB		*	8861345					0758	100							6.55
0960AA		TAG LP GAS		1	2032708					0784	63			0000	635180			6.57
0965AA		LABEL METHYL TK		1	2027855					0782	40			0000	400075			6.59
0970AA		BOLT MT TK		4	180138					0782	41							7.2
0990AA		WASHER MT TK		8	120394					0782	41							7.3
0990AA		NUT MT TK		4	9422277					0782	41							7.4
1000AA		VALVE ASM		1	2033014					0782	41	0281		0000	410205			7.5
1010AA		HOSE ASM		1	790833					0782	41			0000	410210			7.6
1020AA		PLATE		2	790057					0782	41			0000	410215			7.7
1030AA		GASKET		1	791237					0782	41			0000	410220			7.8
1040AA		SCREW		8	9421151					0782	41							7.9
1050AA		SEALER		*	R35174					0702	6							7.10
1060AA		ELBOW		2	109429					0702	6			0000	060160			7.20
1070AA		ELBOW		2	109429					0782	41			0000	410225			7.22
1080AA		COUPLING ASM		2	2215842					0782	41			0000	410230			7.24
1090AA		BRACKET		2	792711					0786	75			0000	755025			7.26
1100AA		NUT		2	116488					0786	78							7.28
1102AA		CLIP LP TUBE		1	719178					0786	67			0000	675100			7.30
1104AA		CLAMP		4	2026823					0786	78			0000	785120			7.32
1110AA		CLIP LP TUB		6	2488390					0786	78			0000	785110			7.34
1120AA		CLIP LP TUB		3	2493419					0786	78			0000	785115			7.36
1125AA		SCREW TB CLIP		1	9418967					0786	78							7.38
1130AA		SCREW		6	9418968					0786	78							7.40
1135AA		SCREW TB CLIP		5	9421151					0786	78							7.42
1140AA		WASHER		6	138489					0786	78							7.44

7E065R1

MODEL APPLICATION
PLUMBING
UPC DESCRIPTION

MODEL YEAR 1978
ORIGIN DATE 770725
LAST CHG. DATE
LAST CHG. CODE

70 1K7 A B
BK U. F. C. OR AGE

F M V L L

REFERENCE



PRODUCT DESCRIPTION MANUAL

ASSEMBLY INFORMATION

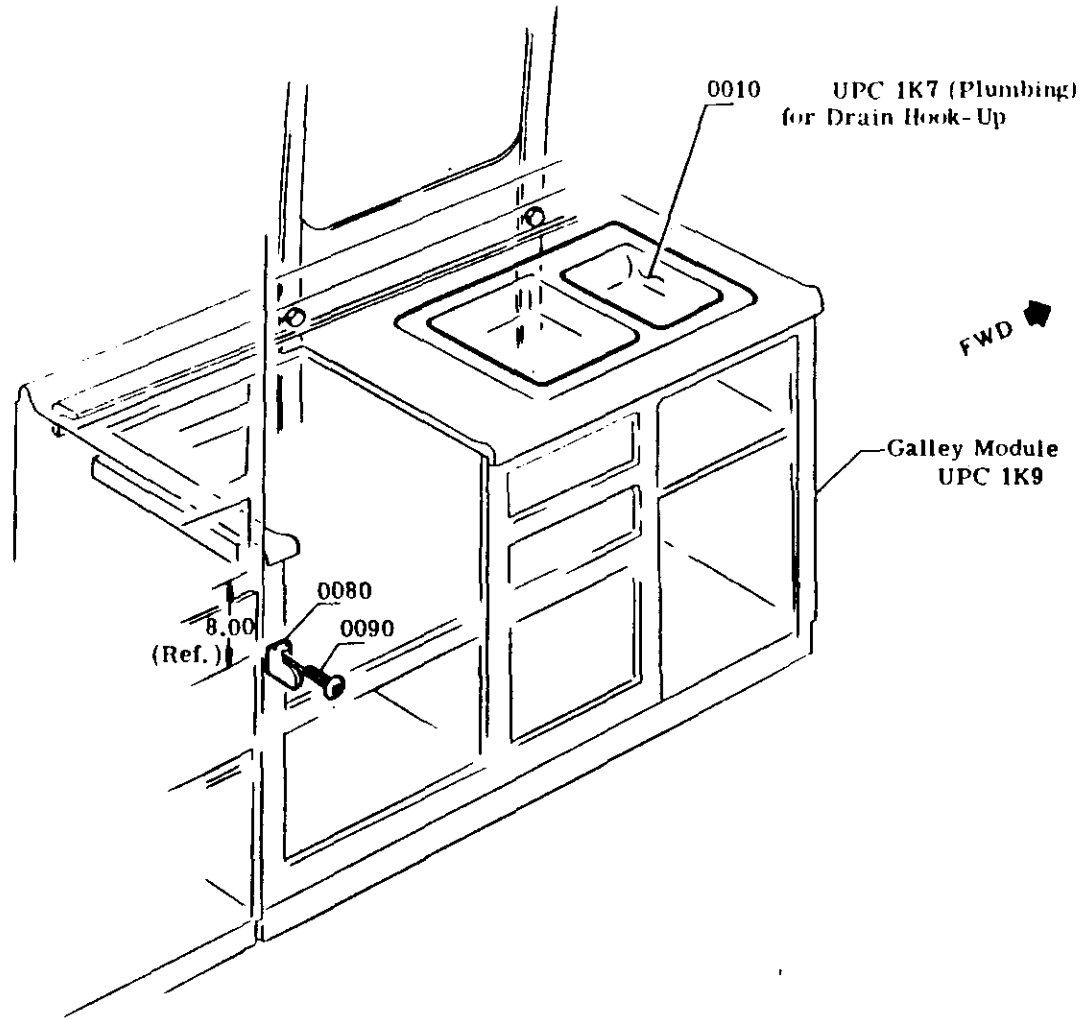
GMT 1061 REV. 6/78

ITEM	SEQ	M/S	PART OR TOOL DESCRIPTION	ADD'L DATA	QTY	PART NUMBER	ENGINE CODES	SERIES	BODY BRK	ITEM RESTRICTION	DEPARTMENTS		CHANGE		LOGIC CODE	FUNCTION CODE	ADDITIONAL CODES	FNA	LINE NOS.
											#1	2/STA	CD	AUTH					
1300AA			TUBE ASM		1	2028123					0784	66			0000665040				8.35
1302AA			VALVE SHUT OFF		1	2027489					0784	63			0000635185				8.37
1304AA			ELBOW		1	2027490					0784	63			0000635190				8.39
1309AA			TUBE VLV/EURN		1	2028121					0784	63			0000635195				8.41
1308AA			CONN TB/EURN		1	2324175					0784	63			0000635200				8.43
1311AA			ANTI-FREEZE		*	8661344					0758	100							8.45
1320AA			PURIFIER ASM		1	798360			VNT		0784	70			3516705250	M			8.47
1330AA			STRAP ASM		1	798682			VNT		0784	70			3516705255	M			8.49
1340AA			LAMP		1	2393870			VNT		0784	70			3516705260	M			8.51
1350AA			SCREW		2	9416639			VNT		0784	70							8.53
1360AA			WASHER		2	9419892			VNT		0784	70							8.55
1370AA			NUT		1	9422275			VNT		0784	70							8.57
1380AA			WASHER		1	9418304			VNT		0784	70							8.59
1390AA			SEALER		*	K 35174			VNT		0784	70							9.2

1 2 3 4 5 6 7 8 9 10 11 12 13 14 15 16 17 18 19 20 21 22 23 24 25 26 27 28 29 30 31 32 33 34 35 36 37 38 39 40 41 42 43 44 45 46 47 48 49 50 51 52 53 54 55 56 57 58 59 60 61 62 63 64 65 66 67 68 69 70 71 72 73 74 75 76 77 78 79 80 81 82 83 84 85 86 87 88 89 90 91 92 93 94 95 96 97 98 99 100 101 102 103 104 105 106 107 108 109 110 111 112 113 114 115 116 117 118 119 120 121 122 123 124 125 126 127 128 129 130 131 132 133 134 135 136 137 138 139 140 141 142 143 144 145 146 147 148 149 150 151 152 153 154 155 156 157 158 159 160 161 162 163 164 165 166 167 168 169 170 171 172 173 174 175 176 177 178 179 180 181 182 183 184 185 186 187 188 189 190 191 192 193 194 195 196 197 198 199 200 201 202 203 204 205 206 207 208 209 210 211 212 213 214 215 216 217 218 219 220 221 222 223 224 225 226 227 228 229 230 231 232 233 234 235 236 237 238 239 240 241 242 243 244 245 246 247 248 249 250 251 252 253 254 255 256 257 258 259 260 261 262 263 264 265 266 267 268 269 270 271 272 273 274 275 276 277 278 279 280 281 282 283 284 285 286 287 288 289 290 291 292 293 294 295 296 297 298 299 300 301 302 303 304 305 306 307 308 309 310 311 312 313 314 315 316 317 318 319 320 321 322 323 324 325 326 327 328 329 330 331 332 333 334 335 336 337 338 339 340 341 342 343 344 345 346 347 348 349 350 351 352 353 354 355 356 357 358 359 360 361 362 363 364 365 366 367 368 369 370 371 372 373 374 375 376 377 378 379 380 381 382 383 384 385 386 387 388 389 390 391 392 393 394 395 396 397 398 399 400 401 402 403 404 405 406 407 408 409 410 411 412 413 414 415 416 417 418 419 420 421 422 423 424 425 426 427 428 429 430 431 432 433 434 435 436 437 438 439 440 441 442 443 444 445 446 447 448 449 450 451 452 453 454 455 456 457 458 459 460 461 462 463 464 465 466 467 468 469 470 471 472 473 474 475 476 477 478 479 480 481 482 483 484 485 486 487 488 489 490 491 492 493 494 495 496 497 498 499 500 501 502 503 504 505 506 507 508 509 510 511 512 513 514 515 516 517 518 519 520 521 522 523 524 525 526 527 528 529 530 531 532 533 534 535 536 537 538 539 540 541 542 543 544 545 546 547 548 549 550 551 552 553 554 555 556 557 558 559 560 561 562 563 564 565 566 567 568 569 570 571 572 573 574 575 576 577 578 579 580 581 582 583 584 585 586 587 588 589 590 591 592 593 594 595 596 597 598 599 600 601 602 603 604 605 606 607 608 609 610 611 612 613 614 615 616 617 618 619 620 621 622 623 624 625 626 627 628 629 630 631 632 633 634 635 636 637 638 639 640 641 642 643 644 645 646 647 648 649 650 651 652 653 654 655 656 657 658 659 660 661 662 663 664 665 666 667 668 669 670 671 672 673 674 675 676 677 678 679 680 681 682 683 684 685 686 687 688 689 690 691 692 693 694 695 696 697 698 699 700 701 702 703 704 705 706 707 708 709 710 711 712 713 714 715 716 717 718 719 720 721 722 723 724 725 726 727 728 729 730 731 732 733 734 735 736 737 738 739 740 741 742 743 744 745 746 747 748 749 750 751 752 753 754 755 756 757 758 759 760 761 762 763 764 765 766 767 768 769 770 771 772 773 774 775 776 777 778 779 780 781 782 783 784 785 786 787 788 789 790 791 792 793 794 795 796 797 798 799 800 801 802 803 804 805 806 807 808 809 810 811 812 813 814 815 816 817 818 819 820 821 822 823 824 825 826 827 828 829 830 831 832 833 834 835 836 837 838 839 840 841 842 843 844 845 846 847 848 849 850 851 852 853 854 855 856 857 858 859 860 861 862 863 864 865 866 867 868 869 870 871 872 873 874 875 876 877 878 879 880 881 882 883 884 885 886 887 888 889 890 891 892 893 894 895 896 897 898 899 900 901 902 903 904 905 906 907 908 909 910 911 912 913 914 915 916 917 918 919 920 921 922 923 924 925 926 927 928 929 930 931 932 933 934 935 936 937 938 939 940 941 942 943 944 945 946 947 948 949 950 951 952 953 954 955 956 957 958 959 960 961 962 963 964 965 966 967 968 969 970 971 972 973 974 975 976 977 978 979 980 981 982 983 984 985 986 987 988 989 990 991 992 993 994 995 996 997 998 999 1000	REFERENCE	ZE06581 MODEL APPLICATION PLUMBING UPC DESCRIPTOR	MODEL YEAR 1978 ORIGIN DATE 770725 LAST CHG DATE LAST CHG CODE 70 1K7 4 10 BK U P C . NP PAGE
---	-----------	---	--

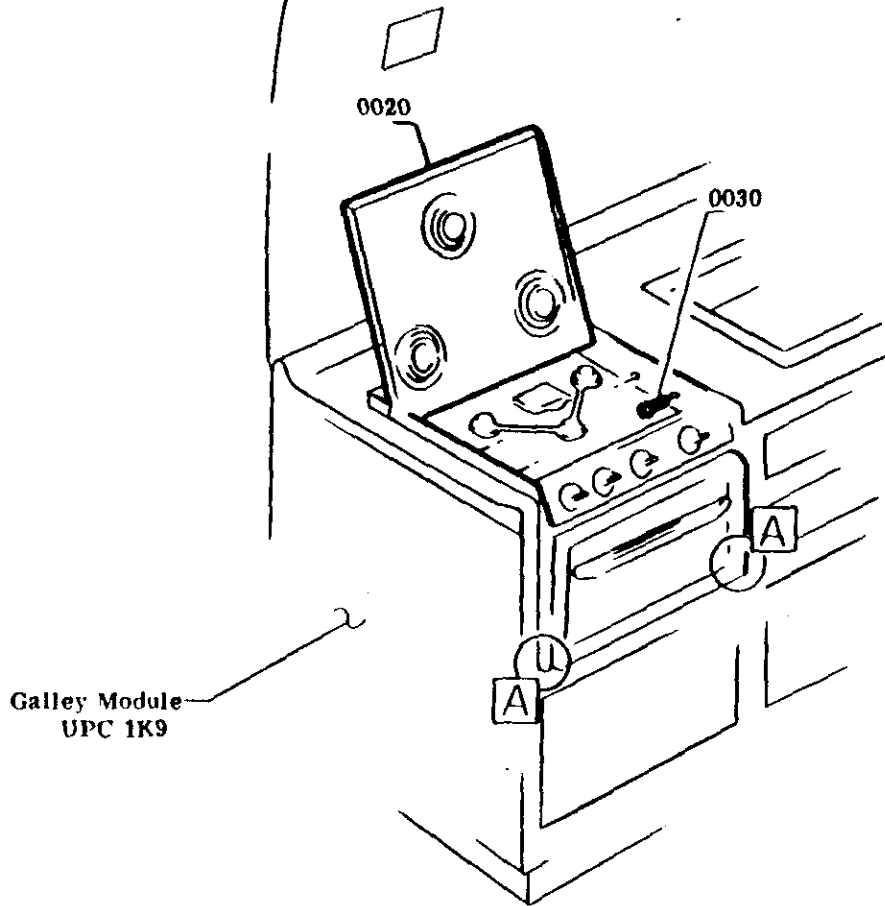


GMT 922 1/75

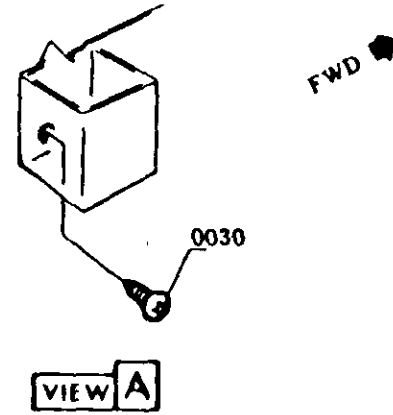


DYNAMIC (Inspection) - LBS	HAZ (Inspection) - LBS	DATE	SYM	REVISION	AUTH	DR	CR	DEPARTMENTS	78 TRUCK	BOOK 70
△		7-17		ORIGINAL RELEASE	47000			THOMPSON		
△									TITLE	
△									SINK ASM.	
△									ZE06581	
△									NAME	
△									GALLEY & APPLIANCES	
									DIVISION/UPC	
									1K8	
									SHEET	
									1	

GM 2 1-73



Galley Module
UPC 1K9

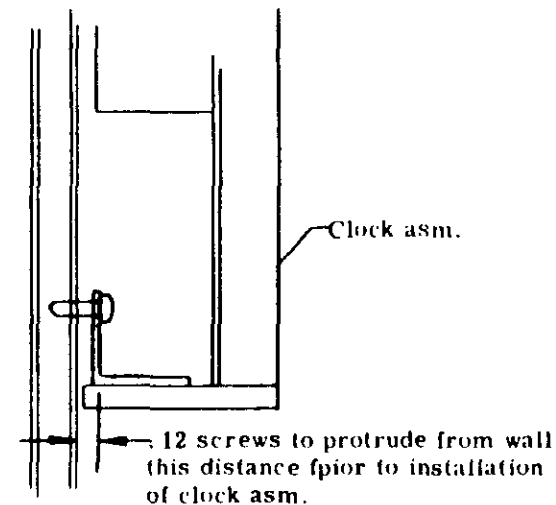
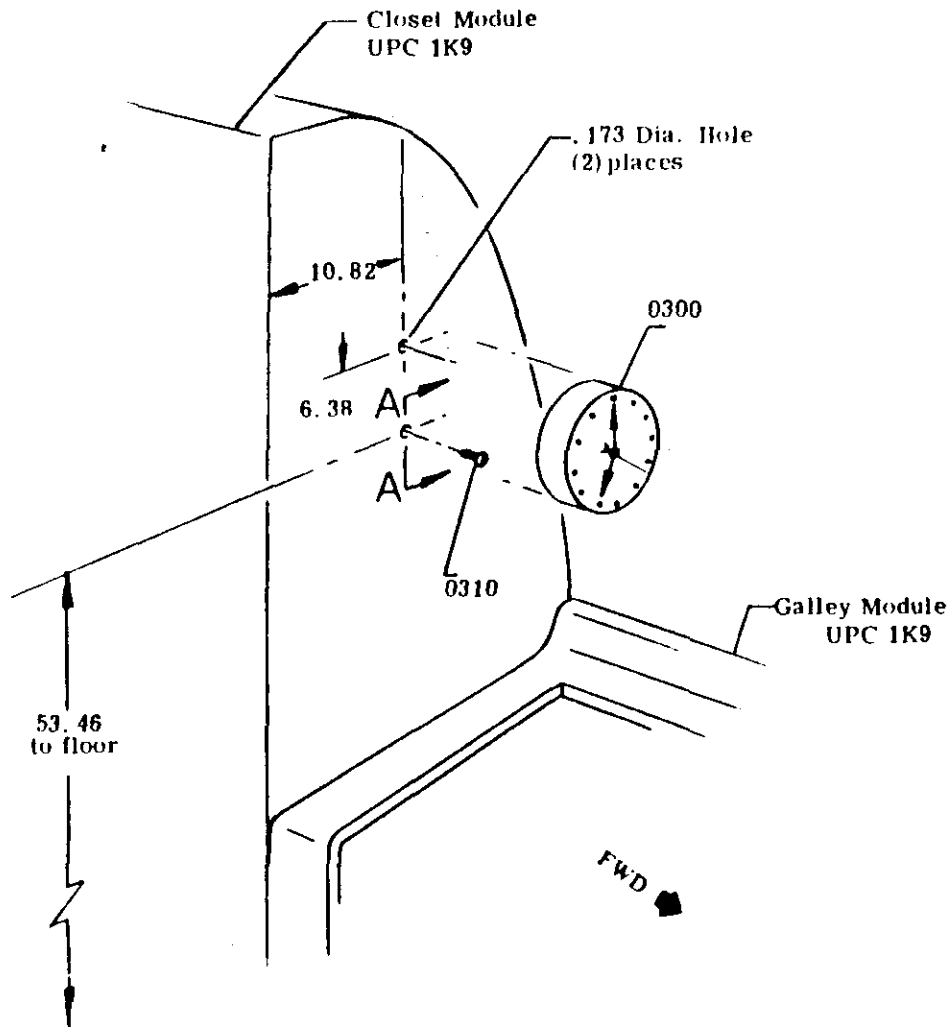


VIEW A

DYNAMIC (Installation) - LBS	MAINT (Inspection) - LBS	DATE	SYM	REVISION	AUTH	DR	CR	DEPARTMENTS	'78 TRUCK BOOK 70		
▲ ▲ ▲ ▲		75-77		ORIGINAL RELEASE	#7000			THOMPSON	TITLE		
									RANGE ASSEMBLY		
									ZE06581		
									NAME	DIVISION	SHEET
									GALLEY & APPLIANCES	1K8	2



GMT 922 1/75



SECTION A-A
Typical (2) places

NOTE All dimensions are reference only.

DYNAMIC (Installation) - LPS	NAHD (Inspection) - LPS	DATE	SYM	REVISION	AUTH	DR	CR	DEPARTMENTS	TITLE
	▲	7-5-77		ORIGINAL RELEASE	47000	S	77	THE MECHANICAL	78 TRUCK
	▲								BOOK 70
	▲								GALLEY CLOCK ASM. W UNF
	▲								NAME GALLEY & APPLIANCES
	▲								DIVISION/UPC 1K8
	▲								SHEET 7

PRODUCT DESCRIPTION MANUAL

ASSEMBLY INFORMATION

QMT 1061 REV. 8/76

GMV TRUCK & COACH

ITEM	SEQ	P	PART OR TOOL DESCRIPTION	ADD'L DATA	QTY	PART NUMBER	ENGINE CODES	SERIES	REV BRK	ITEM RESTRICTION	DEPARTMENTS		CHANGE		LOGIC CODE	FUNCTION CODE	ADDITIONAL CODES	FNA	LINE NOS
											#1	2/STA	CD	AUTH					
AA01	01	4	EXTERIOR VENT								07E4								1.3
AA01	02	4	INSTL		*	L689Z					07E4								1.9
AA02	01	4	REFRIG MODULE								07E4								1.11
AA02	02	4	INSTL		*	L666Z					07E4								1.12
AA03	01	4	GALLEY MODULE &		*	L664R					07E4								1.14
AA03	02	4	STOVE								07E4								1.15
AA06	01	4	CLOCK DRILL &								07E4								1.11
AA06	02	4	INSTL		*	MD12909				UNF	07E4								1.12
AA07	01	4	VAC CLR PWR								07E4								1.20
AA07	02	4	UNIT & ATTACH		*	L761R				UNF	07E4								1.21

ZE065R1

MODEL YEAR 197P
 ORIGIN DATE 770726
 LAST CHG DATE
 LAST CHG CODE

MODEL APPLICATION
 GALLEY & APPI CES
 UPC DESCRIPTION

70 IKR A 1
 BK U. P. C. OMP PAGE

PRODUCT DESCRIPTION MANUAL

ASSEMBLY INFORMATION

IMT 1001 REV. 8/78

CONVEYOR & CRACKER

ITEM	S E Q	P M S	PART OR TOOL DESCRIPTION	ADD'L DATA	Q T Y	PART NUMBER	ENGINE CODES	SERIES	REV	ITEM RESTRICTION	DEPARTMENTS		CHANGE		LOGIC CODE	FUNCTION CODE	ADDITIONAL CODES	FNA	LINE NOS.
											#1	2/STA	CD	AUTH					
AA0801A			FIRE EXT INST		*	L6646					0784								1.23
AA0901A			REFRIG & VENT		*	L9552					0784								1.25
AA0902A			SEALS INST								0784								1.26
AA1001A			MICROWAVE OVEN		*	L9572				UND	0784								1.28
AA1101A			PLUMBING LAYOUT		*	L7095				685	0784								1.30
AA1201A			MICROWAVE INSTL		*	L9146				685	0784								1.32
0010AA			SINK ASM GALLEY		1	2027437				81	0784	70			0000	705265			1.34
0020AA			RANGE ASM		1	2005742				-685/UND	0784	69			0293	695035			1.36
0025AP			TOP ASM		1	2025476				685/UND	0784	67			0297	6751C5			1.38
0030AA			SCREW		6	9419915				-UND	0784	69							1.40
0030AP			SCREW		4	9419915				UND	0784	69							1.41
0040AA			LPEVENT ASM		1	791177					0786	78			0000	785130			1.43
0050AA			SCREW		12	9415927					0704	8							1.45
0060AA			SEALER		*	RR61024					0704	8							1.47
0070AA			RIVNUT		12	2004512					0704	8							1.49
0080AA			STOP DR		1	790377					0784	70			0000	705270			1.51
0090AA			SCREW DR STOP		2	9419791					0784	71							1.53
0100AA			REFRIGERATOR		1	2031329					0784	70			0372	90000	705275		1.55
0110AA			SCREW		4	9418622					0786	78							1.57
0150AA			SEAL		1	791966					0784	70			0000	705280			1.59
0180AA			CLEANER ASM		1	706103				UNL	0784	67			3518	675110			2.2
0190AA			SCREW		2	162113				UNL	0784	67							2.4
0200AA			WASHER		2	121801				UNL	0784	67							2.6
0210AA			SPACFR		2	2303094				UNL	0784	67			3518	675115			2.8
0220AA			SCREW		2	9416485				UNL	0784	67							2.10
0230AA			WASHER		2	120423				UNL	0784	67							2.12

ZF06581

MODEL APPLICATION
GALLEY & APPLT
UPC DESCRIPTION

MODEL YEAR 1971
ORIGIN DATE 770726
LAST CHG. DATE
LAST CHG. CODE
70 1KB A
BK U. P. C. OPP M

PRODUCT DESCRIPTION MANUAL

ASSEMBLY INFORMATION

DMT 1001 REV. 6/76

GMC TRUCK & COACH

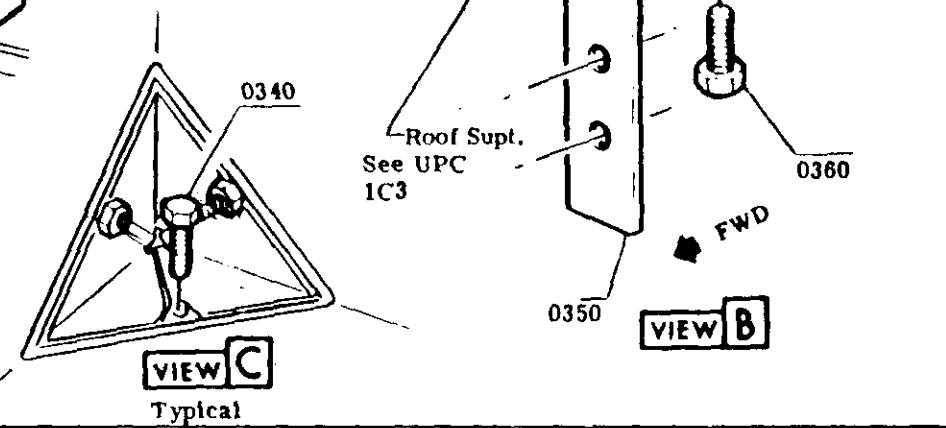
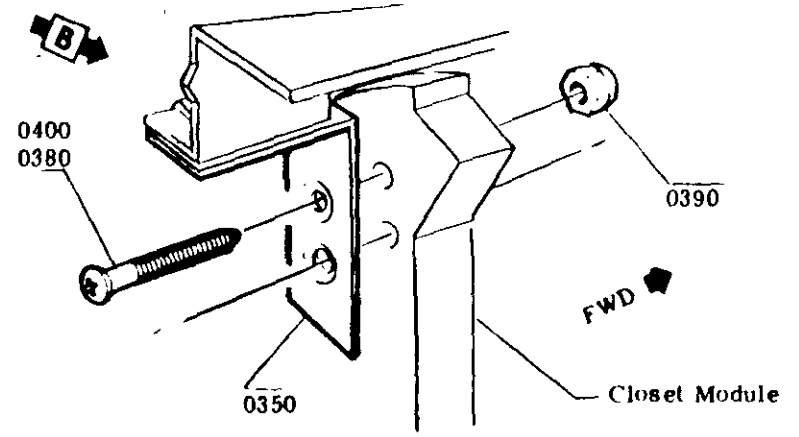
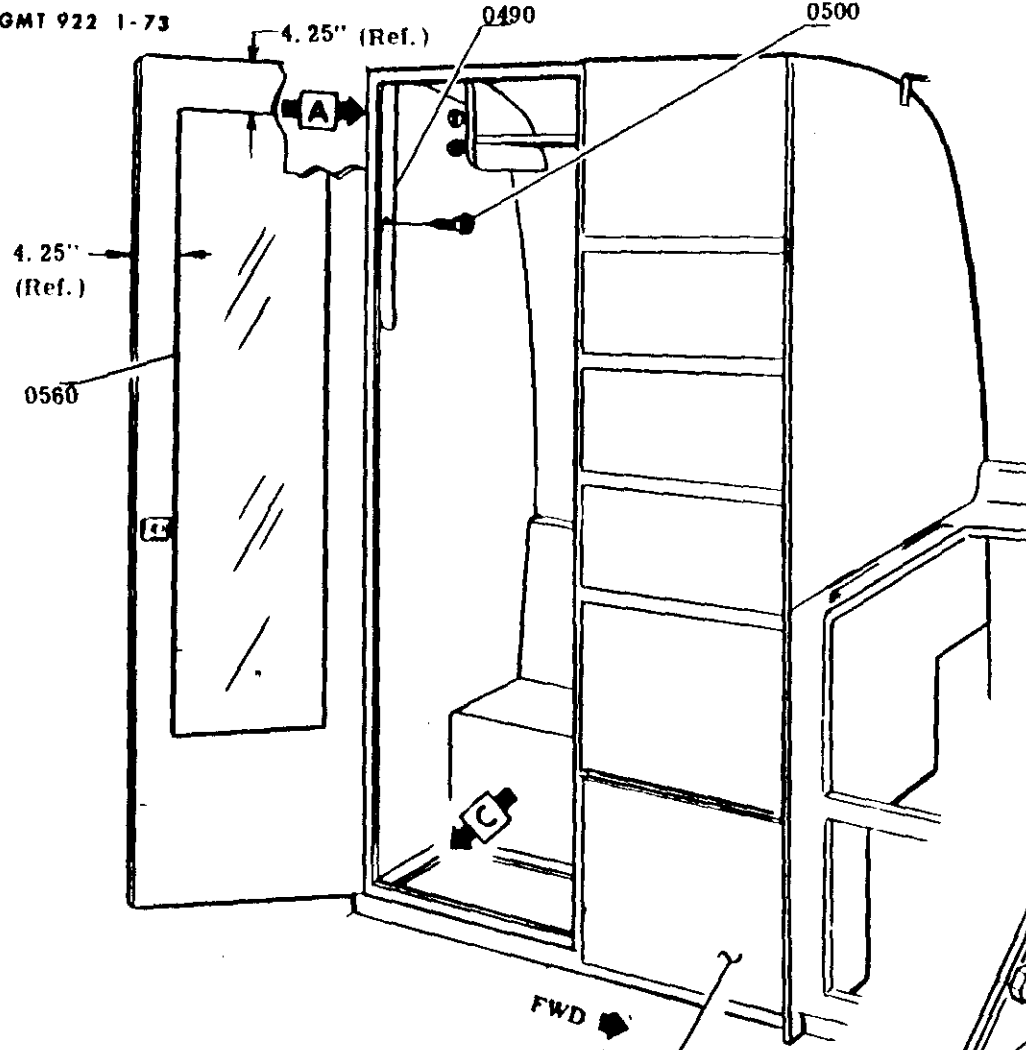
ITEM	S E Q	P R	ART OR TOOL DESCRIPTION	ADD'L DATA	Q T Y	PART NUMBER	E N G I N E C O D E S	S E R I E S	B O V B R	ITEM RESTRICTION	D E P A R T M E N T S		C H A N G E		L O G I C C O D E	F U N C T I O N C O D E	A D D I T I O N A L C O D E S	F N A	L I N E N O S	
											61	2/5TA	CD	AUTH						
0240AA			SCREW		2	9414714				UNI	0784	67								2.16
0250AA			WASHER		2	131015				UNI	0784	67								2.16
0260AA			SCREW		2	161902				UNI	0784	67								2.18
0300AA			CLOCK GALLEY		1	796200				UNE	075R	100			251R	105020				2.20
0310AA			SCREW		2	9414723				UNE	0784	67								2.22
0320AA			BRACKET		2	2029532				UND	0784	67			0294	675120				2.25
0330AA			BOLT		4	9419004				UND	0784	67								2.27
0340AA			WASHER		4	120392				UND	0784	71								2.29
0350AA			WASHER LK		4	103319				UND	0784	67								2.31
0360AA			GROMMET		1	3786405				6R5/UND	0784	63								2.33
0370AA			OVEN ASM, MICRO		1	2025475				6R5	0784	63			6037	635205				2.35
0370AB			OVEN ASM, MICRO		1	2029240				UND	0784	63			0294	635205				2.36
0380AA			BRKT ASM		2	2026272				6R5	0784	63			0294	635210				2.38
0390AA			SCREW		4	9416136				6R5	0784	63								2.40
0390AB			SCREW		4	155871				UND	0784	63								2.41
0400AA			BOLT		4	106320				6R5	0784	63								2.43

F.M.V.S.S.	REFERENCES	25065R1	MODEL YEAR 197F
		MODEL APPLICATION GALLEY & APPL' YES	ORIGIN DATE 770726
		UPC DESCRIPTION	LAST CHG. DATE
			LAST CHG. CODE
			70 1K8 A
			BK U. P. C. 9MP 08

L

□ ITEM REFERENCE ◇ PROCESS MATERIAL ▲ TORQUE ■ PART OF OR EXISTING

GMT 922 1-73



NOTE Apply Deadener 1060 to Inside Surface of 1060 Compressor Compartment Door

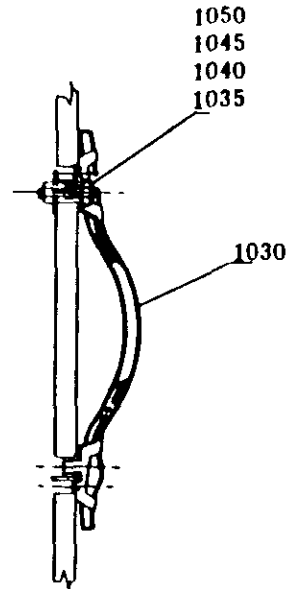
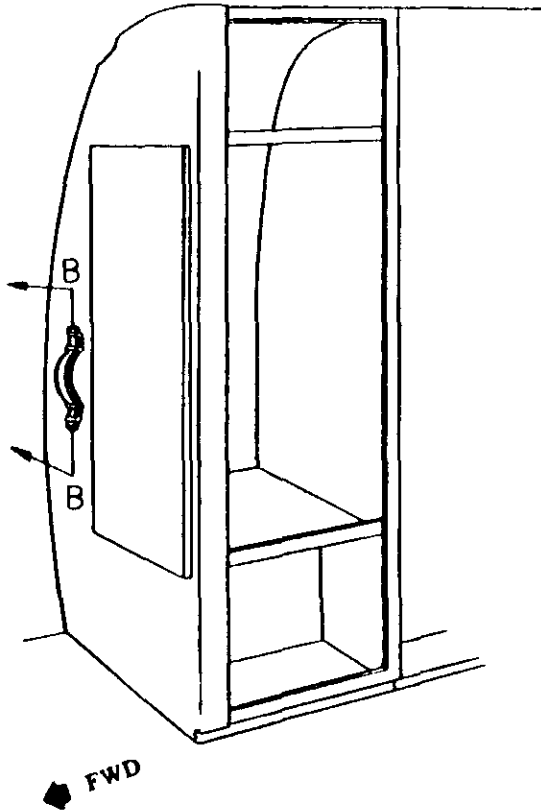
DYNAMIC (Installation) - LBS	HAND (Inspection) - LBS	DATE	SYM	REVISION	AUTH	DR	CR	DEPARTMENTS
▲		7777		ORIGINAL RELEASE	17000			
▲								
▲								
▲								
▲								

'78 TRUCK **BOOK 70**

CLOSET MODULE
ZE06581

NAME MOTOR HOME CABINETS DIVISION **1K9** SHEET **9**

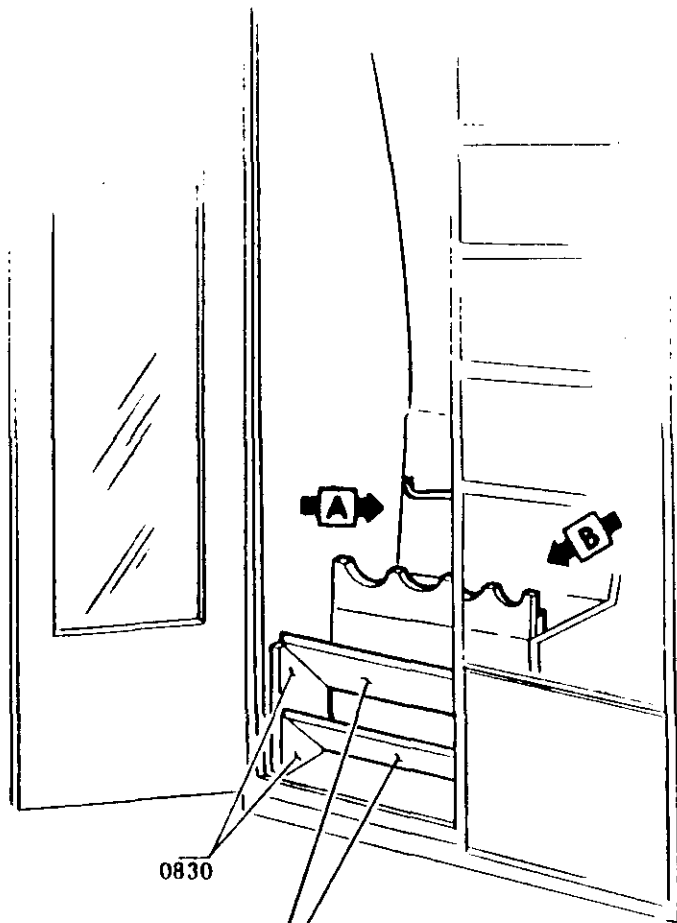
GMT 922 1/75



SECTION - B-B

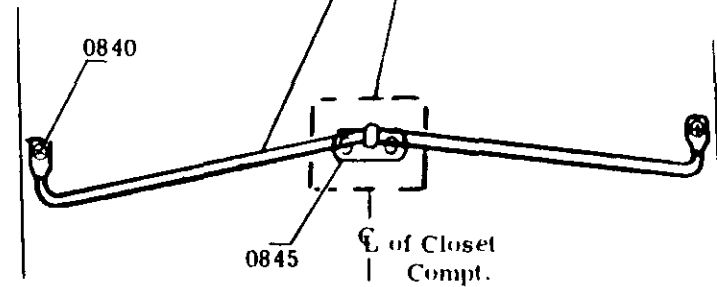
DYNAMIC (Installation) - LBS	RAMD (Inspection) - LBS	DATE	SYM	REVISION	AUTH	DR	CR	DEPARTMENTS	'78 TRUCK	BOOK 70
	△ △ △ △ △	1/77		ORIGINAL RELEASE	H200C	GS	FR		TITLE	
									REFRIGERATOR MODULE INSTL.	
									ZEO658J	
									NAME MOTOR	DIVISION/UPC
									HOME	1K9
									CABINETS	SHEET 10

GMT 922 1/75



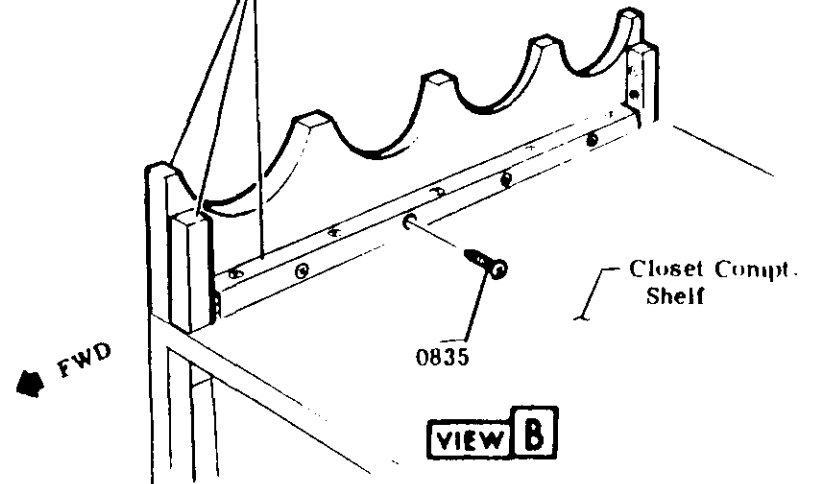
Shoe Shelf Part of Boot Storage Kit 0825

Cord Asm. Part of Boot Storage Kit 0825
 Backer Part of Boot Storage Kit Install Behind Closet Pnl.



VIEW A

Yoke & Cleats Part of Boot Storage Kit 0825



VIEW B

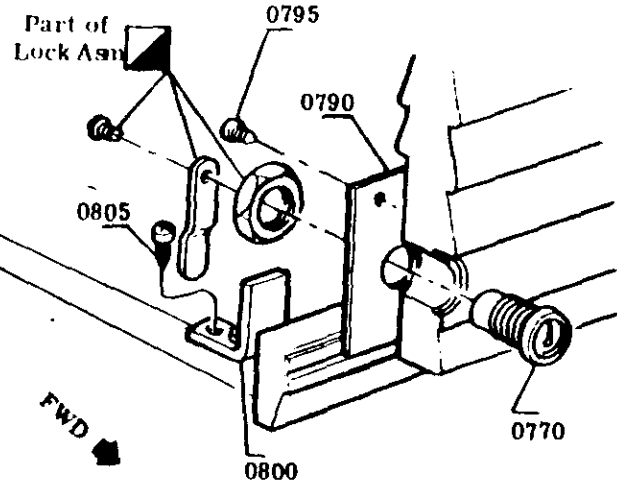
SYMM (Installation)-LBS	HAWD (Inspection)-LBS	DATE	SYM	REVISION	AUTH	DR	EX	DEPARTMENTS
		7.7.77		FIG. VAL 02.17754	97000	63	77	

'78 TRUCK		BOOK 70
TITLE		
SKI BOOT & SHOE STORAGE COMPARTMENT KIT W FNE		
NAME MOTOR HOME CABINETS	DIVISION/LPC	SHEET
	1K9	11



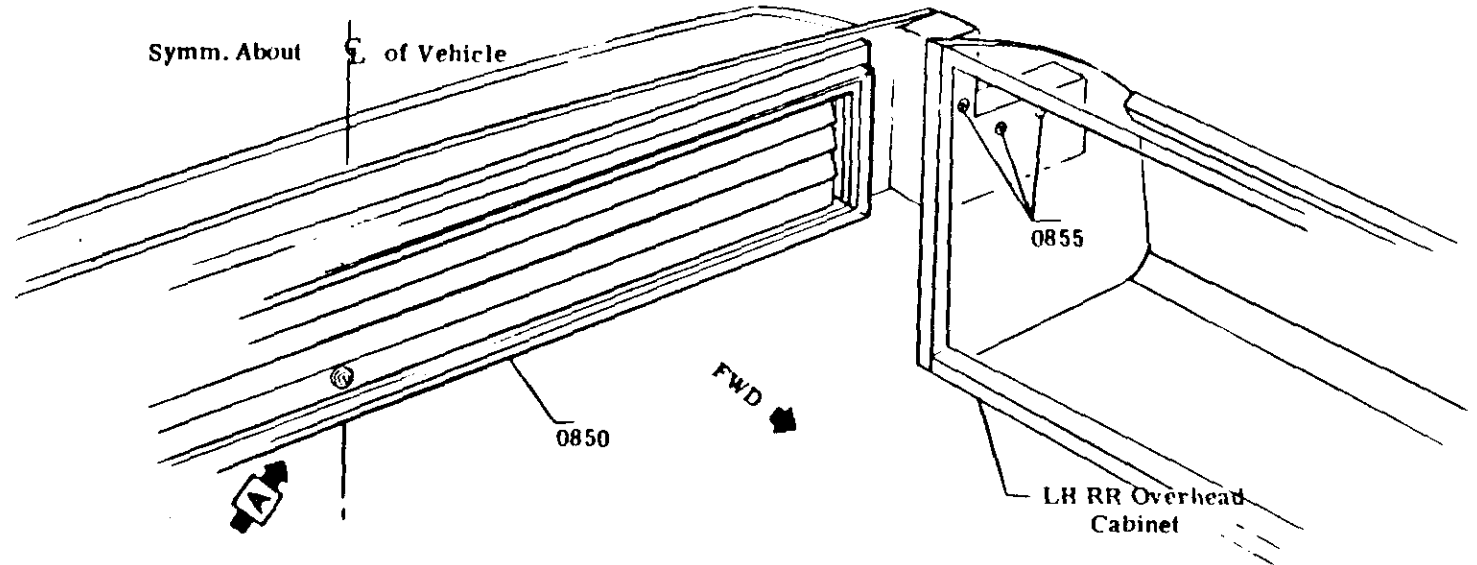
□ ITEM REFERENCE ◇ PROCESS MATERIAL △ TORQUE ▣ PART OF OR EXISTING

GMT 922 1/75



VIEW A

Symm. About  of Vehicle

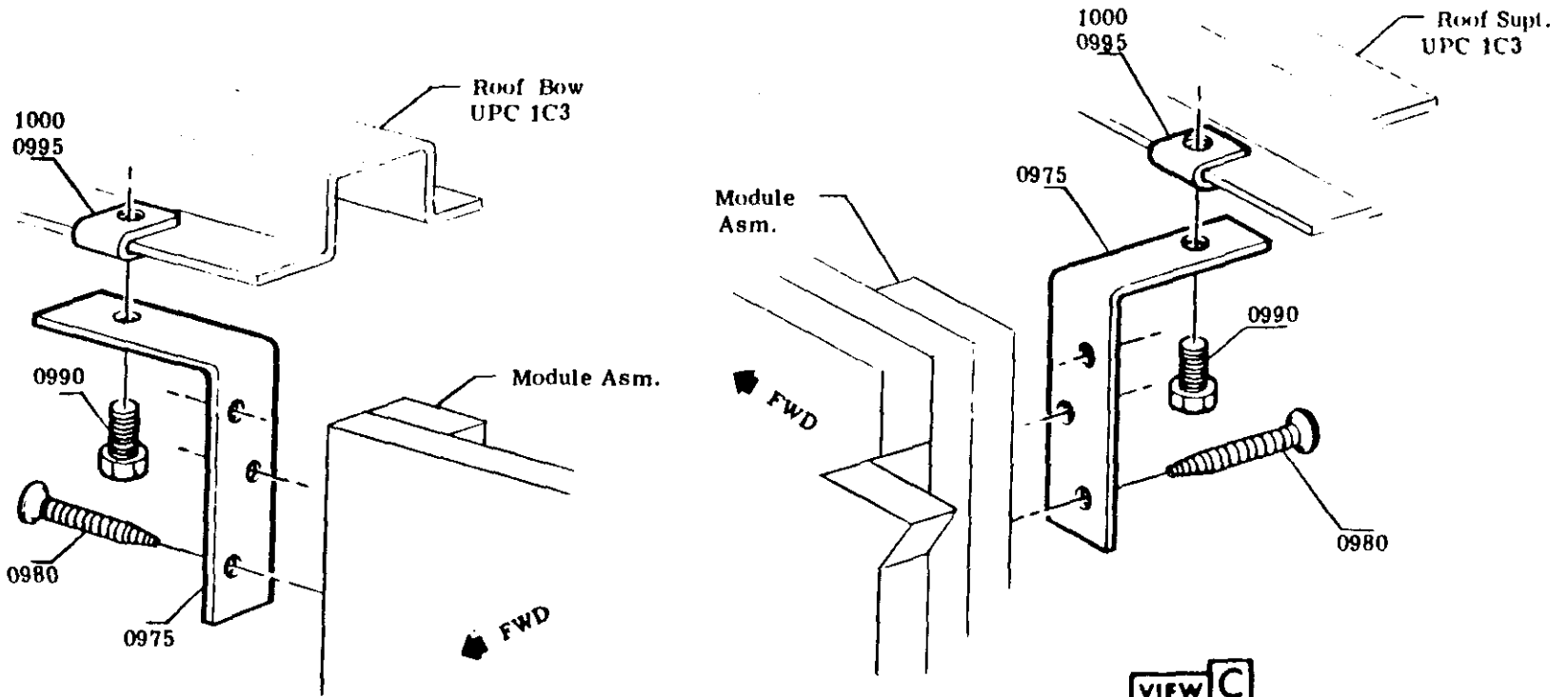


NOTE Fishing Rod Case
0860 Not Illustrated

SYMBOL	DESCRIPTION	DATE	SYM	REVISION	AUTH	DR	CR	DEPARTMENTS
△		7.7.77		ORIGINAL RELEASE	4762	65	82	
△								
△								
△								
△								

78 TRUCK		BOOK 70	
TITLE			
REAR OVERHEAD FISHING ROD CABINET W ENN			
NAME	MOTOR	DIVISION/UPC	SHEET
	HOME CABINETS	1K9	12

GMT 922 1/75



VIEW D
From Sht. #14

VIEW C
From Sht. #14

DYNAMIC (Installation) - LBS	HARD (Inspection) - LBS	DATE	SYN	REVISION	AUTH	DR	CR	DEPARTMENTS	TITLE
△		7-7-77		ORIGINAL RELEASE	47000	45	AK	TRUCK	78 TRUCK
△									BOOK 70
△									BATH MODULE MOUNTING (UPPER)
△									NAME MOTOR HOME CABINETS
△									DIVISION/UPC 1K9
									SHEET 15



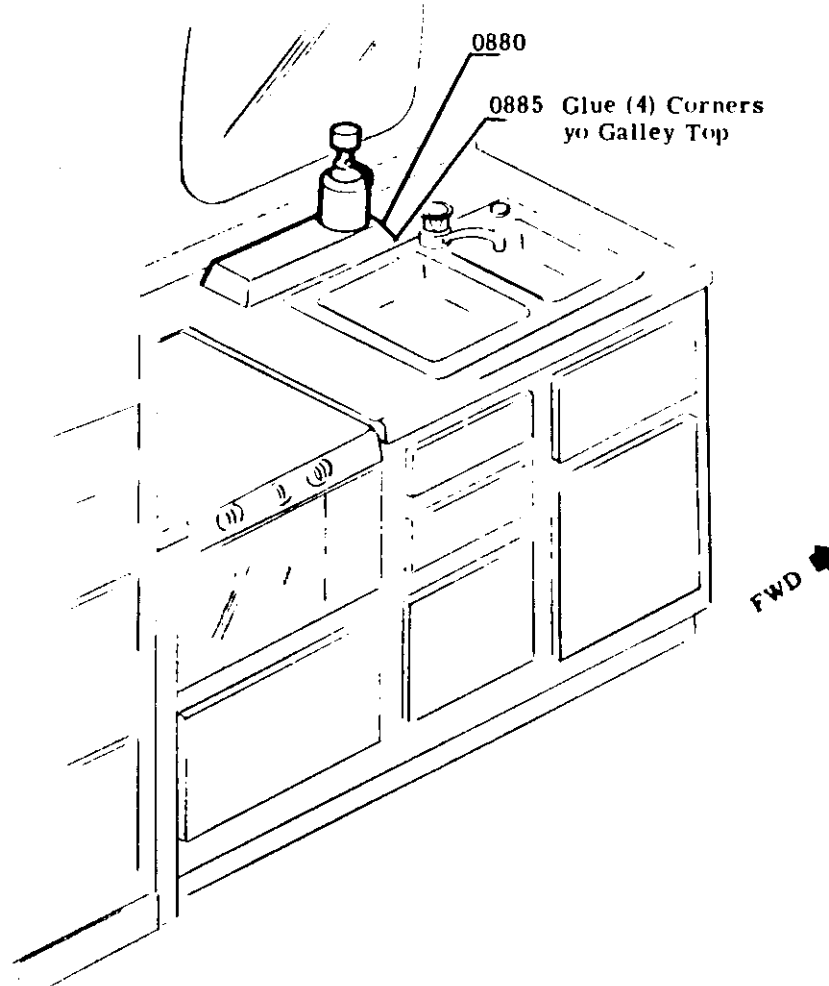
□ ITEM REFERENCE

◇ PROCESS MATERIAL

△ TORQUE

▣ PART OF OR EXISTING

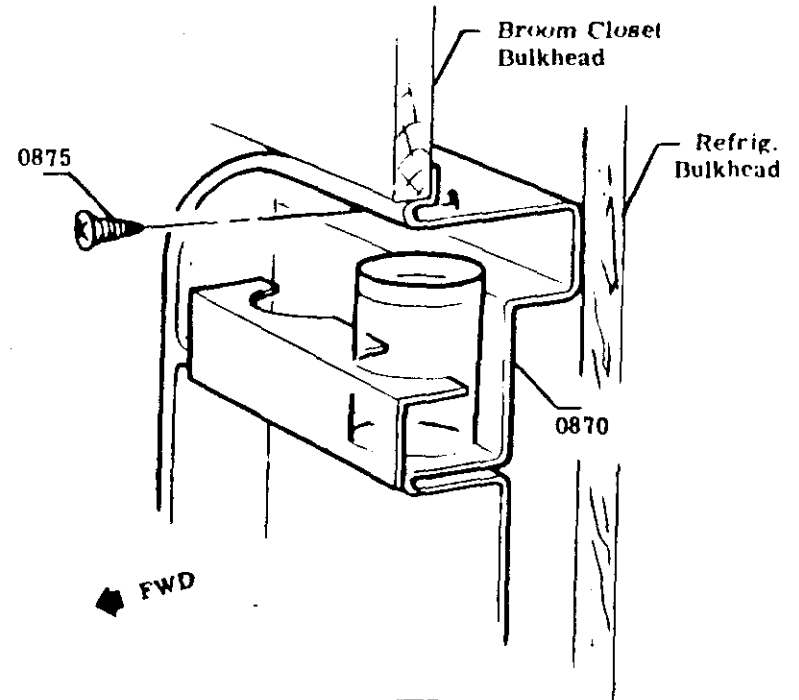
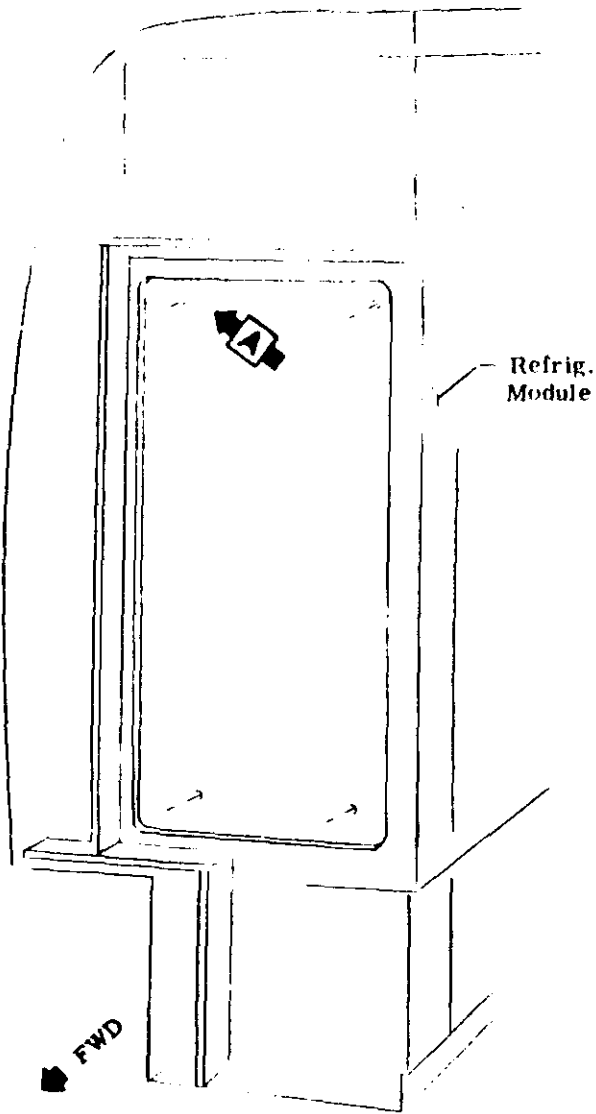
GMT 922 1/75



DYNAMIC (Installation) - LBS	MAWD (Inspection) - LBS	DATE	SYM	REVISION	AUTH	DN	CR	DEPARTMENTS	TITLE
		7.7.77		ORIGINAL RELEASE	57200	45	77		'78 TRUCK
									BOOK 70
									BEVERAGE DISPENSER
									W 697.698.641
									NAME MOTOR HOME CABINETS
									DIVISION/UPC
									1K9
									SHEET
									19



GMT 922 1/75



VIEW A
TYPICAL

DYNAMIC (Installation) - LBS	HAND (Inspection) - LBS	DATE	SYM	DIVISION	AUTH	DR	CE	DEPARTMENTS	78 TRUCK	BOOK 70
		1/77		ORIGINAL RELEASE	4706	4	AK		TITLE	
									GLASS & SPICE RACK ASSEMBLY	
									W ENT	
									NAME MOTOR	DIVISION/UPC
									HOME	1K9
									CABINETS	SHEET
										20

- ▲
- ▲
- ▲
- ▲



PRODUCT DESCRIPTION MANUAL

ASSEMBLY INFORMATION

GMT 1061 REV. 5/75

ITEM	QTY	PART OR TOOL DESCRIPTION	ADD'L DATA	QTY	PART NUMBER	ENGINE CODES	SERIES	BODY	ITEM RESTRICTION	DEPARTMENTS		CHANGE		LOGIC CODE	FUNCTION CODE	ADDITIONAL CODES	FNA	LINE NOS
										#1	2/STA	CD	AUTH					
AA01014		RR VENT INSTL		*	L9552					0784								1.8
AA02014		VALLEY MODULE & STUDY INSTL		*	L6648					0784								1.10
AA03014		CLOSET MODULE		*	L7524					0784								1.11
AA04014		RF PNL & FRM ASM		*	MD12785					0784								1.16
AA05014		AUX DRILL								0784								1.17
AA06014		OVERHEAD CABINET		*	MD14088			685		0784								1.19
AA07014		AUX DRILL								0784								1.20
AA08014		GMC WOOD BURNING		*	MD12788					0784								1.22
AA09014		HAS DRAFT & INST								0784								1.23
AA08014		REFRIG/BATH & CLOSET INSTL		*	L6962					0784								1.25
AA09014		FRONT OVERHEAD CABINET INSTL		*	L7539			685		0784								1.26
AA10014		VALLEY OVERHEAD CABINET INSTL		*	L7541					0784								1.31
AA11014		RR OVERHEAD CABINET INSTL		*	L7540					0784								1.34
AA12014		LEADING LOCKER INSTR		*	L6965					0784								1.37
AA13014		OVERHEAD CABINET INSTR		*	L6904					0784								1.40
AA14014		FRONT CLSR INSTR		*	L6906					0784								1.43
AA15014		BATH MODULE INST		*	L7603					0784								1.45
AA16014		RR INSTR TR INSTL		*	L6858					0784								1.47
AA17014		OVHD CABT LOCK INSTL		*	L9644					0784								1.49
AA20014		SKI BOOT & SHOE COMPT INSTL		*	L9215					0784								1.52
AA21014		RR OVHD FISHING ROD INSTL		*	L9403			ENN		0784								1.55

1		ZE06581	MODEL YEAR 1978
2			ORIGIN DATE 770726
3			LAST CHG. DATE
4			LAST CHG. CODE
5		MODEL APPLICATION	
6		MOTOR HOME BINETS	
7	REFERENCE	UPC DESCRIPTION	70 1K9 1 BK U. P. C. GMP PAGE

PRODUCT DESCRIPTION MANUAL

ASSEMBLY INFORMATION

GMT 1061 REV. 5/78

SHEPHERD & COACH

ITEM	QTY	PART OR TOOL DESCRIPTION	ADD'L DATA	QTY	PART NUMBER	ENGINE CODES	SERIES	REV	ITEM RESTRICTION	DEPARTMENT #1	DEPTA	CHANGE CD	AUTH	LOGIC CODE	FUNCTION CODE	ADDITIONAL CODES	LINE NOS
AA20014	1	GLS & SPICE		*	L9017				ENT	0784							1.58
AA20024	1	WALK INSTL								0784							1.59
AA20014	1	BATH CR DRIP		*	L6448				697	0784							2.2
AA20024	1	MUDG INSTL								0784							2.3
AA20014	1	BATH CR SEAL		*	L6644				697	0784							2.5
AA20024	1	INSTL								0784							2.6
AA20014	1	BLANKET LUCKER		*	L6651				697	0784							2.8
AA20024	1	MUD INSTL								0784							2.9
AA20014	1	BEV DISPR		*	L9302				697	0784							2.11
AA20024	1	CUMPT INSTL								0784							2.12
AA20014	1	MICROWAVE OVEN		*	L4572				UND	0784							2.14
AA20024	1	INSTL								0784							2.15
AA20014	1	ENT DR ACISIS		*	L8930					0784							2.17
AA20024	1	STRAP INSTL								0784							2.18
AA20014	1	RR AIR SUSP		*	L9362					0784							2.20
AA20024	1	CUMT INSTL								0784							2.21
AA20014	1	BATH VAN RR DR		*	L7548				VNW	0784							2.23
AA20024	1	STOP INSTL								0784							2.24
AA20014	1	READING CAMP &		*	L6894					0784							2.26
AA20024	1	COVER INSTL								0784							2.27
AA20014	1	REFRIG MUD		*	L8168					0784							2.29
AA20024	1	INSTL								0784							2.30
AA20014	1	BATH MUD ASM		*	L9737					0784							2.34
AA20014	1	FIRE EXT INSTL		*	L8767					0784		60893					2.34
0040AA	2	GASKET LWR VENT			2029465					0784	70			0000705285		M	2.36
0050AA	1	GASKET UPR VENT			2029464					0784	70			0000705290		M	2.38
0060AA	4	SCREW			273411					0784	70						2.40
0070AA	14	NUT			2248137					0784	70						2.44
0080AA	7	BOLT			110052					0786	78						2.44
0090AA	7	BOLT			110048					0786	78						2.46

		7E065M1	MODEL YEAR 1978
			ORIGIN DATE 770726
			LAST CHG DATE 770927
			LAST CHG CODE 60893
		MODEL APPLICATION	70 1K9 A 2
		MOTOR HOME CABINETS	BK U P C IF PAGE
		UPC DESCRIPT	

F.M.V.S.

REFERENCE

1970-71 MOTOR HOME MANUAL

ASSEMBLY INFORMATION

ITEM	PART OR TOOL DESCRIPTION	ADD'L DATA	QTY	PART NUMBER	ENGINE CODES	SERIES	BUY BRK	ITEM RESTRICTION	EQUIV. PARTS		CHARGE AUTH.	LOGIC CODE	FUNCTION CODE	ADDITIONAL CODES	REF. NO.
									#1	#2					
0100AA	WASHER		14	120392					0786	78					2.4
0110AA	LOCK TITE		4	9985115					0786	78					2.50
0120AA	LOVER		4	791842					0786	78		0000765135			2.5
0130AA	SCREW		12	9414711					0786	78					2.5
0150AA	SCREW		3	161933					0784	67					2.5
0160AA	BOLT		2	9418922					0784	67					2.5
0170AA	SPACER		2	2393434					0784	67		0000675125			3.1
0180AA	SHIELD		1	2000270					0786	78		0000765140		M00752	3.3
0190AA	SCREW		4	9417276					0786	78					3.5
0200AA	NUT		2	7279500					0784	67					3.7
0210AA	LOCK TITE		4	9985115					0784	67					3.9
0220AA	BRKT MOD/MOD		1	791819					0784	67		0000675130		M00764	3.1
0230AA	SCREW BRKT		2	9414724					0784	67					3.1
0240AA	SCREW BRKT		2	9423753					0784	70					3.1
0250AA	BLOCK MOD/MOD		1	2015785					0784	67		0000675135		M00766	3.1
0260AA	SCREW		2	2016051					0784	67					3.1
0270AA	SCREW		2	9414727					0784	67					3.2
0280AA	SCREW		4	9414711					0784	67					3.2
0290AA	BRACKET		1	792187					0784	67		0000675140		M00331	3.2
0300AA	SCREW		3	9423753					0784	67					3.2
0310AA	NUT		1	9419032					0784	67					3.2
0320AA	BOLT		1	9437566					0784	67	61390				3.3
0330AA	WASHER		3	9418304					0784	67					3.3
0340AA	WASHER		2	103320					0784	67					3.3
0350AA	ADHESIVE		4	RH37113					0784	67					3.3

ZE06581

MODEL APPLICATION
MOTOR HOME CABINETS

MODEL YEAR 11 78
ORIGIN DATE 770726
LAST CHG DATE 771012
LAST CHG CODE 61390

70 1K9 A 3

BK U P C C PAGE

PRODUCT DESCRIPTION MANUAL

ASSEMBLY INFORMATION

GMT 1961 REV. 5/75

EMERSON MOTOR

ITEM #	PART OR TOOL DESCRIPTION	ADD'L DATA	QTY	PART NUMBER	ENGINE CODES	SERIES	BOY MARK	ITEM DESCRIPTION	QUANTITY #1	QUANTITY #2	ENGINE CODE	FUNCTION CODE	ADDITIONAL CODES	QTY	UNIT
0307AA	SCREW		1	9419915					0784	67				1	3.1
0308AA	SCREW		1	9423753					0784	67				1	3.4
0309AA	BRACKET		2	2000001					0784	67		0000675145	M00375	2	3.4
0310AA	BOLT		4	9419004					0784	67				4	3.4
0311AA	NUT		4	1494252					0784	67				4	3.4
0312AA	NUT		4	455559					0784	67				4	3.4
0313AA	SCREW		4	131577					0784	67				4	3.5
0400AA	LOCK TITE		*	9985115					0784	67					3.5
0410AA	BOLT		2	9437568					0784	67	61390			2	3.5
0420AA	WASHER		2	9418304					0784	67				2	3.5
0440AA	NUT		2	1494253					0784	67				2	3.5
0450AA	LOCK TITE		*	9985715					0784	67					3.5
0460AA	SCREW		4	9423753					0784	67				4	3.5
0470AA	COVER LP RR		2	790962					0786	80		0000805160	M00360	2	3.6
0475AA	SCR LP CVR		2	9414711					0786	80				2	3.6
0480AA	ADHESIVE		*	RH37113					0786	78					3.10
0490AA	COVER		1	793336					0786	78		0000785145	M00330	1	3.1
0500AA	SCREW		3	9415940					0786	78				3	3.1
0510AA	ADHESIVE		*	RH37113					0786	78					3.16
0520AA	PAD ASM		1	790353					0786	79		0000795020	M00300	1	3.16
0550AA	SCREW		5	155941					0786	79				5	4.20
0560AA	MIRROR ASM		1	791662					0784	67		0000675150	M03900	1	4.22
0570AA	MODULE GALLEY		1	2026574			697-UND		0784	67		0390675155	M	00050	4.24
0570AB	MODULE GALLEY		1	2027917			685		0784	67		6037675155	M	00050	4.25
0570AC	MODULE GALLEY		1	2028125			641-UND		0784	67		0389675155	M	00050	4.26
0570AD	MODULE GALLEY		1	2029506			UNDE698/697		0784	67		600176897675155	M	00050	4.27
0570AE	MODULE GALLEY		1	2029507			UNDE641		0784	67		600176900675155	M	00050	4.28
0570AF	MODULE GALLEY		1	2026579			698-UND		0784	67		0392675155	M	00050	4.29

1
2
3
4
5

ZE06581

MODEL APPLICATION
MOTOR HOME TINET5
UPC DESCRIPTION

MODEL YEAR 1978
ORIGIN DATE 770726
LAST CHG DATE 771012
LAST CHG CORR 61390
70 1K9 4
BK U P C C PAGE

EMMS

REFERENCE

PRODUCT DESCRIPTION MANUAL

ASSEMBLY INFORMATION

ITEM	PART OR TOOL DESCRIPTION	ADD'L DATA	QTY	PART NUMBER	ENGINE CODES	SERIES	BOY BRN	ITEM RESTRICTION	DEPARTMENTS		CHANGE		LOC. CODE	FUNCTION CODE	ADDITIONAL CODES	FNA
									#1	#2/STA	CD	AUTH				
0580AA	MODULE CLOSET		1	2032162				641/697/698/685	0784	67	03724604		05162		00590	4
0585AA	SCREW FAL TO CLOS		3	9414737				UND	0784	67						4
0590AA	MODULE REFRIG		1	2029344				641/697/698/685	0784	67						4
0600AA	CABINET ASM RH		1	2016730				-ENA/685	0786	78	038071391	785150			00800	4.3
0600AB	CABINET ASM RH		1	2000338				685	0786	78		603785150			00800	4.3
0610AA	CABINET ASM LH		1	2016730					0786	78		038070000	785152			4.4
0620AA	CABINET RH RR		1	2016729				697	0786	78		3461785155			01630	4.4
0620AB	CABINET RH RR		1	2016729				641/698	0786	78	038073616	785155			01630	4.4
0630AA	CABINET LH RR		1	2016728				697	0786	78		3461785160			01640	4.4
0630AB	CABINET LH RR		1	2016728				641/698	0786	78	038073616	785160			01640	4.4
0640AA	CABINET GALLEY		1	2016727				697	0786	78		3461785165			01700	4.4
0640AB	CABINET GALLEY		1	2016727				641/698	0786	78	038073616	785165			01700	4.4
0645AA	EXTINGUISHER FIR		1	791178					0758	100		0000105025				4.5
0650AA	SCREW FIRE EXT		2	9414711					0758	100						4.5
0660AA	BOLT		4	180048					0786	79						4.5
0670AA	BOLT		4	180052					0786	78						4.5
0680AA	WASHER		8	120392					0786	79						4.5
0690AA	NUT		8	2248137					0786	79						5.2
0700AA	LOLA		*	9985115					0786	79						5.4
0710AA	SCREW		4	9417307					0786	78						5.6
0720AA	WASHER		4	120392					0786	78						5.6
0730AA	NUT		4	9422273					0786	78						5.10
0740AA	PANEL REFRIG		1	2009882				641	0784	67		3477675165				5.12
0740AB	PANEL REFRIG		1	790093				697/698	0784	67		3520675165				5.12
0740AC	PANEL REFRIG		1	2027938				685	0784	67		6037675165				5.12
0750AA	PANEL REFRIG		1	2009883				641	0784	67		3477675170				5.16
0750AB	PANEL REFRIG		1	790094				697/698	0784	67		3520675170				5.16
0750AC	PANEL REFRIG		1	2027939				685	0784	67		6037675170				5.16

F.M.V.	REFERENCE	ZE06581	MODEL YEAR 1978
		MODEL APPLICATION	ORIGIN DATE 770726
		MOTOR H CABINETS	LAST CHG DATE 770811
		UPC DISCR	LAST CHG CODE 3726
			76 1' A 5 BK. U. P. QTY PAGE

PRODUCT DESCRIPTION MANUAL

ASSEMBLY INFORMATION

PART OR TOOL DESCRIPTION	ADD'L DATA	QTY	PART NUMBER	TO D	ENGINE CODES	P. PHS	BODY	ITEM RESTRICTION	DEPARTMENTS		CHARGE AUTH	CORR CODE	FUNCTION CODE	APPROX. PRICE	UNIT		
									41	2-STA							
0770AA LOCK SET SEC		1	2030075					LNA-LNN/U97	0782	38	CORR	0401380190		W	30050	5.2	
0770AB LOCK SET SEC		1	2028776					ENNAENN-U97	0782	38	CORR	0402380190		W	30050	5.2	
0770AC LOCK SET SEC		1	2030076					ENN-LNA/U97	0782	38	CORR	0403380190		W	30050	5.2	
0770AD LOCK SET SEC		1	2030077					U97ENN-LNA	0782	38	CORR	0404380190		W	30050	5.2	
0770AE LOCK SET SEC		1	2030078					U97ENNA-ENN	0782	38	CORR	0405380190		W	30050	5.2	
0770AF LOCK SET SEC		1	2030116					U97ENNAENN	0782	38	CORR	0406380190		W	30050	5.2	
0770AA PLATE LK		1	2030224					ENNA/ENN	0786	79		0410795030		W	30075	5.2	
0770AA SCREW LK PLT		2	9411529					ENNA/ENN	0786	79						30075	5.20
0800AA CATCH LK STR		1	2030223					ENNA/ENN	0786	79		0410795035		W	30075	5.2	
0800AA SCREW LK CATCH		2	9437760					ENNA/ENN	0786	79	61390					30175	5.2
0810AA CABINET GUN		1	2033435					ENNA	0786	79	03807041795040		W			30250	5.2
0810AA BOLT GUN CABT MTG		4	180046					ENNA	0786	79						30275	5.3
0820AA BOLT GUN CABT MT		4	180052					ENNA	0786	79						30275	5.3
0850AA CAB FISH EQUIPT		1	2033437					ENN	0786	79	038070422795045		W			30000	5.2
0850AA SCR FISH CABT		6	149031					ENN	0786	79						30000	5.2
0870AA ELSESPICE RACK		1	2028110					ENT	0784	67		0424675180		W		29000	5.4
0870AA SCR RACK MTG		4	9419791					ENT	0784	67						29025	5.4
0880AA LEV DISPK CMP		1	2027812					697/698/641	0784	71		3472715110		W		00060	5.50
0880AA ADH BEV DISPR		1	8860955					697/698/641	0784	71						00070	5.5
0890AA MODULE ASM BATH		1	2030660					641/685/697/698	0784	67		6040675185		W		11000	5.54
0890AA HOODING BATH		1	791242					641/685/697/698	0784	67		6040675190		W		11000	5.54

1
2
3
4
5
6
7
8
9
10
11
12

REFERENCE

ZE06581

MODEL APPLICATION
MOTOR HOME CABINETS
UPC DESCRIPTION

MODEL YEAR 78
 DESIGN DATE 770126
 LAST CHG DATE 771012
 LAST CHG CODE 61390
 70 1K9 / 6
 BK U P C G PAGE



PRODUCT DESCRIPTION MANUAL
ASSEMBLY INFORMATION

ITEM	S E Q	P L S	PART OR TOOL DESCRIPTION	ADD'L DATA	Q T Y	PART NUMBER	Q D	ENGINE CODES	SERIES	REV BRK	ITEM RESTRICTION	DEPARTMENTS		CHANGE		LOGIC CODE	FUNCTION CODE	ADDITIONAL CODES	LINE NOS
												#1	2/STA	CD	AUTH				
0900AA			SCREW BATH MLOG		5	9425799					641/685/697/698	0784	67						6.9
0901AA			SLIDE		4	791194						0784	67			0000675195		M	6.10
0902AA			SHOWER CURTAIN		2	791756				697		0758	100	REPRC		3461105080		M	6.11
0903AA			SHOWER CURTAIN		2	2000327				698		0758	100	REPRC		3464105080		M	6.12
0904AA			SHOWER CURTAIN		2	2027434				685		0758	100	REPRC		6037105080		M	6.13
0905AA			SHOWER CURTAIN		2	2010793				641		0758	100	REPRC		3477105080		M	6.14
0906AA			DOOR VAN CABT		2	791174				697		0786	79			3461795055		M	6.15
0907AA			DOOR VAN CABT		2	2000328				695		0786	79			3464795055		M	6.16
0908AA			DOOR VAN CABT		2	2027937				685		0786	79			6037795055		M	6.17
0909AA			DOOR VAN CABT		2	2016410				641		0786	79			3477795055		M	6.18
0910AA			LOCKER ASM BED		1	2000330				641/685/697/698		0784	67			6040675270		M	6.19
0911AA			CLOSURE HTR		1	2000329				641/685/697/698		0784	67			6040675275		M	6.20
0912AA			SLIDE SHOWER CURT		20	715448						0784	67			0000675210		M	6.21
0913AA			DOOR VAN CABT FR		1	791173						0784	67			0000675215		M	6.22
0914AA			COVER BATH VAN		1	791844						0786	79			0000795060		M	6.23
0915AA			RIVET MED VAN		6	791191						0784	67						6.24
0916AA			SCREW		6	9414713						0784	67						6.25
0917AA			RIVET		2	9436698						0784	67						6.26
0918AA			TISSUE HOLDER ASM		1	790341						0786	79			0000795065		M	6.27
0919AA			SCREW		4	161802						0786	79						6.28
0920AA			ERRT MOD TO SUPT		2	2000552						0784	67			0000675230		M	6.29
0921AA			SCREW BRKT		6	161933						0784	67						6.30
0922AA			MIRROR MED CABT		2	790990						0786	79			0000795070		M	6.31
0923AA			SCREW-MOD TO FR		2	9418918						0784	67						6.32
0924AA			WJT		2	1494253						0784	67						6.33
1000AA			LOCK TITL		4	9965118						0784	67						6.34
1000AA			ERRT CASE SUPT		1	2436650						0784	67			0000675240		M	6.35

F M V 8 8	REFERENCE	2E06581	MODEL YEAR 1978
			ORIGIN DATE 770726
			LAST CHG DATE 770927
		MODEL APPLICATION	LAST CHG CODE 60693
		MOTOR HUB CABINETS	70 1K9 A 7
		UPC DESCRIP	BN V P C QRP PAGE

PRODUCT DESCRIPTION MANUAL

ASSEMBLY INFORMATION

QMT 1081 REV. 5/78

GM TRUCK & COACH

ITEM	QTY	PART OR TOOL DESCRIPTION	ADD'L DATA	QTY	PART NUMBER	ENGINE CODES	SERIES	BODY	ITEM RESTRICTION	DEPARTMENTS		CHANGE CD	AUTH	LOGIC CODE	FUNCTION CODE	ADDITIONAL CODES	FNA	LINE NOS
										#1	2/STA							
1010AA		SCR BASE SUPT BRK		3	161933					0784	67							6.57
1011AA		SCR BASE TO FLK		8	150674					0784	67							6.59
1012AA		SEAL ADILES		*	RH37113					0784	67							7.2
1013AA		STOP CLOSET DR		1	791684					0784	67			0000675245			M	7.4
1014AA		STRAP ENT DR		1	9606320					0784	67			0000675250			M	7.6
1015AA		BOLT ENT DR STR		2	9419006					0784	67							7.8
1016AA		WA ENT DR BOLT		2	3774252					0784	67							7.10
1017AA		WA LK ENT DR		2	103319					0784	67							7.12
1018AA		NUT ENT DR		2	9419912					0784	67							7.14
1019AA		LEADNER AIR COMP		1	2027281					0784	67			0000675255			M	7.16
1020AA		SCR EED LKR BHD		1	9414739					0784	67							7.18
1021AA		SCR EED LKR		4	9425804					0784	67							7.20
1022AA		FRKT HTR CLSK		2	792171					0784	67			0000675280			M	7.22
1023AA		SCR HTR BKKT		4	9414722					0784	67							7.24
1024AA		SCR CLSK TO BKKT		2	798301					0784	67							7.26
1025AA		SCR CLSK BKKT		3	9426442					0784	67							7.28
1026AA		NUT CLSK BKKT		5	9433078					0784	67							7.30
1100AA		DRKT		1	2000762					0784	67			0000675285			M	7.32
1101AA		RIVET BKKT		3	700364					0784	67							7.34
1110AA		SLIDE MEDEVAN		1	2000252			VNW808		0786	79			1135795075			M	7.36

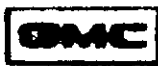
ZED6581

MODEL APPLICATION
MOTOR HOOD CABINETS
UPC DESCRIPTION

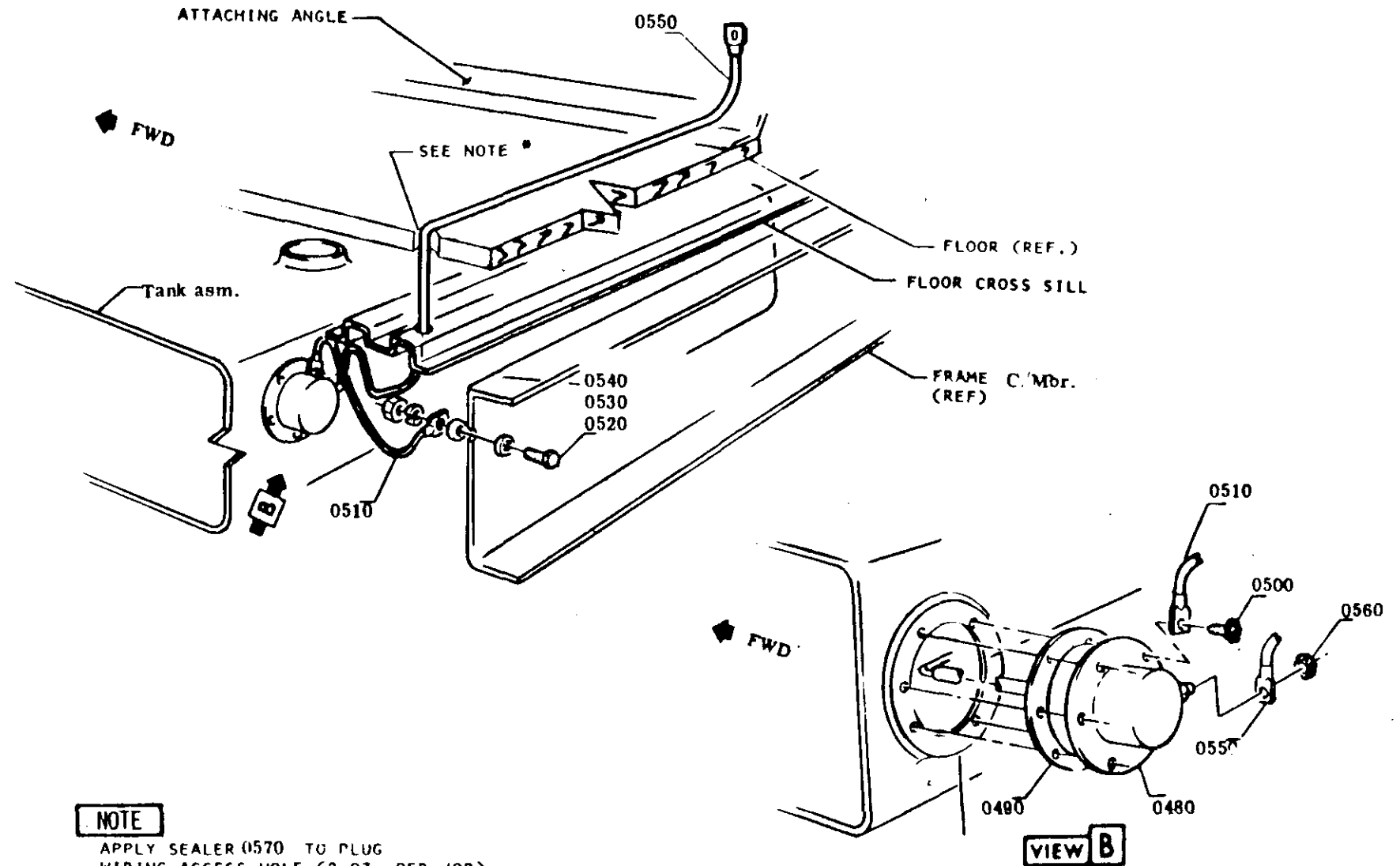
MODEL YEAR 1978
ORIGIN DATE 770726
LAST CHG. DATE 770927
LAST CHG. CODE 0893
70 1K A 8
BR U P C J M PAGE

F.M.V.S.S.

REFERENCE



GMT 922 1-73



NOTE

APPLY SEALER (0570) TO PLUG WIRING ACCESS HOLE (2 OZ. PER JOB)

BY NAME (Installation) - LBS	MAINT (Inspection) - LBS	DATE	SYM	REVISION	AMT	DR	CR	DEPARTMENTS	TITLE
				ORIGINAL RELEASE	47000	Jan		THOMPSON	'78 TRUCK BOOK 70
									HOLDING TANK-SENDING UNIT
									Z E06581
									NAME: HOLDING TANK
									NUMBER: 1K9A
									SHEET: 1



PRODUCT DESCRIPTION MANUAL

ASSEMBLY INFORMATION

GMT 1061 REV. 5/78

GMC TRUCK & COACH

ITEM #	PART OR TOOL DESCRIPTION	ADD'L DATA	QTY	PART NUMBER	U/D	ENGINE CODES	SERIES	RDY BRK	ITEM RESTRICTION	DEPARTMENTS		CHANGE		LOGIC CODE	FUNCTION CODE	ADDITIONAL CODES	LINE NOS
										#1	2/STA	CD	AUTH				
AA1014	HOLDING TANK		*	19364						0754							1.8
AA1024	INSTR									0754							1.9
AA2014	HOLDING TANK		*	19364						0752							1.11
AA2024	INSTR									0752							1.12
CC304A	HOLDING TANK ASM		1	2020382					-ANZ	0754	90			1383900005		M	1.19
CC104B	HOLDING TANK ASM		1	791646					ANZ	0754	90			1385400005		M	1.20
CC504A	ADAPTER ASM		1	797240						0754	90			0000900010		M	1.22
CC404A	NIPPLE BATH INL		1	790052						0754	90			0000900015		M	1.24
CC454A	LINKING BRN		1	3876138						0754	90			0000900020		M	1.26
CC504A	TAPE TEFLON		*	9985189						0754	90						1.28
CC604A	LUB LINKING		*	9985007						0754	90						1.30
CC704A	HRK HD TR MTG		2	646092						0754	88			0000880020		M	1.32
CC804A	COLT & WA ASM		4	2023470						0754	65						1.34
CC104A	WA HD TR MTG		4	9421042						0754	88						1.36
CC114A	WJ HD TR MTG		4	9422277						0754	88						1.38
CC124A	TUBE ASM HD TR		1	714359						0754	90			0000900025		M	1.40
CC134A	GASKET VLV MT		1	604380						0754	90			0000900030		M	1.42
CC144A	SCREW VLV MT		4	9422176						0754	90						1.44
CC154A	HANDLE ASM		1	693762						0754	90			0000900035		M	1.46
CC164A	SCREW		2	9421073						0754	90						1.48
CC174A	PIN VLV HDL		1	103385						0754	90						1.50
CC184A	CLAMP TEE SOFT		1	2439071						0754	90			0000900040		M	1.52
CC194A	TKRT HDL TR		1	741379						0754	88			0000880025		M	1.54
CC204A	SOFT SOFT		2	9417950						0754	88						1.56

	ZE06581	MODEL YEAR 1978 ORIGIN DATE 770726 LAST CHG. DATE 770927 LAST CHG. CODE
MODEL APPLICATION MOTOR HOME HOLDING TANK	UPC DESCRIPTION	70 1K9A A 1 BK. U. P. C. * PAGE

PRODUCT DESCRIPTION MANUAL

ASSEMBLY INFORMATION

GMS 1061 REV. 5/75

PART NUMBER

ITEM NO.	PART OR TOOL DESCRIPTION	ADD'L DATA	QTY	PART NUMBER	ENGINE CODES	SERIES	HDY MARK	ITEM RESTRICTION	DEPARTMENT #1	DEPARTMENT #2	CHANGE CD	CHANGE AUTH	LOGIC CODE	FUNCTION CODE	ADDITIONAL CODES	UNIT COST	
0210AA	WA LK BOLT		2	103320					0754	88						02500	1.50
0220AA	NUT BOLT		2	9417954					0754	88						02500	2.1
0230AA	FRKT TK TUBE		1	791380					0754	88			0000880030			02500	2.3
0240AA	BOLT TK TUBE		2	9417950					0754	88						02500	2.5
0250AA	WA TK TUBE		4	9418304					0754	88						02700	2.7
0260AA	WA LK		2	103320					0754	88						02700	2.9
0270AA	NUT		2	9417954					0754	88						02800	2.1
0280AA	BOLT TK TUBE		2	9437568					0784	65	61390					02800	2.1
0290AA	WA TK TUBE		2	103320					0754	88						03000	2.15
0300AA	NUT TK TUBE		2	453838					0754	88						03100	2.17
0310AA	BOLT TUBE SUPT		1	9419004					0754	88						03200	2.19
0320AA	WA TUBE SUPT		1	120392					0754	88						03400	2.21
0330AA	WA LK TUBE SUPT		1	103319					0754	88						03400	2.23
0340AA	NUT TUBE SUPT		1	9419912					0754	88						03500	2.25
0350AA	HOSE HLD TK		1	699861					0752	80			0000800025			03600	2.27
0360AA	FITTING		1	697654					0752	80			0000800030			03700	2.29
0370AA	CLAMP ASM		1	9139812					0752	80			0000800035			03800	2.31
0380AA	TUBE ASM		1	699714					0752	80			0000800040			03900	2.33
0390AA	STRAP ASM		1	710307					0754	88			0000880032			04000	2.35
0400AA	FRKT TB MTG		2	718101					0752	80			0000800050			04100	2.37
0410AA	BOLT TUBE MTG		2	9418822					0752	80						04200	2.39
0420AA	WA TUBE MTG		2	2436163					0752	80						04300	2.41
0430AA	NUT TUBE MTG		2	9422277					0752	80						04400	2.43
0440AA	CAP STOR TUBE		1	711231					0752	80			0000800055			04500	2.45
0450AA	SCREW BRKT		2	9427682					0752	80						04600	2.47

ZE06581

MODEL APPLICATION
MOTOR HOME HOLDING TANK
UPC DESCRIPTION

MODEL YEAR 1978
ORIGIN DATE 770726
LAST CHG DATE 771012
LAST CHG CODE 61390
70 1K9A 2
HK U P C PAGE

REFERENCE



PRODUCT DESCRIPTION MANUAL

ASSEMBLY INFORMATION

DMT 1081 REV. 8/78

GENIE TRUCK & CRACK

ITEM	SEQ	PART	DESCRIPTION	ADD'L DATA	QTY	PART NUMBER	ENGINE CODES	SERIES	REV	ITEM RESTRICTION	DEPARTMENTS		CHANGE		LOGIC CODE	FUNCTION CODE	ADDITIONAL CODES	FNA	LINE NOB
											#1	2/STA	CD	AUTH					
0460AA			CABLE ASM CAP		1	710300					0752	80			0000	800060			2.49
0470AA			RIVET CAP CABLE		2	2397327					0752	80							2.51
0480AA			UNIT ASM SENDING		1	6429587					0754	90			0000	900045			2.53
0490AA			GASKET		1	1516395					0754	90			0000	500050			2.55
0500AA			SCREW		5	9421073					0754	90							2.57
0510AA			WIRE TK GRD		1	2987004					0754	90			0000	900015			2.59
0520AA			BOLT TK GRD		1	9419004					0754	90							3.2
0530AA			WA MTG BOLT		2	9419892					0754	90							3.4
0540AA			NUT MTG BOLT		1	271178					0754	90							3.6
0550AA			WIRE SEND		1	R913679					0754	90			0000	900010			3.8
0560AA			NUT & WA ASM		1	2711119					0754	90							3.10
0570AA			SEALER		2	9981074					0754	90							3.12

		ZF06581	MODEL YEAR 1978 ORIGIN DATE 770726 LAST CHG. DATE LAST CHG. CODE
F.M.V.S.R.	REFERENCE	MODEL APPLICATION MOTOR HOME HO NG TANK UPC DESCRIPTION	70 1K9A A 1 BK V. P. C. GPP 108

GMT 922 8/74

UPC 2B FRAME

Sht. #: Title:

- 1 Frt. Frame Asm. to RR. Frame.
- 2 Rear Frame Sub-Asm.
- 3 Lower Frame Brace

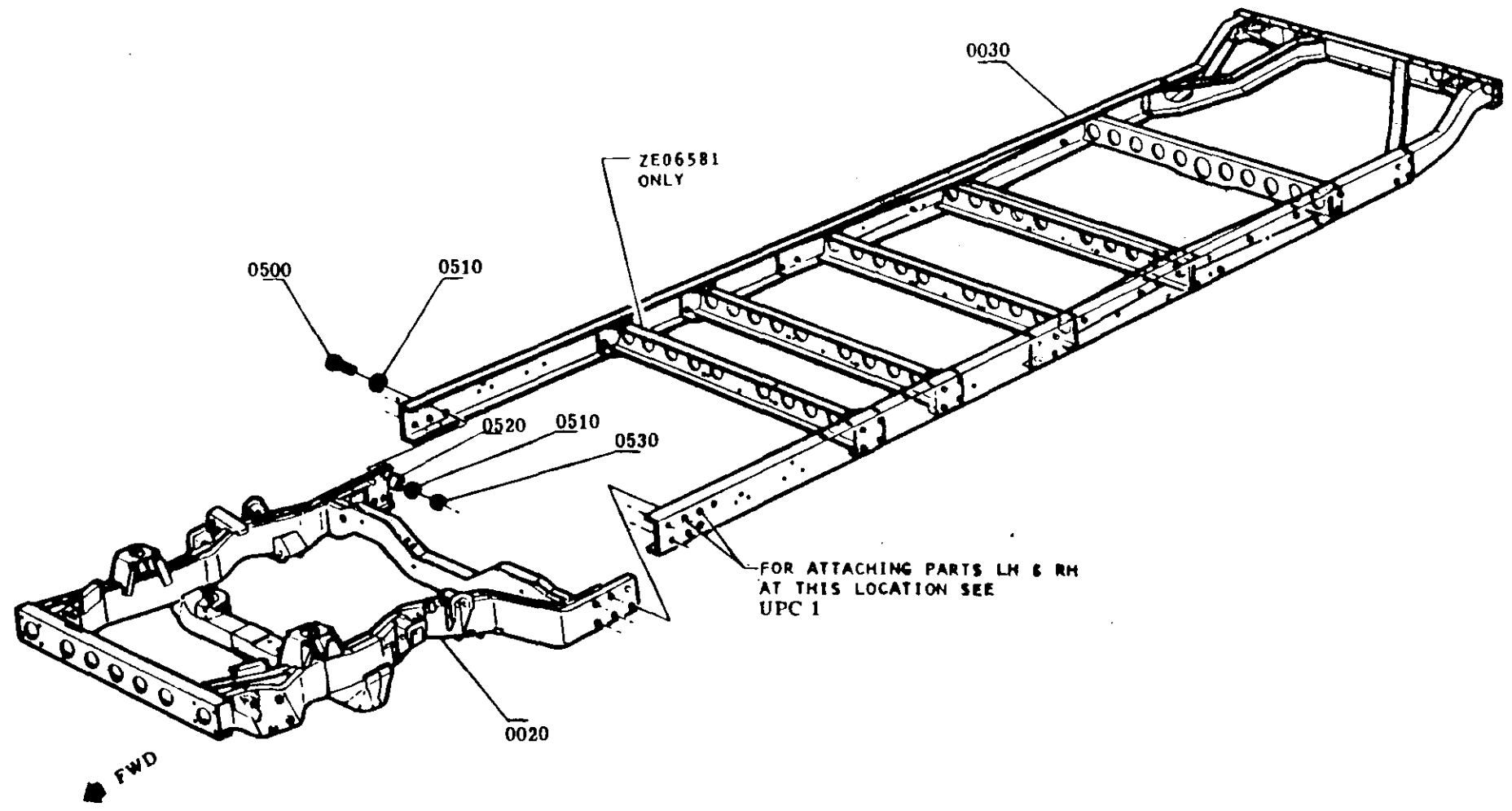
(Audit)
Index - 1
213-3

DYNAMIC (Installation) - LBS	HAND (Inspection) - LBS	DATE	SYM	REVISION	AUTH	DR	EN	DEPARTMENTS
		6-6-77		ORIGINAL RELEASE	47000			

'78 TRUCK		BOOK 70
TITLE		
INDEX		
NAME	DIVISION/UPC	SHEET
FRAME	2	A



GMT 922 1-73



DATE	SYN	REVISION	AUTH	DR	CHK	DEPARTMENTS	TITLE
6-1-77		ORIGINAL RELEASE	47000			Hemphill	'78 TRUCK
							BOOK 70
							FRT. FRAME ASM. TO REAR FRAME
							PART NO: 28 QUANTITY: 1

PRODUCT DESCRIPTION MANUAL

ASSEMBLY INFORMATION

GMT 1081 REV. 8/78

ENGINE TRUCK & CONCRETE

ITEM	SEQ	PVS	PART OR TOOL DESCRIPTION	ADD'L DATA	QTY	PART NUMBER	ENGINE CODES	SERIES	BODY BRK	ITEM RESTRICTION	DEPARTMENTS		CHANGE		LOGIC CODE	FUNCTION CODE	ADDITIONAL CODES	FNA	LINE NOS	
											#1	2/STA	CD	AUTH						
1A0101			FRT SUSP & STRG		*	L2773					0752								1.2	
1A0201			FRM ASM INST		*	L3346					0752								1.10	
0020AA			FRM ASM FRT		1	711967					0752	66			0000	660005		M	1.16	
0030AA			FRM ASM RR		1	692488		60			0752	75			0000	750015		M	1.18	
0030AC			FRM ASM RR		1	692475		65			0752	75			0000	750015		M	1.19	
0031AA			NOTE: THE FOLLOWING ITEMS #0040 THRU #0430 ARE PART OF EAL #0030.									0752	75							1.21
0040ZA			RAIL SI FRM LH		1	691909		60			0752	75							1.23	
0040ZC			RAIL SI FRM LH		1	691908		65			0752	75							1.24	
0050ZA			RAIL SI FRM RH		1	691908		60			0752	75							1.26	
0050ZC			RAIL SI FRM RH		1	691910		65			0752	75							1.27	
0060ZA			C/MBR FRM FRT		1	708640		60			0752	75							1.29	
0060ZC			C/MBR FRM FRT		2	708640		65			0752	75							1.30	
0070ZA			BOLT C/MBR @ RL		8	9425082		60			0752	75							1.32	
0070ZC			BOLT C/MBR @ RL		16	9425082		65			0752	75							1.33	
0080ZA			WA C/MBR BOLT		16	2436165		60			0752	75							1.35	
0080ZC			WA C/MBR BOLT		32	2436165		65			0752	75							1.36	
0090ZA*			NUT 50:60 FT LBS		8	9422301		60			0752	75							1.38	
0090ZG*			NUT 50:60 FT LBS		16	9422301		65			0752	75							1.39	
0200ZA			REINF BNGIE XMBR		1	708639					0752	75							1.41	
0210ZA			BOLT REINF/RAIL		18	9425082					0752	75							1.43	
0220ZA			WA REINF BOLT		36	2436165					0752	75							1.44	
0230ZA*			NUT 50:60 FT LBS		18	9422301					0752	75							1.45	
0250ZA			BOLT @ P/B BRKT		2	9425082					0752	75							1.49	
0260ZA			WA @ P/B BRKT		4	2436165					0752	75							1.51	
0270ZA*			NUT 50:60 FT LBS		2	9422301					0752	75							1.52	
0300ZA			REINF BNGIE XMBR		1	713506					0752	75							1.55	
0310ZA			BOLT REINF/XMBR		6	9427321					0752	75							1.57	

7E06X00

MODEL APPLICATION
FRAME ASM
UPC DESCRIPTION

MODEL YEAR 1978
ORIGIN DATE 770726
LAST CHG. DATE
LAST CHG. CODE
70 28 A 1
BK V. P. C. 997 PAGE

ITEM	S E Q	P V I S	PART OR TOOL DESCRIPTION	ADD'L DATA	Q T Y	PART NUMBER	ENGINE CODES	SERIES	BDY BRK	ITEM RESTRICTION	DEPARTMENTS		CHANGE		LOGIC CODE	FUNCTION CODE	ADDITIONAL CODES	PNA	LINE NOS	
											#1	2/STA	CD	AUTH						
0320ZA			WA REINE BOLT		12	2436163					0752	75								1.59
0330ZA*			NUT 25:30 FT LBS		6	9422297					0752	75								2.2
0400ZA			EXTENSION RR FRM		1	712315					0752	75								2.4
0410ZA			BOLT EXT @ FRM		8	9425082					0752	75								2.6
0420ZA			WA EXT BOLT		16	2436165					0752	75								2.8
0430ZA*			NUT 50:60 FT LBS		8	9422301					0752	75								2.10
0500AA			BOLT FRT FRM/FRM		10	9425082					0752	75								2.13
0510AA			WA FRT FRM BOLT		20	2436165					0752	75								2.14
0520AA			SPACER FRM BOLT		10	3914468					0752	75		0000	7500 20			M		2.16
0530AA*			NUT 50:60 FT LBS		10	9422301					0752	75								2.18
0600AA			BRACE ST RL XMBR		2	795964					0752	75		0000	7500 25			M		2.20
0610AAP			BOLT BRACE		4	9425082					0752	75								2.22
0610ABP			N5:105 FT LBS								0752	75								2.24
0620AA			WA BRAKE BOLT		8	2436165					0752	75								2.25
0630AA			WA BRACE BOLT		8	2459728					0752	75								2.27
0640AAP			NUT 50:60 FT LBS		4	9422301					0752	75								2.29
																				2.31

ZEO6X00
 MODEL APPLICATION
 FRAME ASM
 UPC DESCRIPTION

MODEL YEAR 1976
 ORIGIN DATE 770726
 LAST CHG. DATE
 LAST CHG. CODE
 70 2R A 2
 BK U. P. C. QM 108



GMT 922 8/74

UPC 3A FRT. SUSP. LESS HUBS, SPR. SHKS. & FRT. STAB.

Sht. #: Title:

1 Upper & Lower Control Asm.

UPC 3A1 FRT. DRV. CONV. FRT. SUSP. KNUCKLE

1 Front Brake & Hub. Asm.

UPC 3A2 FRT. DRIVE DIFF. & AXLE SHAFT

- 1 Final Drive Asm. to Trans.
- 2 Final Drive Asm. to Eng.
- 3 RH. Shaft Asm. to Final Drive
- 4 Final Drive Axle Asm.

UPC 3B FRT. WHL. BRGS. & SEAL

1 Frt. Brake & Hub. Asm.

UPC 3E FRT. SPR. INSTALL PARTS

1 Torsion Bar

UPC 3F FRONT SHOCKS

Sht. #: Title:

1 Front Shock Absorber

UPC 3G FRONT STAB.

1 Upper & Lower Control Arm.

(AUDIT)
INDEX - 1
3A-1 3E-1
3A1-1 3F-1
3A2-4 3G-1
3B-1

DYNAMIC (Installation) - LBS	HAND (Inspection) - LBS	DATE	SYM	REVISION	AUTH	DR	CR	DEPARTMENTS	78 TRUCK	BOOK 70	
		8/17		ORIGINAL RELEASE	47000				TITLE		
									INDEX		
									NAME FRONT SUSPENSION	DIVISION/UPC 3	SHEET A

ITEM	C	PART OR TOOL DESCRIPTION	ADD'L DATA	QTY	PART NUMBER	M O D	ENGINE CODES	SERIES	BDY ORK	ITEM RESTRICTION	DEPARTMENTS		CHANGE		LOGIC CODE	FUNCTION CODE	ADDITIONAL CODES	LINE NOS	
											#1	2/5FA	CD	AUTH					
		MVSS UPC GROUP 3	CAT. 3																1.8
		DUE CARE MUST BE EXERCISED IN THE HANDLING AND ASSEMBLY OF THE FRONT SUSPENSION COMPONENTS. UPPER AND LOWER CONTROL ARMS, STABILIZER BRACKETS AND SHAFTS, AND TORSION BARS AND SUPPORTS TO ASSURE CORRECT AND SECURE INSTALLATION:																	1.11
		1. UPPER CONTROL ARM TO FRAME BRACKET BOLTS ARE TO BE TORQUED TO THE SPECIFIED FT. LBS. WITH CHASSIS AT DESIGNED HEIGHT. CONTROL ARM NUTS MUST BE TIGHTENED TO MINIMUM REQUIRED TORQUE. MAXIMUM TORQUE MUST NOT BE EXCEEDED.																	1.11
		2. SQUARE END OF STABILIZER SHAFT OR ROUND END IDENTIFIED BY A DAUB OF YELLOW PAINT, MUST BE INSTALLED ON RIGHT HAND SIDE OF VEHICLE.																	1.21
		3. LUBRICATE TORSION BAR ENDS (3.0 INCHES) BEFORE INSERTION INTO RETAINERS. TAPE ON BARS MUST BE COMPLETELY OUTSIDE OF ANCHOR AFTER INSTALLATION- IF NOT RECHECK INSTALLATION OF TORSION BAR INSERTION INTO REAR CONTROL ARM. THERE MUST BE (0.1R-0.27) GAP BETWEEN END OF TORSION BAR AND REAR FACE OF TORSION BAR SUPPORT.																	1.21
		4. TORSION BARS MUST NOT BE NICHED, SCRATCHED OR STACKED ON FLOOR. WOODEN SHIPPING SEPARATORS MUST REMAIN BETWEEN BARS DURING STORAGE.																	1.31
		PROCESS DOCUMENTATION:																	1.53
		THIS PROCESS UTILIZES STANDARD TOOLS AND EQUIPMENT OF WHICH THE CAPABILITIES ARE WELL ESTABLISHED.																	1.50
		APPROVED BY:	<i>James E. Penah</i>															1.52	
		DATE:	<i>9/1/77</i>															1.54	

1 0 5 0	UPC 5	1977 PDM	ZEO5XXX	MODEL YEAR 1978
	CAT. 3			ORIGIN DATE
				LAST CHG DATE
				LAST CHG. CODE
F.M.V.S.S.	REFERENCE		FRONT APPLICATION FRONT SUSPENSION UPC DESCRIPTION	70 3 1 BK U. P. C. PAGE

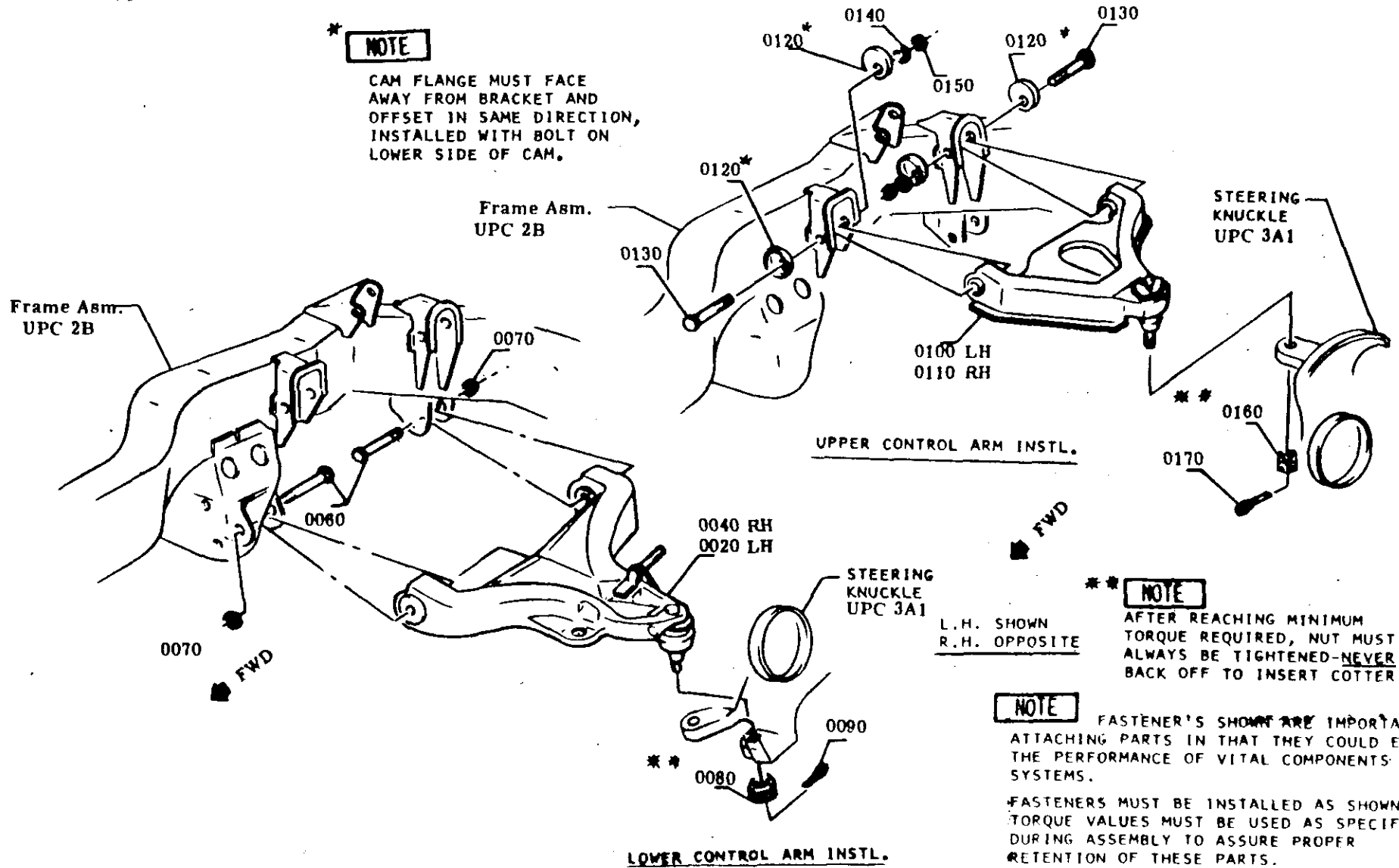


□ ITEM REFERENCE ◇ PROCESS MATERIAL ▲ TOPONE ▣ PART OF OR EXISTING

OMT 922 1-73

*** NOTE**

CAM FLANGE MUST FACE AWAY FROM BRACKET AND OFFSET IN SAME DIRECTION, INSTALLED WITH BOLT ON LOWER SIDE OF CAM.



**** NOTE**

AFTER REACHING MINIMUM TORQUE REQUIRED, NUT MUST ALWAYS BE TIGHTENED-NEVER BACK OFF TO INSERT COTTER PIN.

NOTE

FASTENER'S SHOWN ARE IMPORTANT ATTACHING PARTS IN THAT THEY COULD EFFECT THE PERFORMANCE OF VITAL COMPONENTS AND SYSTEMS.

FASTENERS MUST BE INSTALLED AS SHOWN. TORQUE VALUES MUST BE USED AS SPECIFIED DURING ASSEMBLY TO ASSURE PROPER RETENTION OF THESE PARTS.

DYNAMIC (Inspection) - LBS	STATIC (Inspection) - LBS	DATE	SYM	REVISION	AUTH	DR	CR	DEPARTMENTS	78 TRUCK BOOK 70		
▲		6-1-77		ORIGINAL RELEASE	47200	PT	SK		TITLE UPPER & LOWER CONTROL ARM		
									FRONT SUSPENSION	3A	1

PRODUCT DESCRIPTION MANUAL

ASSEMBLY INFORMATION

GMT 1081 REV. 8/78

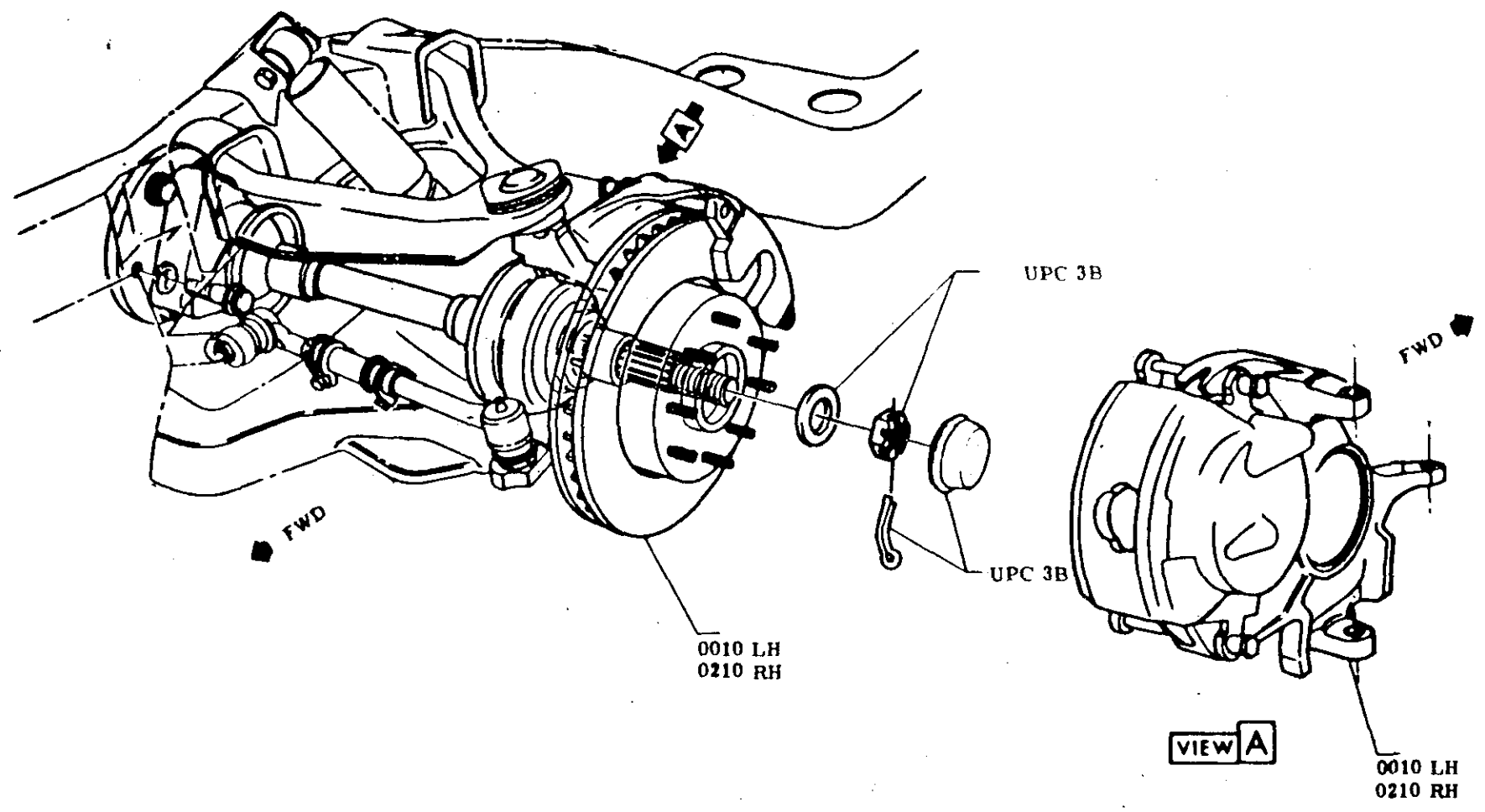
SHK, TRUCK & COACH

ITEM	S E Q	PART OR TOOL DESCRIPTION	ADD'L DATA	QTY	PART NUMBER	U O I D	ENGINE CODES	SERIES	BODY BRK	ITEM RESTRICTION	DEPARTMENTS		CHANGE		LOGIC CODE	FUNCTION CODE	ADDITIONAL CODES	PNA	LINE NOS	
											#1	2/STA	CD	AUTH						
AAU1024		FRT SUSP & STRG			L2773						0752									1.8
AAU1024		F WHL ALIGNMENT			L4584						0752									1.14
AAU3014		TIRE LEAK CHK.			L8650						0752									1.12
GU21AA		ARM LWR CNT LH		1	792768						0752	66			0000660010					1.14
GU21AA		NOTE: ITEM #0030 IS PART OF EAL #0020.									0752	66								1.14
GU302A		ARM ASM LH		1	792770						0752	66								1.20
GU40AA		ARM LWR CNT RH		1	792769						0752	66			0000660015					1.22
GU41AA		NOTE: ITEM #0050 IS PART OF EAL #0040.									0752	66								1.24
GU502A		ARM ASM RH		1	792771						0752	66								1.24
GU60AA		BOLT ARM/FRM		4	9421431						0752	66								1.24
GU60AB		90:110 FT LBS									0752	66								1.25
GU70AA		NUT 75:85 FT LBS		4	9422301						0752	66								1.31
GU80AA		NUT FALL JOINT		2	9414579						0752	66								1.32
GU80AB		100:125 FT LBS									0752	66								1.34
GU90AA		PIN CUTTER		2	9433044						0752	66								1.36
GU00AA		ARM UPR CNT LH		1	412297						0752	66			0000660026					1.38
GU10AA		ARM UPR CNT RH		1	412296						0752	66			0000660025					1.40
GU20AA		CAH UPR ARM ADJ		8	395038						0752	66			0000660030					1.42
GU30AA		BOLT ARM/FRM		4	395039						0752	66								1.44
GU40AA		WA CNT ARM		4	794360						0752	66								1.46
GU50AA		NUT 80:95 FT LBS		4	394382						0752	66								1.48
GU60AA		NUT FALL JOINT		2	274428						0752	66								1.50
GU60AB		80:100 FT LBS									0752	66								1.52
GU70AA		PIN CUTTER		2	9431604						0752	66								1.54

1 2 3 4 5		ZE06X00	MODEL YEAR 1978 ORIGIN DATE T70726 LAST CHG. DATE LAST CHG. CODE
F.M.V.B.R.	REFERENCE	MODEL APPLICATION FRT SUSP LESS SHK, SPRINGS, SHK & FRT STABILIZER UPG DESCRIPTION	TO 3A A BK U. P. C. QNF

□ ITEM REFERENCE ◇ PROCESS MATERIAL △ TORQUE ▣ PART OF OR EXISTING

GMT 922 1-73



DATE	SYN	REVISION	AUTH	DR	CR	DEPARTMENTS	73 TRUCK	BOOK 70
6-1-77		ORIGINAL RELEASE	47000			THOMPSON	TITLE	
							FRONT BRAKE & HUB ASSEMBLY	
							FRONT DRIVE	
							3A1	1



PRODUCT DESCRIPTION MANUAL

ASSEMBLY INFORMATION

ITEM	QTY	PART OR TOOL DESCRIPTION	ADD'L DATA	QTY	PART NUMBER	ENGINE CODES	SERIES	REV BRK	ITEM RESTRICTION	DEPARTMENTS		CHANGE AUTH	LOGIC CODE	FUNCTION CODE	ADDITIONAL CODES	LINE NOS.
										#1	2/STA					
A4101	1	FRT SUSP L STRG			L2773					0752						1.8
A4201	1	FRT HUB & BRK			L4330					0752						1.10
00104A	1	KNUCKLE STRG LH		1	700549					0752	66		0000660085			1.17
00114A		NOTE: ITEMS 0020 THRU 0110 ARE PART OF EAL 0010.														
00202A	1	KNUCKLE STRG		1	700831					0752	66					1.21
00302A	1	BRAKE ASM		1	118000201					0752	66					1.23
00402A	1	HUB & ROTOR ASM		1	704056					0752	66					1.25
00502A	1	DRG PACK WHL		1	7455526					0752	66					1.27
00602A	1	RETAINER BRG		1	414318					0752	66					1.29
00702A	3	EOLT BRG KEY		3	9418967					0752	66					1.31
00702A	3	WALR EOLT		3	103321					0752	66					1.33
00902A	1	SEAL ASM LTR		1	401024					0752	66					1.35
01002A	1	SEAL ASM INN		1	401026					0752	66					1.37
01102A	4	LUBRICANT		4	9985009					0752	66	57949			03294	1.39
02104A	1	KNUCKLE STRG RH		1	700548					0752	66		0000660090			1.41
02114A		NOTE: ITEMS 0220 THRU 0310 ARE PART OF EAL 0210.														
02202A	1	KNUCKLE STRG		1	700830					0752	66					1.43
02302A	1	BRAKE ASM		1	118000202					0752	66					1.45
02402A	1	HUB & ROTOR ASM		1	704056					0752	66					1.47
02502A	1	DRG PACK WHL		1	7455526					0752	66					1.51
02602A	1	RETAINER BRG		1	414318					0752	66					1.53

1 2 3 4 5 FMVSS	REFERENCE	ZEO6X00	MODEL YEAR 1978
		MODEL APPLICATION	ORIGIN DATE 770726
		FRT DRIVE CONVENTIONAL FRT SUSP KNUCKLE	LAST CHG DATE 770927
		UPC DESCRIPTI	LAST CHG CODE 57949
			70 3A1 A 1
			BK U. P. C. P PAGE



PRODUCT DESCRIPTION MANUAL

ASSEMBLY INFORMATION

QTY	PART OR TOOL DESCRIPTION	PART NUMBER	ENGINE CODES	DEPARTMENT	CHANGE AUTH	LOGIC CODE	FUNCTION CODE	ENA	LINE NOS
3	BOLT BRG RET	9418967		0752					1.5
3	HA LB BOLT	103321		0752					1.5
1	SEAL ASM AIR	401024		0752					1.5
1	SEAL ASM INR	401026		0752	66				2.4
*	LUBRICANT	9985009		0752	66	57949		3299	2.4

F.M.	REFERENCE	ZE06X00	MODEL YEAR 1978
		MODEL APPLICATION	ORIGIN DATE 770726
		FRT DR CONVENTIONAL FRT SUSP KNUCKLE	LAST CHG. DATE 770819
		UPG DESGN	LAST CHG. CODES 7949
			70 3 A 2 BK V. P. DRP PAGE

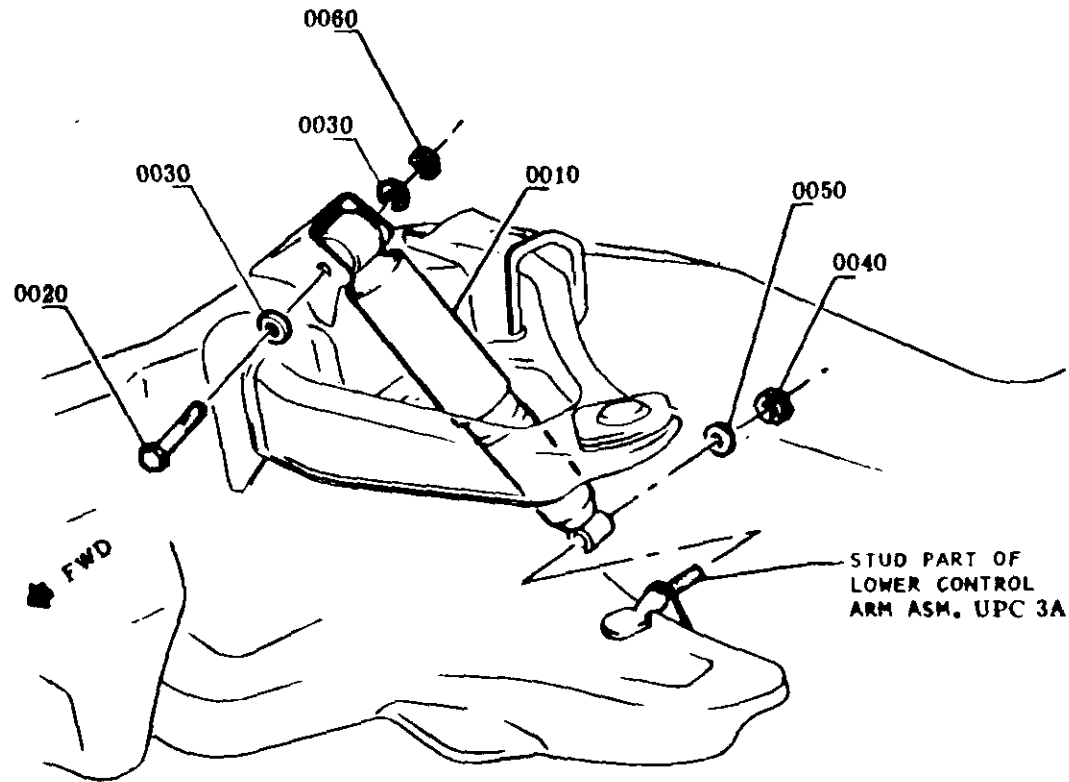
ITEM NO.	PART OR TOOL DESCRIPTION	ADD'L DATA	QTY	PART NUMBER	ENGINE CODES	SERIES	BODY BIK	ITEM RESTRICTION	DEPARTMENTS		CHANGE CD	AUTH	LOGIC CODE	FUNCTION CODE	ADDITIONAL CODES	LINE NOS
									#1	2/STA						
0300AA	SHAFT RE DIFF		1	40370R					0752	61			0000	610025		1.53
0310AA	STUB/SCR & WA		1	411349					0752	61			0000	610030		1.55
0320AA	SC & WA SHF SUPT		1	340494					0752	61						1.57
0320AA	45855 FT LBS								0752	61						1.58
0400AA	SHAFT FRT AX DR		2	7815414					0752	67			0000	670015		2.1
0410AA	BULT SHAFT		12	394777					0752	67						2.3
0410AA	60875 FT LBS								0752	67						2.4
0420AA	WA SHAFT BOLT		12	9423406					0752	67						2.6
0430AA	LUB FINAL DR		*	9985035					0752	64						2.8
0431AA	INDT: USE 250 GAL. PER		1000	VEH					0752	64						2.9
0500AA	TUBE ASM OIL FIL		1	405360					0752	61			0000	610035		2.11
0510AA	SEAL FIL TUBE		1	2264902					0752	61			0000	610040		2.13
0520AA	LUB TUBE SEAL	AS REQD	*	9985252					0752	61						2.15
0550AA	INDICATOR OIL		1	1489612					0752	61			0000	610045		2.18
0560AA	LUB TUBE DPR SEAL	AS REQD	*	9985252					0752	61						2.20

2E06X00

MODEL APPLICATION
FRT DRIVE FINAL DRIVE, DIFF & AXLE SHAFT
UPC DESCRIPTI

MODEL YEAR 1978
ORIGIN DATE 770726
LAST CHG DATE 770927
LAST CHG CODE
70 3A2 A 2
BK U. P. C. PAGE

CNT 742 1-73



LH SHOWN
RH OPPOSITE

ENGINEER (Production) - LBS	INSP (Inspection) - LBS	DATE	SYM	REVISION	AUTH	DR	CK	DEPARTMENTS	TITLE
		6-1-77		ORIGINAL RELEASE	47000 RT				78 TRUCK
									BOOK 79
									FRONT SHOCK ABSORBER
									DIVISION: 3F SHEET: 1

ITEM	S E Q	P V	RT OR TOOL DESCRIPTION	ADD'L DATA	QTY	PART NUMBER	ENGINE CODE	SERIES	DOY	ITEM DESCRIPTION	DEPARTMENTS		CHANGE		LOGIC CODE	FUNCTION CODE	ADDITIONAL CODES	PN	NE OS	
											#1	2/STA	CD	AUTH						
000	AA4		FR1 S/AES INSTL		1	LB90					0752									1.8
0010AA			ABSORBER SHK		2	4975540					0752	68			0000680610					1.1
0020AA			BOLT ABS & FRM		2	9430836					0752	68								1.1
0030AA			WA AIS ECLT		4	2436166					0752	68								1.2
0040AA			WGT 60:55 FT LBS		2	9422303					0752	68								1.2
0050AA			WA & SUSP ARM		2	409065					0752	68								1.2
0060AA			WGT 60:55 FT LBS		2	9422303					0752	68								1.2

1 2 3 4 5	ZE05000										MODEL YEAR 1978									
											ORIGIN DATE 770726									
											LAST CHG. DATE									
											LAST CHG. CODE									
	F.M.V.B.B.										REFERENCE									
										MODEL APPLICATION										
										FRONT SHOCK ABSORBER										
										UPC DESCRIPTION										
										70 3F A 1										
										BK U. P. C. OR *ABE										

PRODUCT DESCRIPTION MANUAL

ASSEMBLY INFORMATION

GMT 1061 REV 8/78

ONE TRUCK & CRACK

ITEM	SEQ	P/M	PART OR TOOL DESCRIPTION	ADD'L DATA	QTY	PART NUMBER	M.O.	ENGINE CODES	SERIES	BOY	ITEM RESTRICTION	DEPARTMENTS			CHANGE	LOGIC CODE	FUNCTION CODE	ADDITIONAL CODES	FNA	LINE NO.	
												#1	2/STA	CD	AUTH						
AAG1C14			FRT SUSP & STAB			L2773						0752								1.0	
AAG2014			FRT WHL ALIGN			L4584						0752								1.10	
0020AA			SHAFT FRT STAB		1	693154						0752	68		0000680015				M	1.13	
0021AA			NOTE: SQUARE END OF SHAFT OR ROUND END IDENTIFIED DARR OF YELLOW									0752	68								1.19
0030AA			BUSHING SHAFT		2	550211						0752	68		0000680020				M	1.21	
0040AA			BRKT FRT STAB		2	406965						0752	68		0000680025				M	1.23	
0050AA			SC BRK TO FRM		4	9417750						0752	68							1.25	
0050AB			20:20 FT LBS									0752	68							1.26	
0100AA			BOLT STAB LINK		2	389271						0752	68							1.28	
0110AA			GROM STAB LK BLT		8	4941131						0752	68							1.30	
0120AA			RETAINER		8	4941130						0752	68		0000680030				M	1.32	
0130AA			SPACER STAB LINK		2	389273						0752	68		0000680035				M	1.34	
0131AA			NOTE: FOR GROMMET, SPACER, RETAINER RELATIONSHIPS, SEE GRAPHIC SHEET									0752	68								1.38
0140AA			NUT STAB BOLT		2	1365065						0752	68							1.38	
0140AB			120:180 IN LBS									0752	68							1.39	
0141AA			NOTE: AFTER NUT IS TORQUED BOLT MUST BE CUT OFF AT MAX. 1/4" FROM NUT.									0752	68								1.41

		ZE06 X00	MODEL YEAR 1978
			ORIGIN DATE 770727
			LAST CHG. DATE
			LAST CHG. CODE
			70 36 / 1
			SK V. P. C. 0 PAGE

F.M.V.B.

REFERENCE

MODEL APPLICATION
FRONT STABILIZER
UPC DESCRIPTION

4



GMT 922 8/74

UPC 4A5 REAR WHEEL BEARINGS & SEALS

Sht. #:	Title:
1	Bearings & Seals

UPC 4B REAR SPRING

1	Air Spring
---	------------

UPC 4D REAR SPRING INSTALLED PARTS

1	Control Arm
2	Air Spring & Control Arm

UPC 4E REAR SHOCKS

1	Rear Shocks
---	-------------

UPC 4K1 REAR AIR SUSPENSION VALVES & CONTROLS

Sht. #:	Title:	Restrictions:
1	Rear Hose Routing	
2	Electronic Height Sensor Asm.	

(AUDIT)
INDEX-1
4A5-1
4B-1
4D-2
4E-1
4K1-2

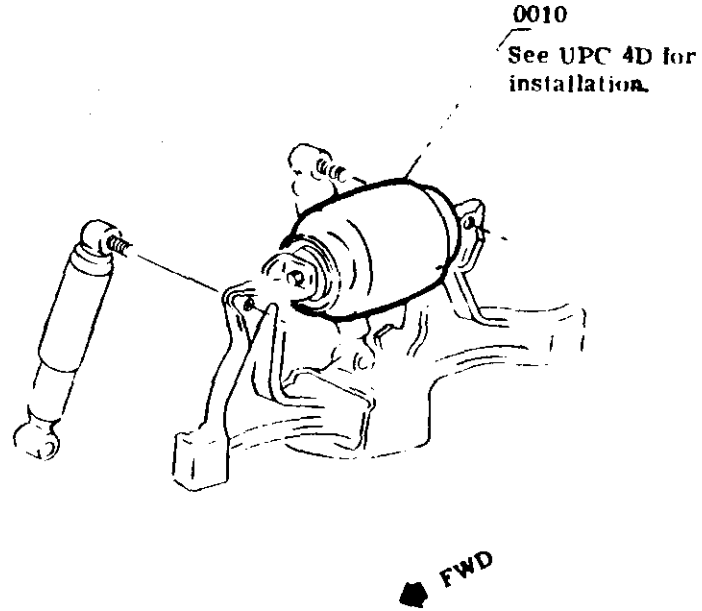
DYNAMIC (Installation) - LBS	HAND (Inspection) - LBS	DATE	SYM	REVISION	AUTH	DR	CR	DEPARTMENTS	TRUCK	BOOK	
		7-11-71		ORIGINAL RELEASE	47000	RT		R. THOMPSON	78	70	
									TITLE INDEX		
									NAME REAR SUSPENSION RR AXLE	DIVISION/UPC 4	SHEET A

ITEM	SEQ	P/V	PART OR TOOL DESCRIPTION	ADD'L DATA	QTY	PART NUMBER	ENGINE CODES	SERIES	BOX B/W	ITEM RESTRICTION	DEPARTMENTS		CHANGE		LOGIC CODE	FUNCTION CODE	ADDITIONAL CODES	PK	LINE NOS.
											BT	2/STA	CD	AUTH					
AAC1014			RR HUB & BRAKE DRUM		*	16095					0752								1.0
											0752								1.9
AA02014			LUB. CHART		*	M010298					0752								1.11
			SEAL ASM BRG		4	3857731					0752	76			0000760005				1.14
			CONE & RLR ASM		4	7451228					0752	76			0000760010				1.20
			CONE & RLR ASM		4	7450244					0752	76			0000760019				1.22
			SEAL BRG		4	3926465					0752	76							1.24
			WGT 20-30 FT LBS		4	9953436					0752	76							1.26
			REF. SEE GRAPHIC 4A5 - SHEET 1 - FOR ADDITIONAL INSTRUCTION.								0752	76							1.28
			PIN ADJ BRG		4	103386					0752	76							1.30
			CAP DUST INR		4	3936465					0752	76			0000760020				1.32
			CAP DUST OUTER		4	721381					0752	76			0000760025				1.34
			GREASE BRG		*	9985005				250 LBS PER 1000 VEH.	0752	76							1.36

F.M.V.S.S.	REFERENCE	ZE06X00	MODEL YEAR 1978
		MODEL APPLICATION	ORIGIN DATE 770727
		REAR WHEEL BRGS & SEALS	LAST CHG. DATE
		UPC DESCRIPTION	LAST CHG. CODE
			70 4A5 A 1
			SK U. P. C. OF PAGE



GMT 922 1/75



SYMBOL (Installation) - LBS	SYMBOL (Inspection) - LBS	DATE	SYM	REVISION	AUTH	DR	CR	DEPARTMENTS	TRUCK	BOOK	
		7/77		ORIGINAL RELEASE	71000			T. Johnson	78	70	
									TITLE		
									AIR SPRING		
									NAME	DIVISION/UPC	SHEET
									REAR SPRING	48	1



PRODUCT DESCRIPTION MANUAL
ASSEMBLY INFORMATION

ITEM	SEQ	REV	PART OR TOOL DESCRIPTION	ADD'L DATA	QTY	PART NUMBER	M O D	ENGINE CODES	SERIES	BOV	SPK	ITEM RESTRICTION	DEPARTMENTS		CHANGE		LOGIC CODE	FUNCTION CODE	ADDITIONAL CODES	FN.	LINE NOS
													#1	2/STA	CD	AUTH					
AA01014			AIR LINES RR		*	L6605							0752								1.9
AA01024			SUSP.										0752								1.9
AA02014			RR SUSP AIR SPR		*	L3958							0752								1.11
AA03014			FRT WHI ALIGN		*	L4584							0752								1.13
AA04014			TIRE CLEARANCE		*	L8650							0752								1.15
AA04024			CHECK.										0752								1.16
AA05014			TIRE CLEARANCE		*	L8830							0752								1.18
AA05024			STUDY										0752								1.18
0010AA			BRKT CONT ARM		2	721332							0752	76			0000760035		M		1.25
0020AA			SHIM CONT BRKT		*	702245							0752	75			0000750035		M		1.27
0030AA			SHIM CONT BRKT		*	702246							0752	75			0000750040		M		1.29
0040AA			ARM ASM		2	721316							0752	76			0000760040		M		1.31
0050AA			ARM ASM		2	721317							0752	76			0000760045		M		1.33
0060AA			WASHER		8	721087							0752	76							1.35
0070AA			SEAL THRUST		8	721373							0752	76			0000760050		M		1.37
0080AA			PIN THRUST		24	9415609							0752	76							1.39
0090AA			NUT SPRG MTG		4	219758							0752	76							1.41
0090AB			50:60 FT LBS										0752	76							1.42
0100AA			WASHER		4	138506							0752	76							1.44
0110AA			COMPOUND		*	8860775							0752	76							1.46
0120AA			PIN ARM BRKT		4	721329							0752	76			0000760055		M		1.48
0130AA			PLATE		2	721331							0752	76			0000760060		M		1.50
0140AA			SCREW		2	2433648							0752	76							1.52
0140AB			30:35 FT LBS										0752	76							1.53

F.M.V.S.S.	REFERENCES	ZE06X00	MODEL YEAR 1978
		MODEL APPLICATION REAR SPRING METAL PARTS	ORIGIN DATE 770727
		UPC DESCRIPTION	LAST CHG. DATE
			LAST CHG. CODE
			70 4D A 1
			BR. U. P. C. D. 'AGE

ITEM	S E Q	P V	PART OR TOOL DESCRIPTION	ADD'L DATA	QTY	PART NUMBER	ENGINE CODES	SERIES	BOX BRK	ITEM RESTRICTION	DEPARTMENTS		CHANGE		LOGIC CODE	FUNCTION CODE	ADDITIONAL CODES	FN	LINE NOS
											#1	2/STA	CD	AUTH					
0150AA			FITTING		4	9411010					0752	76			0000760065			M	1.55
0160AA			O RING		4	2443965					0752	76			0000760070			M	1.57
0170AA			SPACER PIN		4	721330					0752	76			0000760075			M	1.59
0180AA*			LOCK NUT		4	791148					0752	76							2.2
0180AB*			40:45 FT LBS								0752	76							2.3
0190AA			WASHER PIN		4	2436170					0752	76							2.5
0200AA			BOLT		4	9426323					0752	76							2.7
0210AA			BOLT		8	9426323					0752	76							2.9
0220AA			WASHER		24	2436165					0752	76							2.11
0230AA*			LOCK NUT		12	9422301					0752	76							2.13
0230AB*			50:60 FT LBS								0752	76							2.14

P M V B B	ZE06X00	MODEL YEAR 1978 ORIGIN DATE 770727 LAST CHG. DATE LAST CHG. CODE
	MODEL APPLICATION REAR SPRING INSTAL PARTS	70 40 A 2 BK U. P. C. OF AGE
	REFERENCE	
	UPC DESCRIPTION	

PRODUCT DESCRIPTION MANUAL
ASSEMBLY INFORMATION

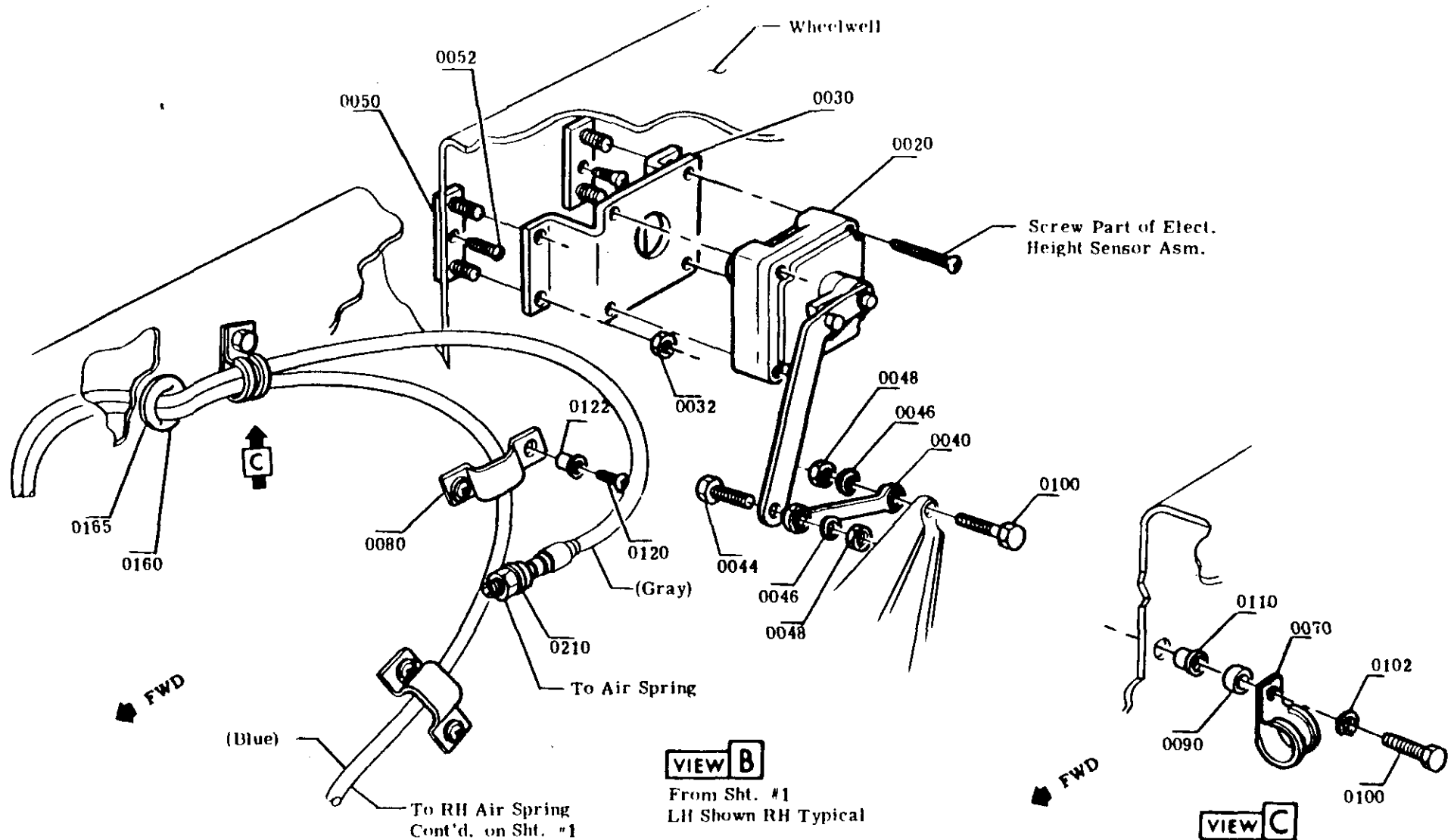
GMT 1063 REV. 9/75

GEN. TRUCK & COACH

ITEM	SEQ	PVS	RT OR TOOL DESCRIPTION	ADD'L DATA	QTY	PART NUMBER	ENGINE CODES	SERIES	BOV BRK	ITEM RESTRICTION	DEPARTMENTS		CHANGE		LOGIC CODE	FUNCTION CODE	ADDITIONAL CODES	FN.	LINE NOS
											#1	2/STA	CD	AUTH					
AA01074			RR SUSP JOINCE		4	13945					0752								1.9
AA01074			POSN BUMP STOP								0752								1.9
DD10AA			ABSORBER RS SHK		4	4975547					0752	76			0000760080			M	1.17
DD20AA			BRKT SLABS		4	701096					0752	76			0000760085			M	1.19
DD30AA			BOLT ABS BRKT		4	9425082					0752	76							1.21
DD40AA			WASHER S/ABS		4	2436169					0752	76							1.23
DC50AA			NUT 50:60 FT LBS		4	9422301					0752	76							1.25
DC60AA			BOLT BRKT		4	9428598					0752	76							1.27
DD70AA			WASHER BRKT		8	2436166					0752	76							1.29
DD80AA			NUT 70:90 FT LBS		4	9422303					0752	76							1.31
DC90AA			NUT 70:90 FT LBS		4	9422306					0752	76							1.33

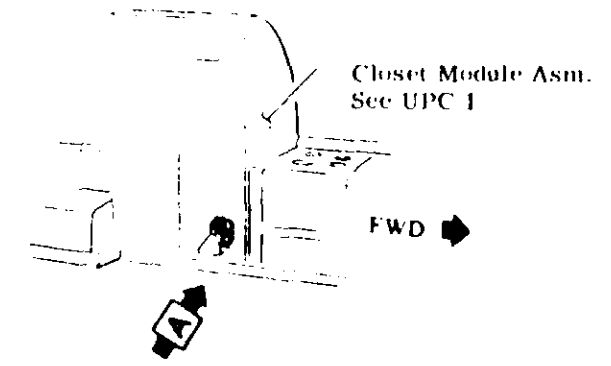
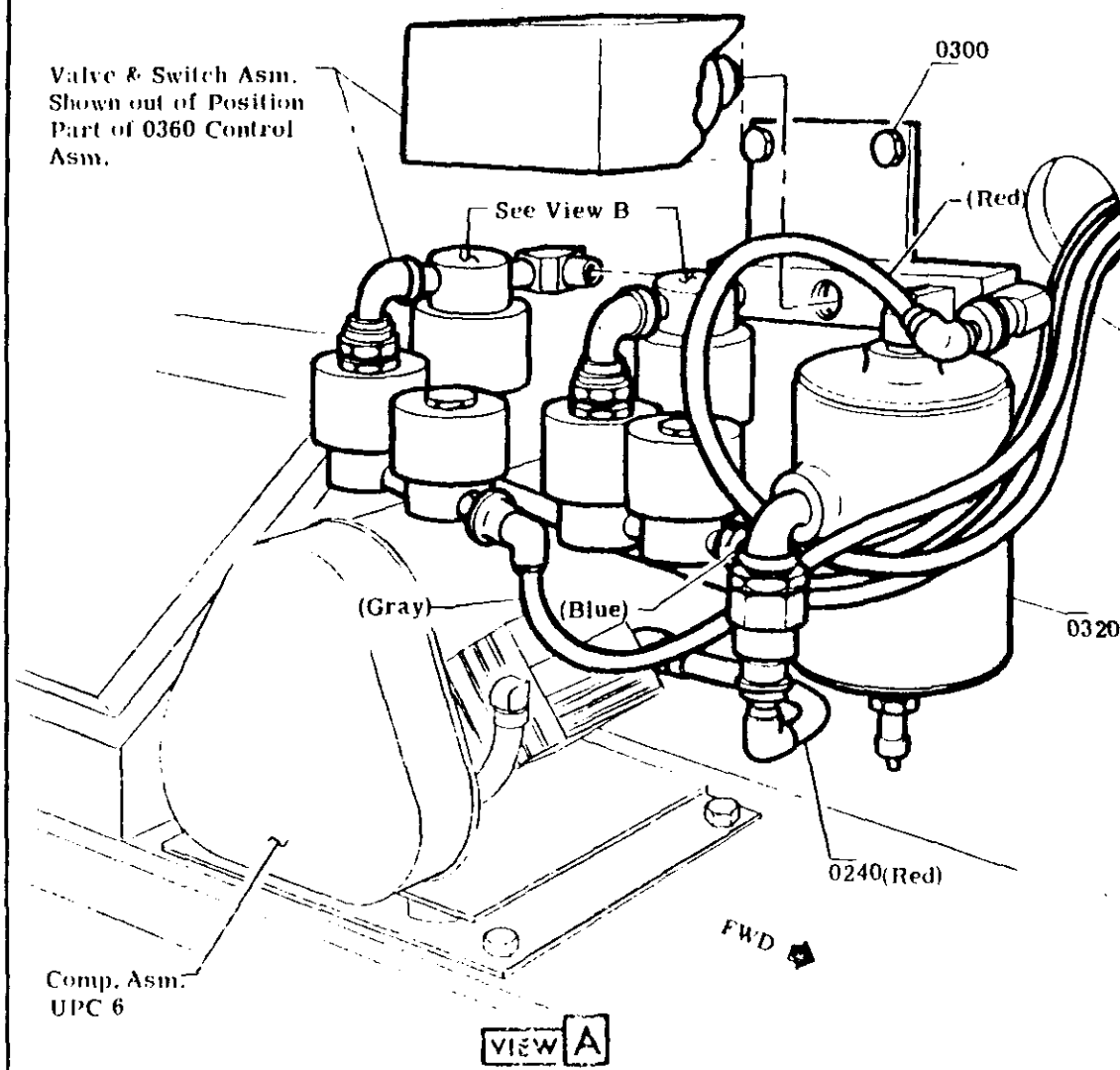
F.M.V.S.S.	MODEL APPLICATION	ZED6X00	MODEL YEAR 1978
	REAR SHOCK ABSORBER		ORIGIN DATE 770727
	UPC DESCRIPTION		LAST CHG. DATE
			LAST CHG. CODE
			70 4E A 1
			BK U. P. C. OF AGE

GMT 922 1/75

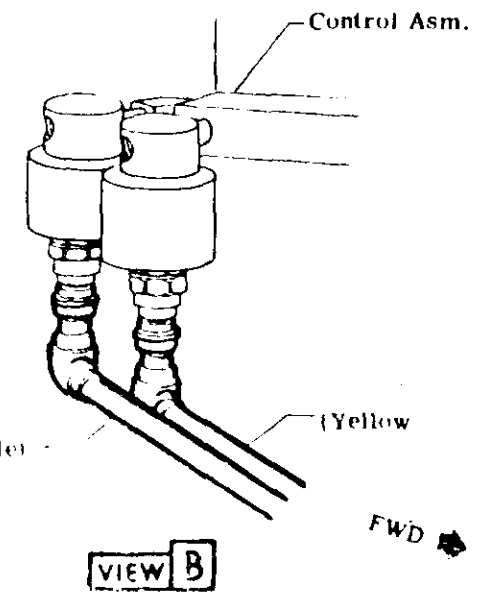


DYNAMIC (Installation) - LBS	HAND (Inspection) - LBS	DATE	SYM	REVISION	AUTH	DR	CE	DEPARTMENTS	78 TRUCK	BOOK 70
△		11-77		ORIGINAL RELEASE	47800	SP				
△										
△										
△										
△										
△										
TITLE									ELECTRONIC HEIGHT SENSOR ASM.	
NAME SUSP. VALVES & CONTROLS									DIVISION/UPC	
									4K1	
									SHEET	
									2	

GMT 922 8/74



Harness Asm.
For Continuation
See Sheet #1



DYNAMIC (Installation) - LBS	HAND Inspection - LBS	DATE	BY	REVISION	QTY	DZ	PK	DEPARTMENTS	TRUCK	BOOK
△ △ △ △				CONTROL ASSEMBLY					73 TRUCK	70
									CONTROL ASM. Z106591 W GXW	
									REAR AIR DIVISION:UPC SUSP. VALS. 4X1	SHEET 4

ITE	PART OR TOOL DESCRIPTION	ADD'L DATA	QTY	PART NUMBER	ENGINE CODES	SERIES	BODY PPK	ITEM RESTRICTION	DEPARTMENTS		CHANGE		LOGIC CODE	FUNCTION CODE	ADDITIO. CODES	FNA	LINE NOB.
									#1	2/5TA	CD	AUTH					
AA01014	RR SUSP AIR SPR		*	13958					0752								1-8
AA02014	RR AIR SUSP CONT		*	19362					0752								1-10
AA03014	RR SUSP CONT		*	18016				GXM	0752								1-12
AA04014	RR SUSP CONT		*	18229				R1GXM	0752								1-14
AA05014	RR SUSP CONT		*	18231				R1GXM	0752								1-14
AA06014	RR SUSP AIR SPR		*	13958					0782								1-16
AA07014	RR AIR SUSP CONT		*	19362					0782								1-20
AA08014	RR SUSP CONT		*	18016				GXM	0754								1-22
AA09014	RR SUSP CONT		*	18229				R1GXM	0754								1-24
AA10014	RR SUSP CONT		*	18231				R1GXM	0754								1-24
AA11014	RR SUSP CONT		*	18016				GXM	0784								1-24
AA12014	RR SUSP CONT		*	18229				R1GXM	0784								1-30
AA13014	RR SUSP CONT		*	18231				R1GXM	0784								1-32

A B C D E F.M.	ZE06X00										MODEL YEAR 1978	
	MODEL APPLICATION REAR 17" SUSP VALVES & CONTROLS										ORIGIN DATE 770727	
VPS DESIG										LAST CHG. DATE		
										LAST CHG. CODE		
										70 4 A 1		
										PAGE		

PRODUCT DESCRIPTION MANUAL

ASSEMBLY INFORMATION

GMT 1081 REV. B/78



ITEM	QTY	PART OR TOOL DESCRIPTION	ADD'L DATA	QTY	PART NUMBER	ENGINE CODES	SERIES	DOY BRN	ITEM RESTRICTION	DEPARTMENT		CHANGE		LOGIC CODE	FUNCTION CODE	ADDITION CODES	PNA	LINE NO.
										#1	2/8TA	CD	AUTH					
0010AA		VALV HEIGHT COMT		2	4992987				GXM	0752	76			1387760200				1.34
0020AA		SENSOR HEIGHT		2	22007286				-GXM	0782	43			1388430100				1.34
0030AA		BRKT SENSOR		2	2027283				-GXM	0752	77			1388770045				1.34
0032AA		MUT BRKT		8	271178					0782	43							1.40
0032AB		95:140 LB IN								0782	43							1.40
0040AA		LINK ASM SENSOR		2	4950793					0752	77			0000770040				1.43
0042AA		BOLT LINK		2	9419006					0752	77							1.43
0044AA		BOLT LINK		2	9419010					0752	77							1.47
0048AA		WA BOLT		4	2436161					0752	77							1.49
0048AA		MUT 60:90 IN LBS		4	9422273					0752	77							1.51
0050AA		PLATE SENS MT		4	694606					0704	10			0000100070				1.53
0052AA		SCR PLT		4	443939					0704	10							1.55
0060AA		CLIP HOSE		4	1480632				-GXM	0752	76			1388780090				1.57
0070AA		CLIP HOSE		1	2007378				-GXM	0754	88			1388880033				1.59
0080AA		CLIP HOSE		4	2423131				-GXM	0754	88			1388880035				2.2
0090AA		SPACER CLIP		1	2476733				-GXM	0754	88			1388880040				2.4
0100AA		BOLT CLIP		1	9419006					0754	88							2.6
0100AA		35:60 LB IN								0754	88							2.7
0102AA		WA BOLT LK		1	103319					0754	88							2.9
0110AA		RIVNUT BOLT		1	2404667					0754	88							2.11
0120AA		SCR ASM CLIP		8	456890					0754	88							2.13
0122AA		RIVNUT SCR		8	2464989					0754	88							2.15

ZE06X00

MODEL APPLICATION

REAR A SUSP VALVES & CONTROLS
UPC DRCS

MODEL YEAR 1978
ORIGIN DATE 770727
LAST CHG. DATE
LAST CHG. CODE

70 4 A 2
85 U. P. GMP PAGE

REFERENCE

PRODUCT DESCRIPTION MANUAL

ASSEMBLY INFORMATION

QMT 1061 REV. 8/78



ITEM	S E Q	PART OR TOOL DESCRIPTION	ADD'L DATA	QTY	PART NUMBER	ENGINE CODES	SERIES	REV	ITEM RESTRICTION	DEPARTMENTS		CHANGE		LOGIC CODE	FUNCTION CODE	ADDITIONAL CODES	PMA	LINE NOS.
										#1	2/STA	CD	AUTH					
0130AA		HOSE SENSOR		1	2007612				-GXW	0752	78			1388780100				2.17
0140AA		HOSE SENSOR		1	2007613				-GXW	0752	78			1388780105				2.18
0150AA		HARN AIR SUSP		1	2007611				GXM	0752	76			1387760205				2.21
0160AA		GROMMET		2	2215928				GXM	0754	88							2.23
0160AB		GROMMET		1	2215928				-GXW	0754	88							2.24
0165AA		SEALER GROM		4	8861476					0754	88							2.26
0170AA		CLIP HARN		1	2301257				GXM	0754	88			1387880190				2.28
0180AA		SPACER CLIP		1	2476733				GXM	0754	88			1387880195				2.30
0190AA		CLIP LINES/CMBR		3	708513				GXM	0752	76			1387760210				2.32
0200AA		CLIP SPCR		4	2423131				GXM	0754	88			1387880200				2.34
0210AA		ADAPTER FTG		2	793387				-GXW	0752	77			1388770035				2.36
0210AB		ADAPTER FTG		4	793387				GXM	0752	77			1387770035				2.37
0220AA		ADAP LINE-FTG		2	793388				GXM	0752	76			1387760215				2.39
0230AA		ADAP LINE-FTG		2	793389				GXM	0752	76			1387760220				2.41
0240AA		HARN RED A SUSP		1	2007617				GXM	0752	76			1387760225				2.43
0250AA		SW TMK-PRESS		1	2008347				81GXW	0754	90			1387900100				2.45
0260AA		VLV SOL		2	2006761				81GXW	0754	90			1387900105				2.47
0270AA		BRKT SOL HT		1	2007486				81GXW	0754	90			1387900110				2.49
0280AA		ADAP SOL VLV		4	793388				81GXW	0754	90			1387900115				2.51
0280AB		10:15 IN LBS								0754	90							2.52
0290AA		SEALER LINE CONN	72"	4	8860653				81GXW	0754	90							2.54
0300AA		SCR TK-SW-SOL		5	9420065				81GXW	0754	90							2.56
0310AA		SCR VLV-BRKT		4	456963				81GXW	0754	90							2.58
0320AA		CONT AIR SUSP		1	2008492				81GXW	0754	90			1387900120				3.1

F M V S S	REFERENCE	ZE06X00	MODEL YEAR 1978
		MODEL APPLICATION	ORIGIN DATE 770727
		REAR AIR SP VALVES & CONTROLS	LAST CHG. DATE 770817
		UFC DESCRIPTION	LAST CHG. CODE
			70 4K A 3
			BE W.P.L. AM P88



PRODUCT DESCRIPTION MANUAL

ASSEMBLY INFORMATION

GMT 1061 REV. 8/75

GMC TRUCK & COACH

ITEM	L Q	PART OR TOOL DESCRIPTION	ADD'L DATA	Q T Y	PART NUMBER	O D	ENGINE CODES	SERIES	HYD BRK	ITEM RESTRICTION	DEPARTMENTS		CHANGE C.D.	LOGIC CODE	FUNCTION CODE	ADDITIONAL CODES	P N A	LINE NOS	
											#1	2/STA							
		MVSS STD. 116 CAT. 1 (HYDRAULIC BRAKE FLUID)																	1.8
		1. HYDRAULIC BRAKE FLUID SHALL COMPLY WITH THE REQUIREMENTS OF THE FEDERAL MOTOR VEHICLE SAFETY STANDARD #116.																	1.11 1.12
		2. DUE CARE MUST BE USED IN HANDLING, STORAGE AND INSTALLATION OF HYDRAULIC BRAKE FLUID TO AVOID ANY CONTAMINATION AND INCLUSION OF EXCESSIVE AIR BUBBLES.																	1.15 1.16
		3. PROLONGED EXPOSURE TO ATMOSPHERE IN OPEN CONTAINERS SHOULD BE AVOIDED TO PREVENT ABSORPTION OF MOISTURE FROM THE AIR.																	1.19 1.20
		4. A LABORATORY SAMPLE MUST BE TAKEN FROM THE "HYDRAULIC BRAKE FLUID CONDITIONER" TWICE WEEKLY FOR LABORATORY ANALYSIS.																	1.23 1.24
		5. IT IS REQUIRED THAT EACH TIME A NEW HYDRAULIC FLUID BULK CONTAINER IS CONNECTED TO THE MAIN SUPPLY SYSTEM A FLUID SAMPLE IS TO BE TAKEN AND SENT TO THE "FUEL AND LUBRICATION" LABORATORY FOR ANALYSIS. THE CERTIFICATION TAG FROM THE USED BULK CONTAINER MUST ALSO BE REMOVED AND SENT TO THE LABORATORY FOR RECORD PURPOSES.																	1.27 1.28 1.29 1.30
		PROCESS DOCUMENTATION: THIS PROCESS REQUIRES DEGREES OF METALLURGICAL AND/OR CHEMICAL CONTROL.																	1.50 1.51
		APPROVED BY: <i>James E. Pugh</i>																	1.53
		DATE: <i>9/1/77</i>																	1.55
1		STD 116	1977 PDM							ZEO5XXX									MODEL YEAR 1978
2		CAT. 1																	ORIGIN DATE
3		HYD. BRAKE																	LAST CHG DATE
4		FLUID																	LAST CHG CODE
5																			70 5 7 1
		F.M.V.S.S	REFERENCE							MODEL APPLICATION BRAKES (HYDRAULIC FLUID)									BR U. P. C. P PAGE



PRODUCT DESCRIPTION MANUAL

ASSEMBLY INFORMATION

GMT 1061 REV. 5/76

ITEM	PART OR TOOL DESCRIPTION	ADD'L DATA	QTY	PART NUMBER	ENGINE CODES	SERIES	PROY. BUNK	ITEM RESTRICTION	DEPARTMENTS		CHANGE		LOGIC CODE	FUNCTION CODE	ADDITIONAL CODES	LINE NOS.
									#1	2/STA	CD	AUTH				
	MVSS STD UPC-5	CAT. 3														1.8
	DUE CARE MUST BE EXERCISED DURING THE HYDRAULIC BRAKE SYSTEM TEST OPERATION. PRECAUTIONS MUST BE TAKEN TO KEEP ALL TOOLS AND EQUIPMENT USED IN THIS OPERATION CLEAN SO AS NOT TO CONTAMINATE THE HYDRAULIC BRAKE FLUID.															1.10
	MANDATORY HYDRAULIC BRAKE TEST PROCEDURE:															1.15
	STEP #1 - PLACE INSPECTION CARD ON PRINT OUT TRAY ON TEST UNIT.															1.17
	STEP #2 - POSITION TEST PROBE IN REAR COMPARTMENT OF BRAKE MASTER CYLINDER AND OPEN FLUID VALVE ON PROBE.															1.19
	STEP #3 - ATTACH TRAVEL CHAIN TO CHASSIS AND CONTINUITY CORD TO COMBINATION SWITCH MOUNTED ON LEFT HAND FRAME RAIL.															1.22
	STEP #4 - PUSH "CYCLE START" BUTTON ON PANEL. THIS STARTS AUTOMATIC TEST CYCLE - SYSTEM "IN TEST" LIGHT (YELLOW) COMES ON.															1.25
	STEP #5 - OBSERVE PRESSURE GAGE ON TEST UNIT. INDICATED PRESSURE SHOULD GO UP TO APPROXIMATELY 2000 PSI, THEN DROP DOWN TO 1800 PSI FOR LEVEL TESTING. IF THE "AIR REJECT" LIGHT ON UNIT COMES ON DURING THIS PHASE OF THE TEST CYCLE, THE PROBE SHOULD BE RESET IN THE MASTER CYLINDER AND TEST STARTED AGAIN ("AIR REJECT" ON FIRST TEST COULD BE A FALSE READING DUE TO BRAKE HOSES AND BRAKE SHOES EXPANDING). IF "SWITCH REJECT" LIGHT COMES ON DURING TEST, THE SWITCH MUST BE REPLACED AND THE SYSTEM REFILLED AND TESTED.															1.28
	STEP #6 - IF BRAKE SYSTEM IS O.K. - "NO REJECT" LIGHT WILL COME ON AND TEST UNIT WILL PUNCH "BRAKE TEST O.K." ON INSPECTION CARD. THE INSPECTOR WILL THEN USE HIS PUNCH OVER THE O.K. STAMP. IF THE TEST UNIT REJECTS THE BRAKE SYSTEM, THE INSPECTOR WILL WRITE THE TYPE OF REJECT ON THE INSPECTION CARD SO THAT PROPER CORRECTIVE REPAIR CAN BE MADE.															1.32
	STEP #7 - CHECK FOR PROPER AMOUNT OF BRAKE FLUID IN MASTER CYLINDER RESERVOIR.															1.33
																1.34
																1.35
																1.37
																1.38
																1.39
																1.40
																1.41
																1.42
																1.44
																1.45
																1.46
																1.48
																1.51
	PROCESS DOCUMENTATION: THIS PROCESS REQUIRES SPECIAL TRAINING OF OPERATORS FOR PROPER SEQUENCE OF OPERATIONS AND PROPER USE OF TOOLS.															1.52
	APPROVED BY: <i>James E. Rugh</i>															1.54
	DATE: <i>9/1/77</i>															1.56

1	UPC 5	1877 PDH	ZF05XXX	MODEL YEAR 1976
2	CAT. 3			ORIGIN DATE
3	HYD. BRAKES			LAST CHG. DATE
4				LAST CHG. CODE
5				70 5
P.M.V.B.B.	REFERENCE		UPC DESCRIPTION	BRK U. P. C.

PRODUCT DESCRIPTION MANUAL

ASSEMBLY INFORMATION

GMT 1061 REV. 6/78

GM TRUCK & COACH

ITEM	QTY	PART OR TOOL DESCRIPTION	ADD'L DATA	QTY	PART NUMBER	ENGINE CODES	SERIES	BODY BRK	ITEM RESTRICTION	DEPARTMENTS		CHANGE		LOGIC CODE	FUNCTION CODE	ADDITIONAL CODES	FNA	LINE NOS	
										#1	2/STA	CD	AUTH						
AA01C14		RR HUB/DRUM/BRK		*	16095					0752								1.0	
0010AA		SPINDLE RR AXLE		4	721507					0752	76			0000760090			M	1.17	
0020AA		BRAKE ASM RR LH			218001593					0752	76			0000760095			M	1.18	
0030AA		BRAKE ASM RR RH			218001594					0752	76			0000760100			M	1.21	
0040AA		BOLT RR AXLE		16	9420892					0752	76							1.23	
0050AA		WASHER BOLT		16	2436163					0752	76							1.23	
CC60AA		NUT 25:30 FT LBS		16	9422297					0752	76							1.27	
0070AA		HUB & DRUM ASM		4	721424					0752	76			0000760105			M	1.29	
										ZE06X00									
																		MODEL YEAR 1978	
																		ORIGIN DATE T70727	
																		LAST CHG. DATE	
																		LAST CHG. CODE	
																		70 58 A 1	
																		BK V. P. C. SM AGE	

F.M.V.B.B.

REFERENCE

MODEL APPLICATION
 REAR BRAKES
 UPC DESCRIPTION

L

ITEM	QTY	PART OR TOOL DESCRIPTION	ADD'L DATA	QTY	PART NUMBER	ENGINE CODES	SERIES	BODY	ITEM RESTRICTION	DEPARTMENTS		CHANGE		LOGIC CODE	FUNCTION CODE	ADDITIONAL CODES	LINE NOS.
										#1	2/STA	CD	AUTH				
0001AA		BRAKE CONTROL			13337					0782							99500 1.8
0010AA		PEDAL ASM BRAKE		1	2022287					0782	42	253100000	420100				M00100 1.15
0020AA		PAW BRK PEDAL		1	412665					0782	42		0000420105				M00130 1.17
0030AA		PLATE BRK PED		1	412664					0782	42		0000420110				M00450 1.19
0040AA		BRKT BRK PED		1	692328					0782	42		0000420115				M02300 1.21
0050AA		BRKT BRK PED		1	2022286					0782	42	253100000	420120				M02400 1.23
0060AA		BOLT BRKT		2	9418822					0782	42						02500 1.25
0070AA		BULT BRKT		1	126358					0782	42						02500 1.27
0080AA		WASHER BRKT		2	2436163					0782	42						02600 1.29
0090AA		WASHER BRKT		1	103320					0782	42						02600 1.31
0100AA		NUT BRKT		2	9422277					0782	42						02800 1.33
0100AB		15:20 FT LBS								0782	42						1.34
0110AA		NUT BRKT		1	9417954					0782	42						02800 1.36
0110AB		70:90 IN LBS								0782	42						1.37
0120AA		SHAFT BRK PED		1	692466					0782	42		0000420125				M02900 1.39
0130AA		BUSHING BRK PED		2	3769302					0782	42		0000420130				M03000 1.41
0140AA		WASHER BRK PED		2	103329					0782	42						04120 1.43
0150AA		BOLT BRK PED		2	9419097					0782	42						04220 1.45
0160AA		PIN BRK PED		1	138085					0782	42						04300 1.47
0170AA		WASHER BRK PED		2	9420022					0782	42						04400 1.49
0180AA		PIN BRK PED		1	103373					0782	42						04500 1.51

1																		
2																		
3																		
4																		
5																		
F.M.V.S.																		

ZE06X00

MODEL APPLICATION
SERV BRK PEDAL & CONN TO CYL
UPC DESCRIPTI

MODEL YEAR 1978
ORIGIN DATE 770727
LAST CHG. DATE 770913
LAST CHG. CODE 25310

70 5C A 1
BR U P C PAGE

PRODUCT DESCRIPTION MANUAL

ASSEMBLY INFORMATION

DMT 1061 REV. 8/78



ITEM	QTY	PART OR TOOL DESCRIPTION	ADD'L DATA	QTY	PART NUMBER	ENGINE CODES	SERIES	BOX BRK	ITEM RESTRICTION	DEPARTMENTS		CHANGE		LOGIC CODE	FUNCTION CODE	ADDITION CODES	LINE NOS.
										#1	2/8TA	CD	AUTH				
0170AA		BOLT GUIDE		4	9427321					0752	75						1.53
0180AA		WASHER GUIDE		4	2436163					0752	75						1.54
0190AA		NUT GUIDE		4	9422297					0752	75						1.55
0200AA		CLIP CBL SUPT		1	2399079					0782	50		0000	500045			1.56
0210AA		SCREW CLIP		1	9422404					0782	50						2.2
0220AA		CABLE ASM		1	691965		65			0752	77		0000	770060			2.4
0220AD		CABLE ASM		1	691966		60			0752	77		0000	770060			2.5
0230AA		EQUALIZER CAB RR		2	555180					0752	77		0000	770065			2.7
0240AA		NUT		4	9418892					0752	77						2.9
0250AA		CONN BRK CBL		2	537485					0752	77		0000	770070			2.11
0260AA		RET BRK CBL		4	3875092					0752	77		0000	770075			2.13
0270AA		CABLE ASM RR		2	1240558					0752	77		0000	770080			2.15
0280AA		CLIP PARK BRK		2	712715					0752	77		0000	770085			2.17
0290AA		STRAP PARK BRK		2	657558					0752	77		0000	770090			2.19
0300AA		BRKT PARK BRK		2	691945					0752	75		0000	750050			2.21
0310AA		CABLE ASM LMR		2	691963					0752	77		0000	770095			2.23
0320AA		BRKT CABLE		1	691943					0752	75		0000	750055			2.25
0330AA		BRKT CABLE		1	691944					0752	75		0000	750060			2.27
0340AA		BOLT CABLE		2	9420462					0752	75						2.29
0350AA		WASHER CABLE		4	2436163					0752	75						2.31
0360AA		NUT CABLE		2	9422297					0752	75						2.33
0370AA		NOTE: REFER TO UPC 28 FOR BRKT ATTACHING HOW.								0752	75						2.35

1 2 3 4 5 F.M.V.	ZE06X00										MODEL YEAR 1978			
											ORIGIN DATE 770727			
											LAST CHG. DATE			
											LAST CHG. CODE			
	REFERENCE										70 5F A 2 BK V. P. BRK PAGE			

MODEL APPLICATION
PARKING BRAKE MECHANISM
UPC DESCR: 1

PRODUCT DESCRIPTION MANUAL

ASSEMBLY INFORMATION

GMT 1061 REV. 8/78

GEN. TRUCK & COACH

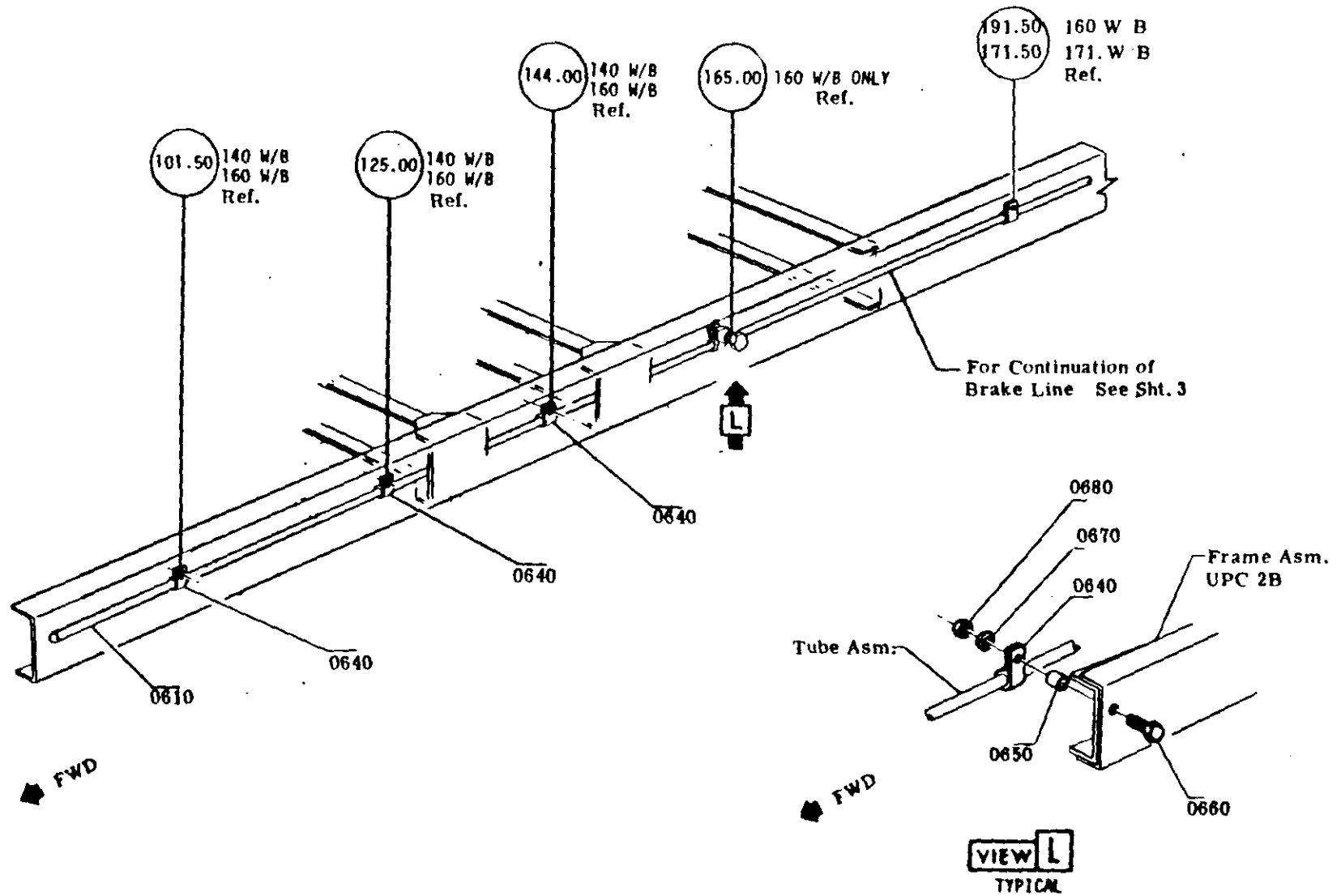
ITEM	QTY	PART OR TOOL DESCRIPTION	ADD'L DATA	QTY	PART NUMBER	ENGINE CODES	SERIES	BODY BKK	ITEM RESTRICTION	DEPARTMENTS		CHANGE		LOGIC CODE	FUNCTION CODE	ADDITIONAL CODES	PNA	LINE NOS
										#1	2/STA	CD	AUTH					
AA0014		BRAKE CONTRL		*	L3337					0782								1.8
AA02014		LOUS CHART		*	MD10298					0752								1.10
AA03014		BRAKE CONTRL		*	L3337					0754								1.12
AA04014		BRAKE CONTRL		*	L3337					0752								1.14
AA04014		BRAKE CONTRL		*	L3337					0702								1.16
DD00AA		CYLINDER ASM			116001514					0752	80			0000800080			M	1.20
DD02AA		FLUID HYD BKR		*	9985013					0752	81							1.22
DD03AA		WOT MAIN CYL		2	9422277					0754	87							1.24
DD04AA		ERRT MAIN CYL		1	702350					0782	42			0000420155			M	1.26
DD05AA		EDLY MAIN CYL		2	9418822					0782	42							1.28
DD06AA		WASHER MAIN CYL		2	103321					0782	42							1.30
DD07AA		WA LK		2	2436163					0782	42							1.32
DD08AA		PIVOT		2	2390854					0702	5							1.34

1 S D P M V S	7E06X00	MODEL YEAR 1978
	MODEL APPLICATION HYDRAULIC MASTER CYLINDER	ORIGIN DATE 770727
REFERENCE	UPC DESCRIPTI	LAST CHG. DATE 770927
		LAST CHG. CODE
		70 SE
		BK U. P. C.
		PAGE 1

PRODUCT DESCRIPTION MANUAL

ITEM REFERENCE
 PROCESS MATERIAL
 TORQUE
 PART OF OR EXISTING

GMT 922 1-73



DYNADE (Installation) - LBS	MAHD (Inspection) - LBS	DATE	SYM	REVISION	AUTH	BY	CR	DEPARTMENTS	78 TRUCK	BOOK 70
		6-28-77		ORIGINAL RELEASE	4-20-80	ST	PS		TITLE INTERMEDIATE LINE ROUTING	
									HYDRAULIC BRAKE LINES	SHEET 2

PRODUCT DESCRIPTION MANUAL

ASSEMBLY INFORMATION

JMT 1061 REV. 5/78

GRK TRUCK & COACH

ITEM	S E Q	P V S	PART OR TOOL DESCRIPTION	ADD'L DATA	Q T Y	PART NUMBER	ENGINE CODES	SERIES	DOY EPR	ITEM RESTRICTION	DEPARTMENTS		CHANGE		LOGIC CODE	FUNCTION CODE	ADDITIONAL CODES	FNA	LINE NOS
											ET	2/STA	CD	AUTH					
0150AA			NUT 95x145 IN LB		8	9422275					0752	76							1.59
0160AA			YOKE		4	334961					0752	76			0000760125		M		1.51
0170AA			TB ASM RR BRK		2	794495					0752	76			0000760130		M		1.59
0180AA			TB ASM RR BRK		2	794495					0752	76			0000760135		M		2.2
0190AA			CLIP		4	120520					0752	76			0000760140				2.4
0200AA			SCREW		4	9417267					0752	76							2.6
0210AA			NUT ASM		4	271166					0752	76							2.8
0220AA			TUBE ASM		1	698252					0752	80			0000800085	M	M		2.10
0230AA			TUBE ASM		1	698251					0752	80			0000800090	M	M		2.12
0240AA			CLIP		3	1463219					0752	80			0000800095		M		2.14
0250AA			CLIP		3	1230996					0752	80			0000800100		M		2.16
0260AA			SPCR @ RAD SUPT		1	2436832					0752	80			0000800105		M		2.18
0270AA			BOLT 20x25 FT LB		1	9419032					0752	80							2.20
0280AA			WA LK		1	103320					0752	80							2.22
0281AA			NOTE: ABOVE FASTENERS ALSO ATTACH							A/C COND SR MTG BRKT & OIL LEVEL IND. TUBE.	0752	80							2.24
0290AA			SCREW		2	9422232					0752	80							2.26
0300AA			VALVE BRK COMB		1	1236004					0752	67			0000670020		M		2.28
0310AA			BRACKET VALVE		1	409494					0752	67			0000670025		M		2.30
0320AA			SCR BRKT FRM		2	9422232					0752	67							2.32
0320AB			72 IN# MIN								0752	67							2.33
0330AA			BOLT VALVE		2	9419037					0752	67							2.35
0340AA			WASHER		2	9418304					0752	67							2.37
0350AA			NUT 8x12 FT#		2	9422275					0752	67							2.39
0400AA			TUBE VLV/UNION		1	718132					0752	67			0000670030		M		2.41

ZE06X00

MODEL YEAR 1978
ORIGIN DATE 770727
LAST CHG. DATE
LAST CHG. CODE

MODEL APPLICATION
BRAKE LINES HYDRAULIC
UPC DESCRIPTION

70 5F A 2
BK U. P. C. GRP PA

F.M.V.S.B.

REFERENCE

PRODUCT DESCRIPTION MANUAL

ASSEMBLY INFORMATION

MT 1081 REV. 8/78

ONE TRUCK & CRACK

ITEM	SEQ	P	M	TOP TOOL DESCRIPTION	ADD'L DATA	QTY	PART NUMBER	ENGINE CODES	SERIES	BOV BRK	ITEM RESTRICTION	DEPARTMENTS		CHANGE		LOGIC CODE	FUNCTION CODE	ADDITIONAL CODES	FNA	P/NOS
												#1	2/STA	CO	AUTH					
0405AA				UNION		1	442335					0752	67			0000670035				2.43
0410AA				CLIP		1	120520					0752	67			0000670040				2.45
0420AA				TUBE RH BRK		1	797709					0752	67			0000670045				2.47
0430AA				CLIP		5	1230969					0752	67			0000670050				2.49
0440AA				BRKT CLP FRM		2	2257785					0752	67			0000670055				2.51
0450AA				BOLT		3	9419004					0752	67							2.53
0460AA				WASHER		3	103319					0752	67							2.55
0470AA				NUT 95:120 IN#		3	9419912					0752	67							2.57
0480AA				SCREW		2	9422232					0752	67							2.59
0490AA				CLIP		1	1463219					0752	67			0000670060				3.2
0500AA				SPACE		2	3834560					0752	67			0000670065				3.4
0510AA				SCREW		2	9418901					0752	67							3.6
0600AA				TB RR @ VLV		1	693868					0752	78			0000780110				3.8
0610AA				TB RR INTER		1	660281		60			0752	78			0000780115				3.10
0610AB				TB RR INTER		1	668218		65			0752	78			0000780115				3.11
0620AA				UNION TP/TB		1	442336					0752	78			0000780120				3.13
0630AA				STRAP VAPOR LN		1	676543					0752	67			0000670070				3.15
0640AA				CLIP		4	1463219		60			0752	78			0000780125				3.17
0640AB				CLIP		5	1463219		65			0752	78							3.18
0650AA				SPACER		4	3834560		60			0752	78			0000780130				3.20
0650AB				SPACER		5	3834560		65			0752	78			0000780130				3.21
0660AA				BOLT		4	9419008		60			0752	78							3.23
0660AB				BOLT		5	9419008		65			0752	78							3.24
0670AA				WASHER		4	2436161		60			0752	78							3.26
0670AB				WASHER		5	2436161		65			0752	78							3.27
0680AA				NUT 60:90 IN#		4	9422273		60			0752	78							3.29
0680AB				NUT 60:90 IN#		5	9422273		65			0752	78							3.30

		ZE06X00	MODEL YEAR 1978
			ORIGIN DATE 770727
			LAST CHG. DATE
			LAST CHG. CODE
			70 5F A 3
			BK U. P. C. GMP DE

F.M.V.S.E.

REFERENCE

MODEL APPLICATION
BRAKE LINES HYDRAULIC
UPC DESCRIPTION

ITEM	QTY	PART OR TOOL DESCRIPTION	ADD'L DATA	QTY	PART NUMBER	ENGINE CODES	SERIES	BODY MARK	FILM RESTRICTION	DEPARTMENT #1	STATION	CHANGE ORDER	LOGIC CODE	FUNCTION CODE	ADDITIONAL CODES	QTY
0700AA	1	1B LH FRT HSE		1	791711					0752	70		0000700172			3.2
0710AA	1	1B INT RR BRK		1	793773					0752	70		0000700135			3.3
0720AA	1	UNION TBE/TBE		1	442336					0752	70		0000700140			3.4
0730AA	1	TEE ASM		1	350433					0752	70		0000700150			3.5
0740AA	2	BRACKET		2	790154					0752	70		0000700155			3.6
0750AA	4	BOLT		4	9437560					0752	70	61390				3.7
0760AA	4	WASHER		4	9418304					0752	70					3.8
0770AA	4	WASHER		4	103320					0752	70					3.9
0780AA	4	NUT 95:145 IN LB		4	9417954					0752	70					3.4
0790AA	1	CLIP		1	1463219					0752	70		0000700160			3.5
0800AA	2	SCREW		2	9422232					0752	70					3.5
0810AA	*	COMPOUND		*	9985115					0752	70					3.6
0820AA	1	TUBE ASM		1	794154					0752	70		0000700165			3.7
0830AA	1	TUBE ASM		1	794154					0752	70		0000700170			3.8
0840AA	1	CLIP		1	1463219					0752	70		0000700175			3.1
0850AA	1	PLT		1	9419032					0752	70					3.3
0860AA	1	SPACER		1	3834560					0752	70		0000700180			3.5
0870AA	1	WASHER		1	9418304					0752	70					3.4
0880AA	1	WASHER		1	103320					0752	70					3.9
0890AA	1	NUT 95:145 IN LB		1	9417954					0752	70					3.1
0900AA	1	CLIP		1	1230998					0752	70		0000700185			3.1

7E06X00

MODEL APPLICATION
 BRAKE LINES HYDRAULIC
 UPC DESCRIPTION

MODEL YEAR 1976
 ORIGIN DATE 170127
 LAST CHG DATE 111008
 LAST CHG CODE 61390
 70 5F A 4
 BR U P C PAGE

REFERENCE

ASSEMBLY INFORMATION

QTY	PART OR TOOL DESCRIPTION	ADD'L DATA	PART NUMBER	ENGINE CODES	SECT	BODY	ITEM RESTRICTION	PREPAREMENTS		CHARGE	LOGIC CODE	FUNCTION CODE	ADDITIONAL CODES	LIFE
								MT	22/A					
	J BRK LINES		16610					0782						1.0
	BRAKE CONTROL		1333					0782						1.1
	HEAD ASM PWR		116002719					0782	62		000620170			1.1
	NOT HEAD ASM		9437756					0782	52	01290				1.3
	WALK		103321					0782	42					1.2
	WASHER		9421042					0782	42					1.2
	GASKET PWR HD		9791640					0782	42		000620175			1.2
	HOSE ENG VAC		724548					0782	42		000620170			1.2
	CLAMP VAC HSE		2468869					0782	42		000620175			1.2
	CLIP VAC HSE		2301878					0712	50		0006500050			1.3
	SCR VAC HS CLIP		431915					0782	40					1.2
	WASHER		111015					0782	50					1.3
	DOWN LINE/CARB		55214					0782	50		0006500050			1.3

1 2 3 4 5 6 7 8 9 10 11 12 13 14 15 16 17 18 19 20 21 22 23 24 25 26 27 28 29 30 31 32 33 34 35 36 37 38 39 40 41 42 43 44 45 46 47 48 49 50 51 52 53 54 55	2E06X00										MODEL YEAR 1970			
											ORIGIN DATE 770727			
											LAST CHG DATE 771008			
											LAST CHG CODE 01290			
										70 56 A 1				
										BR U P C GM PAGE				

MODEL APPLICATION
POWER BRAKE MECHANISM/HYD & VAC
UPC DESCRIPTION

ITEM	E G	PART OR TOOL DESCRIPTION	ADD'L DATA	Q T Y	PART NUMBER	M O D	ENGINE CODES	SERIES	BOX BRK	ITEM RESTRICTION	DEPARTMENTS		CHANGE		LOGIC CODE	FUNCTION CODE	ADDITIONAL CODES	LINE NOS	
											#1	2/STA	CD	AUTH					
		MVSS EMISSION CONTROL			CAT. 2														1.8
		DUE CARE MUST BE EXERCISED WHEN INSTALLING EMISSION CONTROL EQUIPMENT AND/OR RELATED DEVICES TO ENGINE SO THAT COMPLETED VEHICLE CAN BE CERTIFIED AS BEING IN CONFORMITY WITH FEDERAL REGULATIONS IMPLEMENTING THE CLEAN AIR ACT. LISTED BELOW ARE THE COMPONENTS AFFECTING EMISSIONS PERFORMANCE OF ENGINES.																	1.10
		VACUUM HOSES AND CLAMPS																	1.11
		POSITIVE CRANKCASE VENTILATION SYSTEM																	1.12
		VENTILATION VALVE																	1.13
		VENTILATION AIR INLET HOSE																	1.14
		CRANKCASE BREATHER																	1.15
		CARBURETOR																	1.20
		CHOKE																	1.21
		A.I.R. SYSTEM																	1.22
		AIR PUMP																	1.23
		AIR PUMP PULLEY																	1.24
		AIR PUMP SUPPORT BRACKET																	1.25
		AIR PUMP DRIVE BELT																	1.26
		DIVERTER VALVE																	1.27
		VACUUM SWITCH VALVE																	1.28
		CHECK VALVE																	1.29
		AIR DISTRIBUTION MANIFOLD																	1.30
		AIR INJECTOR TUBES																	1.31
		DISTRIBUTION HOSES																	1.32
		DISTRIBUTION HOSE TEE																	1.33
		EXHAUST MANIFOLD																	1.34
		VALVES, ENGINE																	1.35
		DISTRIBUTOR ASSEMBLY																	1.36
		SPARK CONTROL SYSTEM																	1.37
		SPARK PLUGS																	1.38
		AIR CLEANER SYSTEM																	1.39
		SPARK PLUG WIRING																	1.40
		TRANSMISSION CONTROL THROTTLE ADVANCE SYSTEM																	1.41
		CLAMPS - FUEL AND VENT CONNECTING HOSES.																	1.42
		HOSES - EVAPORATIVE CONTROL SYSTEM																	1.43
		EXHAUST GAS RECIRCULATION SYSTEM																	1.44
		EGR VALVE																	1.45
		INTAKE MANIFOLD																	1.46
		CANISTER (CARBON)																	1.47
		PROCESS DOCUMENTATION:																	1.51
		THIS PROCESS UTILIZES STANDARD TOOLS AND EQUIPMENT OF WHICH THE CAPABILITIES ARE WELL ESTABLISHED.																	1.52
		APPROVED BY: <i>James E. Long</i>																	1.54
		DATE: <i>9/1/77</i>																	1.55

1	FEDERAL CLEAN	1977 POM	ZE05XXX	MODEL YEAR 1978
2	AIR ACT			ORIGIN DATE
3	CAT. 2			LAST CHG. DATE
4	EMISSION			LAST CHG. CODE
5	CONTROL			70 6 1
F.M.V.S.S.	REFERENCE		MODEL APPLICATION ENGINE (EMISSION CONTROL)	BE U. P. C. PAGE

PRODUCT DESCRIPTION MANUAL ASSEMBLY INFORMATION

ITEM	SECTION	PART OR TOOL DESCRIPTION	ADD'L DATA	QTY	PART NUMBER	ENGINE CODES	SERIES	BOX BRK	ITEM RESTRICTION	DEPARTMENTS		CHANGE		LOGIC CODE	FUNCTION CODE	ADDITIONAL CODES	LINE NOS.	
										#1	2/STA	CD	AUTH					
		AVSS STD. UPC 6K1 CAT. 3 (FAN AND DRIVE)															1.0	
		DUE CARE MUST BE EXERCISED IN THE SUB ASSEMBLY OF FAN BLADE AND FAN CLUTCH ASM. TO THE ENGINE. SPECIFIED TORQUE OF HOLD DOWN STOCK MUST BE MAINTAINED SO THAT FAN WILL NOT BECOME LOOSE OR VIBRATE.															1.11	
		NOTE: THE RADIATOR FAN SHROUD MUST BE SO LOCATED THAT THE DISTANCE BETWEEN TIP OF FAN BLADE AND RING IS UNIFORM. CARE MUST BE TAKEN THAT FAN BLADE DOES NOT STRIKE FAN SHROUD.															1.12	
		PROCESS DOCUMENTATION															1.48	
		THIS PROCESS UTILIZES STANDARD TOOLS AND EQUIPMENT OF WHICH THE CAPABILITIES ARE WELL ESTABLISHED.															1.49	
		APPROVED BY:	<i>James E. Rugh</i>														1.51	
		DATE:	10/12/77														1.53	
		UPC 6 CAT. 3 FAN & DRIVE	AVSS STD.						ZEUSXXX						MODEL YEAR 1978 ORIGIN DATE 10-10-77 LAST CHG DATE LAST CHG CODE 70 6 52 1 BK U. P. C. C PAGE			
			REFERENCE						MODEL APPLICATION ENGINE (FAN & DRIVE) UPC DESCRIPTION									



GMT 922 8/74

UPC 6N2 THROT. CONT. ACCEL. PED. OPER.

Sht. #:	Title
1	Accel. Throt. & Hand Choke
2	Throttle Control
3	Pedal
4	Accel. Cable
5	Down Shift Switch Adjustment
6	Accel. Cable Clip
7	Accel. Cable to Carb.

UPC 6N4 SPEED CONTROL

1	Transducer & Hoses RPO K30
2	Column Lever Valve & Hose RPO K30
3	Transducer & Hose Routing RPO K30
4	Power Unit & Linkage RPO K30

UPC 6Q POWER PLANT TO FRAME MOUNTING

1	Front & Rear Mounting
---	-----------------------

UPC 6T AIR COMPRESSOR

1	Air Compressor
---	----------------

UPC 6Y1 GEN. CURRENT & VOLTAGE REG.

1	Generator
2	Generator
3	Generator W/L04

UPC 6Y2 STARTING DEVICES

1	Starter & Starting Cable Routing
2	Cable - Starter to Magnetic Switch

UPC 6Y3 DISTRIBUTOR

1	Hose - Thermal Vacuum Switch to Carb. & Distr.
2	Hose - Thermal Vacuum Switch to Carb. & Distr. W/NB4

UPC 6Y4 IGNITION WIRING

1	Ignition Wiring		
2	Engine Ground & Magnetic Switch Asm.	6N2-7	(AUDIT) 6Y1-3
		6N4-4	6Y2-2
		6Q-1	6Y3-2
		6T-1	6Y4-2

BY/CHK (Installation) - LPS	DATE	SYN	REVISION	AUTH	DR	CR	DEPARTMENTS	78 TRUCK	BOOK 70
	7-19-37		ORIGINAL RELEASE	ALDO	RT		R. THOMPSON	INDEX	
								ENGINE	6

PRODUCT DESCRIPTION MANUAL

ASSEMBLY INFORMATION

GMT 1081 REV. 6/78

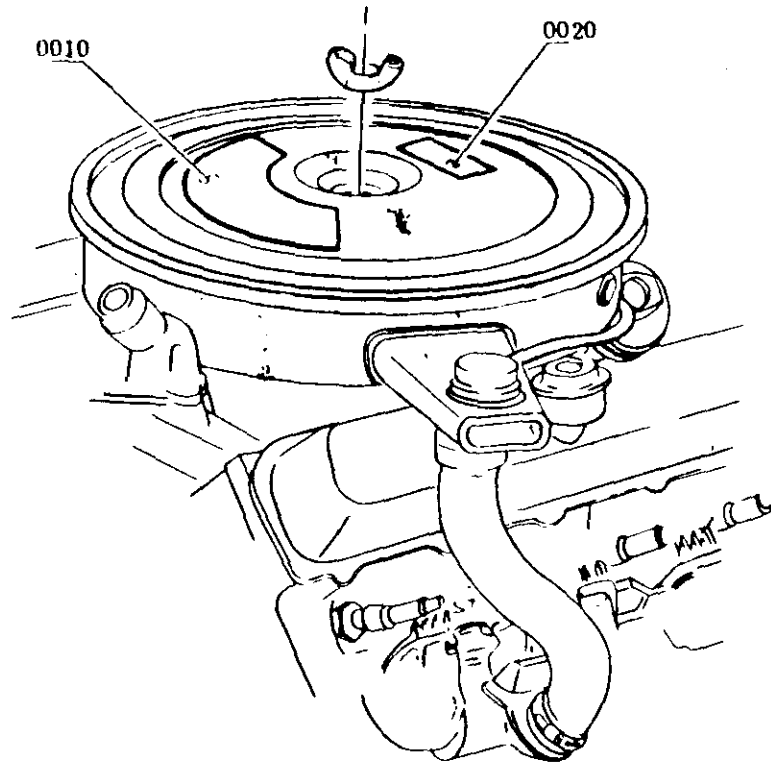
GMC TRUCK & COACH

ITEM	S E Q	P A R T	ART OR TOOL DESCRIPTION	ADD'L DATA	Q T Y	P A R T N O	ENGINE CODES	SERIES	BOY BANK	ITEM RESTRICTION	DEPARTMENTS		CHANGE		LOGIC CODE	FUNCTION CODE	ADDITIONAL CODES	FNA	LINE NOB.
											01	2/STA	CD	AUTH					
AAC14			ENG UPR INSTAL		*	18509					0752								1.8
0020AA			ENG 403 CID		1	561032				-NB4	0752	61			3916610050			M	1.17
0020AC			ENG 403 CID		1	561032				NB4	0752	61			3917610050			M	1.18

F.M.V.B.E.	REFERENCE	ZE06X00	MODEL YEAR 1978
		MODEL APPLICATION	ORIGIN DATE 770727
		ENGINE	LAST CHG. DATE
		UPC DESCRIPTION	LAST CHG. CODE
			70 6 A
			BK U. P. C. GMP 28

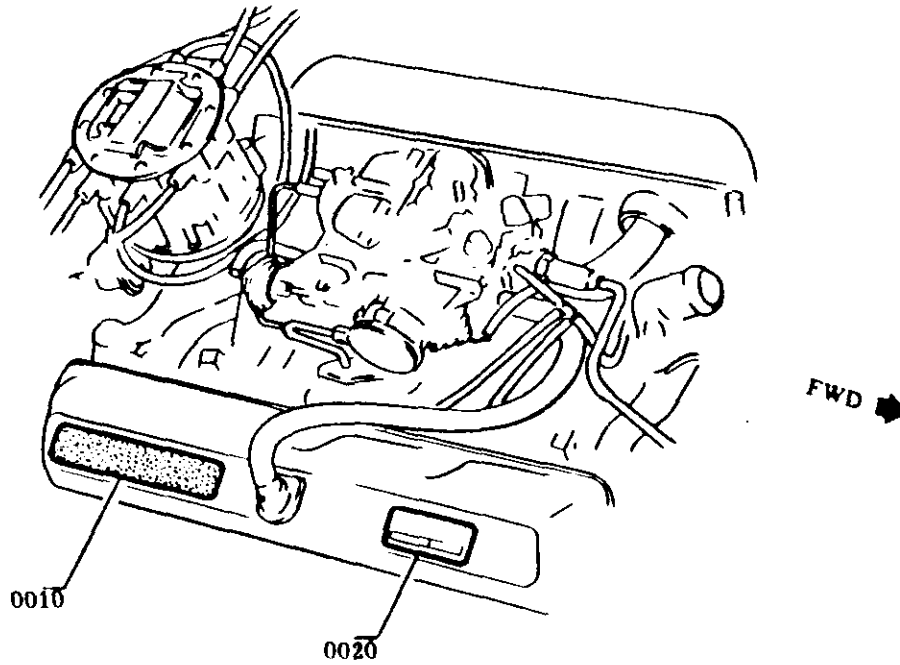


GMI 522 1/73



BY (Manufacturer) - LPS	BY (Inspector) - LPS	DATE	SYM	REVISION	AUTH	DR	EN	DEPARTMENTS	'78 TRUCK	BOOK 70	
				CHANGE TO 0010	4/20/73				TITLE		
				REVISION 2, 0010, 0020, 0030, 0040, 0050, 0060, 0070, 0080, 0090, 0100, 0110, 0120, 0130, 0140, 0150, 0160, 0170, 0180, 0190, 0200, 0210, 0220, 0230, 0240, 0250, 0260, 0270, 0280, 0290, 0300, 0310, 0320, 0330, 0340, 0350, 0360, 0370, 0380, 0390, 0400, 0410, 0420, 0430, 0440, 0450, 0460, 0470, 0480, 0490, 0500, 0510, 0520, 0530, 0540, 0550, 0560, 0570, 0580, 0590, 0600, 0610, 0620, 0630, 0640, 0650, 0660, 0670, 0680, 0690, 0700, 0710, 0720, 0730, 0740, 0750, 0760, 0770, 0780, 0790, 0800, 0810, 0820, 0830, 0840, 0850, 0860, 0870, 0880, 0890, 0900, 0910, 0920, 0930, 0940, 0950, 0960, 0970, 0980, 0990, 1000, 1010, 1020, 1030, 1040, 1050, 1060, 1070, 1080, 1090, 1100, 1110, 1120, 1130, 1140, 1150, 1160, 1170, 1180, 1190, 1200, 1210, 1220, 1230, 1240, 1250, 1260, 1270, 1280, 1290, 1300, 1310, 1320, 1330, 1340, 1350, 1360, 1370, 1380, 1390, 1400, 1410, 1420, 1430, 1440, 1450, 1460, 1470, 1480, 1490, 1500, 1510, 1520, 1530, 1540, 1550, 1560, 1570, 1580, 1590, 1600, 1610, 1620, 1630, 1640, 1650, 1660, 1670, 1680, 1690, 1700, 1710, 1720, 1730, 1740, 1750, 1760, 1770, 1780, 1790, 1800, 1810, 1820, 1830, 1840, 1850, 1860, 1870, 1880, 1890, 1900, 1910, 1920, 1930, 1940, 1950, 1960, 1970, 1980, 1990, 2000, 2010, 2020, 2030, 2040, 2050, 2060, 2070, 2080, 2090, 2100, 2110, 2120, 2130, 2140, 2150, 2160, 2170, 2180, 2190, 2200, 2210, 2220, 2230, 2240, 2250, 2260, 2270, 2280, 2290, 2300, 2310, 2320, 2330, 2340, 2350, 2360, 2370, 2380, 2390, 2400, 2410, 2420, 2430, 2440, 2450, 2460, 2470, 2480, 2490, 2500, 2510, 2520, 2530, 2540, 2550, 2560, 2570, 2580, 2590, 2600, 2610, 2620, 2630, 2640, 2650, 2660, 2670, 2680, 2690, 2700, 2710, 2720, 2730, 2740, 2750, 2760, 2770, 2780, 2790, 2800, 2810, 2820, 2830, 2840, 2850, 2860, 2870, 2880, 2890, 2900, 2910, 2920, 2930, 2940, 2950, 2960, 2970, 2980, 2990, 3000, 3010, 3020, 3030, 3040, 3050, 3060, 3070, 3080, 3090, 3100, 3110, 3120, 3130, 3140, 3150, 3160, 3170, 3180, 3190, 3200, 3210, 3220, 3230, 3240, 3250, 3260, 3270, 3280, 3290, 3300, 3310, 3320, 3330, 3340, 3350, 3360, 3370, 3380, 3390, 3400, 3410, 3420, 3430, 3440, 3450, 3460, 3470, 3480, 3490, 3500, 3510, 3520, 3530, 3540, 3550, 3560, 3570, 3580, 3590, 3600, 3610, 3620, 3630, 3640, 3650, 3660, 3670, 3680, 3690, 3700, 3710, 3720, 3730, 3740, 3750, 3760, 3770, 3780, 3790, 3800, 3810, 3820, 3830, 3840, 3850, 3860, 3870, 3880, 3890, 3900, 3910, 3920, 3930, 3940, 3950, 3960, 3970, 3980, 3990, 4000, 4010, 4020, 4030, 4040, 4050, 4060, 4070, 4080, 4090, 4100, 4110, 4120, 4130, 4140, 4150, 4160, 4170, 4180, 4190, 4200, 4210, 4220, 4230, 4240, 4250, 4260, 4270, 4280, 4290, 4300, 4310, 4320, 4330, 4340, 4350, 4360, 4370, 4380, 4390, 4400, 4410, 4420, 4430, 4440, 4450, 4460, 4470, 4480, 4490, 4500, 4510, 4520, 4530, 4540, 4550, 4560, 4570, 4580, 4590, 4600, 4610, 4620, 4630, 4640, 4650, 4660, 4670, 4680, 4690, 4700, 4710, 4720, 4730, 4740, 4750, 4760, 4770, 4780, 4790, 4800, 4810, 4820, 4830, 4840, 4850, 4860, 4870, 4880, 4890, 4900, 4910, 4920, 4930, 4940, 4950, 4960, 4970, 4980, 4990, 5000, 5010, 5020, 5030, 5040, 5050, 5060, 5070, 5080, 5090, 5100, 5110, 5120, 5130, 5140, 5150, 5160, 5170, 5180, 5190, 5200, 5210, 5220, 5230, 5240, 5250, 5260, 5270, 5280, 5290, 5300, 5310, 5320, 5330, 5340, 5350, 5360, 5370, 5380, 5390, 5400, 5410, 5420, 5430, 5440, 5450, 5460, 5470, 5480, 5490, 5500, 5510, 5520, 5530, 5540, 5550, 5560, 5570, 5580, 5590, 5600, 5610, 5620, 5630, 5640, 5650, 5660, 5670, 5680, 5690, 5700, 5710, 5720, 5730, 5740, 5750, 5760, 5770, 5780, 5790, 5800, 5810, 5820, 5830, 5840, 5850, 5860, 5870, 5880, 5890, 5900, 5910, 5920, 5930, 5940, 5950, 5960, 5970, 5980, 5990, 6000, 6010, 6020, 6030, 6040, 6050, 6060, 6070, 6080, 6090, 6100, 6110, 6120, 6130, 6140, 6150, 6160, 6170, 6180, 6190, 6200, 6210, 6220, 6230, 6240, 6250, 6260, 6270, 6280, 6290, 6300, 6310, 6320, 6330, 6340, 6350, 6360, 6370, 6380, 6390, 6400, 6410, 6420, 6430, 6440, 6450, 6460, 6470, 6480, 6490, 6500, 6510, 6520, 6530, 6540, 6550, 6560, 6570, 6580, 6590, 6600, 6610, 6620, 6630, 6640, 6650, 6660, 6670, 6680, 6690, 6700, 6710, 6720, 6730, 6740, 6750, 6760, 6770, 6780, 6790, 6800, 6810, 6820, 6830, 6840, 6850, 6860, 6870, 6880, 6890, 6900, 6910, 6920, 6930, 6940, 6950, 6960, 6970, 6980, 6990, 7000, 7010, 7020, 7030, 7040, 7050, 7060, 7070, 7080, 7090, 7100, 7110, 7120, 7130, 7140, 7150, 7160, 7170, 7180, 7190, 7200, 7210, 7220, 7230, 7240, 7250, 7260, 7270, 7280, 7290, 7300, 7310, 7320, 7330, 7340, 7350, 7360, 7370, 7380, 7390, 7400, 7410, 7420, 7430, 7440, 7450, 7460, 7470, 7480, 7490, 7500, 7510, 7520, 7530, 7540, 7550, 7560, 7570, 7580, 7590, 7600, 7610, 7620, 7630, 7640, 7650, 7660, 7670, 7680, 7690, 7700, 7710, 7720, 7730, 7740, 7750, 7760, 7770, 7780, 7790, 7800, 7810, 7820, 7830, 7840, 7850, 7860, 7870, 7880, 7890, 7900, 7910, 7920, 7930, 7940, 7950, 7960, 7970, 7980, 7990, 8000, 8010, 8020, 8030, 8040, 8050, 8060, 8070, 8080, 8090, 8100, 8110, 8120, 8130, 8140, 8150, 8160, 8170, 8180, 8190, 8200, 8210, 8220, 8230, 8240, 8250, 8260, 8270, 8280, 8290, 8300, 8310, 8320, 8330, 8340, 8350, 8360, 8370, 8380, 8390, 8400, 8410, 8420, 8430, 8440, 8450, 8460, 8470, 8480, 8490, 8500, 8510, 8520, 8530, 8540, 8550, 8560, 8570, 8580, 8590, 8600, 8610, 8620, 8630, 8640, 8650, 8660, 8670, 8680, 8690, 8700, 8710, 8720, 8730, 8740, 8750, 8760, 8770, 8780, 8790, 8800, 8810, 8820, 8830, 8840, 8850, 8860, 8870, 8880, 8890, 8900, 8910, 8920, 8930, 8940, 8950, 8960, 8970, 8980, 8990, 9000, 9010, 9020, 9030, 9040, 9050, 9060, 9070, 9080, 9090, 9100, 9110, 9120, 9130, 9140, 9150, 9160, 9170, 9180, 9190, 9200, 9210, 9220, 9230, 9240, 9250, 9260, 9270, 9280, 9290, 9300, 9310, 9320, 9330, 9340, 9350, 9360, 9370, 9380, 9390, 9400, 9410, 9420, 9430, 9440, 9450, 9460, 9470, 9480, 9490, 9500, 9510, 9520, 9530, 9540, 9550, 9560, 9570, 9580, 9590, 9600, 9610, 9620, 9630, 9640, 9650, 9660, 9670, 9680, 9690, 9700, 9710, 9720, 9730, 9740, 9750, 9760, 9770, 9780, 9790, 9800, 9810, 9820, 9830, 9840, 9850, 9860, 9870, 9880, 9890, 9900, 9910, 9920, 9930, 9940, 9950, 9960, 9970, 9980, 9990, 10000							
									NAME AIR CLEANER & SILENCER	DIVISION/PC 68	SHEET 1

GMT 922 8/74



DYNAMIC (Installation) - LBS	HARD (Inspection) - LBS	DATE	SYM	REVISION	AUTH	DR	EX	DEPARTMENTS	78 TRUCK	BOOK 70
	△ △ △ △ △	6/577		ORIGINAL RELEASE	47000/PS				TITLE EMISSION CERTIFICATE LABEL	
									NAME ENG. IDENT LABELS & DECALS	DIVISION/LPC 6B
										SHEET 1



PRODUCT DESCRIPTION MANUAL

ASSEMBLY INFORMATION

ITEM	PART OR TOOL DESCRIPTION	ADD'L DATA	QTY	PART NUMBER	ENGINE CODES	SERIES	REV	ITEM RESTRICTION	DEPARTMENTS		CHANGE		LOGIC CODE	FUNCTION CODE	ADDITION CODES	NA	LINE NOB
									#1	2/8TA	CD	AUTH					
0001AA	EMIS LABEL INST			L8204					0752								1.0
0020AA	EMIS CERT LABEL			2025165				-NB4	0752	62			3918620005				1.15
0020AC	EMIS CERT LABEL			2025164				NB4	0752	62			3917620005				1.16
0030AA	EMIS CONT LABEL			561114				-NB4	0752	62			3918620010				1.18
0030AC	EMIS CONT LABEL			561115				NB4	0752	62			3917620010				1.19

MODEL APPLICATION ENGINE I.D. LABELS & DECALS		MODEL YEAR IN 78 ORIGIN DATE 770727 LAST CHG. DATE LAST CHG. CODE
2405000		TO 68 A 1 OF 1000

PRODUCT DESCRIPTION MANUAL

ASSEMBLY INFORMATION

GMT 1061 REV. 8/78

GM TRUCK & COACH

ITEM	S E Q	P N	PART OR TOOL DESCRIPTION	ADD'L DATA	Q T Y	PART NUMBER	M O D	ENGINE CODES	SERIES	DOY BRK	ITEM RESTRICTION	DEPARTMENTS		CHANGE		LOGIC CODE	FUNCTION CODE	ADDITIONAL CODES	LINE NOS
												F1	2/STA	CD	AUTH				
AA11	1.1		405 ENG ALSRY		6	L8448						0782							1.8
AA21	1.2		INSTL									0782							1.9
AA40	1.1		405 ENG ACSRY		*	L8448						0752							1.11
AA41	1.2		INSTL									0752							1.12
CC10	AA		CAP ASM OIL FIL		1	409076						0782	45			0000450035			1.17
CC20	AA		TUBE ASM		1	701948						0782	45			0000450040			1.19
CC30	AA		BRKT TUBE MTG		1	701972						0782	45			0000450045			1.21
CC40	AA		RIVLT		2	700368						0782	45						1.23
CC50	AA		SCREW		2	9414721						0782	45						1.25
CC60	AA		BLEW OIL FIL		1	702202						0752	63			0000630135			1.27
CC70	AA		CLAMP ASM		1	2471945						0752	63			0000630140			1.29
CC80	AA		TUBE OIL FIL		1	702550						0752	63			0000630145			1.31
CC90	AA		CLAMP ASM		1	2486394						0752	63			0000630150			1.33
CI10	AA		BRACKET		1	653296						0752	68			0000680040			1.35
CI20	AA		SOLE BRKT		1	9418967						0752	68						1.37
CI30	AA		WA LK		1	103321						0752	68						1.39
CI40	AA		CLIP TUBE BRKT		1	427043						0752	66			0000680045			1.41
CI50	AA		SOLE CLIP BRKT		1	9417950						0752	68						1.43
CI60	AA		WA LK		1	103320						0752	68						1.45
CI70	AA		NUT		1	9417954						0752	66						1.47
CI80	AA		BLEW		1	702202						0752	63			0000630155			1.49
CI90	AA		CLAMP		1	2486394						0752	63			0000630160			1.51
C100	AA		CLAMP		1	2471945						0752	63			0000630165			1.53

		ZE06X00	MODEL YEAR 1978 ORIGIN DATE 770727 LAST CHG. DATE 770927 LAST CHG. CODE
P.M.V.S.S.	REFERENCE	MODEL APPLICATION OIL FILLER UPC DESCRIPT	70 662 A 1 BK U. P. C. PAGE



PRODUCT DESCRIPTION MANUAL

ASSEMBLY INFORMATION

GMT 1061 REV. 5/75

GM TRUCK & COACH

ITEM	S E G	P M R	PART OR TOOL DESCRIPTION	ADD'L DATA	Q T Y	P A R T N U M B E R	E N G I N E C O D E S	S E R I E S	B O Y B R K	I T E M R E S T R I C T I O N	D E P A R T M E N T S		C H A N G E		L O G I C C O D E	F U N C T I O N C O D E	A D D I T I O N A L C O D E S	P N A	L I N E N O S	
											#1	2/STA	CD	AUTH						
AA01014			403 ENG ACSRY		*	18448					0752									1.8
AA01024			INSTI								0752									1.9
0010AA			INDICATOR ASM		1	718401					0752	68			0000680050				M	1.19
0020AA			TUBE OIL LVL		1	718412					0752	68			0000680055				M	1.21
0030AA			CLIP OIL LVL		1	718402					0752	69			0000690070				M	1.23
0040AA			UNION OIL LVL		1	318477					0752	68			0000680060				M	1.25

F.M.V.S.S.	REFERENCE	ZE06X00	MODEL YEAR 1978
		MODEL APPLICATION OIL LEVEL INDICATOR	ORIGIN DATE 770727
		UFC DESCRIPTION	LAST CHG. DATE
			LAST CHG. CODE
			70 6G4 A 1
			BK U. P. C. QM ABS

ITEM	SEQ	PVS	ITEM OR TOOL DESCRIPTION	ADD'L DATA	QTY	PART NUMBER	ENGINE CODES	SERIES	BODY	ITEM DESCRIPTION	DEPARTMENTS		CHANGE		LOGIC CODE	FUNCTION CODE	ADDITIONAL CODES	FN.	WE NOS.
											#1	2/STA	CD	AUTH					
AA01014			403 ENG ACSRY		*	L8448					0752								1.8
AA01024			INSTL								0752								1.9
AA02014			PIPE THD TEFLON		*	MD1903					0752								1.11
AA02024			TAPE								0752								1.12
DC10AA			TUBE FLTR TO RAD		1	719292					0752	61			0000610055			M	1.17
DC20AA			TUBE RAD TO FLTR		1	719293					0752	61			0000610060			M	1.19
DC30AA			SCR CLR TBE		2	9411890					0752	61							1.21
DC40AA			WA		2	9419892					0752	61							1.23
DC50AA			FITTING		2	2387408					0752	61			0000610065			M	1.25
DC60AA			GASKET ADAPT		1	6436950					0752	61			0000610070			M	1.27
DC70AA			ADAPTER		1	2015464					0752	61			0000610075			M	1.29
DC80AA			FITTING EXIT		1	692943					0752	61			0000610080			M	1.31
DC90AA			TAPE TEFLCN		*	8860239					0752	61							1.33

F.M.V.S.S.	REFERENCE	ZE06X00	MODEL YEAR 1978
		MODEL APPLICATION OIL FILTER	ORIGIN DATE 770727
		UPC DESCRIPTION	LAST CHG. DATE
			LAST CHG. CODE
			70 665 A 1
			SK U. P. C. GMP I

PRODUCT DESCRIPTION MANUAL

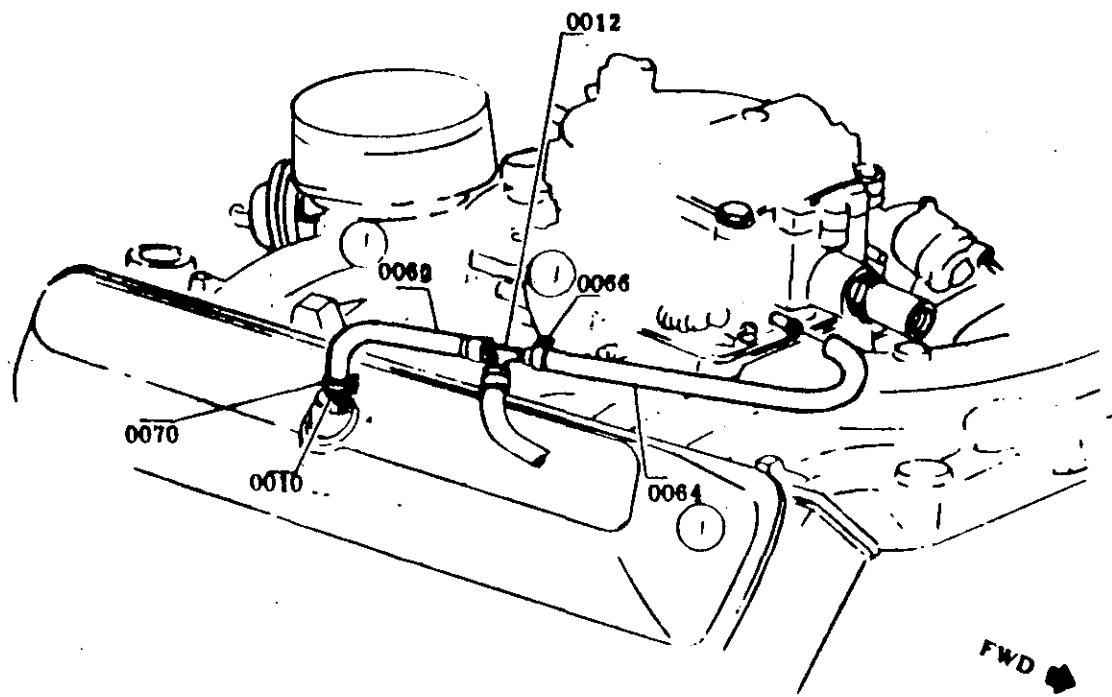
ASSEMBLY INFORMATION

ITEM NO.	PART OR TOOL DESCRIPTION	ADD'L DATA	QTY	PART NUMBER	ENGINE CODES	SERIES	DOY BRK	ITEM RESTRICTION	DEPARTMENTS		CHANGE AUTH	LOGIC CODE	FUNCTION CODE	ADDITIONAL CODES	LINE NOS
									#1	2:STA					
240101	LUB CHAFI			MD10298					0752						1.8
0011AA	ENGINE OIL	SEP-FEB	*	8860620				SEPT THRU FEB	0752	74		0000740010			1.18
0012AA	ENGINE OIL	MAR-AUG	*	8860621				MAR THRU AUG	0752	74		0000740015			1.20

1 MVBS	REFERENCE	2E06X00	MODEL YEAR 1978
		MODEL APPLICATION ENGINE OIL UPC DESCRIPTION	ORIGIN DATE 770727 LAST CHG. DATE 770927 LAST CHG. CODE 70 667 1 BE M. P. S. PAGE



GMT 922 1-73



DYNAMIC (Installation) - LPS		NAAB (Inspection) - LPS		DATE	SYM	REVISION	AMTR	DR	CK	DEPARTMENTS	#78 TRUCK	BOOK 70
<input type="checkbox"/> <input type="checkbox"/> <input type="checkbox"/> <input type="checkbox"/> <input type="checkbox"/>				6/13/77		ORIGINAL RELEASE	2700	25	25		TITLE	
				7/1/77	1	UTS HAS 0012, 0062, 0064, 0066, 0068, 0084	2743	10	10		PCV VALVE ASM. W NA9 & NB4	
											NAME	
											ENG. VENT SYSTEM	
											QUANTITY	64
											SHEET	2

PRODUCT DESCRIPTION MANUAL

ASSEMBLY INFORMATION

GMT 1081 REV. 8/78



ITEM	QTY	PART OR TOOL DESCRIPTION	ADD'L DATA	QTY	PART NUMBER	ENGINE CODES	SERIES	DOY BRN	ITEM RESTRICTION	DEPARTMENTS		CHANGE		LOGIC CODE	FUNCTION CODE	ADDITIONAL CODES	LINE NOS	
										#1	2/STA	CD	AUTH					
AA01014		AIR COMP START			LR809					0752							99508	1.0
AA01024		MTP								0752								1.9
AA01014		ENG INSTL			LR448					0752							99515	1.11
0010AA		VALVE ASM		1	642492					0752	62			0000620025			M00200	1.14
0012AA		TEE,C-CASE WNT		1	406511			N84		0752	62			3917620365	M		00600	1.16
0020AA		GRMNET		1	416519					0752	62						03100	1.16
0030AA		PP VENT-A/CL		1	555764					0752	62			0000620030			M03200	1.20
0040AA		ELBOW		1	391095					0752	62			0000620035			M03300	1.22
0050AA		RUN			998505					0752	62						03400	1.24
0060AA		HOSE,VLV-CARB		1	392995			NA9		0752	62			037437005620040	M		03500	1.26
0062AA		HOSE,VLV-TEF		1	9432904			NA9		0752	62			037436909620350	M		03520	1.28
0064AA		HOSE,TEE-CARB		1	9432888			NA9		0752	62			037436909620355	M		03530	1.30
0068AA		CLAMP,PCV HS		2	3829058			NA9		0752	62			037436909620360	M		03540	1.32
0070AA		CLAMP		1	3829058					0752	62			0000620045			M03600	1.34
0080AA		FILTER ASM		1	557240					0752	62			0000620050			M03700	1.36

REV	7E06X00	MODEL YEAR 1978
	MODEL APPLICATION ENGINE VENTILATING SYSTEM	ORIGIN DATE 770727
REV	UPC DESCRIPTION	LAST CHG DATE 770920
REV		LAST CHG CODE 743
REV		70 6H A 1
REV		BR Y P C PAGE

REV

REFERENCE

UPC DESCRIPTION

BR Y P C PAGE

PRODUCT DESCRIPTION MANUAL

ASSEMBLY INFORMATION

DMT 1061 REV. 5/78

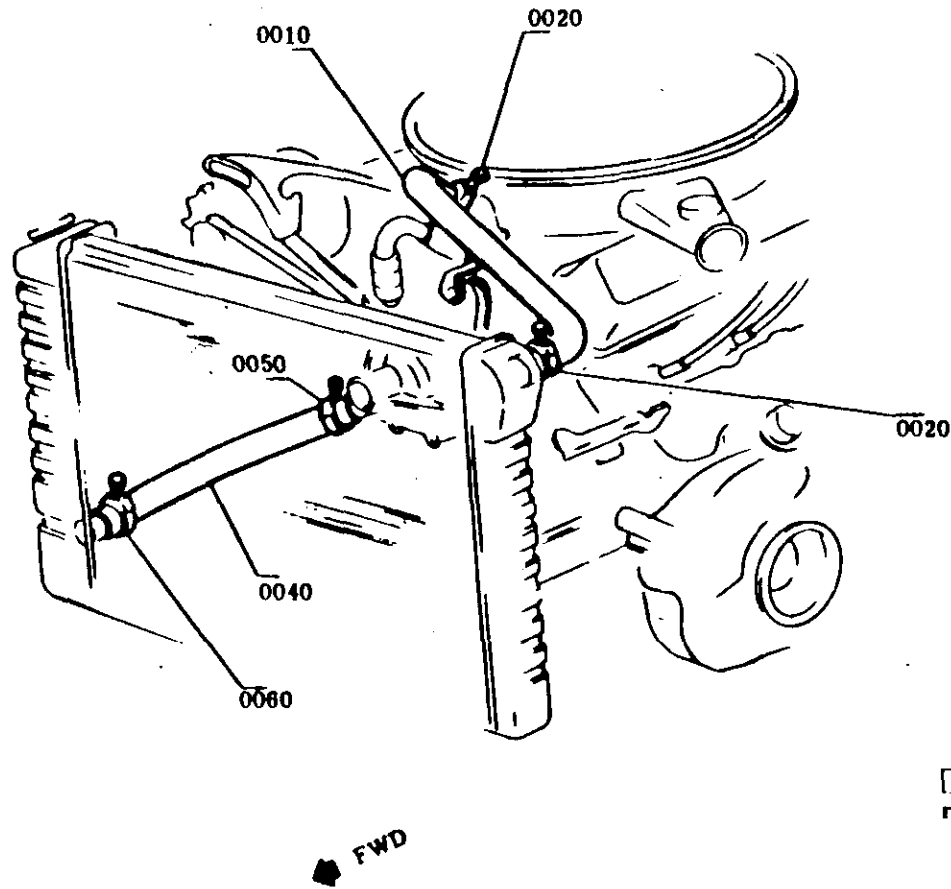
ENGINE TRUCK & CRACK

ITEM	PART OR TOOL DESCRIPTION	ADD'L DATA	QTY	PART NUMBER	ENGINE CODES	SERIES	REV	ITEM RESTRICTION	DEPARTMENTS		CHANGE		LOGIC CODE	FUNCTION CODE	ADDITIONAL CODES	FNA	LINE NOS
									#1	2/STA	CD	AUTH					
A401014	403 ENG ACSRY			L8679					0752								1.8
A401024	INSL								0752								1.9
A402014	145 AMP GEN			L9257					0752								1.11
0010AA	BLADE ASM FAN		1	407999					0752	62			0000620395				1.11
0020AA	PULLEY CR/SHF		1	409806				-L04	0752	62			0448620400				1.19
0020AB	PULLEY CR/SHF		1	2025925				L04	0752	62			0425620400	M			1.20
0030AA	BOLT PUL TO C/SH		4	9424877					0752	64							1.22
0040AA	PULLEY ASM FAN		1	409807				-L04	0752	64			0448640010				1.24
0040AB	PULLEY ASM FAN		1	2025924				L04	0752	64			0425640010	M			1.25
0050AA	BELT ASM		1	9433640					0752	64			0000640015				1.27
0060AA	CLUTCH ASM FAN		1	724457					0752	64			0000640020				1.29
0070AA	BOLT 15:20 FT LB		4	9417950					0752	62							1.31
0080AA	WA LK		4	103320					0752	64							1.33
0090AA	STUD		4	402720					0752	64							1.35
0100AA	NUT		4	9417954					0752	64							1.37
0100AB	120:180 IN LBS								0752	64							1.38

1 2 3 4 5		7E06X00	
	REFERENCE	MODEL APPLICATION FAN & DRIVE	MODEL YEAR IS 78 ORIGIN DATE 770727 LAST CHG DATE 770929 LAST CHG CODE 70 6K1 1
# MVSS		UPC DESCRIPTION	BK U P C PAGE

□ ITEM REFERENCE ◇ PROCESS MATERIAL △ TORQUE ▣ PART OF OR EXISTING

GMT 922 1-73



NOTE Install coded end of radiator hoses at radiator.

DYNAMIC (Inspection) - LPS	ROAD (Inspection) - LPS	DATE	SYM	REVISION	AUTH	DR	CR	DEPARTMENTS
△		5/13/77		ORIGINAL RELEASE	17000	72		
△								
△								
△								
△								

78 TRUCK		BOOK 70	
TITLE RADIATOR HOSES			
NAME WATER PUMP & DRIVE	NUMBER 6K 2	SHEET 1	

PRODUCT DESCRIPTION MANUAL

ASSEMBLY INFORMATION

GMT 1061 REV. 9/78

GMC TRUCK & COACH

ITEM	PART OR TOOL DESCRIPTION	ADD'L DATA	QTY	PART NUMBER	ENGINE CODES	SERIES	BODY BRN	ITEM RESTRICTION	DEPARTMENTS		CHANGE		LOGIC CODE	FUNCTION CODE	ADDITIONAL CODES	FNA	LINE NOS
									ST	2/STA	CO	AUTH					
AA0101	COOLING SYSTEM			LB450					0752								1.0
0010AA	HOSE RAD INL		1	2015466					0752	62			0000620405				1.16
0020AA	CLAMP RAD		2	9411656					0752	62			0000620410				1.18
0040AA	HOSE RAD OUT		1	2015465					0752	62			0000620415				1.20
0050AA	CLAMP RAD OUT		1	274765					0752	62			0000620420				1.22
0050AB	15120 IN LBS								0752	62							1.23
0060AA	CLAMP RAD OUT		1	274765					0752	69			0000690095				1.25
0060AB	15120 IN LBS								0752	69							1.26

		2E06X00	
REFERENCE		MODEL APPLICATION WATER PUMP DRIVE	UPC DESCRIPTION
		MODEL YEAR 1978 ORIGIN DATE 770727 LAST CHG DATE 770929 LAST CHG CODE 70 6K2	1 BK V P C BW PAGE

PRODUCT DESCRIPTION MANUAL

ASSEMBLY INFORMATION

OMT 1001 REV. 8/78

ENGINE & ENGINE

ITEM	QTY	PART OR TOOL DESCRIPTION	ADD'L DATA	QTY	PART NUMBER	ENGINE CODES	SERIES	REV	ITEM RESTRICTION	DEPARTMENTS		CHANGE CD	AUTH	LOGIC CODE	FUNCTION CODE	ADDITIONAL CODES	FNA	LINE NOB
										1	2/STA							
AA0101	1	ENG UPR INSTL		1	L8509					0752								1.8
AA0201	1	ENG UPR INSTL		1	L91P2				NB4	0752								1.10
0010AA	1	CARBURETOR ASM		1	117058254				-NB4	0752	62			3918	620055		M	1.21
0010AC	1	CARBURETOR ASM		1	117058559				NB4	0752	62			3918	620059		M	1.22
0020AA	1	GASKET CARB		1	419047					0752	62			0000	620060		M	1.24
0030AA	2	BOLT CARB FRY		2	9432450					0752	62							1.26
0040AA	2	BOLT CARB RR		2	9419032					0752	62							1.26
0050AA	2	WASHER		2	103320					0752	62							1.30
0060AA	1	PIPE HOY AIR		1	406220					0752	62	2573	10000	620065		M	1.32	
0070AA	1	PIPE CLEAN AIR		1	419302					0752	62			0000	620070		M	1.34
0080AA	1	MS CLN/A-CARB		1	393722					0752	62			0000	620075		M	1.36
0100AA	1	VALVE RELAY		1	495279					0752	62			0000	620080		M	1.38
0110AA	1	HOSE VLV/CONT		1	416443					0752	62			0000	620085		M	1.40
0120AA	1	HOSE VLV VENT		1	9433275					0752	62			0000	620090		M	1.42
0150AA	1	PUSHER ASM		1	2017545					0752	62			0000	620095		M	1.44
0160AA	1	BRKT MYG		1	2016420					0752	62			0000	620100		M	1.46
0170AA	2	BOLT MYG BRKT		2	9419683					0752	62							1.48
0170AB	1	20:25 FY#		1						0752	62							1.48
0180AA	1	NUT 15:20 FY#		1	7042654					0752	62							1.52
0190AA	1	WASHER		1	7042653					0752	62							1.53

F.M.V.

REFERENCE

ZE06X00

MODEL APPLICATION
CARBURET
UPC DESCRIP

MODEL YEAR 1978
ORIGIN DATE 770727
LAST CHG. DATE
LAST CHG. CODE
70 6M A 1
BK. U. P. G. 1/10 PAGE

PRODUCT DESCRIPTION MANUAL

ASSEMBLY INFORMATION

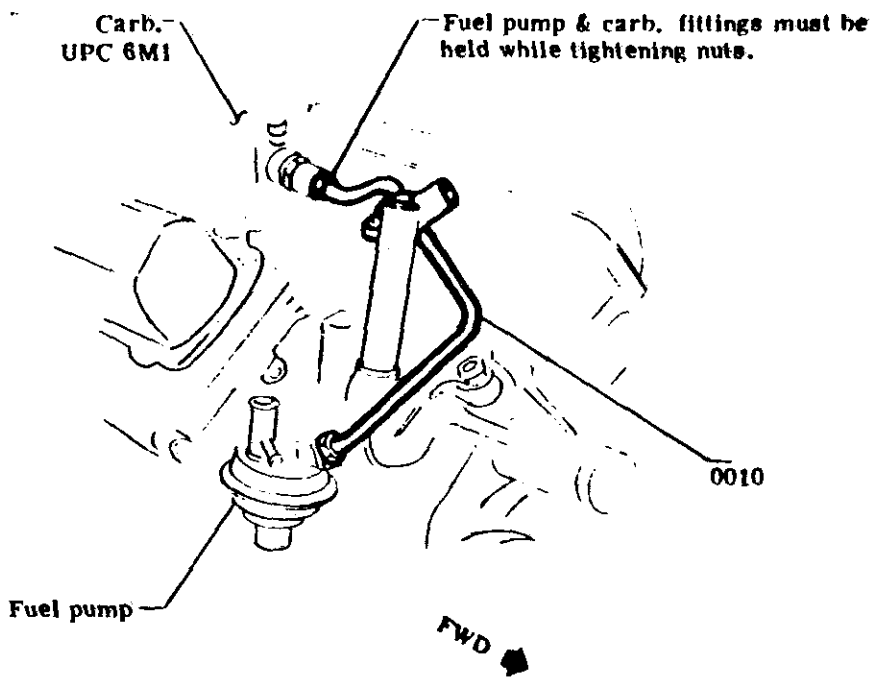
GMT 1001 REV. 6/78

GMC TRUCK & COACH

ITEM	PART OR TOOL DESCRIPTION	ADD'L DATA	QTY	PART NUMBER	ENGINE CODES	SERIES	REV	ITEM RESTRICTION	DEPARTMENTS		CHANGE		LOGIC CODE	FUNCTION CODE	ADDITIONAL CODES	FNA	LINE NOS
									1	2/STA	CD	AUTH					
A00104	A7CL INSTL			L8449					0752								1.8
A00204	403 ENG ACSRY								0752								1.10
A00204	INSTL			L8448					0752								1.11
0010AA	A7CL ASM		1	8995915					0752	69			0000690205				1.21
0020AA	GASKET		1	3969843					0752	69			0000690210				1.23
0030AA	STUD CARB A7CL		1	555699					0752	69							1.25
0040AA	NUT WING		1	148312					0752	69							1.27
0040AB	15:20 IN LBS								0752	69							1.28
0050AA	PP A7CL HOT AIR		1	550394					0752	69			0000690215				1.30
0060AA	CLAMP		1	3817244					0752	69			0000690220				1.32

1 2 3 4 5		ZE06X00	
REFERENCE	MODEL APPLICATION AIR CLEANER & SILENCER	UPC DESCRIPTION	MODEL YEAR 1978 ORIGIN DATE 770727 LAST CHG DATE 770929 LAST CHG CODE 70 6M3 1 BK V. P. C. PAGE

GMT 175



NOTE Blow out main fuel line just prior to installation with filtered air using a minimum of 25 PSI air pressure to insure removal of any foreign matter.

BY/CHK (Installation) - LPS	DATE	SYM	REVISION	AMT	DR	CR	DEPARTMENTS	TRUCK	BOOK
<ul style="list-style-type: none"> ▲ ▲ ▲ ▲ ▲ 	6-27-77		ORIGINAL RELEASE	17000			TRUCK	70	
TITLE TUBE-CARB. TO FUEL PUMP								DIVISION/UPC 6M4	SHEET 1

PRODUCT DESCRIPTION MANUAL

ASSEMBLY INFORMATION

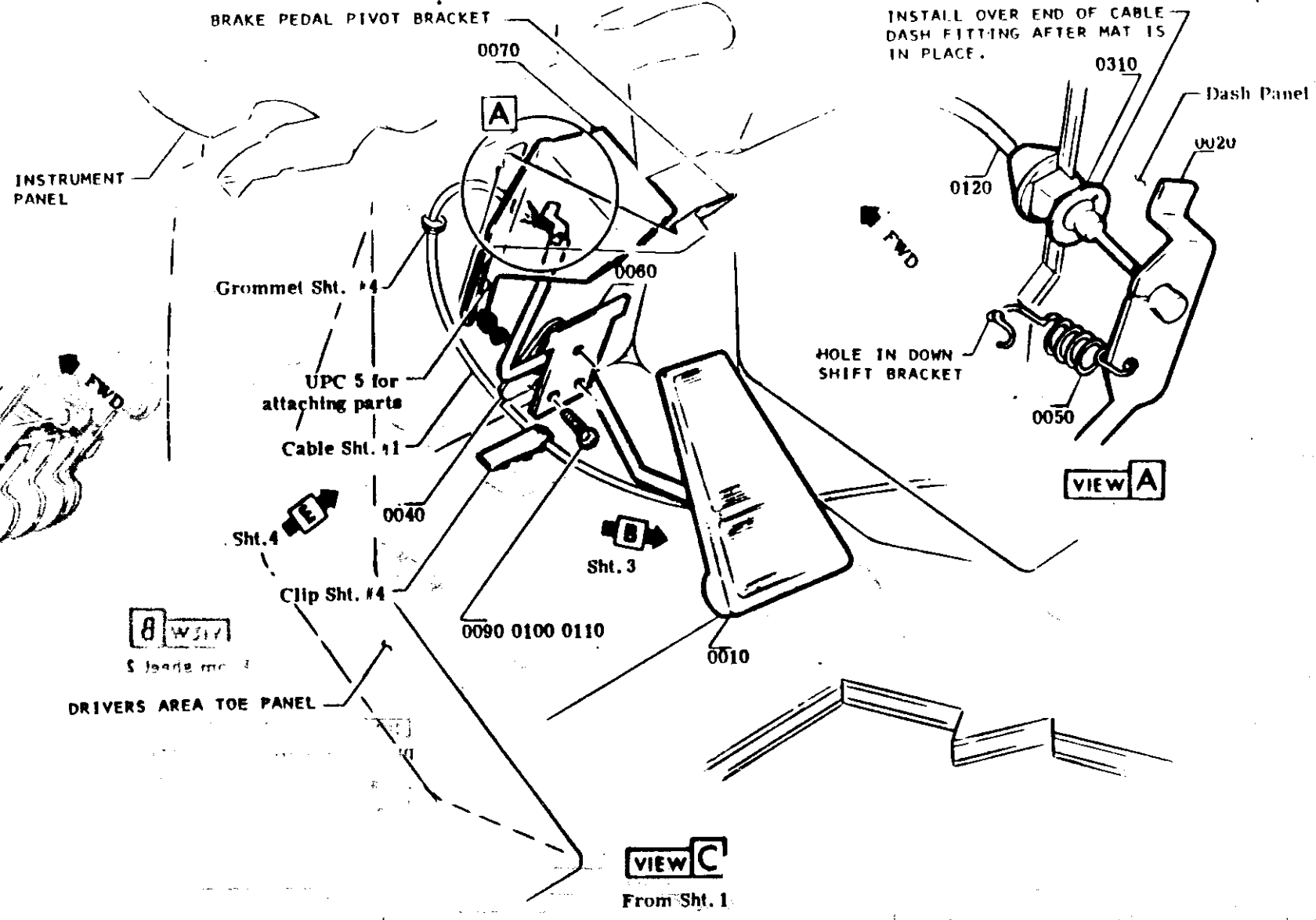
GM7 1981 REV. 8/78



ITEM	QTY	PART OR TOOL DESCRIPTION	ADD'L DATA	QTY	PART NUMBER	ENGINE CODES	SERIES	REV	ITEM RESTRICTION	DEPARTMENTS		CHANGE		LOGIC CODE	FUNCTION CODE	ADDITIONAL CODES	PNA	LINE NOB
										#1	2/87A	CD	AUTH					
100101		ENG TIPPER			10500					0752								1-0
001000		TR F/PMP-CARB			555198					0752	62		0000620140					1-1

7 2 3 4 5 P.M.V.S.B.	ZE05000		MODEL YEAR 1978
	MODEL APPLICATION FUEL PUMP & V		ORIGIN DATE 770727
	UPC DESCRIPTION JIM PUMP		LAST CHG. DATE
			LAST CHG. CODE
			TO 644 A
			BR. V. P. C. 897

GMT 922 1-73



SYMBOL (Installation) - LBS	WARRANTY (Inspection) - LBS	DATE	SYM	REVISION	AUTH	DR	CR	DEPARTMENTS	TITLE	QTY	SHEET
▲		6-20-77		ORIGINAL RELEASE	1700002			H. GRIFIN	THROTTLE CONTROL		
▲									THROT. CONT. ACCEL. PED. OPER.	6N2	2
▲											
▲											
▲											

'78 TRUCK **BOOK 70**

TITLE

THROTTLE CONTROL

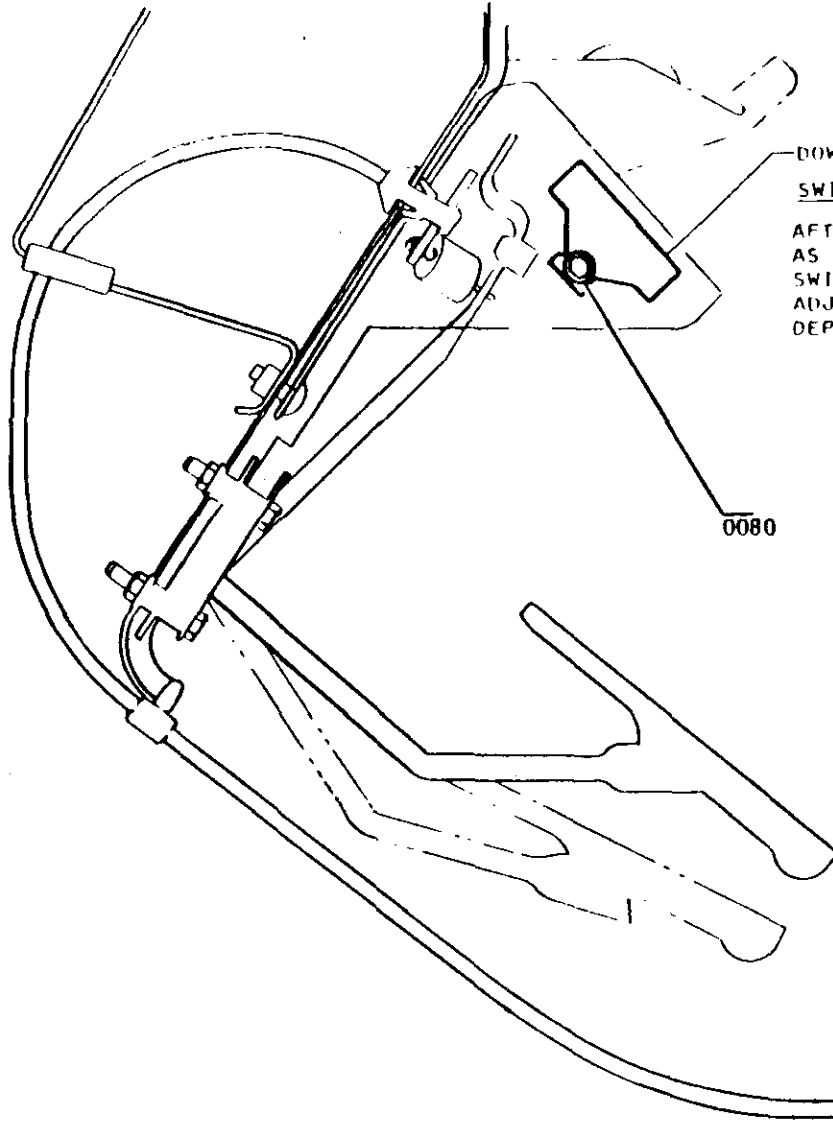
THROT. CONT. ACCEL. PED. OPER.

QTY **6N2**

SHEET **2**

□ ITEM REFERENCE ◇ PROCESS MATERIAL △ TORQUE ▣ PART OF OR EXISTING

GMT 922 1-73



DOWNSHIFT SWITCH UPC 12
SWITCH ADJUSTMENT PROCEDURE

AFTER INSTALLING SWITCH, PRESS PLUNGER AS FAR UP AS POSSIBLE. THIS PRE-SETS SWITCH FOR ADJUSTMENT. SWITCH WILL ADJUST ITSELF PROPERLY AFTER PEDAL IS DEPRESSED TO FULL THROTTLE.

◀ FWD

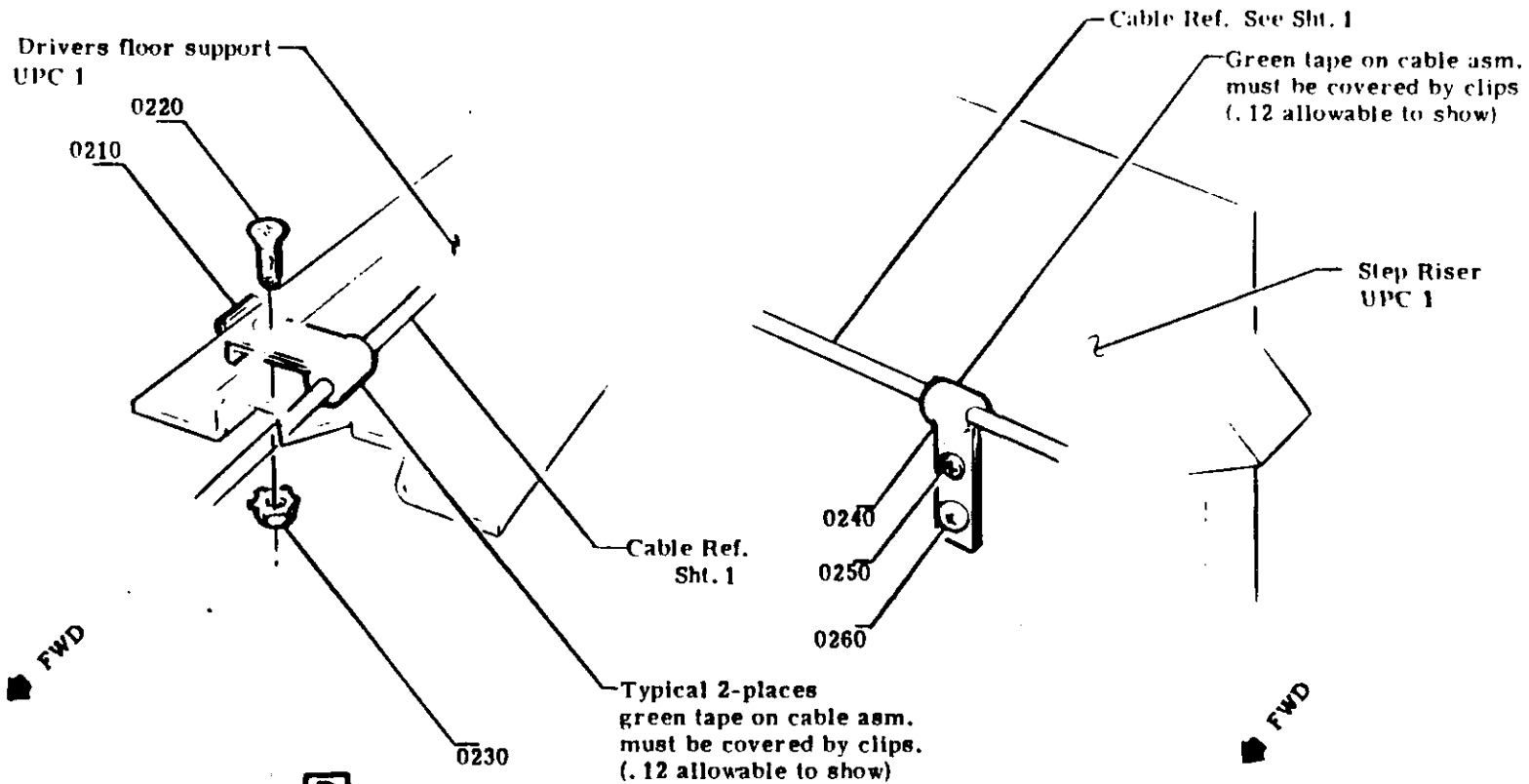
DYNAMIC (Installation) - LBS	HARD (Inspection) - LBS	DATE	SYM	REVISION	AUTH	DR	CR	DEPARTMENTS	TITLE
		5-10-77		ORIGINAL RELEASE	47000			11 60 11 N	'78 TRUCK
									BOOK 70
									DOWN SHIFT SWITCH ADJUSTMENT
									BRAND THROT. CONT. ACCEL. PED. OPER.
									DIVISION 6N2
									SHEET 5

▲
▲
▲
▲



□ ITEM REFERENCE ◇ PROCESS MATERIAL △ TORQUE ▣ PART OF OR EXISTING

GMT 922 B/74



VIEW D
From sheet 1

VIEW B
From sheet 1

DYNAMIC (Installation) - LBS	WASH (Inspection) - LBS	DATE	SYM	REVISION	AUTH	DR	CR	DEPARTMENTS	78 TRUCK BOOK 70	
▲		6/27/74		ORIGINAL RELEASE	47602				ACCEL. CABLE CLIP	
▲									NAME THROT.	DIVISION/UPC
▲									CONT. ACCEL.	6N2
▲									PED. OPER.	SHEET 6

PRODUCT DESCRIPTION MANUAL

ASSEMBLY INFORMATION

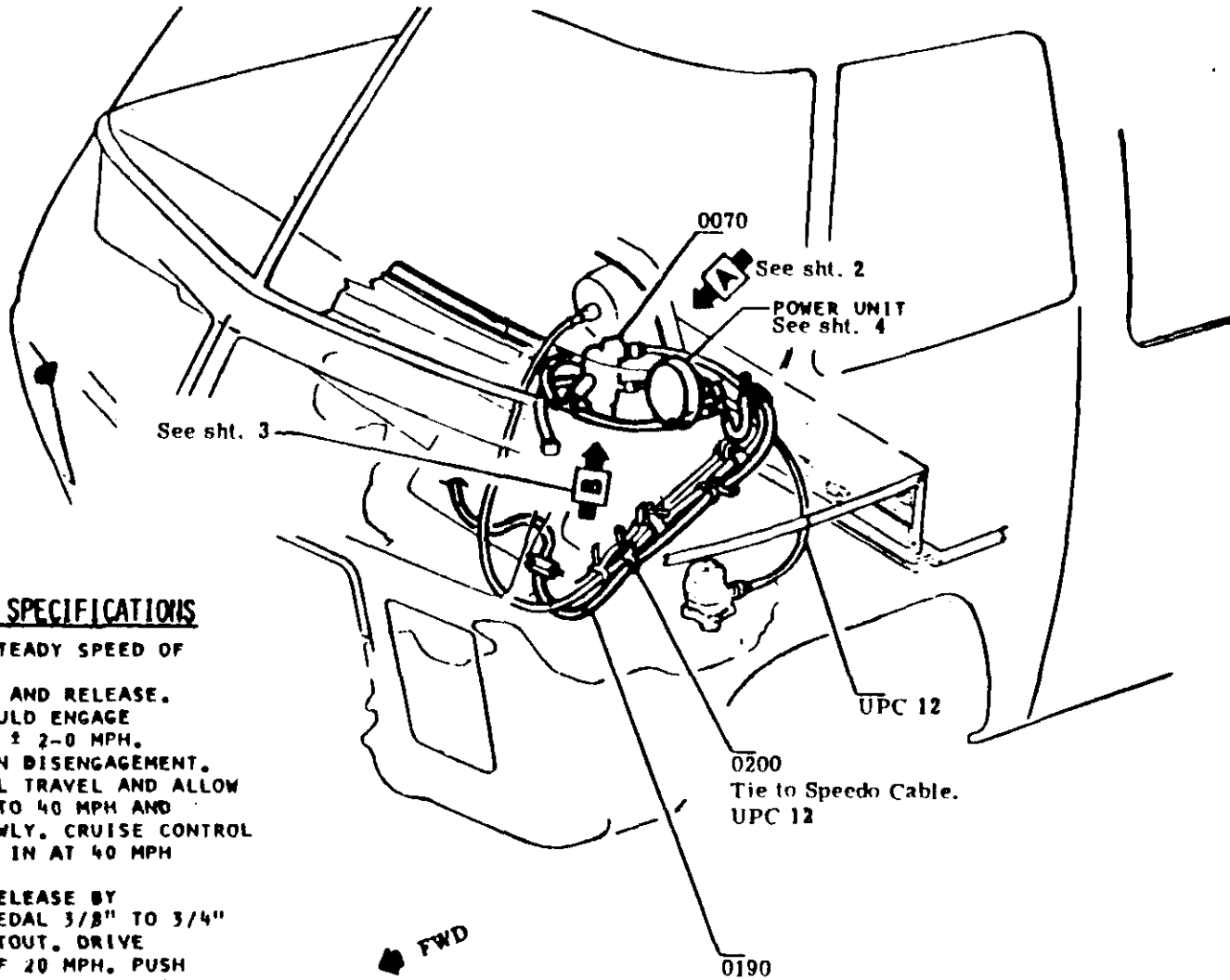
GMT 1061 REV 5/75

GMC TRUCK & COACH

ITEM	PART OR TOOL DESCRIPTION	ADD'L DATA	QTY	PART NUMBER	ENGINE CODES	SERIES	BOY	PART	ITEM RESTRICTION	DEPARTMENTS		CHANGE		LOGIC CODE	FUNCTION CODE	ADDITIONAL CODES	PNA	LINE NOS
										#1	2/STA	CD	AUTH					
0180A	CLIP		1	724070						0782	42			0000	420230			1.50
0190AA	SCREW		1	9419400						0782	42							2.1
0200AA	SCREW		1	443552						0782	42							2.3
0210AA	CLIP ACCEL CBL		2	724908						0782	50			0000	500060			2.5
0220AA	SCREW		2	156455						0782	50							2.7
0230AA	NUT		2	271184						0782	50							2.9
0240AA	CLIP		1	724070						0782	50			0000	500065			2.11
0250AA	SCREW		1	9414726						0782	50							2.13
0260AA	SCREW		1	3980590						0782	50							2.15
0270AA	BRKT CBL ANL		1	419926						0752	63			0000	630005			2.17
0280AA	BRKT RTN SPRG		1	2016420						0752	63			0000	630010			2.19
0290AA	BOLT RTN SPRG		2	9419683						0752	63							2.21
0300AA	SPRING ASM		1	416074						0752	63			0000	630170			2.23
0310AA	RETAINER		1	1233539						0754	87			0000	870075			2.25

	ZE06X00	MODEL YEAR 1978 ORIGIN DATE 770727 LAST CHG DATE 77929 LAST CHG CODE
REFERENCE	MODEL APPLICATION THROTTLE CONT FOR ACCEL PEDAL OPERATION	70 6N2 A 2 SR U. P. C. GMP PAGE

GMT 922 1-73



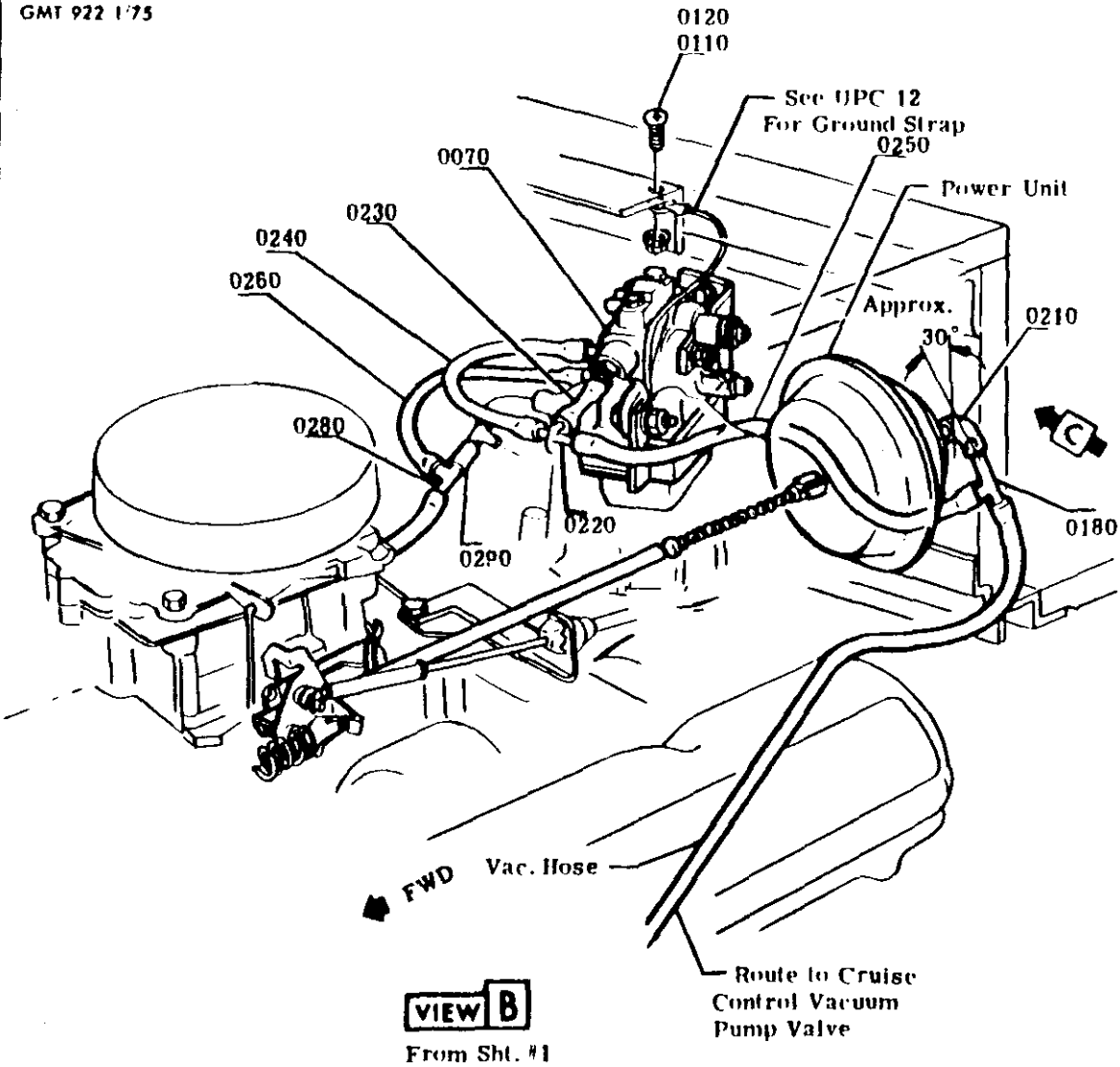
CRUISE CONTROL AUDIT SPECIFICATIONS

1. DRIVE VEHICLE AT STEADY SPEED OF 50 MPH.
2. PUSH ENGAGE BUTTON AND RELEASE. CRUISE CONTROL SHOULD ENGAGE SMOOTHLY AT 50 MPH ± 2-0 MPH.
3. CHECK ENGAGE BUTTON DISENGAGEMENT. PUSH BUTTON TO FULL TRAVEL AND ALLOW CAR SPEED TO DROP TO 40 MPH AND RELEASE BUTTON SLOWLY. CRUISE CONTROL SYSTEM SHOULD LOCK IN AT 40 MPH.
4. CHECK FOR CRUISE RELEASE BY DEPRESSING BRAKE PEDAL 3/8" TO 3/4"
5. CHECK LOW SPEED CUTOUT. DRIVE VEHICLE AT SPEED OF 20 MPH. PUSH ENGAGE BUTTON AND RELEASE. CRUISE CONTROL SHOULD NOT ENGAGE.

BY (Initiation) - LPS	NAME (Inspection) - LPS	DATE	SYM	REVISION	AUTH	DR	CR	DEPARTMENTS
△		6-3-77		ORIGINAL RELEASE	17200	03	AR	THOMPSON
△								
△								
△								
△								
△								

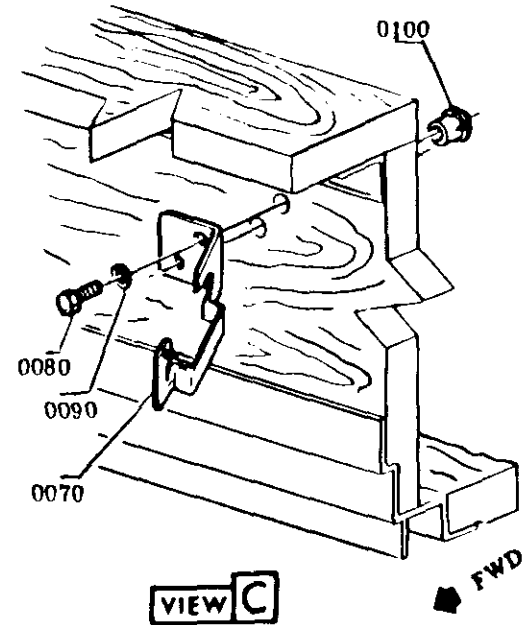
'78 TRUCK		BOOK 70	
TITLE TRANSDUCER & HOSES (RPO K30)			
NAME SPEED CONTROL	SYMBOL 6N4	SHEET 1	

GMT 922 1/75



VIEW B

From Sht. #1



VIEW C

DYNAMIC (Installation) - LPS	PHOTO (Inspection) - LPS	DATE	SYM	REVISION	AUTH	DR	ED	DEPARTMENTS
△		2-3-77		ORIGINAL RELEASE	Y2000	6/1		THOMPSON
△								
△								
△								
△								

78 TRUCK		BOOK 70	
TITLE TRANSJUCER & HOSE ROUTING (K30)			
NAME SPEED CONTROL	DIVISION/UPC 6N4	SHEET 3	



PRODUCT DESCRIPTION MANUAL

ASSEMBLY INFORMATION

ITEM	QTY	PART OR TOOL DESCRIPTION	ADD'L DATA	QTY	PART NUMBER	M TO ID	ENGINE CODES	SERIES	DOY BVM	ITEM RESTRICTION	DEPARTMENTS		CHANGE CD	LOGIC AUTH	LOGIC CODE	FUNCTION CODE	ADDITIONAL CODES	TIME NOS
											#1	2/STA						
AA0101	2	CRUISE CONT INST			L8451					K30	0782							1.8
AA0201	2	CRUISE CONT INST			L8451					K30	0752							1.10
0010AA		POWER UNIT		1	6466690					K30	0752	62			3647620425	M		1.11
0020AA		BRKT		1	700436					K30	0752	62			3647620430	M		1.11
0021AA		NOTE: USE EXISTING HARDWARE TO ATTACH BRKT TO TRANS. HSG.										0752	62					1.21
0021AA		RETORQUE 25-30 FT LBS.										0752	62					1.22
0030AA		WA LK		1	103330					K30	0752	62						1.24
0040AA		NUT 10-15 FT LBS		1	124939					K30	0752	62						1.26
0050AA		BRKT CHAIN GDE		1	793181					K30	0752	63			3647630175	M		1.28
0052AA		STUD C/CUNT RT		1	2017885					K30	0752	63						1.30
0054AA		WA LK		1	121841					K30	0752	63						1.32
0058AA		NUT STUD		1	120622					K30	0752	63						1.34
0058AA		CLIP BALL CHAIN		1	1600989					K30	0752	63			3647630180	M		1.36
0060AA		WA CLIP		1	131015					K30	0752	63						1.38
0062AA		SPRING RET		1	455561					K30	0752	63			3647630185	M		1.40
0070AA		TRANSDUCER ASM		1	6466270					K30	0782	42			3647420235	M		1.42
0080AA		BOLT		2	9419008					K30	0782	42						1.44
0080AA		95-120 IN LBS									0782	42						1.45
0090AA		WA LK		2	103319					K30	0782	42						1.47
0100AA		NUT		2	693207					K30	0782	42						1.49
0110AA		SCREW		1	155941					K30	0782	42						1.51
0120AA		NUT C WA ASM		1	271166					K30	0782	42						1.53

P M V S S R E F E R E N C E	ZE06X00										MODEL YEAR 1978 ORIGIN DATE 770727 LAST CHG. DATE 770929 LAST CHG. CODE 70 6N4 A 1 BK U. P. C. QNF PAGE							
	MODEL APPLICATION										SPEED CONTROL							
	UPC DESCRIPTION																	

PRODUCT DESCRIPTION MANUAL

ASSEMBLY INFORMATION

ITEM	QTY	PART OR TOOL DESCRIPTION	ADD'L DATA	QTY	PART NUMBER	ENGINE CODES	SERIES	BOX	ITEM RESTRICTION	DEPARTMENTS		CHANGE		LOGIC CODE	FUNCTION CODE	ADDITIONAL CODES	FNA	LINE NOS
										#1	2/STA	CD	AUTH					
0140AA		VLY VAC DUMP		1	6465213			K30		0782	42			3647420240	M			1.55
0150AA		NUT		2	107824			K30		0782	42							1.57
0160AA		CLIP		2	2399079			K30		0782	42			3647420245	M			1.58
0170AA		GRLAMET		1	715216			K30		0782	42							2.2
0180AA		TEE		1	6465399			K30		0782	42			3647420250	M			2.4
0190AA		HOSE VAC DUMP		1	1599068			K30		0782	42			3647420255	M			2.6
0200AA		STRAP		3	8877976			K30		0782	50			3647500070	M			2.8
0210AA		ELBOW		1	6294397			K30		0752	63			3647630022	M			2.10
0220AA		TEE		1	5646002			K30		0782	42			3647420260	M			2.12
0230AA		HOSE TRANS TEE		1	6467907			K30		0782	42			3647420265	M			2.14
0240AA		HOSE TRANS TEE		1	6467930			K30		0782	42			3647420270	M			2.16
0250AA		HOSE TRANS TEE		1	6467933			K30		0782	42			3647420275	M			2.18
0260AA		HOSE TRANS TEE		1	1599036			K30		0752	63			3647630025	M			2.20
0265AA		CONN HSE/ENG		1	413584			K30		0752	63			3647630030	M			2.22
0280AA		TEE VAC HOSE		1	406026			K30		0752	63			3647630035	M			2.24
0290AA		HOSE AC/CR CONT		1	419801			K30		0752	63			3647630040	M			2.26

ZE06X00

MODEL APPLICATION
SPEED CONTROL
MPC DESCRIPTION

MODEL YEAR 1978
 ORIGIN DATE 770727
 LAST CHG DATE
 LAST CHG CODE
 70 6N4 A 2
 BK V. P. C. GMT PAGE

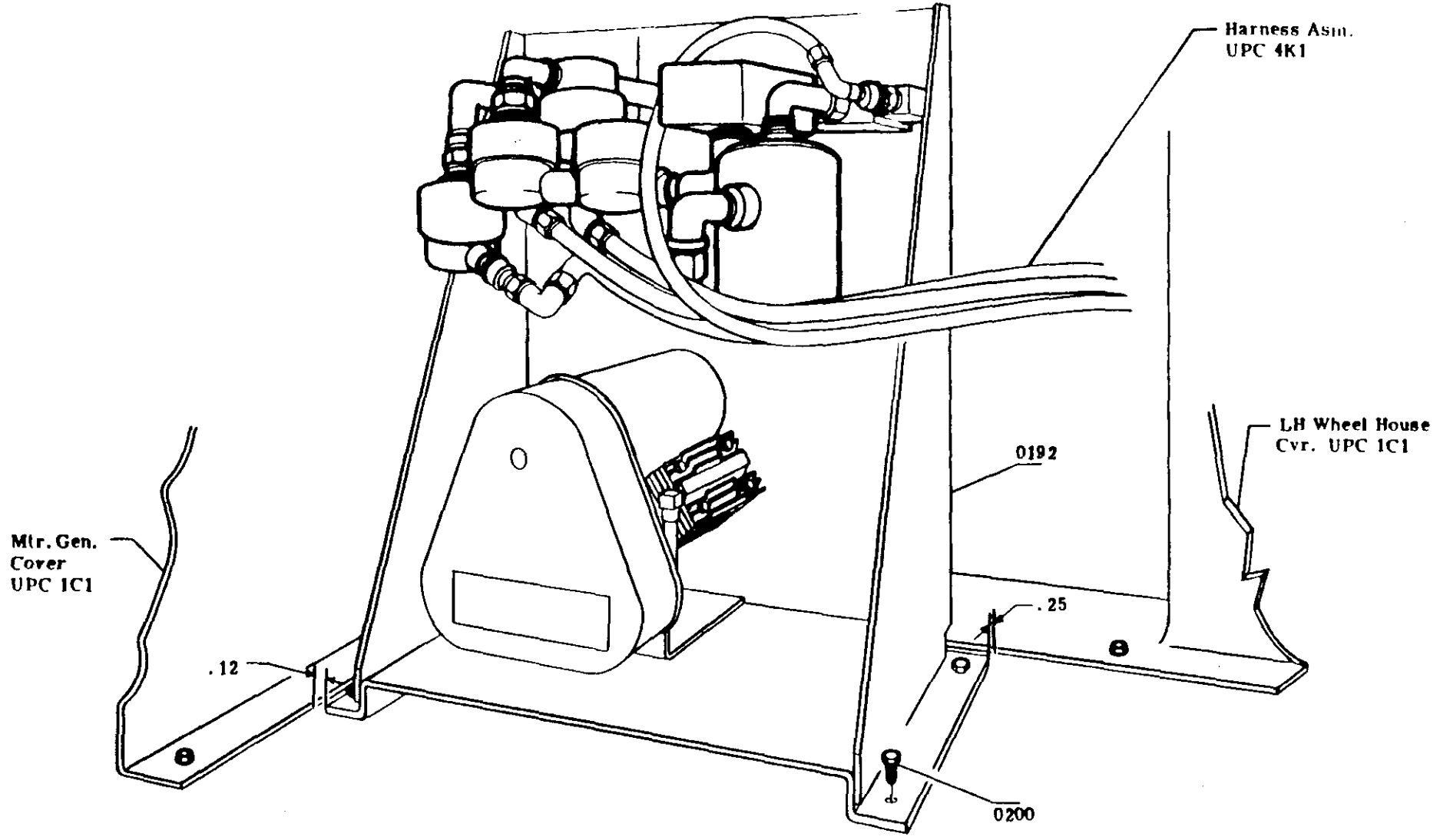
ASSEMBLY INFORMATION

QTY	PART OR TOOL DESCRIPTION	ADDL DATA	QTY	PART NUMBER	ENGINE PARTS	FRAMES	TOOLING	ITEM DESCRIPTION	QTY	TA	QTY	TA	QTY	TA	QTY	TA
1	ENG & TRANS MOUNTING		1	L0440					0752							
1	TERM INSTAL & CRD INSTK		1	MD03876					0752							
1	145 AMP GEN		1	L9257				L04801	0752							
2	BOLT ENG SUPT		2	9422279					0752	61						
2	BOLT ENG SUPT		2	9437563					0752	61	01390					
1	ENG FRT SUPT		1	550210					0752	61			0000610009			
1	ENG FRT SUPT		1	2025912				L04801	0752	61			0000610090			
2	STUD SUPT FRM		2	390403					0752	61						
2	NUT 25335 FT LBS		2	2402399					0752	69						
1	BRACKET SUPT		1	419660					0752	61			0000610129			
3	BOLT 45360 FT LBS		3	394545					0752	61						
3	BOLT 45360 FT LBS		3	394545					0752	61						
1	COMPOUND		1	9905140					0752	61						
3	WA LK		3	103328					0752	61						
3	BOLT BRKT 45365 FT LBS		3	9437563					0752	61	01390					
3	BOLT BRKT 45365 FT LBS		3	9437563					0752	61						
1	BOLT BRKT 45365 FT LBS		1	180145					0752	61						
1	BOLT BRKT 45365 FT LBS		1	180145					0752	61						
4	WA LK		4	103328					0752	61						
2	MOUNT ASM TRANS		2	550352					0752	61			0000611130			
2	RESTRICTOR		2	400761					0752	61			0000610139			
2	BOLT FRM 45365 FT LBS		2	9419097					0752	69						
2	BOLT FRM 45365 FT LBS		2	9419097					0752	69						
2	WA LK		2	103328					0752	69						
2	WASHER		2	9429859					0752	69						

1 2 3 4 5 6 7 8 9 10 11 12 13 14 15 16 17 18 19 20 21 22 23 24 25 26 27 28 29 30 31 32 33 34 35 36 37 38 39 40 41 42 43 44 45 46 47 48 49 50 51 52 53 54 55 56 57 58 59 60 61 62 63 64 65 66 67 68 69 70 71 72 73 74 75 76 77 78 79 80 81 82 83 84 85 86 87 88 89 90 91 92 93 94 95 96 97 98 99 100	REFERENCE	2E06X00	MODEL APPLICATION POWER PLANT TO FRAME MTG	UPC DESCRIPTION	MODEL - 14A0071 ORIGIN DATE 770727 LAST ENG DATE 771008 LAST ENG CODE 61390 TO CG A 1 BK U. P. C. QMP PAGE

□ ITEM # ◊ PROCESS MATERIAL △ TURN ▣ PART OF OR EXISTING

GMT 922 1/75



BY (Installation) - (PS)	DATE	SYM	REVISION	AUTH	DR	CR	DEPARTMENTS	TITLE	BOOK
▲ ▲ ▲ ▲	2.4.77		ORIGINAL RELEASE	47000	MC	2		77 TRUCK	BOOK 70
								MODULE ASM. ZEO6083 ZEO8583 W'GXW	
								AIR COMP & AIR INJ. REACTOR	6T 3

ITEM	QTY	PART OR TOOL DESCRIPTION	ADD'L DATA	QTY	PART NUMBER	ENGINE CODES	REF	REV	ITEM DESCRIPTION	DEPARTMENTS		CHANGE		LOGIC CODE	FUNCTION CODE	ADDITIONAL CODES	PN	THE JOB
										#1	2/STA	CD	AUTH					
AA01AA	4	RR AIR SUSP		4	L9362					0784								1.8
AA020A	4	RR AIR SUSP		4	L8016					0782								1.10
0010AA		COMPRESSOR ASM		1	2027286					0784	67			1388	675265		MO0100	1.15
0010AB		COMPRESSOR ASM		1	795622					0784	67			619121387	675265		001000	1.16
0011AA		ITEMS 0020 THRU Q182 ARE PART OF ITEM 0010								0784	67							1.16
0020ZA		CMPR ASM A/C		2	5044908					0784	67							1.20
0030ZA		BRKY CMPR AIR		1	2027284					0784	67							1.22
0040ZA		BRKY RISER		1	2027282					0784	67							1.24
0050ZA		VLV ASM - SEL		2	2006761					0784	67							1.26
0060ZA		BRKY-SOL NY		1	2007486					0784	67							1.28
0070ZA		SCR ASM-SOL NY		4	456963					0784	67							1.30
0080ZA		BOLT SOL NY BRKY		3	9419004					0784	67							1.32
0090ZA		WA LK SOL NY BRKY		3	103319					0784	67							1.34
0100ZA		NUT NY BOLT		3	9419912					0784	67							1.36
0110ZA		NUT-RISER BRKY		6	9417954					0784	67							1.38
0120ZA		WA LK-RISER		6	103320					0784	67							1.40
0130ZA		INSL ASM BRKY		4	397224					0784	67							1.42
0140ZA		TUBE ASM		2	2027285					0784	67							1.44
0150ZA		FTG ASM CMPR		2	3176207					0784	67							1.46
0160ZA		CONN-CMPR		2	121711					0784	67							1.48
0170ZA		SEALER		4	8860653					0784	67							1.50
0180ZA		ADPTR-CMPR SOL		2	793384					0784	67							1.52
0182ZA		NUT ASM		6	11503680					0784	67							1.54

VE07XCD

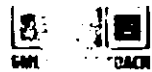
MODEL IDENTIFICATION
AIR COMPRESSOR & AIR INJECTOR REACTOR
UNCLASSIFIED

MODEL YEAR 75
ORIGIN DATE 77-727
EAST COAST DAY 771021
ASSEMBLY
70
REV. 01-1-78

PRODUCT DESCRIPTION MANUAL

ASSEMBLY INFORMATION

GM 1978 REV. 8/78



ITEM NO.	QTY	PART OR EQUIV. DESCRIPTION	ADD'L DATA	QTY	PART NUMBER	ENGINE CODES	SERIES	BODY BRK	ITEM RESTRICTION	DEPARTMENTS		CHANGE		ACTION CODE	ADDITIONAL CODES	TNA
										1	2/STA	CD	AUTH			
119AAA		A/C MODULE ASM		1	20091			83GXW		754	90			130		
120AAA		SCR MOD MT		4	942006			GXM		754	90					
121AAA		SCREEN MTG		4	942006			GXM		784	67					

ZE06X00

MODEL YEAR 1978
 ORIGIN DATE 770727
 LAST CHG. DATE 770822
 LAST CHG. CODE

MODEL APPLICATION
 AIR COMPRESSOR & AIR INJECTOR REACTOR
 UPS DESCRIPTION

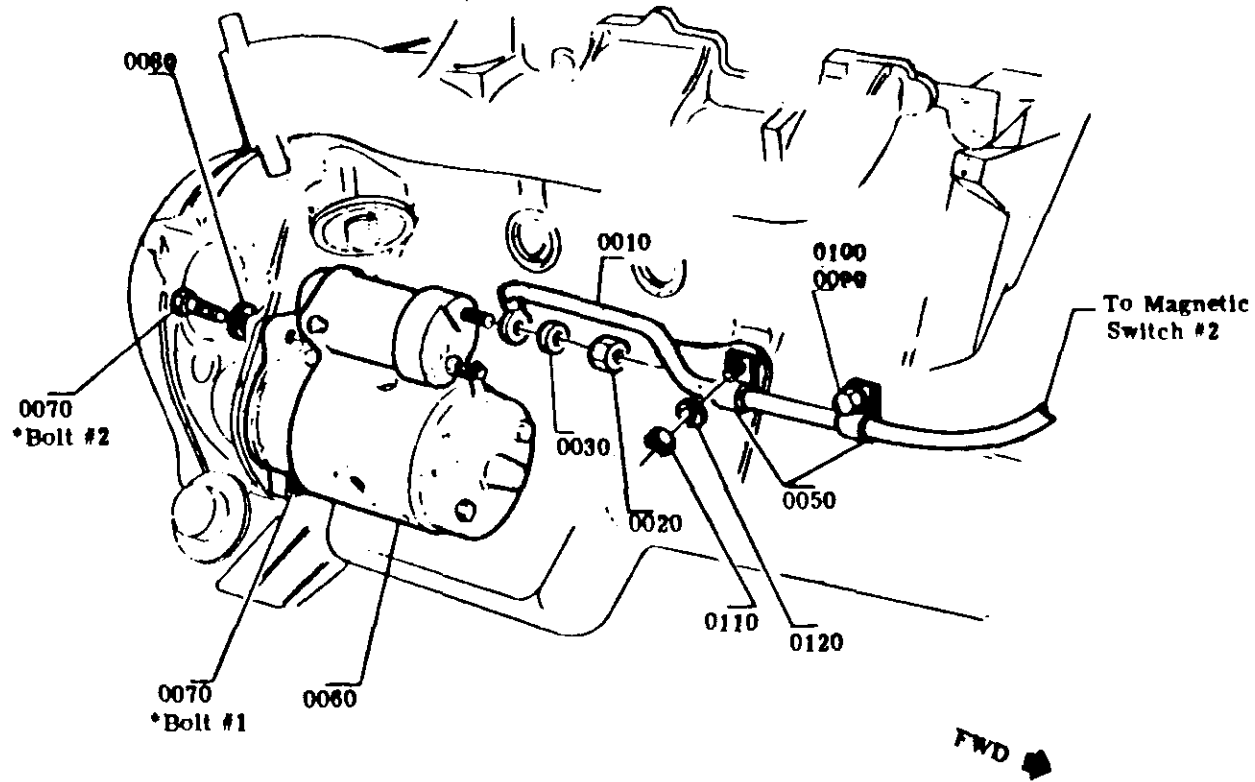
70 6T A 2
 DE W. P. G. SUP PAGE

F.M.V.B.B.

REFERENCE



GMT 922 1-73



Mandatory Bolt
 Tightening Sequence:
 Hand Start Both Bolts
 Tighten Bolt #1 First
 Then Tighten Bolt #2

REV	DATE	SYN	REVISION	APPR	DR	CR	REMARKS	TRUCK	BOOK
1	6/15/71		ORIGINAL RELEASE	Y2000	B	25	Tolson	7	70

TRUCK BOOK 70
 STARTER & STARTER CABLE ROUTING
 STARTING DEVICE 6Y2 1



PRODUCT DESCRIPTION MANUAL

ASSEMBLY INFORMATION

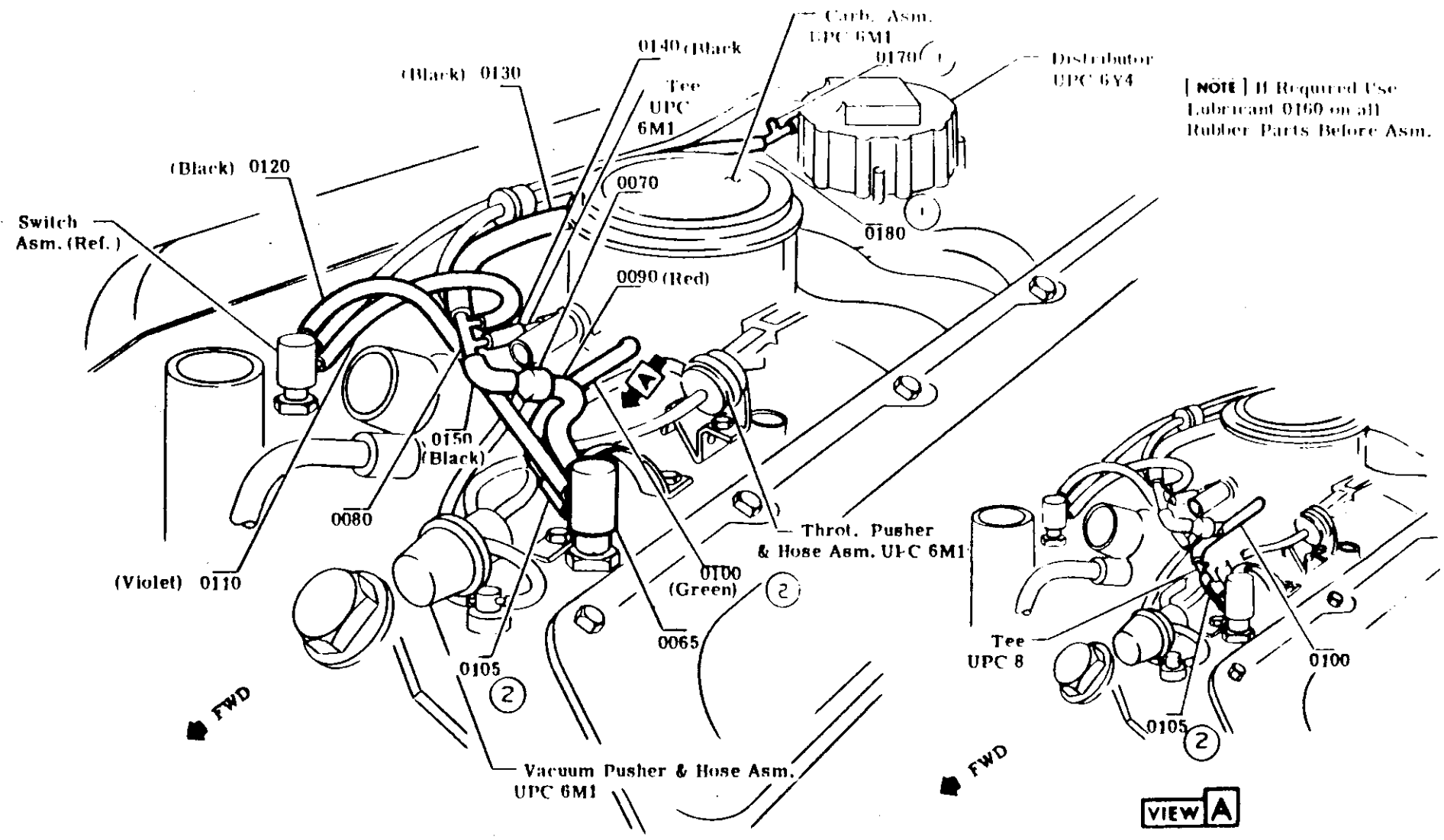
GMT 1001 REV. 8/78

GENIC TRUCK & COACH

ITEM	QTY	PART OR TOOL DESCRIPTION	ADD'L DATA	QTY	PART NUMBER	ENGINE CODES	SERIES	NOY B/RK	ITEM RESTRICTION	DEPARTMENTS		CHANGE		LOGIC CODE	FUNCTION CODE	ADDITIONAL CODES	FNA	LINE NO#
										#1	2/STA	CD	AUTH					
AA0101	4	ENG 2 CHAS WRG		*	LR752			81		0782		02106						1.8
AA0103	4	ENG 2 CHAS WRG		*	LR680			83		0782		02106						1.9
AA0201	4	403 ENG ACSRY		*	LR679					0782								1.11
AA0202	4	INSTL								0782								1.12
AA0301	4	403 ENG ACSRY		*	LR679					0752								1.14
AA0302	4	INSTL								0752								1.15
0010AA		CABLE ASM MAG SW			12000941					0752	61		0000	610095				1.20
0020AA		NUY CABLE			120377					0752	61							1.21
0020AA		60:12 IN LBS								0752	61							1.22
0030AA		WASHER			103321					0752	61							1.23
0040AA		WIRE ASM			8910956					0782	61		0000	370003				1.24
0050AA		CLIP			2444044					0752	61		0000	610100				1.3
0060AA		MOYOR ASM STARY			1100029					0752	61		0000	610105				1.33
0070AA		BPLY STARTER			9419077					0752	61							1.35
0080AA		WA LR			103322					0752	61							1.37
0090AA		BPLY			9419077					0752	61							1.39
0100AA		WA LR			103322					0752	61							1.41
0110AA		NUY			9419097					0752	61							1.43
0120AA		WA LR			103322					0752	61							1.45

REVISED	2E06X00		MODEL YEAR IS 78
	REPLACEMENT		ORIGIN DATE 770727
	MODEL APPLICATION STARTING DEVICES		LAST CHG. DATE
UPC DESCRIPTION		LAST CHG. ORDR	TO 6V2 A 1
		PS M. P. S. GMT PAGE	

GM 922 1 / 5



DATE	SYM	REVISION	AUTH	DE	CR	DEPARTMENTS
12, 17		ORIGINAL RELEASE	72000			Production
2, 27	1	ITEMS WITH CHANGE ADDED				Production
2, 17, 72	2	ITEMS WITH CHANGE ADDED	63793			Production

78 TRUCK		BOOK 70
TITLE HOSE-THERMAL VACUUM SWITCH TO CARB. & DISTRIBUTOR W NB4		
NAME DISTRIBUTOR	DIVISION/UPC 6Y3	SHEET 2



PRODUCT DESCRIPTION MANUAL

ASSEMBLY INFORMATION

GMT 1061 REV. 5/78

ITEM	SEQ	P.M.	PART OR TOOL DESCRIPTION	ADD'L DATA	QTY	PART NUMBER	M.O.D.	ENGINE CODES	SFRHS	BOY	HTRK	ITEM RESTRICTION	DEPARTMENTS		CHANGE		LOGIC CODE	FUNCTION CODE	ADDITIONAL CODES	LINE NOS
													61	2-51A	CD	AUTH				
AAG001			ENG UPR INSTL			LASCP							0752							1.0
AAG002			ENG UPR INSTL			L9172							0752							1.10
001000			SWITCH ASM VAC		1	3030975							0752	62			0000	620145		1.10
001000			12:14 FT LBS										0752	62						1.19
002000			SEALER VAC SW			9965735							0752	62						1.21
003000			HOSE TO DISTR		1	416441							0752	62	25731	0000	620150		1.23	
004000			HOSE TO CARB		1	417235							0752	62		0000	620155		1.25	
005000			HOSE CARB PR		1	416012							0752	62		0000	620160		1.27	
006000			PLUG VAC SW		1	444661							0752	62			39186	620165		1.29
006000			100:125 IN LB										0752	62						1.30
006500			SW THERM VAC		1	3038957							0752	62			39176	620170		1.32
007000			VALVE CHECK		1	497853							0752	62			39176	620175		1.34
008000			TEE SW DBL VAC		1	3979424							0752	62			39176	620180		1.36
009000			HOSE DISTR ADV		1	417590							0752	62			39176	620185		1.38
010000			HOSE TEE-SW		1	416441							0752	62	03743	39176	620370		02420	1.40
010500			HOSE LH PRTY-TEE		1	417232							0752	62	03743	39176	620375		02425	1.42
011000			HOSE RH VAC		1	417235							0752	62			39176	620195		1.44
012000			HOSE RH & LH		1	9433275							0752	62			39176	620200		1.46
013000			HOSE DISTR		1	3942590							0752	62	25731	39176	620205			1.48
014000			HOSE TEE		1	419001							0752	62			39176	620210		1.50
015000			HOSE TEE/VLV		1	419001							0752	62			39176	620215		1.52
016000			LUPE HOSE			9085051							0752	62						1.54

	ZL06X00	MODEL YEAR 1978
		ORIGIN DATE 770727
		LAST CHG DATE 770922
		LAST CHG CODE 3763
F.M.V.B.	REFERENCE	70 6Y3 A 1
	MODEL APPLICATION DISTRIBUTOR UPC DESCRIPTION	BK V. P. C. QRP PAGE

PRODUCT DESCRIPTION MANUAL

ASSEMBLY INFORMATION

17 1081 REV. 8/79

GMC TRUCK & COACH

ITEM	QTY	OR TOOL DESCRIPTION	ADD'L DATA	QTY	PART NUMBER	ENGINE CODES	SERIES	REV	ITEM RESTRICTION	DEPARTMENTS		CHANGE		LOGIC CODE	FUNCTION CODE	ADDITIONAL CODES	PNA	E NOS.
										#1	2/STA	CD	AUTH					
AA0101A		SPARK PLUG WRG			L8574					0752								1.2
AA0201A		ENG 5 CHAS WRG			L8752			R1		0752								1.10
AA0203A		ENG 5 CHAS WRG			LP680			R3		0752		02106						1.10
AA0301A		ENG 6 TRANS MTE			L3594					0752								1.10
0010AA		STRAP ASM GRD		1	8910952					0752	68		0000680265				M	1.25
0020AA		SCREW		1	39P0136					0752	69							1.25
0030AA		HARN ASM IGN		1	12002211					0752	62		0000620230				M	1.25
0050AA		RET SPLG CABLE		2	367111					0752	62		0000620235				M	1.35
0060AA		RET SPLG CABLE		1	3830786					0752	62		0000620240				M	1.35
0070AA		RET SPLG CABLE		2	8917143					0752	62		0000620245				M	1.35
0080AA		SWITCH ASM MAG		1	2257158					0782	37		0000370005				M	1.35
0090AA		BOLT MAG SW		2	180018					0782	37							1.35
0100AA		WA LK		2	120423					0782	37							1.40

ZE06X00

MODEL YEAR 1978
 ORIGIN DATE 770728
 LAST CHG. DATE
 LAST CHG. CODE

MODEL APPLICATION

SPARK PLUGS, WIRES, IGN SWITCH & GRD STRAP

UPC DESCRIPTION

70 6Y4 A 1
 BK V. P. C. BRN PAGE

GMT 922 8/74

7 TRANSMISSION

Sht. : Title:

1 Transmission to Engine

7A TRANS. EXTENSION CONTROLS

- 1 Control Cable & Linkage
- 2 Cable to Steering Column
- 3 Transmission Shift Cable Linkage
- 4 Modulator Pipe
- 5 Down Shift Switch
- 6 Shift Linkage Requirements

7B2A - TRANS. CASE, F W HSG. & BRG. RETNR.

1 Tran. Flywheel Bolts & Cover

7B6 TRANS. COOLER

1 Cooler Pipes

(AUDIT)
INDEX-1
7-1
7A-6
7B2A-1
7B6-1

BY/CHK (Installation) - LBS	DATE	SYM	REVISION	AUTH	DR	CR	DEPARTMENTS	78 TRUCK	BOOK 70	
	6/27/77		ORIGINAL RELEA.C	47000				INDEX		
	6/27/77	1	7B2A SHT #1 ADDED							
								NAME TRANS. CLUTCH & CONTROL	DIVISION/LPC 7	SHEET A

ITEM	PART OR TOOL DESCRIPTION	ADD'l DATA	QTY	PART NUMBER	ENGINE CODES	SERIES	REV. DATE	ITEM RESTRICTION	DEPARTMENTS		CHANGE Q.D.	AUTH.	LOGIC CODE	FUNCTION CODE	ADDITION. CODES	UNIT NOS.
									#1	#2						
	MVSS STD. 102 CAT. 2 TRANSMISSION SHIFT															1.8
	DUE CARE SHALL BE EXERCISED DURING THE ASSEMBLY OF TRANSMISSION SHIFT LINKAGE.															1.10
	1. THE ENGINE STARTER SHALL BE INOPERATIVE WHEN THE TRANSMISSION SHIFT LEVER IS IN A FORWARD OR REVERSE DRIVE POSITION.															1.12 1.13
	2. THE STARTER SHALL OPERATE ONLY WHEN SHIFT LEVER IS IN NEUTRAL OR PARK POSITIONS.															1.15 1.16
	PROCESS DOCUMENTATION:															1.50
	THIS PROCESS UTILIZES STANDARD TOOLS AND EQUIPMENT OF WHICH THE CAPABILITIES ARE WELL ESTABLISHED.															1.51
	APPROVED BY:	<i>James E. Kough</i>													1.53	
	DATE:	<i>9/1/77</i>													1.55	

F.M.V.B.R.	SYD 102 CAT. 2 TRANSMISSION	1977 POM	ZEO5XXX	MODEL YEAR 1978
	REFERENCE	MODEL APPLICATION TRANSMISSION	UPC DESCRIPTION	ORIGIN DATE LAST CHG DATE LAST CHG CODE 70 7 S 1 BK U. P. C. GRP PAGE

PRODUCT DESCRIPTION MANUAL

ASSEMBLY INFORMATION

GMT 1061 REV. 5/78



ITEM	QTY	PART OR TOOL DESCRIPTION	ADD'L DATA	QTY	PART NUMBER	ENGINE CODES	SERIES	BOY BRN	ITEM RESTRICTION	DEPARTMENTS		CHANGE		LOGIC CODE	FUNCTION CODE	ADDITIONAL CODES	FNA	LINE NOS
										#1	#2/STA	CD	AUTH					
AA01014		ENG & TRANS MTG		*	L3414					0752								1.8
AA01024		INSTAL								0752								1.9
AA02014		ENG & TRANS MTG		*	L3594					0752								1.11
AA03014		ENG UPPER INSTAL		*	L3843					0752								1.13
AA04014		A/CL & TRANS		*	L6394					0752								1.15
AA04024		VAC LINES								0752								1.16
AA05014		TERM INSTL &		*	MD83876					0752								1.16
AA05024		GRDG INSTR								0752								1.19
0010AA		TRANS ASM		1	8629631					0752	61	612900000	610110					1.29
0020AA		BOLT TRANS/ENG		6	9418968					0752	61							1.31
0030AA		WA LR		6	103321					0752	61							1.33

1E06X00

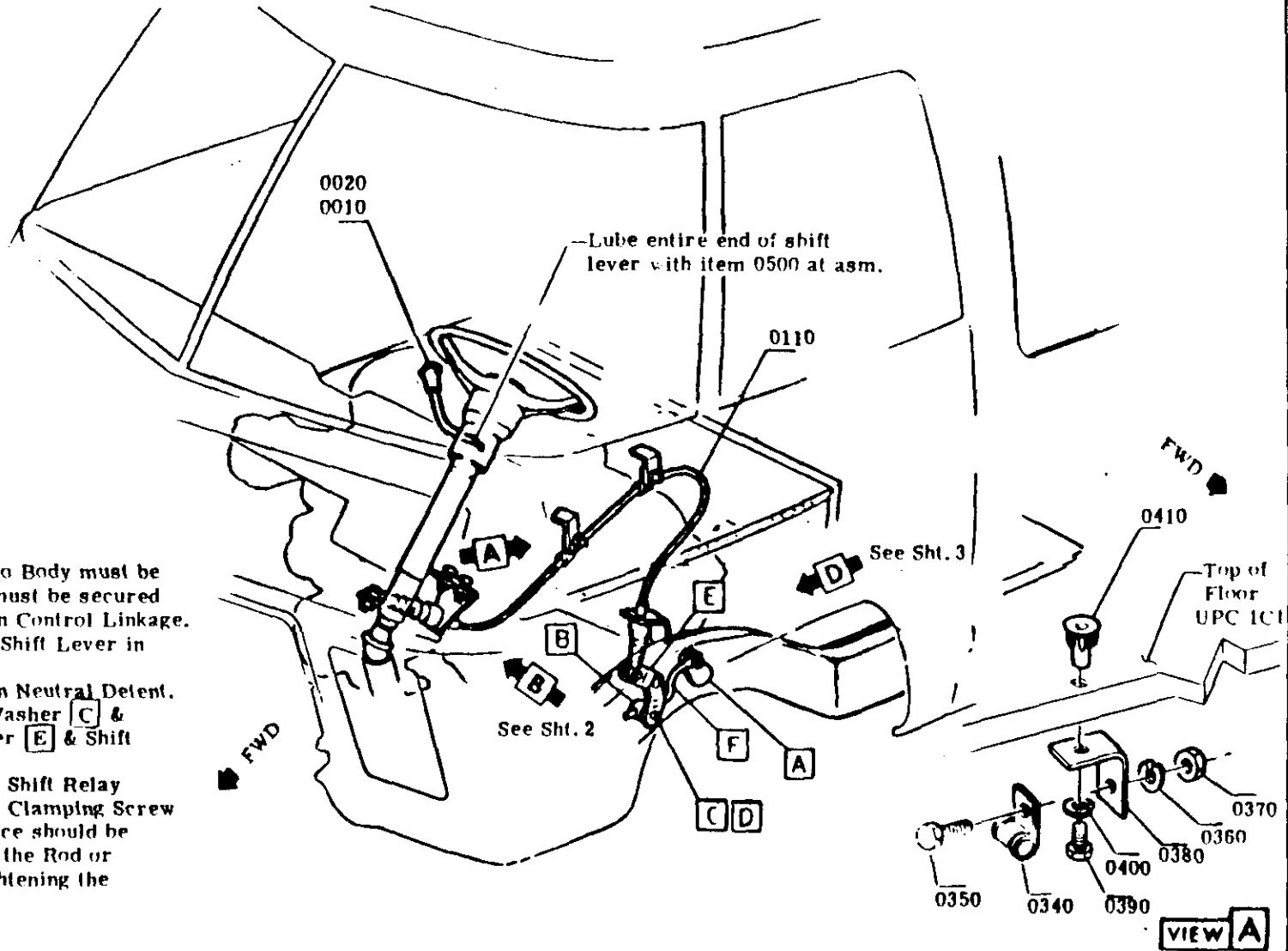
MODEL APPLICATION
TRANSMISSION
UPC DESCRIPTION

MODEL YEAR 1978
ORIGIN DATE 770728
LAST CHG. DATE 771003
LAST CHG. CODE 61290
70 7 A 1
PK. U. P. S. SUP. PAGE

GMT 922 1-73

NOTE

Refer to sheet 6 for automatic trans. shift linkage requirements.



ADJUSTMENT PROCEDURE

1. Steering Column Attachment to Body must be complete and all Body Bolts must be secured before adjusting Transmission Control Linkage.
2. Position the Steering Column Shift Lever in Neutral Gate Notch.
3. Set Transmission Lever **A** in Neutral Detent.
4. Assemble Clamp **B** Spring Washer **C** & Screw **D** To Shift Relay Lever **E** & Shift Relay Rod **F**.
5. Hold Clamp **B** Flush Against Shift Relay Lever **E** & Finger Tightened Clamping Screw **D** Against Rod **F**. No Force should be exerted in either direction on the Rod or Equalizer Lever **E** while tightening the Clamping Screw **D**.

TYPICAL (2) PLACES

DYNAMIC (Installation) - LBS	INSPECTION (Inspection) - LBS	DATE	SYM	REVISION	AUTH	DR	CR	DEPARTMENTS	TITLE
▲		6-6-77		ORIGINAL RELEASE	4/2000				'78 TRUCK CONTROL CABLE & LINKAGE
▲									NAME: TRANS. EXT. CONTROLS
▲									DIVISION: 7A
▲									SHEET: 1
▲									
▲									
▲									
▲									

'78 TRUCK BOOK 70

TITLE: CONTROL CABLE & LINKAGE

NAME: TRANS. EXT. CONTROLS

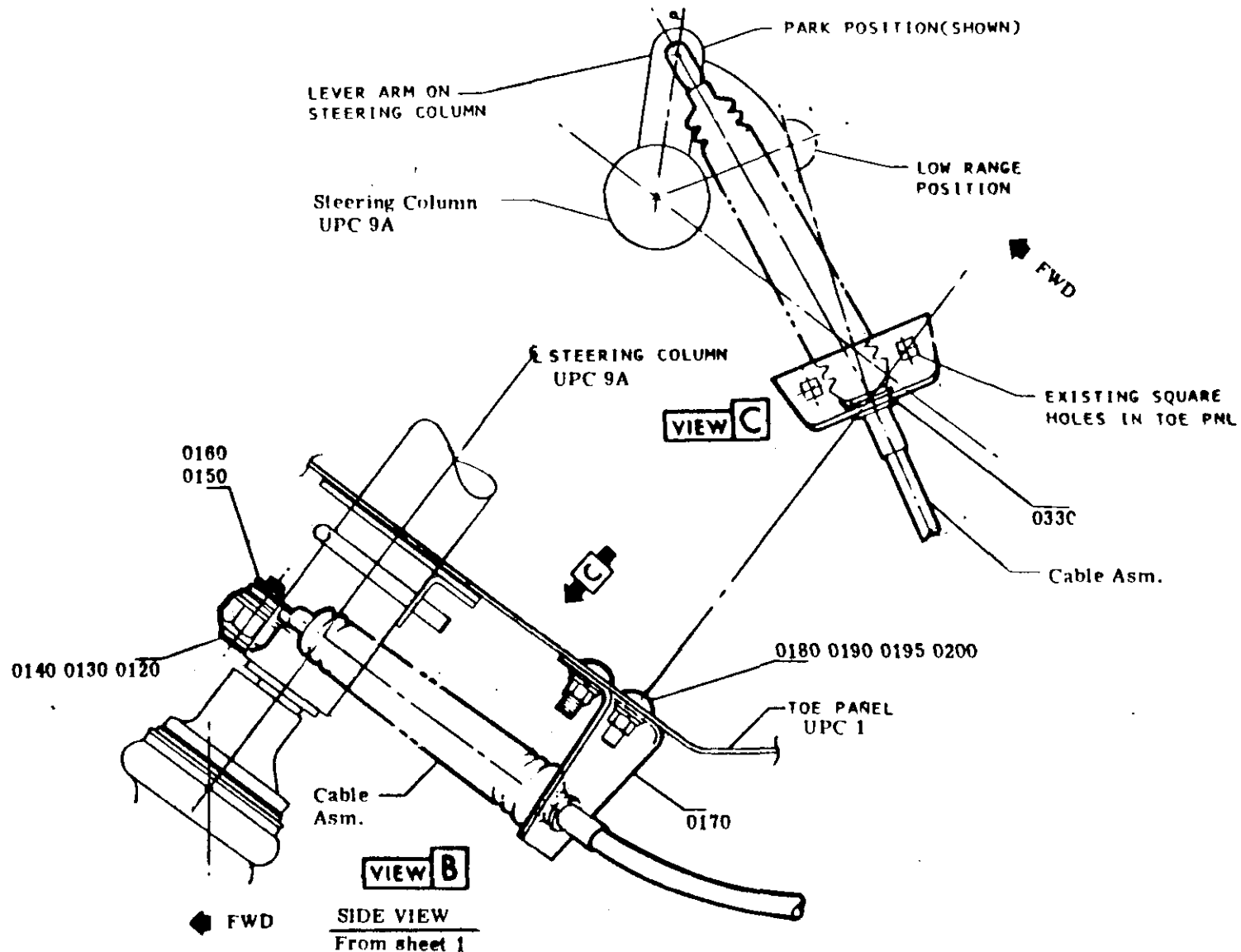
DIVISION: 7A

SHEET: 1



□ ITEM REFERENCE ◇ PROCESS MATERIAL ▲ TORQUE ▣ PART OF OR EXISTING

GMT 922 1-73



BY (Installation) - LBS	MADE (Inspection) - LBS	DATE	SYM	REVISION	AUTH	DR	CR	DEPARTMENTS
▲		1/73		ORIGINAL RELEASE	11006			
▲								
▲								
▲								
▲								

78 TRUCK		BOOK 70	
TITLE CABLE TO STEERING COLUMN			
NAME TRANS. EXT CONTROLS	DIVISION 7A	SHEET 2	



GMT 922 1/75

AUTOMATIC TRANSMISSION SHIFT LINKAGE REQUIREMENTS

THE PURPOSE OF THIS REQUIREMENT IS TO ASSURE CORRECT SHIFT LINKAGE ADJUSTMENT.

1. WHEN MOVING THE SHIFT LEVER FROM PARK TO "L" (LOW) ALL TRANSMISSION DETENT POSITIONS WILL BE ATTAINABLE
2. WITH THE TRANSMISSION IN THE DRIVE DETENT, THERE WILL BE CLEARANCE (OR FREE PLAY) BETWEEN THE SHIFT LEVER AND THE DRIVE GATE.
3. WITH THE TRANSMISSION IN THE REVERSE DETENT, THERE WILL BE CLEARANCE (OR FREE PLAY) BETWEEN THE SHIFT LEVER AND THE REVERSE GATE.

[NOTE]

THE CLEARANCE (OR FREE PLAY) BETWEEN THE SHIFT LEVER AND DRIVE GATE SHOULD BE APPROXIMATELY EQUAL TO THE CLEARANCE (OR FREE PLAY) BETWEEN THE SHIFT LEVER AND THE REVERSE GATE. IF THERE IS NO CLEARANCE (OR FREE PLAY) AT ONE POSITION, THE ADJUSTMENT IS NOT ACCEPTABLE.

4. WITH THE KEY IN THE "ON" POSITION AND SHIFT LEVER IN REVERSE POSITION, THE KEY WILL NOT BE REMOVABLE AND THE STEERING WHEEL WILL NOT BE LOCKED.
5. WITH THE KEY IN THE "LOCK" POSITION AND SHIFT LEVER IN PARK POSITION, THE KEY WILL BE REMOVABLE. THE STEERING WHEEL WILL BE LOCKED AND THE SHIFT LEVER WILL NOT DISENGAGE PARK.

DYNAMIC (Installation) - LBS	RAWD (Inspection) LBS	DATE	SYM	REVISION	AUTH	DR	CR	DEPARTMENTS
		6/2/77		ORIGINAL RELEASE	V. TORO			

'78 TRUCK		BOOK 70
TITLE		
SHIFT LINKAGE REQUIREMENTS		
NAME	DIVISION/UPC	SHEET
TRANS. EXT. CONTROLS	7A	6

PRODUCT DESCRIPTION MANUAL

ASSEMBLY INFORMATION

ITEM		ART OR TOOL DESCRIPTION		ADD'L DATA	QTY	PART NUMBER	ENGINE CODES	SERIES	REV	ITEM RESTRICTION	DEPARTMENTS #1	2/STA	CHANGE CD	AUTH	LOGIC CODE	FUNCTION CODE	ADDITIONAL CODES	FN.	LINE NOS
AA01014	ENG 5 TRANS MTG				*	L3414					0782								1.0
AA03014	LUB CHART				*	MD10298					0782								1.10
AA04014	TERM INSTAL &				*	MD83876					0782								1.11
AA04024	GRDG										0782								1.11
AA05014	403 ENG ACSRY				*	L8448					0782								1.11
AA05024	INSTL										0742								1.11
AA06014	S/LPE DN SHFT				*	L4259					0782								1.11
AA06024	INSTL										0782								1.11
AA07014	ENG 6 TRANS MTG				*	L3414					0754								1.21
AA07024	LUB CHART				*	MD10298					0754								1.21
AA09014	TERM INSTAL &				*	MD83876					0754								1.21
AA09024	GRDG										0754								1.21
AA10014	403 ENG ACSRY				*	L8448					0754								1.21
AA10024	INSTL										0754								1.21
AA11014	S/LPE DN SHFT				*	L4259					0754								1.21
AA11024	INSTL										0754								1.21
AA12014	ENG 5 TRANS MTG				*	L3414					0752								1.21
AA13014	LUB CHART				*	MD10298					0752								1.21
AA14014	TERM INSTAL &				*	MD83876					0752								1.31
AA14024	GRDG										0752								1.31
AA15014	403 ENG ACSRY				*	L8448					0752								1.31
AA15024	INSTL										0752								1.31
AA16014	S/LPE & DN SHFT				*	L4259					0752								1.31
AA16024	INSTL										0752								1.31
0010AA	LEVER TRANS SEL				1	334640					0782	45			0000	450050			1.51
0020AA	PIN SEL LVR				1	402198					0782	45							1.51
0030AA	PIPE ASM VLV				1	336484					0752	62			0000	620250			1.51
											7F05000				MODEL YEAR 197F ORIGIN DATE 770728 LAST CHG DATE LAST CHG CODE				
											MODEL APPLICATION TRANS EXTERNAL CONTROLS UPC DESCRIPTION				70 7A A 1 BK U. P. C. BRP PAGE				

103974

ASSEMBLY INFORMATION

ITEM	QTY	DESCRIPTION	ADD'L DATA	QTY	PART NUMBER	ENGINE CODES	SERIES	BOY BRK	DEPARTMENTS		CHANGE		LOGIC CODE	FUNCTION CODE	ADDITIONAL CODES	FA
									RT	2/STA	CD	AI/TH				
0040AA	1	CLIP VLV PIPE		1	392949				0752	62			0000620255			1.57
0050AA	1	WASHER		1	9421042				0752	62						1.59
0060AA	1	HS MOD V/PP		1	326560				0752	62			0000620260			2.2
0070AA	1	HOSE TRANS VAC		1	417226				0752	62			0000620265			2.4
0080AA	1	CONN HOSE		1	413505				0752	62			0000620270			2.5
0090AA	1	REDUCER		1	444024				0752	62			0000620275			2.8
0110AA	1	CPL TPNS CONT		1	693208				0752	68			0000680070			2.10
0120AA	1	ADAPTER		1	693124				0782	45			0000450055			2.14
0130AA	1	WASHER		1	131016				0782	45						2.14
0140AA	1	NUT 40250 FT LBS		1	9422285				0782	45						2.16
0150AA	1	WASHER ADAPT		1	120392				0754	88						2.18
0160AA	1	PIN ADAPT		1	103361				0754	88						2.20
0170AA	1	BRKT TRANS CONT		1	693061				0782	38			0000380105			2.22
0180AA	2	PLT TRANS CONT		2	126216				0782	38						2.22
0190AA	2	WASHER		2	9418304				0782	38						2.26
0195AA	2	WA LK		2	103320				0782	38						2.28
0200AA	2	NUT CPL BRKT		2	9417954				0782	38						2.30
0210AA	1	LVR CONT RLY		1	408500				0752	68			0000680075			2.32
0220AA	1	WASHER		1	120392				0752	68						2.35
0230AA	1	PIN		1	103361				0752	68						2.36
0240AA	2	BUSHING		2	9776302				0752	68			0000680080			2.38
0250AA	1	RETAINER		1	3788262				0752	68			0000680085			2.40
0260AA	1	RETAINER		1	1351765				0752	68			0000680090			2.42
0270AA	1	BRKT RLY LVR		1	693068				0752	68			0000680095			2.44
0280AA	2	SCREW		2	9422176				0752	68						2.46

7F05000

MODEL APPLICATION
TRANS EXTERNAL CONTROLS
UPC DESCRIPTION

MODEL YEAR 1976
ORIGIN DATE 770728
LAST CHG. DATE
LAST CHG. CODE
70 7A A 2
BK U. P. C. BNP PAGE



PRODUCT DESCRIPTION MANUAL

GMT 1081 REV 5/75

GMC TRUCK & COACH

ASSEMBLY INFORMATION

ITEM NO	PART OR TOOL DESCRIPTION	ADD'L DATA	QTY	PART NUMBER	ENGINE CODES	SERIES	BODY BRK	ITEM RESTRICTION	DEPARTMENTS #1	2. STA	CD	CHANGE AUTH	LOGIC CODE	FUNCTION CODE	ADDITIONAL CODES	FNA	LINE NOS																													
0290AA	STRUT		1	712326					0752	68			0000680100				2.48																													
0300AA	BOLT		2	9417950					0752	68							2.50																													
0300AA	95:155 IN LBS								0752	68							2.51																													
0310AA	WASHER		2	9422275					0752	68							2.53																													
0320AA	WASHER		2	9418304					0752	68							2.54																													
0330AA	SPRING		2	334961					0752	68			0000680105				2.58																													
0340AA	CLIP		2	2399079					0754	68			0000886060				3.1																													
0350AA	BOLT		2	9419004					0754	68							3.3																													
0360AA	WA LR		2	103319					0754	68							3.5																													
0370AA	MUT		2	9419912					0754	68							3.7																													
0380AA	BRACKET		2	2453499					0782	50			0000500075				3.9																													
0390AA	BOLT		2	9419006					0782	50							3.11																													
0400AA	WA LR		2	103319					0782	50							3.13																													
0410AA	ICE MUT		2	693207					0782	43			0000430105				3.15																													
0420AA	ADAPTER		1	693123					0752	68			0000680110				3.17																													
0430AA	MUT 95:145 IN LB		1	9422275					0752	68							3.19																													
0440AA	PIN		1	103372					0752	68							3.21																													
0450AA	ROD CONT RLY		1	712157					0752	68			0000680115				3.23																													
0460AA	CLAMP		1	1385607					0752	68			0000680120				3.25																													
0470AA	SCREW		1	3989433					0752	68							3.27																													
0470AA	17:23 FT LBS								0752	68							3.28																													
0480AA	WASHER		1	3989434					0752	68							3.30																													
0490AA	WASHER		1	9418304					0752	68							3.32																													
0500AA	GREASE		*	9985009					0752	68							3.34																													
0510AA	LUBRICANT		*	9985009					0752	68							3.34																													
<table border="1" style="width:100%; border-collapse: collapse;"> <tr> <td style="width:20%;"></td> <td style="width:20%;"></td> <td style="width:20%; text-align: center;">7E0500</td> <td style="width:20%;"></td> <td style="width:20%; text-align: right;">MODEL YEAR 1976</td> </tr> <tr> <td></td> <td></td> <td></td> <td></td> <td style="text-align: right;">ORIGIN DATE 770728</td> </tr> <tr> <td></td> <td></td> <td></td> <td></td> <td style="text-align: right;">LAST CHG. DATE</td> </tr> <tr> <td></td> <td></td> <td></td> <td></td> <td style="text-align: right;">LAST CHG. CODE</td> </tr> <tr> <td></td> <td></td> <td></td> <td></td> <td style="text-align: right;">70 7A A 3</td> </tr> <tr> <td></td> <td></td> <td></td> <td></td> <td style="text-align: right;">BK U. P. C. GMP PAGE</td> </tr> </table>																			7E0500		MODEL YEAR 1976					ORIGIN DATE 770728					LAST CHG. DATE					LAST CHG. CODE					70 7A A 3					BK U. P. C. GMP PAGE
		7E0500		MODEL YEAR 1976																																										
				ORIGIN DATE 770728																																										
				LAST CHG. DATE																																										
				LAST CHG. CODE																																										
				70 7A A 3																																										
				BK U. P. C. GMP PAGE																																										

F M V S S

REFERENCE

UPC DESCRIPTION

MODEL APPLICATION
TRANS EXTERNAL CONTROLS



PRODUCT DESCRIPTION MANUAL

ASSEMBLY INFORMATION

GMT 1081 REV 8/78

GENL TRUCK & COACH

ITEM	PART OR TOOL DESCRIPTION	ADD'L DATA	QTY	PART NUMBER	ENGINE CODES	SERIES	BODY BRN	ITEM RESTRICTION	DEPARTMENTS		CHANGE		LOGIC CODE	FUNCTION CODE	ADDITIONAL CODES	LINE NOS
									#1	2/61A	CD	AUTH				
AA01AA	ENGL TRANS MT	INST	*	L3414					0752						99501	1.8
AA02AA	ENGL TRANS MT	INST	*	L3594					0752						99501	1.10
AA03AA	LUB CHT INSTL		*	M010298					0752						99504	1.12
0010AA	BOLT, TRANS-F-W		3	3987930					0752	62					00100	1.14
0020AA	PLUG, TRANS CASE		1	390042					0752	62					00200	1.16
0030AA	COVER, FLYWHL		1	389750					0752	62		0000620435			M00300	1.18
0040AA	BOLT, HSG-TRANS		4	188125					0752	62					00400	1.20
0050AA	FLUID, AUTO TRANS		*	9985252					0752	74					00750	1.22

1 2 3 4 5 6 7 8 9 10	ZE05000										MODEL YEAR 1978					
											ORIGIN DATE 770819					
											LAST CHG. DATE 770929					
											LAST CHG. CODE					
MODEL APPLICATION										70 7B2A A 1						
TRANS CASE, F/W HSGERR BRG RETNR										BK U. P. C. QRP PAGE						
UPC DESCRIPTION																
REFERENCE																



PRODUCT DESCRIPTION MANUAL

ASSEMBLY INFORMATION

GMT 1061 REV. 5/78

GM TRUCK & COACH

ITEM #	E	PART OR TOOL DESCRIPTION	ADD'L DATA	QTY	PART NUMBER	ENGINE CODES	SERIES	BODY DRG	ITEM RESTRICTION	DEPARTMENTS		CHANGE		LOGIC CODE	FUNCTION CODE	ADDITIONAL CODES	LINE NOS
										#1	2/STA	CD	AUTH				
AA02014		TERM INSTAL & GRDG			MD83876					0752							1.8
AA02024										0752							1.9
AA03014		403 ENG ACSRY INSTL			L8448					0752							1.11
AA03024										0752							1.12
00100AM		PIPE ASM FEED		1	2017900					0752	62			0000620440			1.14
00200AM		PIPE ASM RETN		1	2017898					0752	62			0000620445			1.21
00300AM		LOOM RETN PIPE		2	2275910					0752	62			0000620450			1.23
00400AM		LOOM RETN PIPE		2	2275910					0752	62			0000620455			1.25
00500AM		CLIP		1	2307318					0752	62			0000620460			1.27
00600AM		CLIP		1	711238					0752	69			0000690100			1.29
00700AM		SCREW		1	9419727					0752	89						1.31

ZE06X00

MODEL YEAR 1978
 ORIGIN DATE 770728
 LAST CHG. DATE 770929
 LAST CHG. CODE

MODEL APPLICATION
 TRANS OIL COOLING SYSTEM
 UPC DESCRIPTION

70 786 A 1
 BK. V. P. C. SHIP PAGE

REFERENCE

F M V B B

PRODUCT DESCRIPTION MANUAL

ASSEMBLY INFORMATION

DMT 1081 REV. 9/78

ENGINE TRUCK & COACH

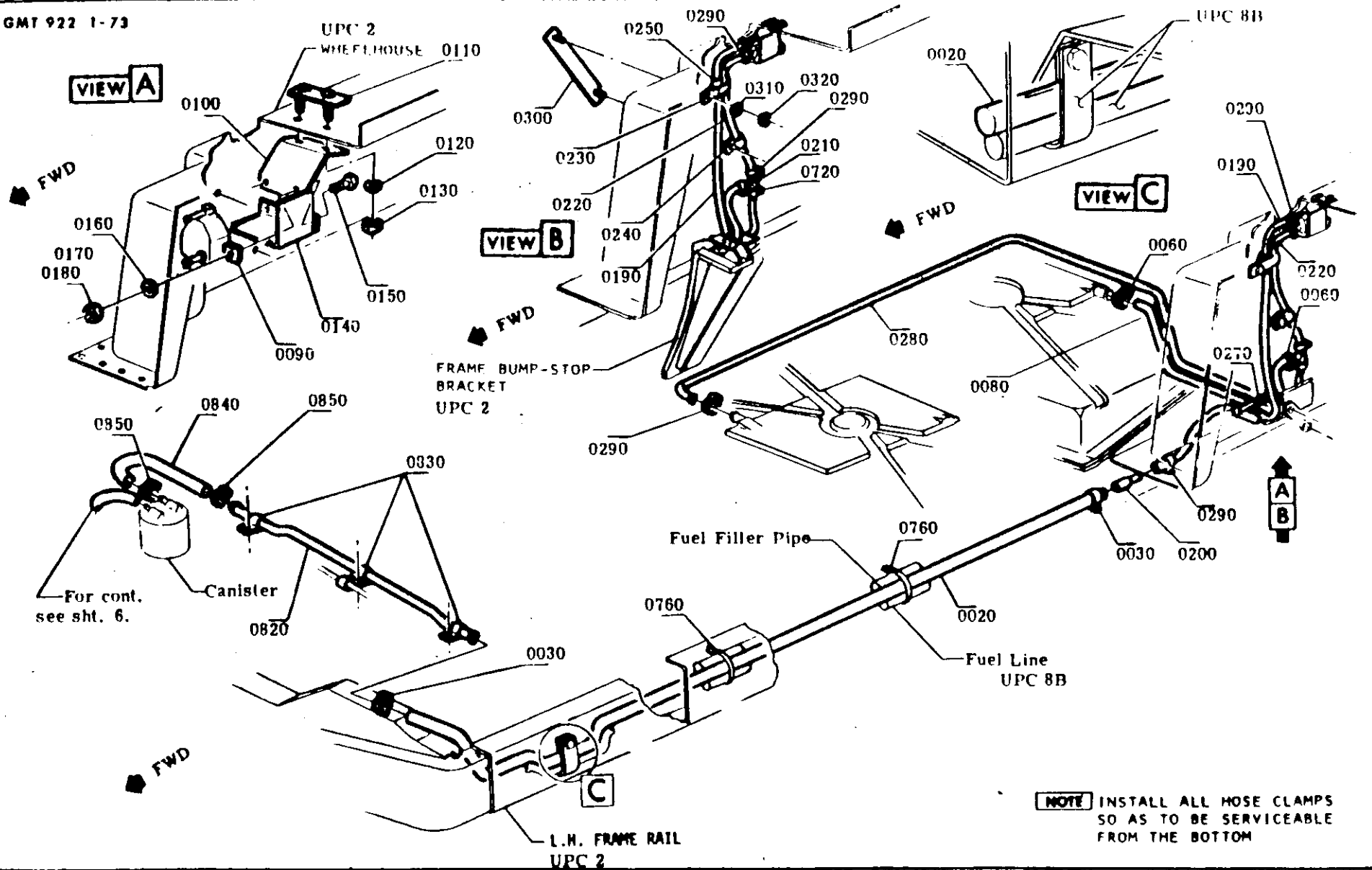
ITEM	SEQ	PART OR TOOL DESCRIPTION	ADD'L DATA	QTY	PART NUMBER	ENGINE CODES	SERIES	BOX OR	ITEM RESTRICTION	DEPARTMENTS		CHANGE		LOGIC CODE	PART. FROM CODE	ADDITIONAL CODES	LTA	LINE NOS			
										1	2/STA	CD	AUTH								
		EMISSIONS CAT. 2 FUEL SYSTEM																1.9			
		DUE CARE MUST BE EXERCISED BY PERSONNEL INVOLVED IN THE HANDLING AND INSTALLATION OF THE FUEL SYSTEM TO AVOID DAMAGE AND TO ASSURE CORRECT AND SECURE INSTALLATION WITH NO LEAKS WHICH COULD AFFECT THE EMISSIONS COMPLIANCE OF THE VEHICLE.																			
		PROCESS DOCUMENTATION:																	1.32		
		THIS PROCESS UTILIZES STANDARD TOOLS AND EQUIPMENT OF WHICH THE CAPABILITIES ARE WELL ESTABLISHED.																			
		APPROVED BY:	<i>James E. Pugh</i>																		1.37
		DATE:	9/15/77																		1.39

EMISSIONS CAT. 2 FUEL SYSTEM	1977 PRODUCTION	ZEO5XXX	MODEL YEAR 1978
	REFERENCE	MODEL APPLICATION FUEL SYSTEM	ORIGIN DATE 9-2-77
		UPC DESCRIPTION	LAST CHG. DATE
			LAST CHG. CODE
			TO 8 S1 1
			BY U. P. C. SW PAGE



□ ITEM REFERENCE ◇ PROCESS MATERIAL ▲ TORQUE ▣ PART OF OR EXISTING

GMT 922 1-73



BY (Author) - LBS	DATE	SYN	REVISION	AUTH	DR	CS	DEPARTMENTS
▲	2-77		ORIGINAL RELEASE	4700			THOMPSON
▲							
▲							
▲							
▲							

70 TRUCK	BOOK 70
TITLE VENT HOSE	
FROM FUEL TK. MTG. & TANK GAGE UNIT	INVENTORY 8A
	PAGE 7

LT	PART OR TOOL DESCRIPTION	ADDL DATA	QTY	PART NUMBER	M.O.D.	ENGINE CODES	SW RHC	BOY RHC	ITEM RESTRICTION	DEPARTMENTS		CHANGE AUTH	LOGIC CODE	FUNCTION CODE	ADDITIONAL CODES	NA	LINE NOS
										#	STA						
AAC1024	FUEL SYS PRESS			* MD11701						0784							1.8
AAL1024	TEST INSTAL									0784							1.9
AAU024	VENT HOSE INSTAL			* L4275						0784							1.1
AAV024	FUEL TANK			* L5943						0784							1.1
AAU024	AIR LINES/RR			* L6605						0784							1.15
AAL024	SUSP INSTAL									0784							1.16
AAU5024	FUEL SYS PRESS			* MD11701						0754							1.18
AAL5024	TEST INSTAL									0754							1.18
AAU024	VENT HOSE INSTAL			* L4275						0754							1.21
AAL7024	FUEL TANK			* L5943						0754							1.23
AAU7024	AIR LINES/RR			* L6605						0754							1.24
AAL7024	SUSP INSTAL									0754							1.26
AAU024	FUEL SYS PRESS			* MD11701						0752							1.20
AAL024	TEST INSTAL									0752							1.29
AAU024	VENT HOSE INSTAL			* L4275						0752							1.31
AAU024	FUEL TANK			* L5943						0752							1.33
AAU024	AIR LINES/RR			* L6605						0752							1.35
AAL024	SUSP INSTAL									0752							1.36

1 2 3 4 5 F.M.V.B.	REFERENCE	ZE05000	MODEL YEAR 1978
			ORIGIN DATE
			LAST CHG. DATE
			LAST CHG. CODE
		MODEL APPLICATION FUEL TANK MOUNTING & TANK GAGE UNIT UPC DESCRIPTION	70 8A A 1 BK V. P. C. QM PAGE

PRODUCT DESCRIPTION MANUAL

ASSEMBLY INFORMATION

GMT 1081 REV. 8/78

GMC TRUCK & COACH

ITEM	QTY	PART OR TOOL DESCRIPTION	ADD L DATA	QTY	PART NUMBER	ENGINE CODES	SERIES	BODY BRK	ITEM RESTRICTION	DEPARTMENT		CHANGE		LOGIC CODE	FUNCTION CODE	ADDITIONAL CODES	FNA	LINE NOS
										#1	2/STA	CD	AUTH					
0010AA		FUEL TANK FRT		1	695642					0752	79			0000	790005			1.38
0020AA		HOSE PIPE FRT		1	9436230					0752	77			0000	770100			1.40
0030AA		CLAMP ASM		2	2494772					0752	77			0000	770105			1.42
0040AA		CLIP		1	120523					0752	77			0000	770110			1.44
0050AA		SCREW		1	9420695					0752	77							1.46
0060AA		CLAMP ASM		2	2494772					0752	77			0000	770115			1.48
0070AA		FUEL TANK RR		1	698779					0752	79			0000	790010			1.50
0080AA		HS R/TR-STND PP		1	9432846					0752	77			0000	770120			1.52
0090AA		SEPARATOR ASM		1	7028035					0752	77			0000	770125			1.54
0100AA		BRKT LOD MTG		1	718122					0752	77			0000	770130			1.56
0110AA		PLT LOD BRKT MTG		1	694606					0784	65			0000	655130			1.58
0120AA		WASHER		2	9419892					0754	87							2.1
0130AA		NUT		2	9422275					0754	87							2.3
0140AA		SHIELD		1	717417					0752	77			0000	770135			2.5
0150AA		SCREW		2	9413575					0752	77							2.7
0160AA		WASHER		2	9419892					0752	77							2.9
0170AA		WA LK		2	125774					0752	77							2.11
0180AA		NUT		2	121743					0752	77							2.13
0190AA		HS LOD SEP-CAN		1	9432754					0752	77			0000	770140			2.15
0200AA		UNION		1	1099429					0752	77			0000	770145			2.17
0210AA		TEE		1	327220					0752	77			0000	770150			2.19
0220AA		HS TEE-REP		1	9432815					0752	77			0000	770155			2.21
0230AA		CLIP		1	2390135					0754	87			0000	870080			2.23
0240AA		CLIP		1	2381321					0754	87			0000	870085			2.25

	7E0 5000	MODEL YEAR 1978
	MODEL APPLICATION	ORIGIN DATE
	FUEL TANK MOUNTING & TANK GAGE UNIT	LAST CHG. DATE
	UPC DESCRIPTION	LAST CHG. CODE
		70 PA A 2
		BK U. P. C. GPP PAGE

1003485-

QTY	PART OR TOOL DESCRIPTION	ADDITIONAL DATA	PART NUMBER	ENGINE CODES	REV	PKY	ITEM DESCRIPTION	QTY	UNIT	ORIGIN	DATE	CHG CODE	REVISION
1	HOOD		2261661					0754	18				
1	SHIELD VENT HSL		115060					0752	17			000075006	
1	STRAP		0811979					0752	17			0000100160	
1	HOSE		9434231		65			0752	17			0000170165	
1	HOSE		9434230		60			0752	17			0000170160	
2	CLAMP ASM		2496112					0752	17			0000170170	
1	PLATE ASM		705649					0752	65			000055315	
2	WASHER		103319					0754	17				
2	NUT		9419912					0754	17				
2	BRKT ASM		701381					0752	79			0000720035	
6	BOLT		9418822					0752	79				
6	WASHER		103320					0752	79				
4	STRAP ASM		695648					0752	79			0000720020	
4	BOLT		701319					0752	79				
4	WASHER		103321					0752	79				
4	NUT		9437796					0752	79		01320		
4	RIVET		452193					0752	79				
2	SCREW ASM		6429128					0752	79			0000720020	
8	CONPLUNG		0860775					0752	79				
2	PAN		413899					0752	79			0000720030	
2	GASKET		3093116					0752	79			0000720035	
1	NECK ASM		717958					0762	41			0000410232	
1	PAN WRAP		657558					0754	17			000060006	
1	GASKET		720017					0762	41			0000410235	
1	SEAL		719206					0762	41			0000410240	

1													
2													
3													
4													
5													
6													
7													
8													
9													
10													
11													
12													
13													
14													
15													
16													
17													
18													
19													
20													
21													
22													
23													
24													
25													
26													
27													
28													
29													
30													
31													
32													
33													
34													
35													
36													
37													
38													
39													
40													
41													
42													
43													
44													
45													
46													
47													
48													
49													
50													
51													
52													
53													
54													
55													
56													
57													
58													
59													
60													
61													
62													
63													
64													
65													
66													
67													
68													
69													
70													
71													
72													
73													
74													
75													
76													
77													
78													
79													
80													
81													
82													
83													
84													
85													
86													
87													
88													
89													
90													
91													
92													
93													
94													
95													
96													
97													
98													
99													
100													

2E05000

MODEL YEAR IS 71
 ORIGIN DATE 1707.5
 LAST CHG. DATE 171008
 LAST CHG. CODE 01000
 70 LA A 3
 BK. U. P. C. GHP PAGE

MODEL APPLICATION
 FUEL TANK MOUNTING & TANK GAGE UNIT
 UPC DESCRIPTION

REFERENCE

ITEM	SEQ	QTY	PART OR TOOL DESCRIPTION	ADD'L DATA	QTY	PART NUMBER	QTY	ENGINE CODES	SERIES	BODY BRK	ITEM RESTRICTION	DEPARTMENTS		CHANGE		LOGIC CODE	FUNCTION CODE	ADDITIONAL CODES	FNA	REF NOS	
												#1	2/STA	CD	AUTH						
0490AA			ADHESIVE			9981098						0782	41								3.1
0500AA			PIVET			716846						0782	41								3.1
0510AA			STRAP			676543						0782	41			0000	410245				3.2
0520AA			CLIP			667638						0782	41			0000	410250				3.2
0530AA			SPACER			3956971						0782	41			0000	410255				3.2
0540AA			WASHER			3767139						0782	41								3.2
0550AA			SCREW			9422176						0782	41								3.2
0560AA			CLAMP ASM			2494772						0782	41			0000	410260				3.3
0570AA			TUBE ASM			717957		65				0752	77			0000	770175				3.3
0570AC			TUBE ASM			717956		60				0752	77			0000	770175				3.3
0580AA			ELBOW			717952						0752	77			0000	770180				3.3
0590AA			CLAMP ASM			2337379						0752	77			0000	770185				3.3
0600AA			BRACKET			717953		65				0752	77			0000	770190				3.4
0600AC			BRACKET			717953		60				0752	77			0000	770190				3.4
0610AA			SCREW			9422232		65				0752	77								3.4
0610AC			SCREW			9422232		60				0752	77								3.4
0620AA			HOSE			717954						0782	41			0000	410265				3.4
0630AA			CLAMP ASM			2337379						0782	41			0000	410270				3.4
0640AA			CLAMP ASM			2471945		65				0752	77			0000	770195				3.5
0640AC			CLAMP ASM			2471945		60				0752	77			0000	770195				3.5
0650AA			ELBOW			717979						0752	77			0000	770200				3.5
0660AA			CLAMP ASM			2337379						0752	77			0000	770205				3.5
0670AA			MS LIMITER RR			9432933						0752	77			0000	770210				3.5
0680AA			CLAMP ASM			2494772						0752	77			0000	770215				3.5
0690AA			STRAP			8877976						0752	77			0000	770220				4.6
0700AA			MS LIMITER FRT			9432930						0752	77			0000	770225				4.6
0710AA			STRAP			8877976						0752	77			0000	770230				4.6

7E0 5000

MODEL APPLICATION
FUEL TANK MOUNTING & TANK GAGE UNIT
UPC DESCRIPTION

MODEL YEAR 197E
ORIGIN DATE
LAST CHG. DATE
LAST CHG. CODE
70 PA A 4
BK U. P. C. GRP PAGE



ITEM NO.	PART OR TOOL DESCRIPTION	ADD'L DATA	QTY	PART NUMBER	A.O.D.	ENGINE CODES	SERIES	BODY BRK	ITEM RESTRICTION	DEPARTMENTS		CHANGE CD	AUTH	LOGIC CODE	FUNCTION CODE	ADDITIONAL CODES	LINE NOS
										ST	2/STA						
0720AA	CLAMP ASM		2	2494772						0752	77			0000	770235	M	4.8
0730AA	MS LIMITER FRT		1	9436489						0752	77			0000	770240	M	4.10
0740AA	CLAMP ASM		2	2484908						0752	77			0000	770245	M	4.12
0750AA	TR LIMITER		1	796688			65			0752	77			0000	770250	M	4.14
0750AC	TR LIMITER		1	796689			60			0752	77			0000	770250	M	4.15
0760AA	STRAP		3	8877974			65			0752	77			0000	770255	M	4.17
0760AC	STRAP		2	8877974			60			0752	77			0000	770255	M	4.18
0770AA	CLIP		1	674904						0752	77			0000	770260	M04995	4.20
0780AA	BOLT		1	9419004						0752	77					05000	4.22
0790AA	NUT		1	271178						0752	77					05005	4.24
0800AA	STRAP		11	878543						0752	77			0000	770265	M05010	4.26
0810AA	CANNISTER, VAPOR		1	7078131				-NA9		0752	67	60398	70056	70180		M05015	4.28
0820AA	TS V/CAN-F/TNK		1	899789						0752	67			0000	670185	M05020	4.30
0830AA	CLIP		3	2436115						0752	67			0000	670190	M05025	4.32
0840AA	HC V/CAN TE		1	9412814				-NA9		0752	67			70056	670195	M05030	4.34
0850AA	CLAMP ASM		2	2494772						0752	67			0000	670200	M05035	4.36
0860AA	BRKT VAPOR CAN		1	408174						0752	67			0000	670205	M05040	4.38
0870AA	BRKT V/CAN MFG		1	699055						0752	67			0000	670210	M05045	4.40
0880AA	SCREW		2	9422232						0752	67					05050	4.42
0890AA	MS VAP CAN-CLAMP		1	9432184				-NA9		0752	62			70056	620280	M05055	4.44
0900AA	CLAMP ASM		2	3786275						0752	62	03743	0000	620285		M05060	4.46
0910AA	STRAP		5	857558						0752	62	03743	0000	620290		M05065	4.48
0920AA	CLIP		1	2485151						0752	77			0000	770267	M05080	4.50
0930AA	BOLT		1	9419004						0752	77					05082	4.52
0960AA	BOLT		2	9417950						0752	77					05084	4.54

ZE05000

MODEL YEAR 1978
 ORIGIN DATE 770725
 LAST CHG. DATE 70920
 LAST CHG. CODE 743

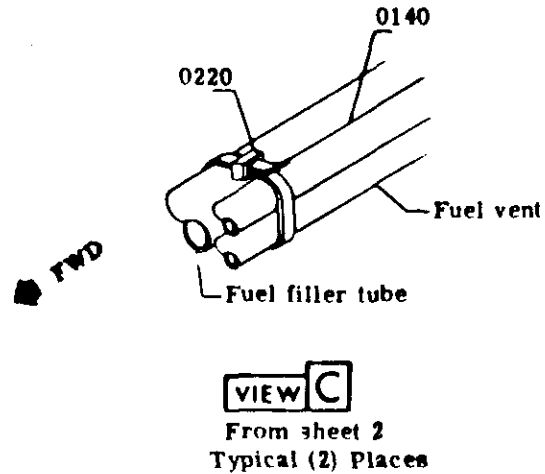
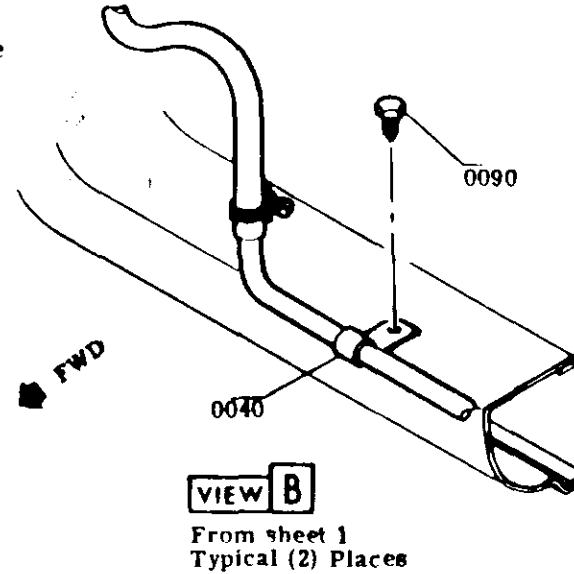
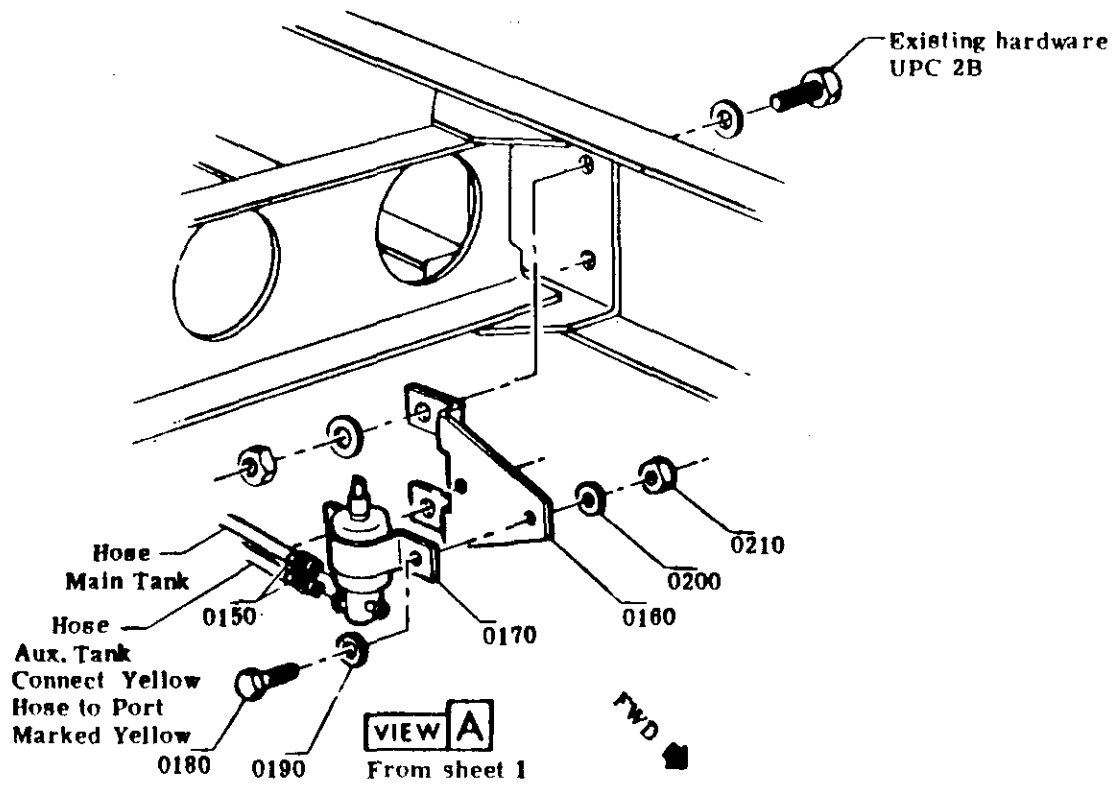
MODEL APPLICATION
 FUEL TANK MOUNTING & TANK GAGE UNIT

70 BA A 5
 GM, M, P, G, RHP PAGE



□ ITEM REFERENCE ◇ PROCESS MATERIAL △ TORQUE ▣ PART OF OR EXISTING

GMT 922 1-73



BY (Maker) - LBS	DATE	STN	REVISION	APPR	DR	CR	DEPARTMENTS
△	2/77		ORIGINAL RELEASE	42800			THOMPSON
△							
△							
△							
△							

78 TRUCK		BOOK 70	
TITLE FUEL LINES & SELECTOR VALVE			
LINE	QUANTITY	SHEET	
FUEL LINES	88	3	



ITEM	E.O.	PART OR TOOL DESCRIPTION	ADD'L DATA	QTY	PART NUMBER	ENGINE CODES	SERIES	REV	ITEM RESTRICTION	DEPARTMENTS		CHANGE		LOGIC CODE	FUNCTION CODE	ADDITIONAL CODES	LINE NOS
										#1	2,51A	CD	AUTH				
0001AA		FUEL HOSE TO			U5687					0752							1.8
0001AB		FILL PIPE INSTAL								0752							1.9
0001BA		FUEL TANK			U5943					0752							1.11
0001CA		FUEL SYS PRESS			MD11701					0752							1.12
0001CB		TEST INSTAL								0752							1.14
0010AA		HOSE FUEL PMP		1	9432908					0752	62			0000620300			1.24
0020AA		CLAMP HOSE		2	2494772					0752	62			0000620305			1.26
0030AA		TUBE FUEL		1	717980					0752	67			0000670230			1.28
0040AA		CLIP TUBE		5	2485150					0752	67						1.30
0050AA		BRKT FRT S/R/L		1	717955					0752	77	CORR		0000770272			1.32
0060AA		SCREW		2	9422232					0752	77						1.34
0070AA		BULT		1	9419004					0752	77						1.36
0080AA		NUT		1	271178					0752	77						1.38
0090AA		SCREW		3	9420415					0752	67						1.40
0100AA		HS SEL VLV-FR TB		1	9432958		65			0752	77			0000770270			1.42
0100AC		HS SEL VLV-FR TB		1	9432946		60			0752	77			0000770270			1.43
0110AA		CLAMP		2	2494772					0752	77			0000770275			1.45
0120AA		CLIP		1	681441					0752	77			0000770280			1.47

1 2 3 4 5 6 7 8 9 10 11 12	REFERENCE		ZE05000	MODEL YEAR 1978
			MODEL APPLICATION	ORIGIN DATE 770729
			FUEL LINES	LAST CHG. DATE 770929
			UPC DESCRIPTION	LAST CHG. CODE CORR
			70 8B A 1	
			PK U. P. C. 988 PAGES	

ITEM	PART OR TOOL DESCRIPTION	ADD L DATA	QTY	PART NUMBER	ENGINE CODES	SERIES	BODY BRN	ITEM RESTRICTION	DEPARTMENTS		CHANGE		LOGIC CODE	FUNCTION CODE	ADDITIONAL CODES	LINE NOS
									#1	2/51A	CD	AUTH				
0130AA	HC FRT SEL VLV		1	70534					0752	77			0000	770285		1.49
0140AA	HC RT SEL VLV		1	943307					0752	77			0000	770290		1.51
0150AA	FLAMP		4	249477					0752	77			0000	770295		1.53
0160AA	PRKT SEL VLV MTC		1	70075					0752	77			0000	750070		1.55
0170AA	VALVE SEL		7	A00904					0752	77			0000	770300		1.57
0180AA	BOLT		7	180019					0752	77						1.59
0190AA	WASHER		7	170302					0752	77						2.2
0200AA	WA LR		2	121753					0752	77						2.4
0210AA	NUT		7	132851					0752	77						2.6
0220AA	SYNDR ASM		4	67857					0752	77			0000	770305		2.8
0230AA	SYNDR ASM		3	67754					0752	77			0000	770310		2.10

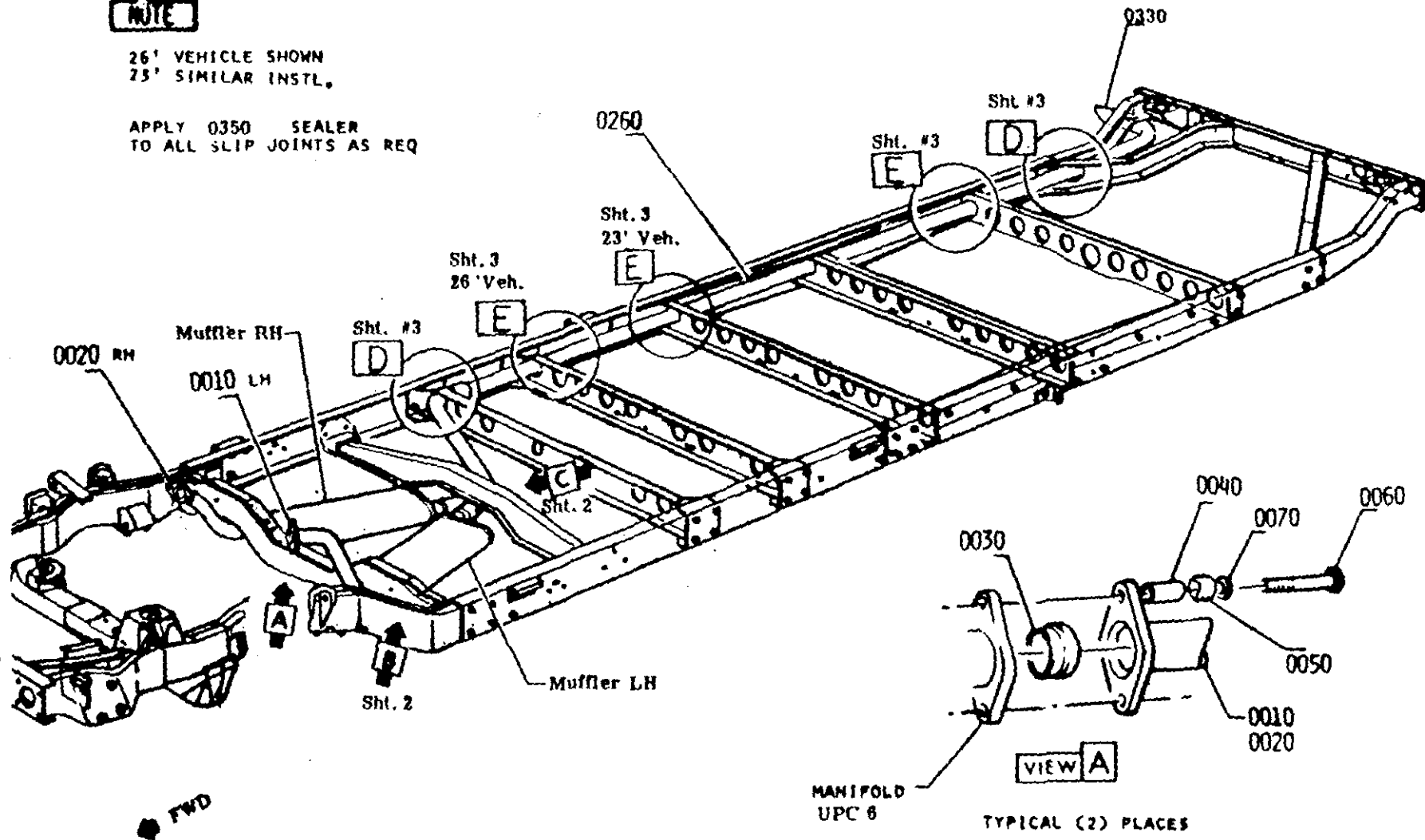
F.M.V.S.S.	REFERENCE	7505000	MODEL YEAR 1978
		MODEL APPLICATION	ORIGIN DATE 770729
		FUEL LINES	LAST CHG. DATE
		UPC DESCRIPTION	LAST CHG. CODE
			70 88 A 2
			BK U. P. C. GMP PAGE

GMT 922 1-73

NOTE

26' VEHICLE SHOWN
25' SIMILAR INSTL.

APPLY 0350 SEALER
TO ALL SLIP JOINTS AS REQ



DATE	BY	REVISION	APPROV	DO	EE	REVISION
6/20/73		REVISION 0010		17000	1/73	TAMPSON

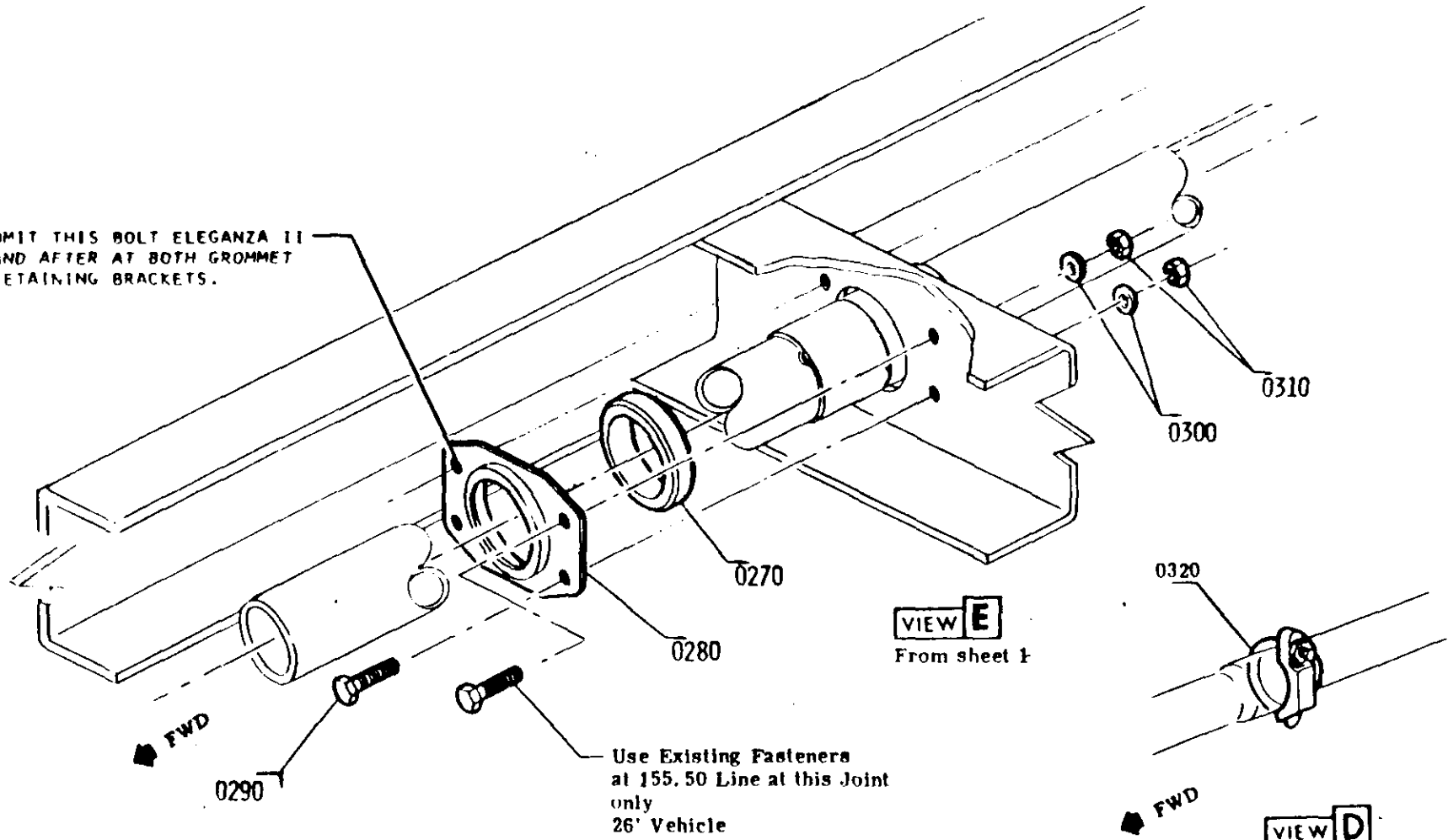
TRUCK **BOOK 70**

TITLE
EXHAUST & TAIL PIPE

EXHAUST PIPE MUFF. & TAILPIPE **OC** SHEET **1**

GMT 922 73

OMIT THIS BOLT ELEGANZA II
AND AFTER AT BOTH GROMMET
RETAINING BRACKETS.



VIEW E
From sheet 1

VIEW D
Typical (2) places
From sheet 1

DYNAMIC (Installation) - LBS	HAND (Inspection) - LBS	DATE	SYM	REVISION	AUTH	DR	LR	DEPARTMENTS	TRUCK	BOOK	
▲ ▲ ▲ ▲		6-27-77		ORIGINAL DESIGN	ATWOOD			THOMPSON	78	70	
									TITLE EXHAUST AT CROSSMEMBERS		
									EXHAUST PIPE MUFF. & TAILPIPE	8C	3



PRODUCT DESCRIPTION MANUAL

ASSEMBLY INFORMATION

GMT 1061 REV. 5/75

ITEM	E	Q	PART OR TOOL DESCRIPTION	ADD'L DATA	QTY	PART NUMBER	M.O.D.	ENGINE CODES	SERIES	REV. BRK	ITEM RESTRICTION	DEPARTMENTS		CHANGE		LOGIC CODE	FUNCTION CODE	ADDITIONAL CODES	LINE NOS	
												#1	2/STA	CD	AUTH					
AAC1012			EXHAUST INST			18452						0752								1.8
0010AA			EXH PP FRT LH		1	2015467						0752	64			0000640030				1.1
0020AA			EXH PP FRT RH		1	2015468						0752	64			0000640035				1.1
0030AA			SEAL MANIF		2	387897						0752	64			0000640040				1.2
0040AA			SPACER ANIF		4	587574						0752	64			0000640045				1.2
0050AA			SPRING ANIF		4	587575						0752	64			0000640050				1.2
0060AA			BOLT MANIF		4	9418995						0752	64							1.2
0070AA			WASHER MANIF		4	120394						0752	64							1.2
0080AA			CLAMP EXH & MUF		2	884169						0752	78			0000780170				1.3
0090AA			MUFFLER LH		1	411458						0752	78			0000780175				1.3
0100AA			MUFFLER RH		1	411458						0752	78			0000780180				1.3
0110AA			CLAMP EXH & MUF		2	884169						0752	78			0000780185				1.3
0120AA			PIPE TAIL FRT		1	893153						0752	78			0000780190				1.3
0130AA			BRKT PIPE MTG		1	892363						0752	77			0000770315				1.4
0140AA			BOLT BRKT XMBR		4	9419004						0752	77	*						1.4
0150AA			WA LK		4	103319						0752	77	*						1.4
0160AA			NUT		4	9419912						0752	77	*						1.4
0170AA			INSUL MUFF BRKT		1	893145						0752	78			0000780195				1.4

1 2 3 4 5 F.M.V.S.S.	ZE05000											MODEL YEAR 1978							
												ORIGIN DATE 770729							
												LAST CHG. DATE 770929							
												LAST CHG. CODE							
												70 BC A 1							
REFERENCE											BK. U. P. C. 9MP PAGE								
MODEL APPLICATION											EXHAUST PIPE, MUFFLER & MUFFLER TAIL PIPE								
UPC DESCRIPTION																			



PRODUCT DESCRIPTION MANUAL

ASSEMBLY INFORMATION

QNT 1061 REV 8/78

GENE TRENK & COACH

ITEM	PART OR TOOL DESCRIPTION	ADD L DATA	QTY	PART NUMBER	ENGINE CODE	SERIES	REV	ITEM RESTRICTION	DEPARTMENTS			CHANGE AUTH	LOGIC CODE	FUNCTION CODE	ADDITIONAL CODES	LINE NOS
									#1	#2	#3					
001000	EXHAUST INCT			LR600					0752							1.0
001000	EXH 23 227 LH		1	2015467					0752	78		0000	780145			1.1
002000	EXH 23 227 RH		1	2015468					0752	78		0000	780150			1.1
003000	SEAL W/HTF		2	387897					0752	78		0000	780155			1.2
004000	SCAPER W/HTF		4	587574					0752	78		0000	780160			1.2
005000	SCREWER W/HTF		4	587574					0752	78		0000	780165			1.2
006000	W/HTF W/HTF		4	0218004					0752	78						1.2
007000	W/HTF W/HTF		4	120394					0752	78						1.2
008000	CLAMP EXH C MUF		2	684169					0752	78		0000	780170			1.3
009000	WHEEL 23 LH		1	411488					0752	78		0000	780175			1.3
010000	WHEEL 23 RH		1	411456					0752	78		0000	780180			1.3
011000	CLAMP EXH C MUF		2	684169					0752	78		0000	780185			1.3
012000	PIPE 23L 207		1	603113					0752	78		0000	780190			1.3
013000	FLY 2300 MTC		1	492763					0752	77		0000	770315			1.4
014000	FLY 2347 VMPR		4	9419004					0752	77						1.4
015000	W/HTF		4	103310					0752	77						1.4
016000	W/HTF		4	9419012					0752	77						1.4
017000	INSUL W/HTF BOX		1	603124					0752	78		0000	780195			1.4

2E05000

MODEL YEAR IS 78
 ORIGIN DATE 770729
 LAST CHG DATE
 LAST CHG CODE
 70 8C A 1
 BK U. P. C. GRP PAGE

MODEL APPLICATION
 EXHAUST PIPE, MUFFLER C MUFFLER TAIL PIPE
 UPC DESCRIPTION

F.M.V.S.S.

REFERENCE



PRODUCT DESCRIPTION MANUAL

ASSEMBLY INFORMATION

GMT 1081 REV 5/78

ITEM	QTY	PART OR TOOL DESCRIPTION	ADDL DATA	QTY	PART NUMBER	M O D	ENGINE CODES	SERIES	BOY BRK	ITEM RESTRICTION	DEPARTMENTS		CHANGE CD	LOGIC CODE	FUNCTION CODE	ADDITIONAL CODES	PNA	LINE NOS
											#1	2/STA						
0100AA		PLT MUFF PKT			603143						0752	75		0000	780200			1.5
0101AA		CLAMP U BCL			603144						0752	75		0000	780205			1.5
0102AA		NUT MTC PKT			0410032						0752	78						1.5
0200AA		WA MTC PKT			0410304						0752	75						1.5
0210AA		NUT			0422279						0752	78						1.5
0220AA		U BCLY ERT 1/P			2385669						0752	75		0000	780210			2.2
0230AA		WA ERT 1/P			103320						0752	78						2.4
0240AA		NUT BELT IN LF			0417084						0752	78						2.6
0260AA		PIPE INT TAIL			712309			60			0752	78		0000	780215			2.8
0260AA		PIPE INT TAIL			712310			65			0752	78		0000	780215			2.9
0270AA		CONNECT			712307						0752	78						2.1
0280AA		PKT BOW KEY			712306						0752	78		0000	780220			2.1
0290AA		NUT ERT			0410067						0752	78						2.1
0300AA		WASHER			0423043						0752	78						2.1
0310AA		NUT			0422277						0752	78						2.1
0320AA		CLAMP IN PKT			666134						0752	78		0000	780225			2.2
0330AA		PIPE NO TAIL			603146						0752	78		0000	780230			2.2
0340AA		MUFFLER 1/P PKT			603149						0752	78		0000	780235			2.2
0350AA		SEALED JOINT			0985020						0752	78						2.2

7805000

MODEL YEAR 1978
 ORIGIN DATE 770729
 LAST CHG DATE
 LAST CHG CODE

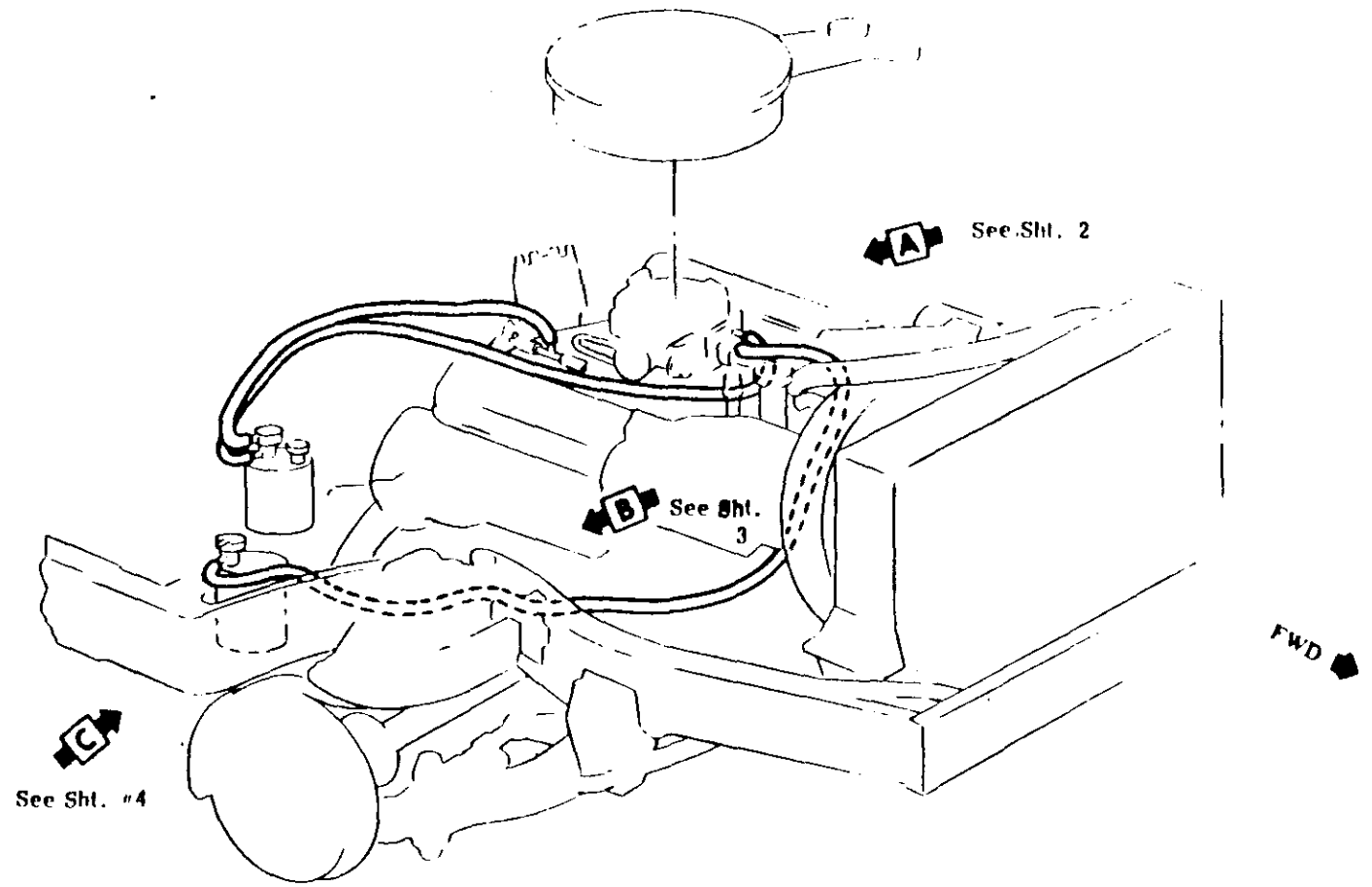
MODEL APPLICATION
 EXHAUST PIPE, MUFFLER & MUFFLER TAIL PIPE
 UPC DESCRIPTION

70 8C A 2
 BK U. P. C. GRP PAGE

FMVSS

REFERENCE

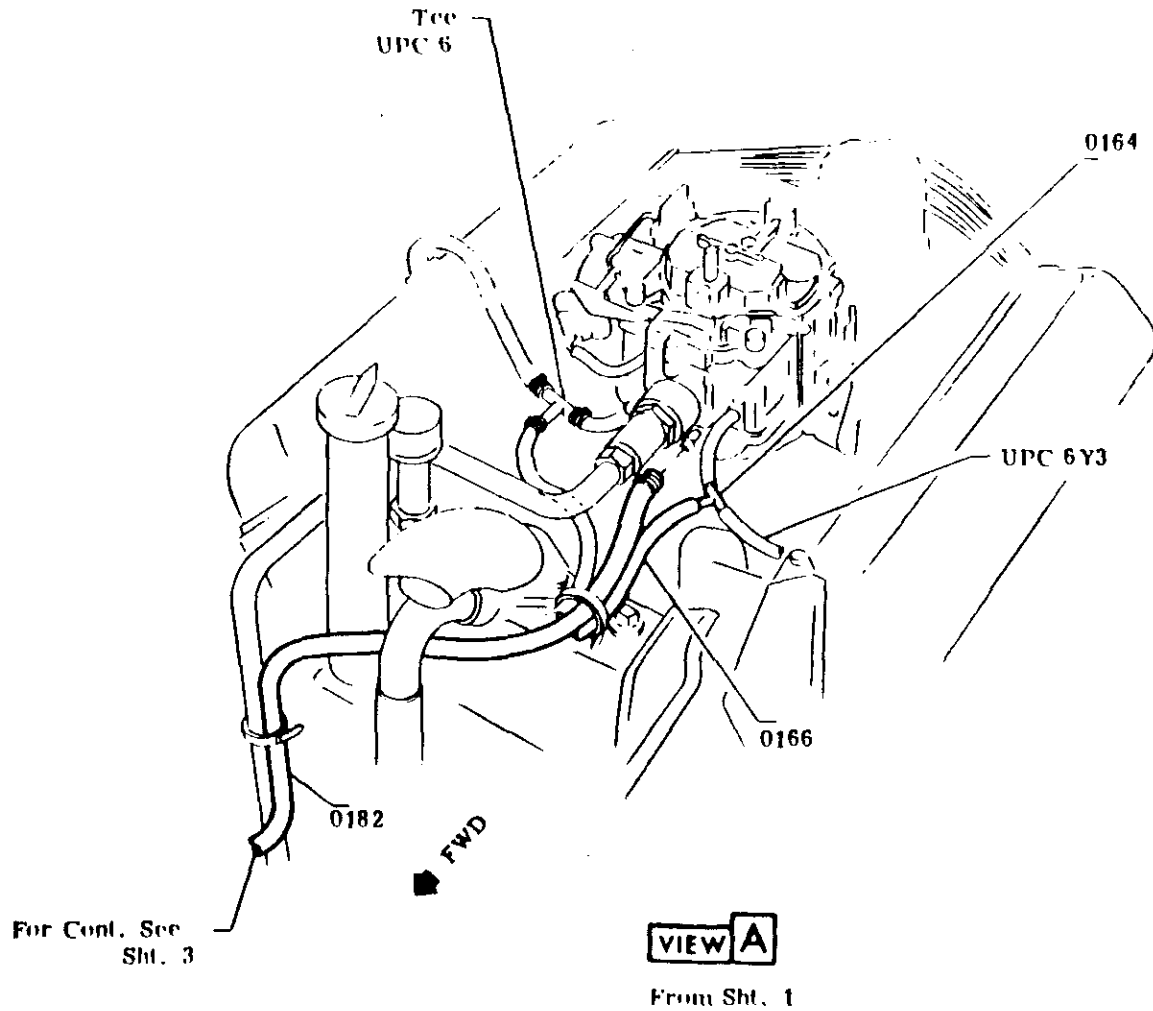
GMT 922 1/75



DATE	SYM	REVISION	AUTH	DR	CR	DEPARTMENTS	TITLE
11/3/77		ORIGINAL RELEASE	LDJ	JG			'78 TRUCK
							BOOK 70
							TUBE ROUTING
							RPO NA9
							NAME EVAP. EMIS. CONT. SYSTEM
							DIVISION/UPC 8D
							UNIT 1



GMT 922 1/73

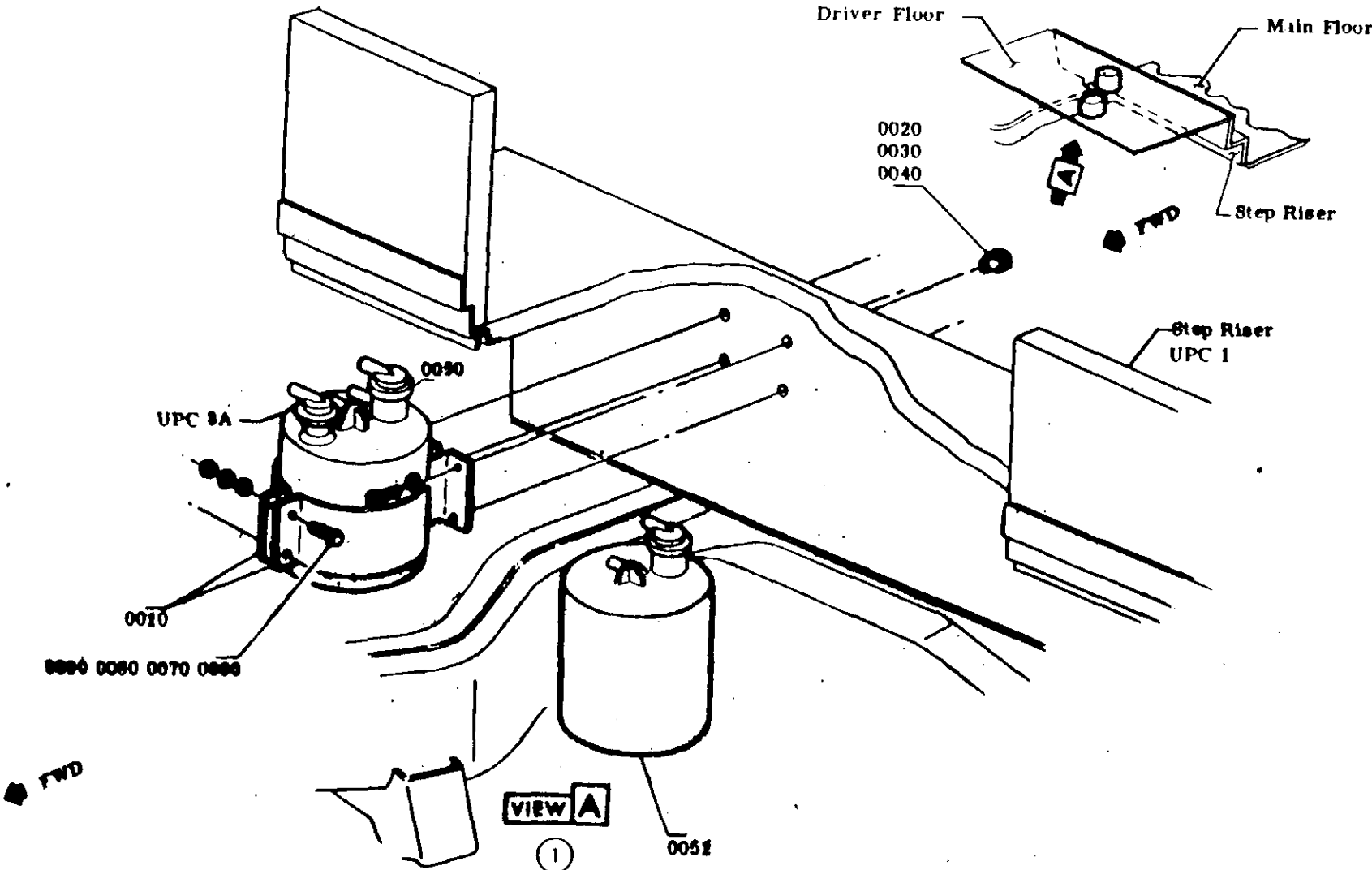


BY (Installation) - LPS	DATE	SYM	REVISION	AMT	DE	CR	DEPARTMENTS	TITLE
▲ ▲ ▲ ▲	2.77		ORIGINAL RELEASE	60379	TAP		'78 TRUCK	BOOK 70
								TUBE ROUTING RPO NA9
								NAME EVAP. EMISS. CONT SYSTEM
								DIVISION/UPC 8D
								SHEET 2



□ ITEM REFERENCE ◇ PROCESS MATERIAL ▲ TORQUE ▣ PART OF OR EXISTING

GMT 922 1-73



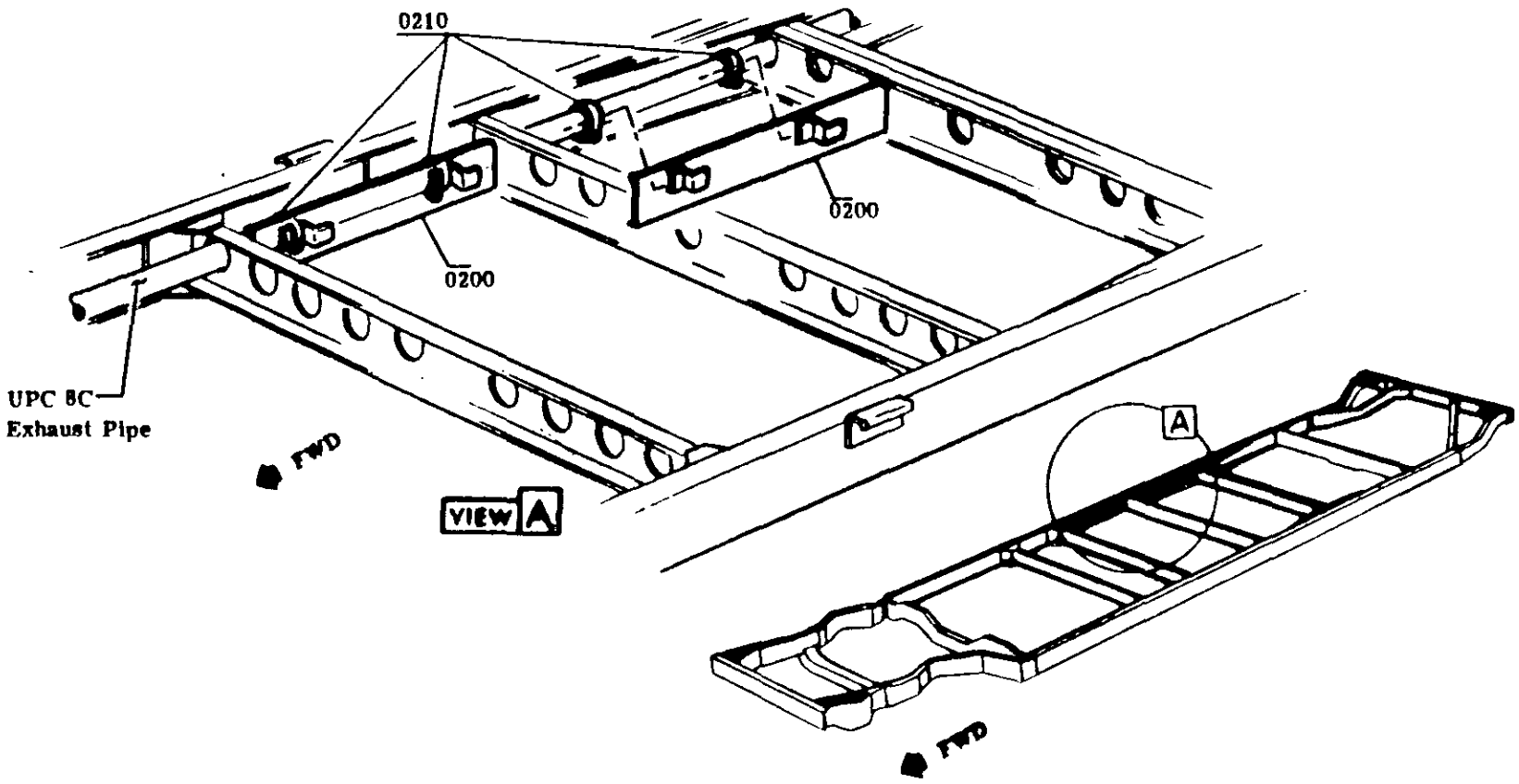
DATE	SYN	REVISION	APPR	DR	CR	DEPARTMENTS	TRUCK	BOOK
11/27/73		ORIGINAL RELEASE						
11/27/73	1	VIEW A REVISED TO DETAIL						

EVAPORATIVE EMISSION SYSTEM
 RPO NAB
 EVAP. EMISSION CONTROL SYSTEM



□ ITEM REFERENCE ◇ PROCESS MATERIAL △ WELD PART OF OR EXISTING

GMT 922 B/74



DATE	SYN	REVISION	AUTH	DR	CR	DEPARTMENTS	BOOK
11-27-77		DESIGNER RELEASE	17000	1/57		74 TRUCK	BOOK 70
11-3-77	1	REWORK & REDESIGN				TITLE	
		SHT 6, NAC, SHT 2				HEAT SHIELDS	
						RPO NAB	
						NAME EVAP.	DRYER/UPC
						EMIS. CONT.	80
						SYSTEM	8

△
△
△
△

QTY	PART OR TOOL DESCRIPTION	ADDL DATA	PART NUMBER	ENGINE CODES	APP. CODE	ITEM DESCRIPTION	UNIT OF MEASUREMENT	QTY PER ASSEMBLY	QTY PER ENGINE	QTY PER APP.	QTY PER UNIT	QTY PER ASSEMBLY	QTY PER ENGINE	QTY PER APP.	QTY PER UNIT
1	FUEL TANK L/O		13535			1A9		0100							
1	FUEL LINES INST		13937			1A9		0100							
1	VENT HOSE INST		14275			1A9		0100							
1	HEAT SHIELD		15142			1A9		0100							
1	FUEL TANK L/O		13535			1A9		0100							
1	FUEL LINES INST		13937			1A9		0102							
1	VENT HOSE INST		14275			1A9		0102							
1	HEAT SHIELD		15142			1A9		0102							
1	FUEL TANK L/O		13535			1A9		0104							
1	FUEL LINES INST		13937			1A9		0104							
1	VENT HOSE INST		14275			1A9		0104							
1	HEAT SHIELD		15142			1A9		0104							
1	FUEL TANK L/O		13535			1A9		0102							
1	VENT HOSE INST		14275			1A9		0102							
1	HEAT SHIELD		15142			1A9		0102							
2	HEAT EMIS CAN		705001			1A9		0102							
4	HEAT MTG BRKT		9419008			1A9		0102							
4	WALK		105319			1A9		0102							
4	WALK		693207			1A9		0102							
1	CANISTER EMIS		11706086			1A9		0102							
2	CANISTER EMIS		11705654			1A9		0102							
2	BOLT CAN/BRKT		9418992			1A9		0104							

ZE05000
 MODEL APPLICATION
 EVAPORATIVE EMISSION CONTROL SYSTEM
 UPC DESCRIPTION

MODEL YEAR 1979
 DESIGN DATE 11/79
 LAST ENG. DATE 11/10/80
 LAST CHG. CODE 3-83
 TO TO A 1
 BK U. P. C. SHEET PAGE

REFERENCE

PRODUCT DESCRIPTION MANUAL

ASSEMBLY INFORMATION

GMT 1061 REV. 9/75

GMC TRUCK & COACH

ITEM	PART OR TOOL DESCRIPTION	ADD'L DATA	QTY	PART NUMBER	ENGINE CODES	SERIES	HOY BRK	ITEM RESTRICTION	DEPARTMENTS		CHANGE		LOGIC CODE	FUNCTION CODE	ADDITIONAL CODES	PMA	LINE NOS
									#1	#2 STA	CD	AUTH					
	CAT. 3 STEERING SYSTEM																1.0
	DUE CARE MUST BE EXERCISED IN THE HANDLING AND INSTALLATION OF POWER STEERING & W/S WIPER HYDRAULIC SYSTEM.																1.10
	RECOMMENDED HOSE ASSEMBLY INSTALLATION PROCEDURE:																1.11
	A. NECESSARY PRECAUTION SHOULD BE TAKEN TO KEEP SYSTEM CLEAN & DRY.																1.13
	B. SEALING CAPS SHOULD BE REMOVED FROM SUB-ASSEMBLY JUST PRIOR TO FINAL ASSEMBLY.																1.15
	C. HOSE ASSEMBLIES MAY BE ASSEMBLED TO THE VEHICLE AS LOOSE PARTS OR PREASSEMBLED BEFORE THAT COMPONENT IS MOUNTED.																1.17
	D. SEQUENCE OF ASSEMBLY DOES NOT MATTER, HOWEVER, ROUTING PARAMETERS ARE IMPORTANT.																1.19
	E. HOSE ASSEMBLY NUTS SHOULD BE TIGHTENED TO SPECIFIED TORQUES.																1.20
	F. ALL FITTING MUST BE HELD WHILE TIGHTENING OR LOOSENING NUTS.																1.22
	RECOMMENDED HANDLING SPECIFICATIONS:																1.24
	A. HOSE ASSEMBLIES AND COMPONENTS, SHOULD INCLUDE SEALING CAPS AND BE HANDLED AND SHIPPED IN SUCH A MANNER AS TO AVOID THREAD DAMAGE IN THE FITTINGS AND TO AVOID BURS AND DINGS THAT MIGHT OTHERWISE CUT THE HOLES.																1.26
	B. PAINT SHOULD NOT BE PRESENT ON THREADS OF HOSE ASSEMBLIES THAT REQUIRE PAINT IDENTIFICATION.																1.28
	C. HOSE ASSEMBLIES MAY BE PREASSEMBLED TO THE OTHER ASSEMBLIES, BUT THOSE ASSEMBLIES SHOULD NOT BE CARRIED HANGING FROM THE HOSE ASSEMBLIES.																1.30
	D. WHEN POOR HOSE ASSEMBLY ROUTING EXIST, HOSE AND ASSEMBLIES SHOULD NOT BE SIMPLY BENT OR MUTILATED BY PULLING ON THEM BY HAND, TO CORRECT THE ROUTING. THIS IS BEST ACCOMPLISHED BY LOOSENING THE FITTINGS AND PROPERLY REPOSITIONING THE HOSE ASSEMBLY BEFORE RETIGHTENING NUTS.																1.32
	OPERATION																1.34
	A. THE COMPLETE SYSTEM SHOULD BE CHECKED TO ASSURE THAT HOSE ASSEMBLIES SHOULD NOT TOUCH OR BEAR ON ANY OBJECT EITHER AT REST OR IN OPERATION, AND ADEQUATE CLEARANCE SHOULD EXIST.																1.36
	B. THE HOSES SHOULD NOT BE TWISTED, KINKED OR TIGHTLY BENT AND SHOULD HAVE SUFFICIENT NATURAL CURVATURE IN THE ROUTING TO ABSORB MOVEMENT AND HOSE SHORTENING IN OPERATION UNDER PRESSURE, FREE OF TWIST OR STRAIN.																1.40
	C. THE USE OF WIRE CLIPS, METAL CLAMPS, FABRIC OR RUBBER STRAPS, ETC., TO ESTABLISH A HOSE ROUTING IS PERMISSIBLE ONLY WHEN SUCH RETAINING DEVICES DO NOT UNDUPLY RESTRICT THE EXPANSION OR WORKING OF THE HOSE IN SERVICE AND DO NOT THEMSELVES CHAFE OR ABRASE THE COVER OF THE HOSE OR HOSES BEING HELD.																1.42

CAT 3 STEERING	13901	ZE05XXX	MODEL YEAR 1978 ORIGIN DATE 770804 LAST CHG. DATE LAST CHG. CODE 70 9 51 1 OR U. P. C. OR PAGE
F.N.V.S.S.	REFERENCE	MODEL APPLICATION STEERING UPC DESCRIPTION	



PRODUCT DESCRIPTION MANUAL
ASSEMBLY INFORMATION

QMT 1081 REV. 9/75

GM TRUCK & COACH

ITEM	S E Q	PART OR TOOL DESCRIPTION	ADD'L DATA	QTY	PART NUMBER	ENGINE CODES	SERIES	BODY	ITEM RESTRICTION	DEPARTMENTS		CHANGE		LOGIC CODE	FUNCTION CODE	ADDITIONAL CODES	LINE NOS
										#1	2/3/4	CD	AUTH				
		CAT. 3 (STEERING SYSTEM)															2.1
		BLEED SYSTEM AND CHECK FOR LEAKS															2.3
		1. WITH WHEELS TURNED ALL THE WAY TO THE LEFT, ADD POWER STEERING FLUID TO "COLD" MARK ON PUMP DIP STICK.															2.5 2.6
		2. START ENGINE, TURN WINDSHIELD WIPERS "ON" RUN ENGINE AT EASY IDLE AND RECHECK FLUID LEVEL. ALL FLUID IF NECESSARY TO "COLD" MARK ON PUMP DIP STICK.															2.8 2.9 2.10
		3. BLEED SYSTEM BY TURNING WHEEL FROM SIDE TO SIDE WITHOUT HITTING KNUCKLE STOPS AND WITH WIPERS "ON". MAINTAIN FLUID LEVEL JUST ABOVE INTERNAL PUMP CASTING. FLUID WITH AIR WILL HAVE A LIGHT TAN OR RED APPEARANCE. THIS AIR MUST BE ELIMINATED FROM FLUID BEFORE NORMAL STEERING CAN BE OBTAINED.															2.12 2.13 2.14 2.15
		4. RETURN WHEEL TO CENTER POSITION AND CONTINUE TO RUN ENGINE AT EASY IDLE FOR TWO OR THREE MINUTES. CHECK SYSTEM FOR LEAKS. THEN SHUT OFF ENGINE.															2.17 2.18
		5. RECHECK FLUID LEVEL AS DESCRIBED IN STEPS 1 & 2 MAKING SUPE FLUID LEVEL IS AT "HOT" MARK ON PUMP DIP STICK AFTER THE SYSTEM HAS STABILIZED AT ITS NORMAL OPERATING TEMPERATURE.															2.20 2.21 2.22
		PROCESS DOCUMENTATION: THIS PROCESS UTILIZES STANDARD TOOLS AND EQUIPMENT OF WHICH THE CAPABILITIES ARE WELL ESTABLISHED.															2.23 2.24 2.25
		APPROVED BY: <i>James E. Langh</i>															2.31
		DATE: <i>9/1/77</i>															2.32

P.M.V.R.R.	CAT 3 STEERING	13901	ZE05XXX	MODEL YEAR 1978 ORIGIN DATE 770804 LAST CHG DATE LAST CHG CODE
	REFERENCE	MODEL APPLICATION STEERING UPC DESCRIPTION	70 9 S1 2 BK U. P. C. QMF PAGE	

PRODUCTION DESCRIPTION QUAL

ASSEMBLY INFORMATION

ITEM	QTY	PART DESCRIPTION	ADD'L DATA	QTY	P. NO.	ENGINE CODES	SERIES	DOY. BPN	ITEM RESTRICTION	DEPARTMENTS		CHANGE		ACTION CODE	ADDITIONAL CODES	FHA
										41	2/STA	CD	AUTH			
AAU014		LUB CAP			* M01					0754						
AAU014		P/S & WSW MTR & PWR & LINES			* L1173					0782						1.1
AAU014		S/GR TO INTER TIE			* L3845					0782						1.1
AAU014		TRG MTR TO S/GR			* L3536					0782						1.1
AAU014		STRG INTER TIE			* L2773					0782						1.1
AAU014		STRG CCL LMR SHF TO PINCH 130LT ENGAGEMENT			* L4610					0782						1.2
AAU014		FRT WHEEL ALIGN			* L4584					0782						1.2
AAU014		FRT STRUCTURE & STRG CCL SUPT			* L7856			STD/641T/685T		0782						1.2
AAU014		TILT STRG WHL			* L3818					0782						1.3
AAU014		FIREWALL & STRG CCL SUPT			* L2989			81697T/698T		0782						1.3
AAU014		P/S & WSW MTR & PWR & LINES			* L7173					0754						1.3
AAU014		S/GR TO INTER TIE			* L3845					0754						1.3
AAU014		STRG WHL TO S/GR			* L3536					0754						1.4
AAU014		STRG INTER TIE			* L2773					0754						1.4
AAU014		STRG CCL LMR SHF TO PINCH 130LT ENGAGEMENT			* L4610					0754						1.4
AAU014		FRT WHEEL ALIGN			* L4584					0754						1.5
AAU014		FRT STRUCTURE & STRG CCL SUPT			* L7856			STD/641T/685T		0754						1.5
AAU014		TILT STRG WHL			* L3818			83		0754						1.5
AAU014		LK CTR ASM			* L4235					0782		60621			99544	1.5

A B C D E F.M.V.B.B.	ZE05000										MODEL YEAR 1978					
											ORIGIN DATE 770729					
											LAST CHG. DATE 770819					
											LAST CHG. CODE 0621					
MODEL APPLICATION										70 9A A 1						
STEERING GEAR & COLUMN										PK. N. P. G. QMP PAGE						
UPC DESCRIPTION																
REFERENCE																



PRODUCT DESCRIPTION MANUAL

QMT 1081 REV. 5/78

GENE TRUCK & COACH

ASSEMBLY INFORMATION

ITEM	PART OR TOOL DESCRIPTION	ADD'L DATA	QTY	PART NUMBER	ENGINE CODES	SERIES	BODY BRK	ITEM RESTRICTION	DEPARTMENTS		CHANGE		LOGIC CODE	FUNCTION CODE	ADDITION CODES	FNA	LINE NOS
									#1	2/51A	CO	AUTH					
AA19024	FIREWALL & STRG COL SUPT		*	L2989				816971/6981	0754								1.5
AA20024	P/S & MSM MTR & PMR U LINES		*	L7173					0752								2.1
AA21024	S/GR TO INTER TIE ROD		*	L3845					0752								2.4
AA22024	STRG WHL TO S/GR		*	L3536					0752								2.7
AA23024	STRG INTER TIE ROD TO GRD		*	L2773					0752								2.9
AA23024	STRG COL LMR SHF TO PINCH BOLT ENGAGEMENT		*	L4610					0752								2.1
AA24024	FRT WHEEL ALIGN		*	L4584					0752								2.1
AA25024	FRT STRUCTURE & STRG COL SUPT		*	L7856				STD/641T/685T	0752								2.1
AA16024	TILT STRG WHL		*	L3818				83	0752								2.2
AA17024	FIREWALL & STRG COL SUPT		*	L2989				81697T/698T	0752								2.2
0010AA	GEAR ASM STRG		1	7817940					0752	66		0000660075					2.2
0020AA	BOLT S/GR TO FRM 70180 FT LBS		4	9425686					0752	66							2.3
0030AA	WA S/GR BOLT		4	103326					0752	66							2.3
0040AA	SHAFT ASM STRG		1	692860					0752	66		0000660080					2.3
0050AA	CLAMP SHF/COL		1	7802922					0754	87		0000870090					2.3
0060AA	BOLT STRG SHF		1	7803464					0754	87							2.3
0070AA	NUT STRG SHF 40150 FT LBS		1	7810280					0754	87							2.4
0080AA	BOLT STRG SHF		1	9425686					0752	66							2.4

ZE05000

MODEL YEAR 1978
 ORIGIN DATE 770729
 LAST CHG DATE
 LAST CHG CODE

MODEL APPLICATION
 STEERING GEAR & COLUMN
 UPC DESCRIPTION

70 9A A 2
 BK U. P. C. GPF PAGE

P. 1147.88
 REFERENCE

PRODUCT DESCRIPTION MANUAL

ASSEMBLY INFORMATION

QMT 1001 REV. 8/78

GM TRUCK & COACH

ITEM #	PART OR TOOL DESCRIPTION	QTY	PART NUMBER	ENGINE CODES	RES	DEPARTMENT #1	REF BTH	LOGIC CODE	FUNCTION CODE	ADDL CODE	PNA	LINE NOS
U090AA	WOT STRG SHF	1	9422299			0752						2.1
U090AL	WOT 45 FT LBS					0752						2.4
U100AA	CLIP COL RET	1	419454			0782	45	0000	450060			2.5
U110AA	COVER ASM	1	7819738			0782	45	0000	450045			2.5
U120AA	GREASE	*	9985009			0754	87					2.5
U130AA	COLUMN ASM	1	7829693		83-BRU	0782	45		1300	450070		2.5
U130AL	COLUMN ASM	1	791158		641/697/685	0782	45		3648	450070		2.5
U130AU	COLUMN ASM	1	2000853		698	0782	45		3686	450070		2.5
U130AE	COLUMN ASM	1	791158		83-BRU	0782	45		1299	450070		3.1
U130AF					TO MFG 791158 & 2000853, USE	0782	45	60399				3.2
U130AG					7829693	0782	45	60399				3.3
U140AA	LVR, TILT LK COL	1	408239			0782	45	606210000	450120		MC3170	3.5
U140AA	SET ASM, IGN LK		120071252			0782	45	606210000	450125		MC3170	3.7

ZE05000

MODEL APPLICATION
STEERING GEAR & COLUMN
UPC DESCRIPTION

MODEL YEAR 1978
ORIGIN DATE 770729
LAST CHG. DATE 770819
LAST CHG. CODE 0621
70 9A A 3
BK. V. P. C. QWP PAGE

PRODUCT DESCRIPTION MANUAL

ASSEMBLY INFORMATION

DMT 100 REV 8/78

ENGINE CODES & SERIES

ITEM	PART OR TOOL DESCRIPTION	ADD'L DATA	QTY	PART NUMBER	ENGINE CODES	SERIES	BOY #	ITEM RESTRICTION	DEPARTMENTS		CHANGE		LOGIC CODE	FUNCTION CODE	ADDITIONAL CODES	FNA	LINE NOS
									PT	Z/STA	CD	AUTH					
0001AA	STRG WHL TO S/GP		1	L3536			83	STD	0782								1.8
0001AB	STRG WHL TO S/GP		1	L3536				641/697/698	0782								1.9
0001BA	STEERING WHEEL		1	L3818			83		0782								1.11
0010AA	BASE STRG WHL		1	1603458					0782	45			0000450075				1.15
0020AA	SCREW		3	9423769					0782	45							1.21
0020AB	12-15 IN LBS								0782	45							1.22
0030AA	NUT 0		3	1493941					0782	45							1.24
0040AA	WHEEL ASM STRG		1	9758309			83	BRU	0782	45			1300450080				1.26
0040AC	WHEEL ASM STRG		1	9757112				641/697/685	0782	45			3648450080				1.27
0040AD	WHEEL ASM STRG		1	9759051				698	0782	45			3484450080				1.28
0040AE	WHEEL ASM STRG		1	9757112			83	BRU	0782	45			573161299450080				1.29
0050AA	PAD ASM		1	9759008			83	BRU	0782	45			1300450085				1.31
0050AC	PAD ASM		1	1603178				641/697/685	0782	45			3648450085				1.32
0050AD	PAD ASM		1	2001472				698	0782	45			3484450085				1.33
0050AE	PAD ASM		1	1603178			83	BRU	0782	45			573161299450085				1.34
0060AA	APPLIQUE CTR AD		1	1607526				641/685/697/698	0782	45			6040450087				1.36
0060AB	APPLIQUE CTR PAD		1	1607526			83	BRU	0782	45			573161299450087				1.37
0070AA	SHROUD STRG WHL		1	791159				641/697/685	0782	45			3548450090				1.39
0070AC	SHROUD STRG WHL		1	2000852				698	0782	45			3484450090				1.40
0070AD	SHROUD STRG WHL		1	791159			83	BRU	0782	45			573161299450090				1.41
0080AA	APPLIQUE UPR PAD		1	2028443				641/695/697/698	0782	45			6040450092				1.43
0080AB	APPLIQUE UPR PAD		1	2028443			83	BRU	0782	45			573161299450092				1.44
0090AA	APPLIQUE LMR PAD		2	2028442				641/685/697/698	0782	45			6040450094				1.46
0090AB	APPLIQUE LMR PAD		1	2028442			83	BRU	0782	45			573161299450094				1.47

1		ZE05000	MODEL YEAR 1978
2			ORIGIN DATE 770729
3			LAST CHG DATE
4			LAST CHG CODE
5			70 98 A 1
F.M.V.S.S.	REFERENCE	MODEL APPLICATION STEERING WHEEL UPC DESCRIPTION	M V P G OFF PAGE



ASSEMBLY INFORMATION

ITEM	PART OR TOOL DESCRIPTION	QTY	PART NUMBER	ENGINE CODES	DEPARTMENT #	CHANGE AUTH	LOGIC CODE	FUNCTION CODE	AL	LINE NOS
0001	STRG. HHL. TO S/GR	*	L3536		0782					1.8
0001	TRT. STRUCTURE L	*	L7856		0782					1.1
00010	STRG. COL. SUPT.				0782					1.1

ZE05000

MODEL APPLICATION
STEERING COLUMN SUPPORT
VPS DESCRIPTION

MODEL YEAR 1978
 ORIGIN DATE 770729
 LAST CHG. DATE 770819
 LAST CHG. CODE 0621
 70 9C A 1
 BK V. P. G. QRP PAGE

PROJECT DESCRIPTION MANUAL

ASSEMBLY INFORMATION

ITEM NO.	PARENT ITEM DESCRIPTION	APPLICABLE DATA	QTY	ITEM NUMBER	ISSUE CLASS	UNIT	QTY	ITEM DESCRIPTION	QTY	ISSUE CLASS	UNIT	QTY	ITEM DESCRIPTION	QTY	ISSUE CLASS	UNIT	QTY
000000	PLATE STRG SUPT		1	696177					0782	49			000000009				1.00
000000	BOLT STRG SUPT		4	2015420					0782	49							1.00
000000	WA BOLT		4	2436162					0782	49							1.00
000000	NUT 95:145 IN LB		4	9422279					0782	49							1.00
000000	WAL SUPT		1	696174					0782	49							1.00
000000	BRKT SUPT		1	696175					0782	49			000000100				1.00
000000	U BOLT		1	374217					0782	49			000000100				1.00
000000	WA U BOLT		2	2436162					0782	49							1.00
000000	NUT U BOLT		2	9422279					0782	49							1.00
000000	PLATE UPR SUPT		1	724977					0782	49			000000110				1.00
000000	BOLT		4	126216					0782	49							1.00
000000	WA		4	2436162					0782	49							1.00
000000	NUT 95:145 IN LB		4	9422279					0782	49							1.00
000000	BRKT UPR SUPT		1	696177					0782	49			000000110				1.00
000000	BOLT SUPT BRKT		4	11502764					0782	49							1.00
000000	BOLT SUPT BRKT		2	9417950					0782	49							1.00
000000	WA		4	2436162					0782	49							1.00
000000	NUT 95:145 IN LB		2	9422279					0782	49							1.00

ZE0500

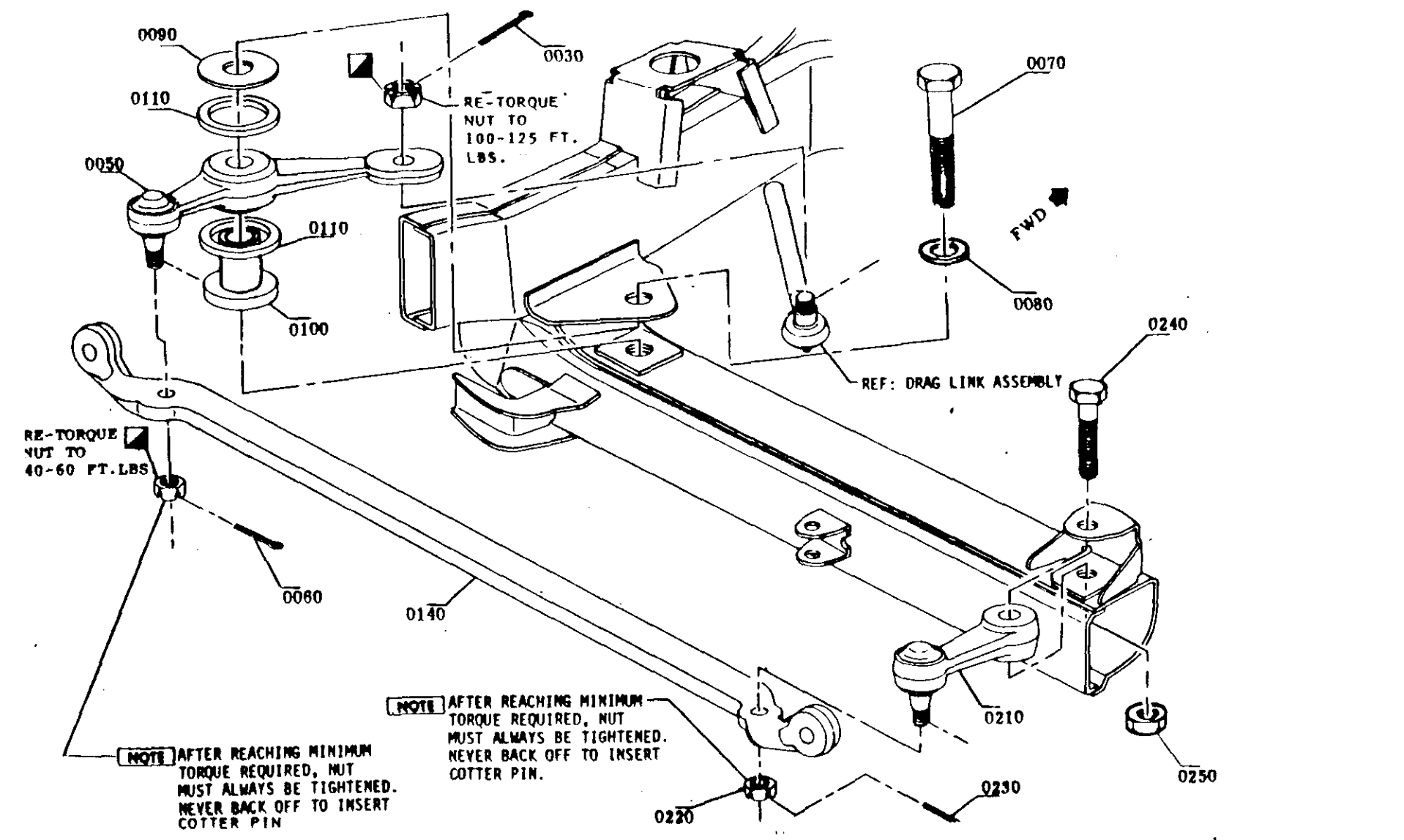
MODEL YEAR 1976
 DESIGN DATE 7/67,9
 LAST CHG DATE 7/1008
 LAST CHG CODE 61J9U
 70 40 A 2
 BK U P C QWP PAGE

MODEL APPLICATION
 STEERING COLUMN SUPPORT
 UPC DESCRIPTION

REFERENCE

1
2
3
4
5
6
7
8
9
10
11
12
13
14
15
16
17
18
19
20
21
22
23
24
25
26
27
28
29
30
31
32
33
34
35
36
37
38
39
40
41
42
43
44
45
46
47
48
49
50

GMT 922 1-73

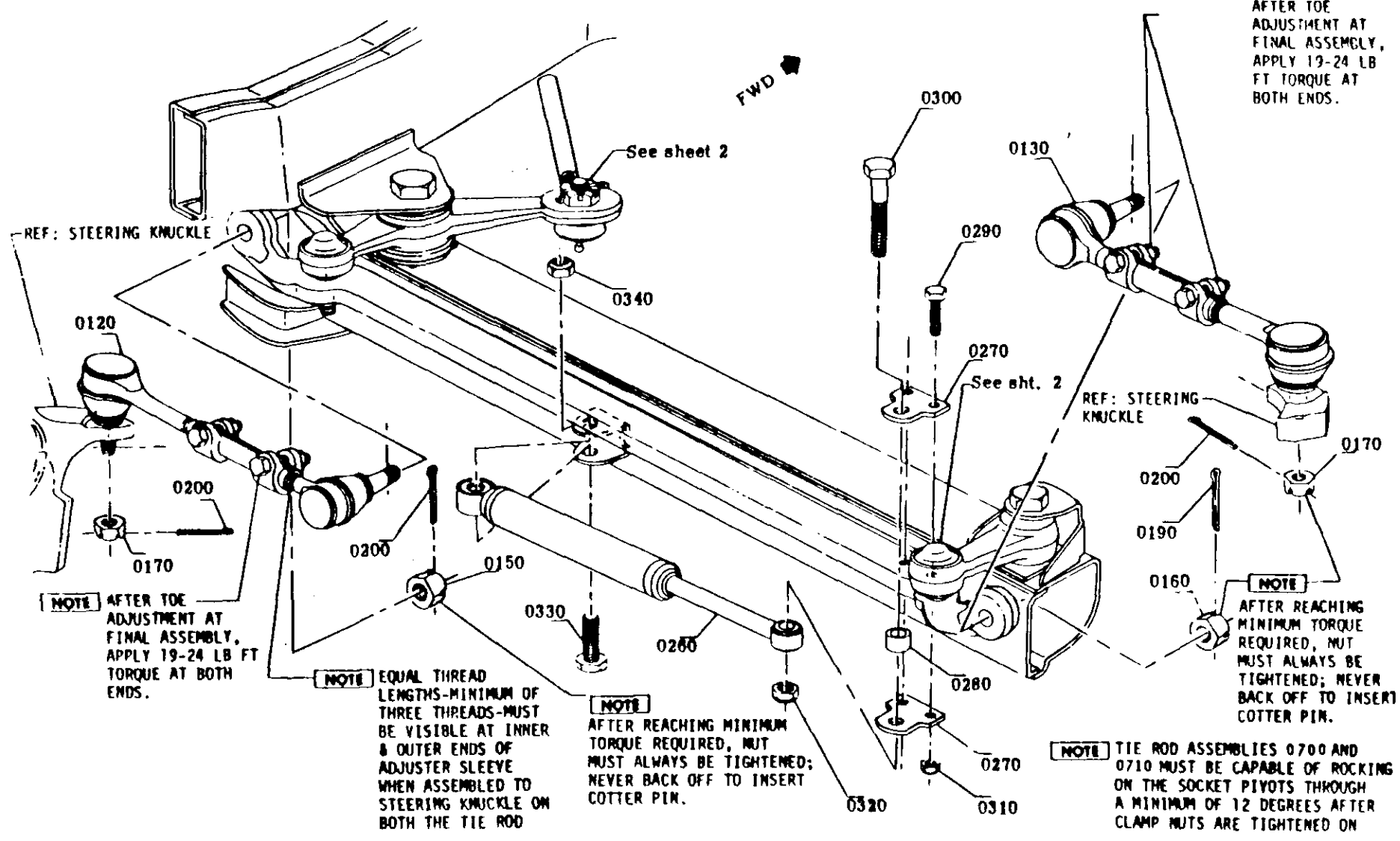


BY DRAWN (Installation) - LBS	MADE (Inspection) - LBS	DATE	SYM	REVISION	AUTH	DE	CR	DEPARTMENTS
▲		6/27/77		ORIGINAL RELEASE	WZBR			THOMPSON
▲								
▲								
▲								
▲								

78 TRUCK		BOOK 70
TITLE STEERING LINKAGE & COMPONENTS		
NAME STEERING LINKAGE	QUANTITY 90	SHEET 2

□ ITEM REFERENCE ◇ PROCESS MATERIAL △ TORQUE ▣ PART OF OR EXISTING

GMT 92-1-73



AFTER TOE ADJUSTMENT AT FINAL ASSEMBLY, APPLY 19-24 LB FT TORQUE AT BOTH ENDS.

NOTE AFTER TOE ADJUSTMENT AT FINAL ASSEMBLY, APPLY 19-24 LB FT TORQUE AT BOTH ENDS.

NOTE EQUAL THREAD LENGTHS—MINIMUM OF THREE THREADS—MUST BE VISIBLE AT INNER & OUTER ENDS OF ADJUSTER SLEEVE WHEN ASSEMBLED TO STEERING KNUCKLE ON BOTH THE TIE ROD

NOTE AFTER REACHING MINIMUM TORQUE REQUIRED, NUT MUST ALWAYS BE TIGHTENED; NEVER BACK OFF TO INSERT COTTER PIN.

NOTE AFTER REACHING MINIMUM TORQUE REQUIRED, NUT MUST ALWAYS BE TIGHTENED; NEVER BACK OFF TO INSERT COTTER PIN.

NOTE TIE ROD ASSEMBLIES 0700 AND 0710 MUST BE CAPABLE OF ROCKING ON THE SOCKET PIVOTS THROUGH A MINIMUM OF 12 DEGREES AFTER CLAMP NUTS ARE TIGHTENED ON

DYNAMIC (Installation)—LBS	STATIC (Inspection)—LBS	DATE	SYN	REVISION	AUTH	DR	CR	DEPARTMENTS
△		6/27/71		ORIGINAL RELEASE	47000			
△								
△								
△								

78 TRUCK		BOOK 70
TITLE		
TIE ROD & LINKAGE SHOCK ABSORBER		
NAME	REVISION	SHEET
STEERING LINKAGE	90	3

PRODUCT DESCRIPTION MANUAL

ASSEMBLY INFORMATION

GMT 1081 REV. 8/78

ENGINE TYRER & COACH

ITEM	PART OR TOOL DESCRIPTION	ADD'L DATA	QTY	PART NUMBER	ENGINE CODES	SERIES	BOY RPK	ITEM RESTRICTION	DEPARTMENTS		CHANGE		LOGIC CODE	FUNCTION CODE	ADDITIONAL CODES	NA	LINE NOS
									PI	2/51A	CD	AUTH					
AA01024	P/S & MSW MTR &		*	L7173					0752								1.8
AA01024	POWER HYD LINE								0752								1.9
AA02024	S/GR TO INTER		*	L3845					0752								1.11
AA02024	TIE ROD								0752								1.12
AA03024	STRG WHL TO S/GR		*	L3536					0752								1.14
AA04024	STRG INTER TIE		*	L2773					0752								1.16
AA04024	ROD TO GRD								0752								1.17
AA05024	FRT STRUCTURE &		*	L7856					0752								1.18
AA05024	STRG COL SUPT								0752								1.20
AA06024	STRG COL LMR SHF		*	L4610					0752								1.24
AA06024	TO PINCH BOLT								0752								1.23
AA06034	ENGAGEMENT								0752								1.24
AA07024	FRT WHL ALIGN		*	L4584					0752								1.26
AA08024	P/S PUMP MTC		*	L8453					0752								1.28
AA09024	BKKT, PUL & BELT								0752								1.29
AA10024	P/S PUMP MTC		*	L3022					0752								1.31

1																	
2																	
3																	
4																	
5																	
P.M.V.S.																	

ZE05000

MODEL APPLICATION
STEERING LINKAGE & PITMAN ARM
UPC DESCRIPTION

MODEL YEAR 1978
ORIGIN DATE 770730
LAST CHG. DATE
LAST CHG. CODE
70 90 A 1
PK. U. P. C. 978 PAGE



PRODUCT DESCRIPTION MANUAL
ASSEMBLY INFORMATION

GMT 1001 REV. 9/78

GEN. TRUCK & COACH

ITEM QTY	PART OR TOOL DESCRIPTION	ADD'L DATA	QTY	PART NUMBER	ENGINE CODES	SERIES	BOX BRK	ITEM RESTRICTION	DEPARTMENTS		CHANGE		LUBRIC CODE	FUNCTION CODE	ADDITION CODES	1A	LINE NOS
									#1	2 STA	LD	AUTH					
0010AA	ARM PITMAN		1	697067					0752	67			0000670075				1.33
0020AA	LINK ASM DRAG		1	716P05					0752	67			0000670080				1.35
0021AA	NOTE: RETORQUE NUT 100:125 FT LBS								0752	67							1.37
0021AA	NOTE: IN ALL PLACES WHERE A NUT & COTTER PIN IS INSTALLED, AFTER MINIMUM								0752	67							1.38
0021AA	SPECIFIED TORQUE IS REACHED, ALWAYS ADD TORQUE TO NUT, IF NECESSARY TO								0752	67							1.39
0021AA	INSERT PIN								0752	67							1.40
0030AA	PIN STRG DRAG		2	1033P6					0752	67			0000670065				1.42
0040AA	FIG STRG LUB		2	941701					0752	67			0000670090				1.46
0050AA	LEVER ASM PLY		1	697068					0752	67			0000670195				1.46
0051AA	NOTE: RETORQUE NUT 40:60 FT LBS								0752	67							1.48
0060AA	PIN COTTER		1	1032P6					0752	67							1.50
0070AA	ROLY STRG RLY		1	9430934					0752	67							1.54
0070AA	250:300 FT LBS								0752	67							1.53
0080AA	WA RLY LVR PIV		1	24361A8					0752	67							1.55
0090AA	WA RLY LVR PIV		1	700446					0752	67							1.57
0100AA	BUSH PLY LVR PIV		1	697069					0752	67			0000670100				1.59
0110AA	SEAL STRG		2	2398984					0752	67			0000670105				2.27
0120AA	ROD ASM TIE LH		1	7827738					0752	69			0000690105				2.4
0130AA	ROD ASM TIE RH		1	7827739					0752	69			0000690110				2.6
0140AA	ROD INTER TIE		1	7815525					0752	69			0000690115				2.8
0150AA	NUT 40:50 FT LBS		1	274428					0752	67							2.10
0160AA	NUT 40:50 FT LBS		1	274429					0752	67							2.12
0170AA	NUT 40:50 FT LBS		2	274428					0752	67							2.14
0180AA	PIN TIE ROD		1	1033P5					0752	67							2.16
0190AA	PIN TIE ROD		1	1033P5					0752	67							2.18
0200AA	PIN TIE ROD		2	1033P5					0752	67							2.20

1 2 3 4 5	ZFO5000										MODEL YEAR 1978 ORIGIN DATE 770730 LAST CHG. DATE LAST CHG. CODE						
	MODEL APPLICATION STEERING LINKAGE & PITMAN ARM										70 9D A 2 BK U. P. C. GPP PAGE						
	VPS DESCRIPTION																
	REFERENCE																

PRODUCT DESCRIPTION MANUAL

ASSEMBLY INFORMATION

DMT 1001 REV. 8/78

ENGINE TRUCK & CONCRETE

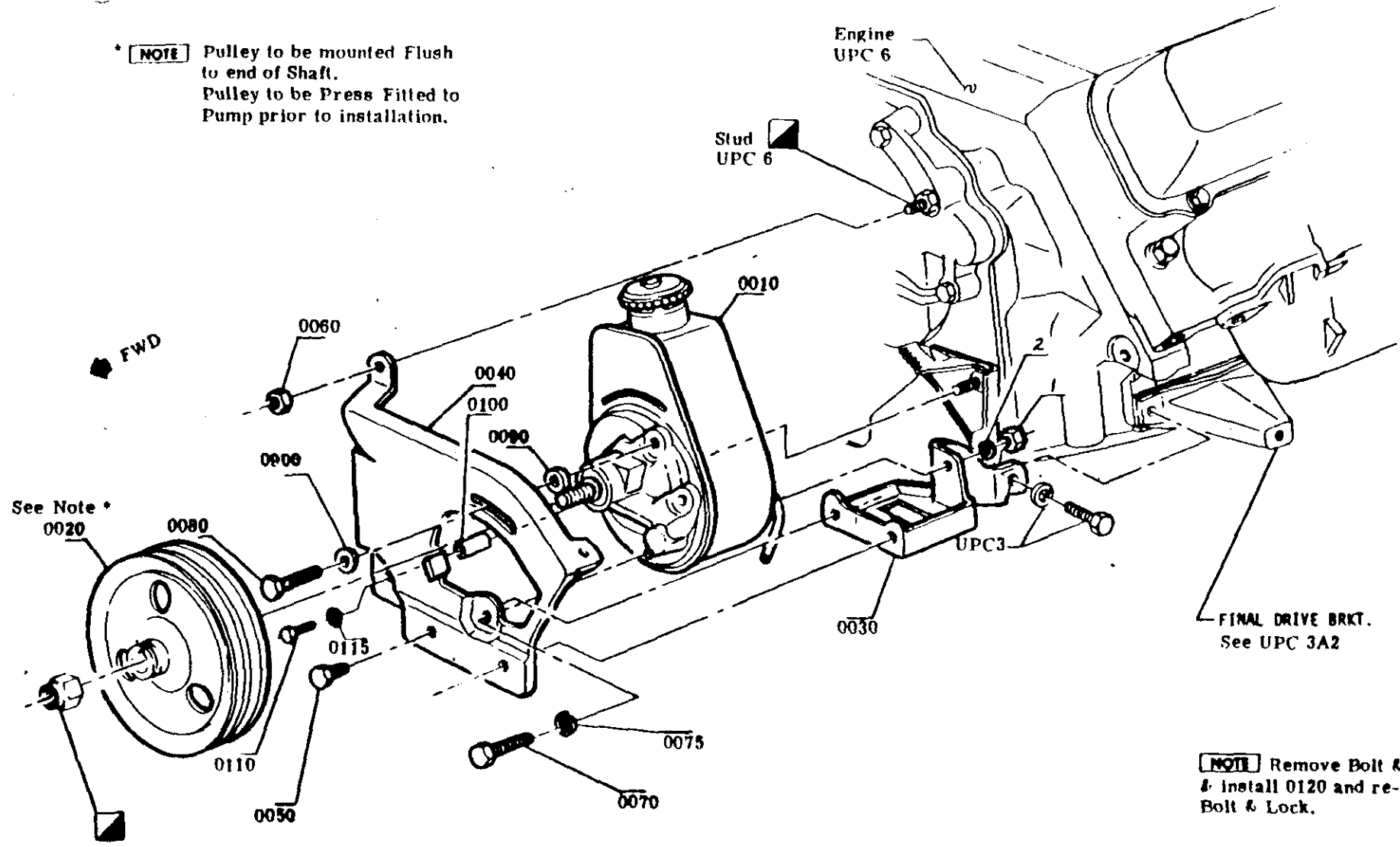
ITEM	PART OR TOOL DESCRIPTION	ADD'L DATA	QTY	PART NUMBER	ENGINE CODES	SERIES	REV	ITEM RESTRICTION	DEPARTMENTS		CHANGE		LOGIC CODE	FUNCTION CODE	ADDITIONAL CODES	PNA	LINE NOS
									#1	2/STA	CD	AUTH					
0210AA	ARM ASM IDLER		1	780596A					0752	67			0000670110				2-22
0220AA	MUT BALL STUD		1	941884A					0752	67							2-24
0220AB	40:50 FT LBS								0752	67							2-24
0230AA	PIN CUTTER		1	103385					0752	67							2-27
0240AA	BOLT ARM FRM		1	9424047					0752	67							2-29
0250AA	MUT ARM BOLT		1	9422305					0752	67							2-31
0250AB	05:116 FT LBS								0752	67							2-31
0260AA	ABSORBER ASM		1	4984784					0752	67			0000670115				2-34
0270AA	BRKT ABSORB		2	393170					0752	67			0000670120				2-36
0280AA	SPACER		1	393171					0752	67			0000670125				2-38
0290AA	BOLT BRKT/ROD		2	9430680					0752	67							2-40
0300AA	BOLT		1	9421122					0752	67							2-42
0310AA	MUT ROD BRKT		2	9422295					0752	67							2-44
0310AB	15:20 FT LBS								0752	67							2-44
0320AA	MUT S/ABS BRKT		1	9422299					0752	67							2-45
0320AB	35:45 FT LBS								0752	67							2-45
0330AA	BOLT S/ABS LINK		1	9419083					0752	67							2-50
0340AA	MUT BOLT		1	9422299					0752	67							2-52
0340AB	35:45 FT LBS								0752	67							2-52

1 2 3 4 5		ZE05000	MODEL YEAR 1978 ORIGIN DATE 770730 LAST CHG. DATE LAST CHG. CODE
P.M.V.203	REFERENCE	MODEL APPLICATION STEERING LINKAGE & PITMAN ARM UPC DESCRIPTION	70 9D A 3 OR U. P. C. OR PAGE

L

GMI 921

*** NOTE** Pulley to be mounted Flush to end of Shaft.
 Pulley to be Press Fitted to Pump prior to installation.

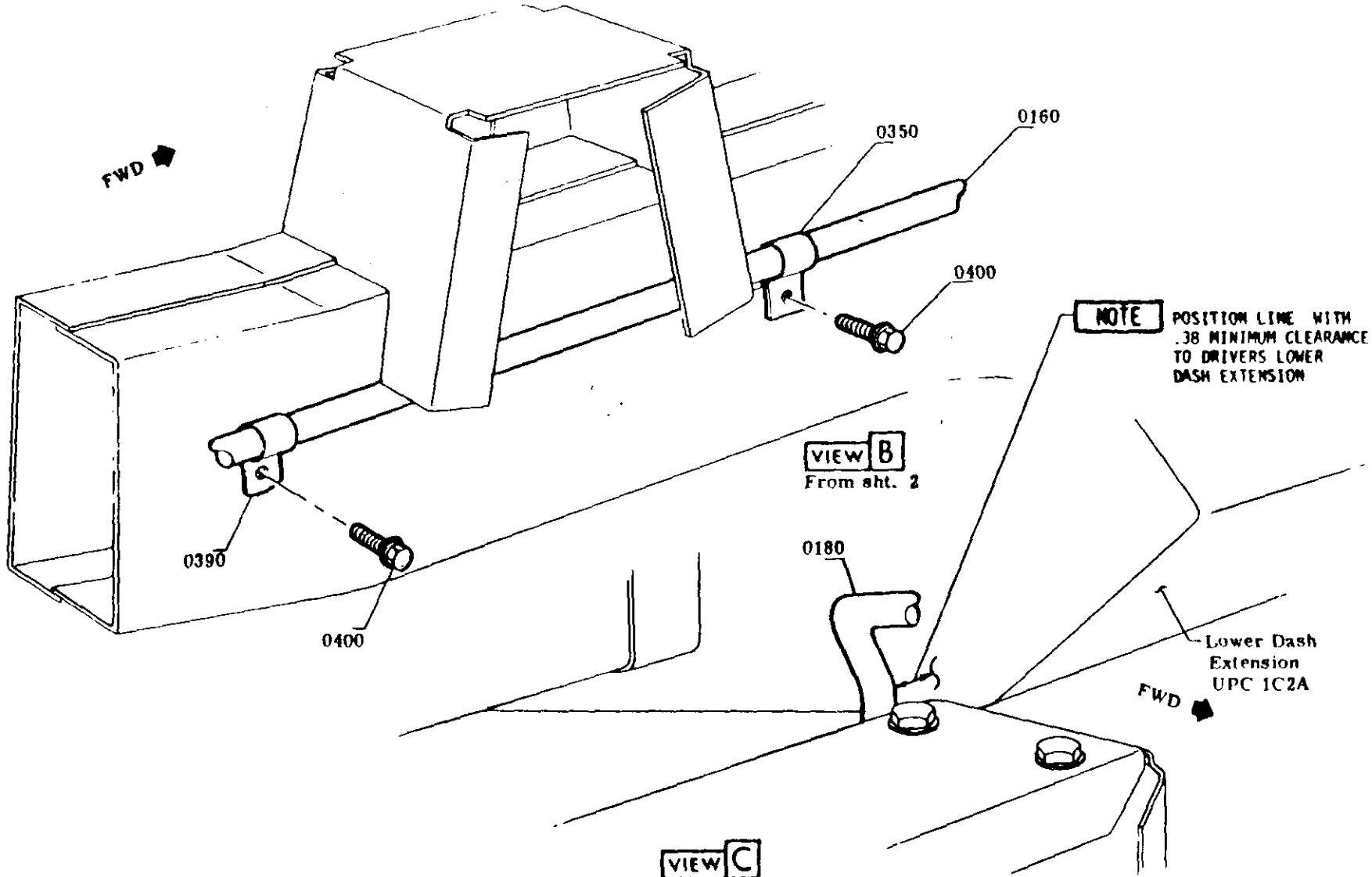


*** NOTE** Remove Bolt & Lock & install 0120 and re-install Bolt & Lock.

SYNCH (Installation) - LBS	HAZ (Inspection) - LBS	DATE	SYM	REVISION	AMT	OR	CK	DEPARTMENT
	▲ 20-25 FT. LBS.	6-5-77		ORIGINAL RELEASE	47000	B	BT	GRIFIN

78 TRUCK **BOOK 70**
 TITLE
POWER STEERING PUMP
 NAME **POWER STEERING**
 NUMBER **91**
 PART **1**

GMT 73



SYMBOL (Installation) - LBS	HAZ (Inspection) - LBS	DATE	SYM	REVISION	QTY	PR	CE	DEPARTMENT
▲		6/15/77		ORIGINAL RELEASE	47000			GAFFIN
▲								
▲								
▲								

73 TRUCK **BOOK 70**
 TITLE
 PWR. STEERING & W W HYD. LINES
 NAME POWER STEERING NUMBER **98** SHEET **3**



PRODUCT DESCRIPTION MANUAL

ASSEMBLY INFORMATION

GMT 1001 REV. 9/78

GMC TRUCK & COACH

ITEM NO.	PART OR TOOL DESCRIPTION	ADD L DATA	QTY	PART NUMBER	ENGINF CODES	SERIES	BOY BRK	ITEM RESTRICTION	DEPARTMENTS		CHANGE		LOGIC CODE	FUNCTION CODE	ADDITIONAL CODES	CNA	LINE NOS
									01	2-51A	CD	AUTH					
0001AA	PWR STRG & MSW			18513					0752								1-8
0001AB	HTR HYD LINES								0752								1-9
0001BA	LUB CHART			MD10298					0752								1-10
0001CA	403 ENG INSTL			18679					0752								1-11
0001DA	145 AMP GEN			19251					0752								1-12

1 2 3 4 5 6 7 8 9 10 11 12 13 14 15 16 17 18 19 20 21 22 23 24 25 26 27 28 29 30 31 32 33 34 35 36 37 38 39 40 41 42 43 44 45 46 47 48 49 50 51 52 53 54 55 56 57 58 59 60 61 62 63 64 65 66 67 68 69 70 71 72 73 74 75 76 77 78 79 80 81 82 83 84 85 86 87 88 89 90 91 92 93 94 95 96 97 98 99 100	ZE05000										MODEL YEAR 1978					
											ORIGIN DATE 710730					
											LAST CHG DATE					
											LAST CHG CODE					
MODEL APPLICATION										70 9E A 1						
POWER STEERING										G.M.C. OF U.S.A.						
VTC PRODUCTION																

P.M.V.88

REFERENCE



PRODUCT DESCRIPTION MANUAL
ASSEMBLY INFORMATION

GMT 1001 REV 5/78

ITEM	E.O.	PART OR TOOL DESCRIPTION	ADD'L DATA	QTY	PART NUMBER	ENGINE CODES	SERIES	REV	ITEM RESTRICTION	DEPARTMENTS		CHANGE		LOGIC CODE	FUNCTION CODE	ADDITIONAL CODES	LINE NOS
										#1	2-STA	CD	AUTH				
0010AA		PUMP ASM STRG		1	7827380					0752	64			0000640055			1.17
0020AA		PULLEY ASM PUMP		1	419713				-L04	0752	64			0448640060			1.19
0020AB		PULLEY ASM PUMP		1	2025922				L04	0752	64			0425640060			1.20
0030AA		BRACKET STRG		1	555377				-L04	0752	64			0448640065			1.22
0030AB		BRACKET STRG		1	2025922				L04	0752	64			0425640065			1.23
0040AA		LINK PMP ADJ		1	555378				-L04	0752	64			0447640070			1.25
0040AB		LINK PMP ADJ		1	2020385				L04	0752	64			0425640070			1.26
0050AA		SCREW		2	9419995					0752	64						1.28
0050AB		20:25 FT LBS								0752	64						1.29
0060AA		NUT CVR BOLT		1	1359887					0752	64						1.31
0060AB		20:25 FT LBS								0752	64						1.32
0070AA		BOLT PUMP		1	9419051					0752	64						1.34
0070AB		25:30 FT LBS								0752	64						1.35
0075AA		WA LK		1	103321					0752	64						1.37
0080AA		BOLT PUMP		1	9418822					0752	64						1.39
0080AB		25:30 FT LBS								0752	64						1.40
0090AA		WA		2	3898788					0752	64						1.42
0100AA		SPACER ADJ LINK		1	555379					0752	64			0000640075			1.44
0110AA		BOLT SPACER		1	9419054					0752	64						1.46
0110AB		12:16 FT								0752	64						1.47
0115AA		WA LK		1	103321					0752	64						1.49
0160AA		HS PMP GEAR		1	702357					0752	68			0000680112			1.51
0170AA		CLAMP		4	2468869					0752	68			0000680125			1.53
0170AB		20:24 IN LBS								0752	68						1.54
0180AA		TB STRG RTN		1	2025993					0752	68			0000680130			1.56
0190AA		HS HD/RET TB		1	3773685					0752	68			0000680135			1.58
0200AA		BRKT RET TB		1	717556					0752	68			0000680140			2.1

ZE05000

MODEL YEAR 1978
ORIGIN DATE 770730
LAST CHG. DATE 770929
LAST CHG. CODE
70 9E A 2
BY U. P. G. QTY PAGE

MODEL APPLICATION
POWER STEERING
VPC DESCRIPTION

ASSEMBLY INFORMATION

ITEM	PART OR TOOL DESCRIPTION	QTY	PART NUMBER	ENGINE	ELECTRICAL	AIR	WATER	ITEM DESCRIPTION	UNIT	REMARKS	OPERATOR	APPROVER	DATE
021AA	BOLT BRKT		9417950						0752				
	20:25 FT LBS								0752				
022AA	WA BOLT	2	103320						0752				
023AA	CLIP RTN HS	1	2291242						0752				
024AA	BOLT CLIP	1	9417950						0752				
025AA	WA	1	9410309						0752				
026AA	NUT 10:15 FT LBS	1	9422275						0752				
027AA	BRKT RTN HS CLP	1	653298						0752				
028AA	BOLT BRKT	1	9419066						0752				
029AA	WA BRKT	1	103319						0752				
030AA	NUT 45:120 IN LB	1	9419912						0752				
031AA	HS RET TB/PMP	1	1469409						0752				
032AA	CLIP	2	2490119						0752				
033AA	SCREW	2	2015039						0752				
034AA	NUT 15:20 FT LBS	2	1494253						0752				
035AA	CLIP	1	5110070						0752				
036AA	BRKT RTN TB/FRM	2	653298						0752				
037AA	BOLT RIN TB CLP	2	9417950						0752				
038AA	NUT 45:145 IN LB	2	9422275						0752				
039AA	CLIP RIN TB	1	2490119						0752				
040AA	SCREW CLP/FRM	2	9422232						0752				
041AA	FLUID	45 KG	9985010						0752				

1	REFERENCE	2705000	MODEL YEAR 1975
2			ORIGIN DATE 770750
3			LAST CHG DATE 771000
4			LAST CHG CODE 61390
5			70 4E A 3
		MODEL APPLICATION	BR. U. P. C. GRP PAGE
		POWER STEERING	
		UPC DESCRIPTION	

GMT 922 8/74

UPC 10B WHEELS & TIRES

Sht. #: Title:

- 1 Wheel Mounting
- 2 Tire Inflation Label
- Tire Directional Mounting

UPC 10E SPARE WHEEL MOUNTING

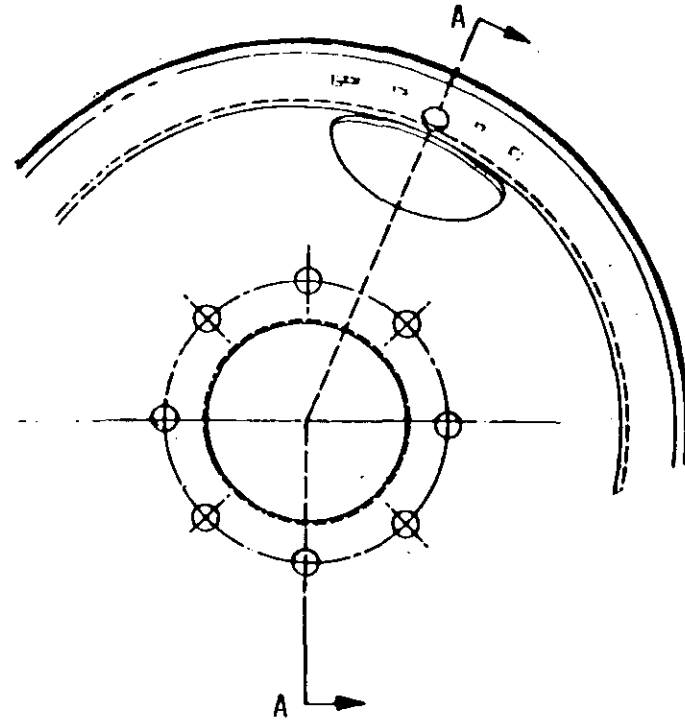
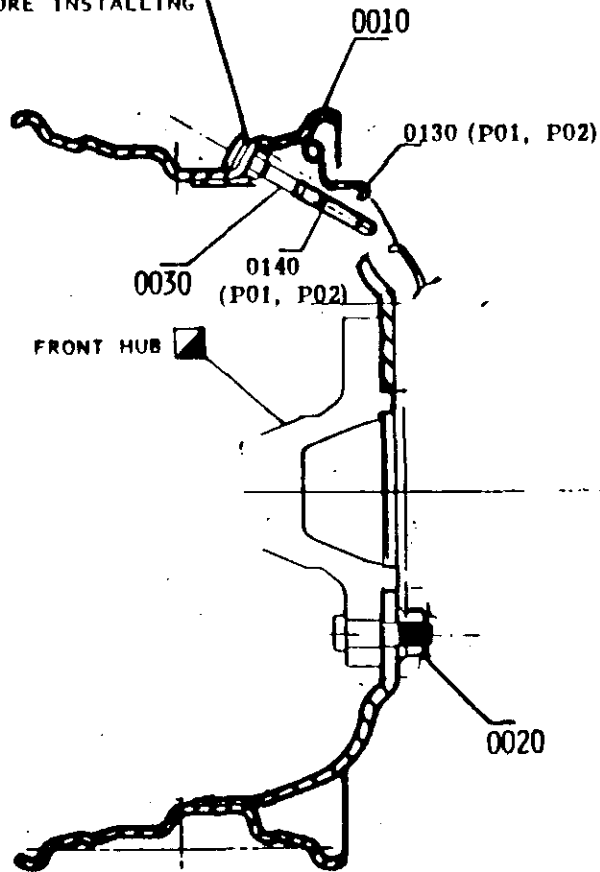
- 1 Spare Tire Carrier ----RPO P10

(AUDIT)
INDEX-1
10B-3
10E-1

DYNAMIC (Installation) - LBS	HARD (Inspection) - LBS	DATE	SYM	REVISION	ITEM	DR	EX	DEPARTMENTS	1978 TRUCK BOOK 70	
		2.6.77		ORIGINAL RELEASE	1000				TITLE INDEX	
									NAME WHEELS & TIRES	DIVISION/UPC 10
									SHEET A	

GMT 922 1-73

APPLY LUBRICANT 0040 TO VALVE STEM BEFORE INSTALLING TO WHEEL.



NOTE Items 0060, 0070, 0080, 0090, 0100, 0110 wheel weights are not illustrated. For wheel balance information see MD 11663

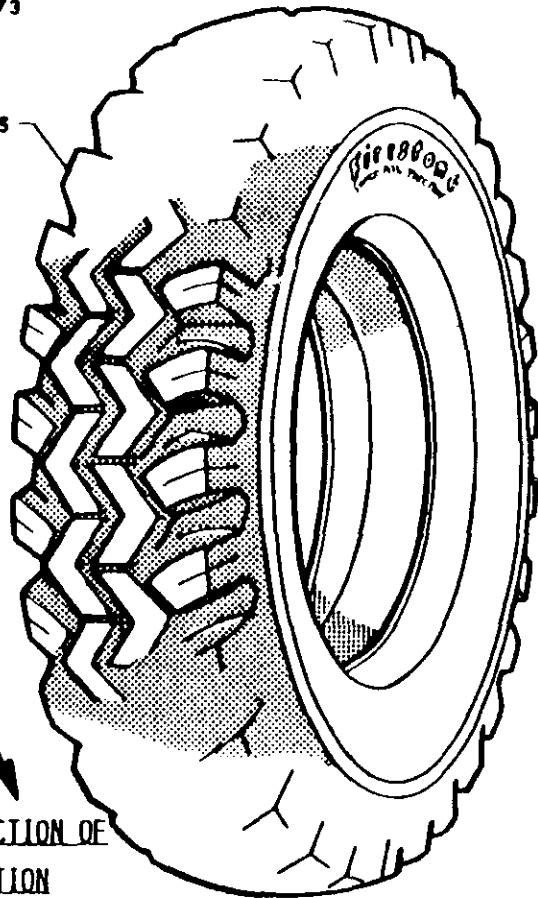
SECTION - A-A

NOTE VALVE STEM SHOWN OUT OF POSITION ON SECTION

SYNOPSIS (Inspection) - LOS	MAINT (Inspection) - LOS	DATE	SYN	REVISION	AUTH	DR	CR	DEPARTMENTS	78 TRUCK	BOOK 70
△		1-67		CHAIN RELEASE	Y7000				TITLE	
△									WHEEL MOUNTING	
△									BASE	
△									WHEEL & TIRES	
△									PIVOT	10B
									SHEET	1

GMT 922 1-73

CROSS LUGS

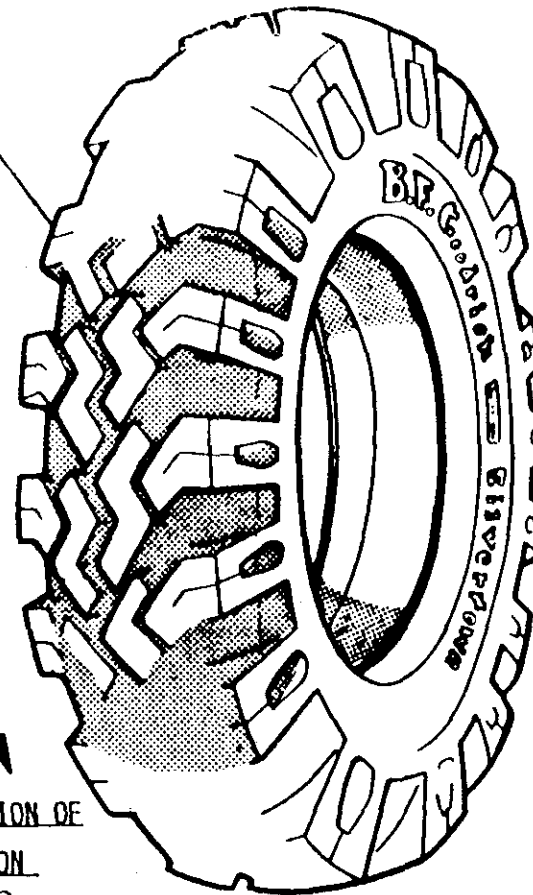


DIRECTION OF ROTATION

FWD

FIRESTONE
SUPER ALL TRACTION

CROSS LUGS



DIRECTION OF ROTATION

FWD

B.F. GOODRICH
EXTRA TRACTION

NOTE TIRES MUST BE RECEIVED WITH TUBE VALVE STEM PROPERLY ORIENTED

NOTE CROSS LUGS MUST ANGLE BACK WHEN TIRE IS ROTATING IN A FORWARD DIRECTION

DYNAMIC (Installation)—LBS	HAND (Inspection)—LBS	DATE	SYM	REVISION	AUTH	DR	FR	DEPARTMENTS
△		6677		ORIGINAL RECORD	47000			
△								
△								
△								
△								

'78 TRUCK		BOOK 70
TITLE TIRES DIRECTIONAL MOUNTING		
NAME WHEEL & TIRES	DIVISION 108	SHEET 3

PART OR TOOL DESCRIPTION	ADD L DATA	QTY	PART NUMBER	ENGINE CODE	SERIES	BODY	TEAM IDENTIFICATION	DEPARTMENT		LOGIC CODE	FUNCTION CODE	ADDITIONAL CODES	LINE NOS
								F1	2/51A				
AA01014 RR HUB & DRUM			* L6095				PO1/PO2/STD	0782					1.8
AA02014 TIRE MTG & BAL			* MD11663					0782					1.10
AA02024 INSTR								0782					1.11
AA03014 FRT HUB & BRK			* L4330				PO1/PO2/STD	0782					1.13
AA04014 MHL TIRE CHT			* MD11680				XRH/XTE/YRH/YTE/ZRH/ZTE/STD	0782					1.15
AA05014 MHL IDENT MKG			* MD11681				XRH/XTE/YRH/YTE/ZRH/ZTE/STD	0782					1.17
AA06014 TIRE UNIFORMITY			* MD11683				XRH/XTE/YRH/YTE/ZRH/ZTE/STD	0782					1.20
AA06024 SPEC								0782					1.20
AA07014 DECAL LUC DWG			* L4324					0782					1.22
AA08014 LUB CHART			* MD10298					0782					1.24
AA09014 MHL LOW SPOT			* MD14554				PNJ/STD	0782					1.26
AA09024 IDENT								0782					1.27
AA10014 SPARE TIRE CARR			* L3440				PNJ	0782					1.29
AA11014 RR HUB & DRUM			* L6095				PO1/PO2/STD	0752					1.31
AA12014 TIRE MTG 7 BAL			* MD11663					0752					1.33
AA12024 INSTR								0752					1.34
AA13014 FRT HUB & BRK			* L4330				PO1/PO2/STD	0752					1.36
AA14014 MHL TIRE CHT			* MD11680				XRH/XTE/YRH/YTE/ZRH/ZTE/STD	0752					1.38
AA15014 MHL IDENT MKG			* MD11681				XRH/XTE/YRH/YTE/ZRH/ZTE/STD	0752					1.40
AA16014 TIRE UNIFORMITY			* MD11683				XRH/XTE/YRH/YTE/ZRH/ZTE/STD	0752					1.42
AA16024 SPEC								0752					1.43
AA17014 DECAL LUC DWG			* L4324					0752					1.45
AA18014 LUB CHART			* MD10298					0752					1.47
AA19014 MHL LOW SPOT			* MD14554				PNJ/STD	0752					1.49
AA19024 IDENT								0752					1.50
AA20014 SPARE TIRE CARR			* L3440				PNJ	0752					1.52
AA21014 RR HUB & DRUM			* L6095				PO1/PO2/STD	0756					1.54

1 2 3 4 5 6 7 8 9 10 11 12 13 14 15 16 17 18 19 20 21 22 23 24 25 26 27 28 29 30 31 32 33 34 35 36 37 38 39 40 41 42 43 44 45 46 47 48 49 50 51 52 53 54 55 56 57 58 59 60 61 62 63 64 65 66 67 68 69 70 71 72 73 74 75 76 77 78 79 80 81 82 83 84 85 86 87 88 89 90 91 92 93 94 95 96 97 98 99 100	MODEL YEAR 1978
	ORIGIN DATE 770801
	LAST CHG. DATE
	LAST CHG. CODE
MODEL APPLICATION	70 108 A 1
WHEELS & TIRES	EX. V. P. C. 802. 002
UPR DESCRIPTION	

ITEM NO	QTY	PART OR TOOL DESCRIPTION	ADD'L DATA	QTY	PART NUMBER	ENGINE CODES	SERIES	BOY BRK	ITEM RESTRICTION	DEPARTMENTS			LOGIC CODE	FUNCTION CODE	ADDITIONAL CODES	LINE NOS
										AT	29TA	CD				
AA2014		TIRE MTG & BAL		*	MD11663					0756						1.50
AA2024		INSTR								0756						1.51
AA2014		FRT HUB & BRK		*	L4330				PO1/P02/STD	0756						1.54
AA2014		WHL TIRE CHT		*	MD11680				XRH/XTE/YRH/YTE/ZRH/ZTE/STD	0756						2.2
AA25014		WHL IDENT MKG		*	MD11681				XRH/XTE/YRH/YTE/ZRH/ZTE/STD	0756						2.4
AA26014		TIRE UNIFORMITY		*	MD11683				XRH/XTE/YRH/YTE/ZRH/ZTE/STD	0756						2.6
AA26024		SPEC								0756						2.7
AA27014		DECAL LOC DWG		*	L4324					0756						2.9
AA28014		LUB CHART		*	MD10298					0756						2.11
AA29014		WHL LOW SPOT		*	MD14554				PNJ/STD	0756						2.13
AA29024		IDENT								0756						2.14
AA30014		SPARE TIRE CARR		*	L3440				PNJ	0756						2.18
AA31014		RR HUB & DRUM		*	L6095				PO1/P02/STD	0758						2.18
AA32014		TIRE MTG & BAL		*	MD11663					0758						2.20
AA32024		INSTR								0758						2.21
AA33014		FRT HUB & BRK		*	L4330				PO1/P02/STD	0758						2.23
AA34014		WHL TIRE CHT		*	MD11680				XRH/XTE/YRH/YTE/ZRH/ZTE/STD	0758						2.25
AA35014		WHL IDENT MKG		*	MD11681				XRH/XTE/YRH/YTE/ZRH/ZTE/STD	0758						2.27
AA36014		TIRE UNIFORMITY		*	MD11683				XRH/XTE/YRH/YTE/ZRH/ZTE/STD	0758						2.29
AA36024		SPEC								0758						2.30
AA37014		DECAL LOC DWG		*	L4324					0758						2.32
AA38014		LUB CHART		*	MD10298					0758						2.34
AA39014		WHL LOW SPOT		*	MD14554				PNJ/STD	0758						2.36
AA39024		IDENT								0758						2.37
AA40014		SPARE TIRE CARR		*	L3440				PNJ	0758						2.39
0010AA		DISC & RIM ASM		8	475144				-PNJ	0758	100	57448				2.41
0010AC		DISC & RIM ASM		7	475144				PNJ	0758	100	57448				2.43
0020AA		NOT		48	701902				TORQUE 240-280 FT LBS	0752	83	CORR.				2.45

ZE06X00

MODEL APPLICATION
WHEELS & TIRES
UPC DESCRIPTION

MODEL YEAR 1978
ORIGIN DATE 770801
LAST CHG. DATE 770929
LAST CHG. CODE 57448
70 108 A 2
M. V. P. G. 8MP PAGE

ITEM	QTY	PART OR TOOL DESCRIPTION	ADD'L DATA	QTY	PART NUMBER	ENGINE CODES	SERIES	BOY BRN	ITEM RESTRICTION	DEPARTMENTS #1	Z/STA	CHANGE CD	AUTH	LOGIC CODE	FUNCTION CODE	ADDITIONAL CODES	LINE #/25
0030AA		STEM ASM		6	273487				-PNJ	0758	100						2.47
0030AC		STEM ASM		7	273487				PNJ	0758	100						2.48
0040AA		LUB VLV STEM		*	9985005					0758	100						2.50
0050AA		LABEL TIRE INFO		1	2019791				-XTE	0782	44			0450440155			2.52
0050AC		LABEL TIRE INFO		1	701899				XTE	0782	44			0452440155			2.53
0060AA		WEIGHT 1.0 OZ		*	3771620					0758	100						2.55
0070AA		WEIGHT 1.5 OZ		*	9421508					0758	100						2.57
0080AA		WEIGHT 2.0 OZ		*	3771621					0758	100						2.59
0090AA		WEIGHT 2.5 OZ		*	9421510					0758	100						3.2
0100AA		WEIGHT 3.0 OZ		*	9421512					0758	100						3.4
0110AA		WEIGHT 4.0 OZ		*	3771622					0758	100						3.6
0130AA		COVER ASM WHL		6	705439				PO1	0758	100						3.8
0130AC		COVER ASM WHL		7	705439				PO2	0758	100						3.9
0140AA		EXTENSION		6	9422872				PO1	0754	83						3.11
0140AC		EXTENSION		7	9422872				PO2	0754	83						3.12
0150AA		TIRE ASM FRT		2	9590054				-XTE	0754	83	60020				10960	3.14
0150AB		TIRE ASM FRT		2	3927094				XTE	0754	83						3.15
0160AA		TIRE ASM RR		4	9590054				-YTE	0754	83	60020				10970	3.17
0160AB		TIRE ASM RR		4	3927094				YTE	0754	83						3.18
0170AA		TIRE SPARE		1	9590054				ZRH	0754	83	60020				10950	3.20
0170AB		TIRE SPARE		1	3927094				ZTE	0754	83						3.21

F.M.V.B.S.	REFERENCE	ZE06X00	MODEL YEAR 1978
		MODEL APPLICATION WHEELS & TIRES	ORIGIN DATE 770801
		UPC DESCRIPTION	LAST CHG. DATE 770929
			LAST CHG. CODE 57448
			70 108 A 3
			BR. V. P. C. GRP PAGE



PRODUCT DESCRIPTION MANUAL

ASSEMBLY INFORMATION

DMT 1061 REV B-78

LINE TRACK & COACH

ITEM	EQUIPMENT	PART OR TOOL DESCRIPTION	ADD'L DATA	QTY	PART NUMBER	ENGINE CODES	SERIES	BODY	ITEM RESTRICTION	DEPARTMENTS		CHANGE		LOGIC CODE	FUNCTION CODE	ADDITIONAL CODES	FNA	LINE NOS
										#1	2/STA	CD	AUTH					
AA0001		SPA TIRE CARR			L3440				P10	0754								1.8
0010CA		CARRIER ASM		1	693828				P10	0754	87		3130870185					1.21
0020CA		BOLT CARR/FRM		8	9418822				P10	0754	67							1.23
0030CA		WASHER		8	2436163				P10	0754	87							1.25
0040CA		NUT 15:20 FT LBS		8	9422277				P10	0754	87							1.27
0050CA		NUT WHL/CARR		3	701902				P10	0754	87							1.28
0050AB		60:70 FT LBS								0754	87							1.30

ZE06X00

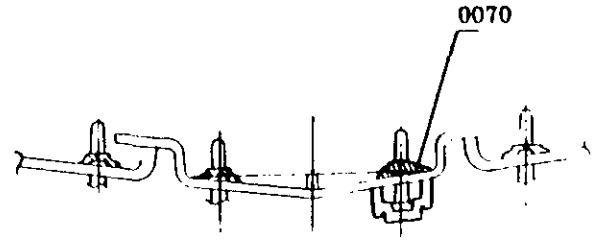
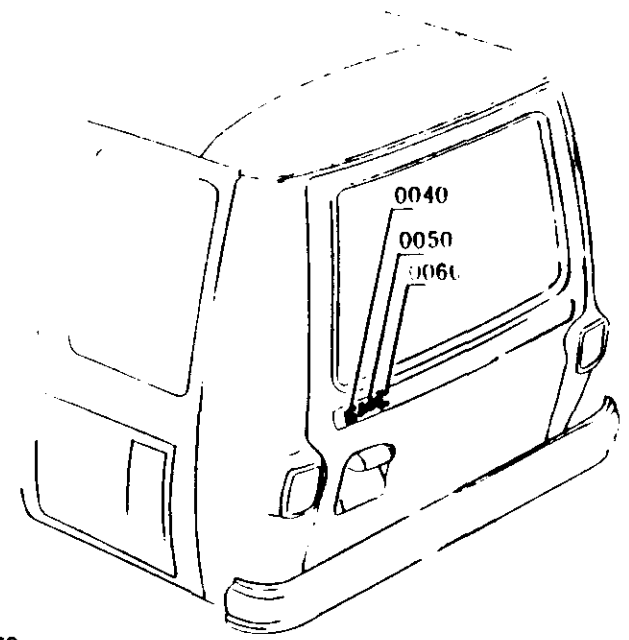
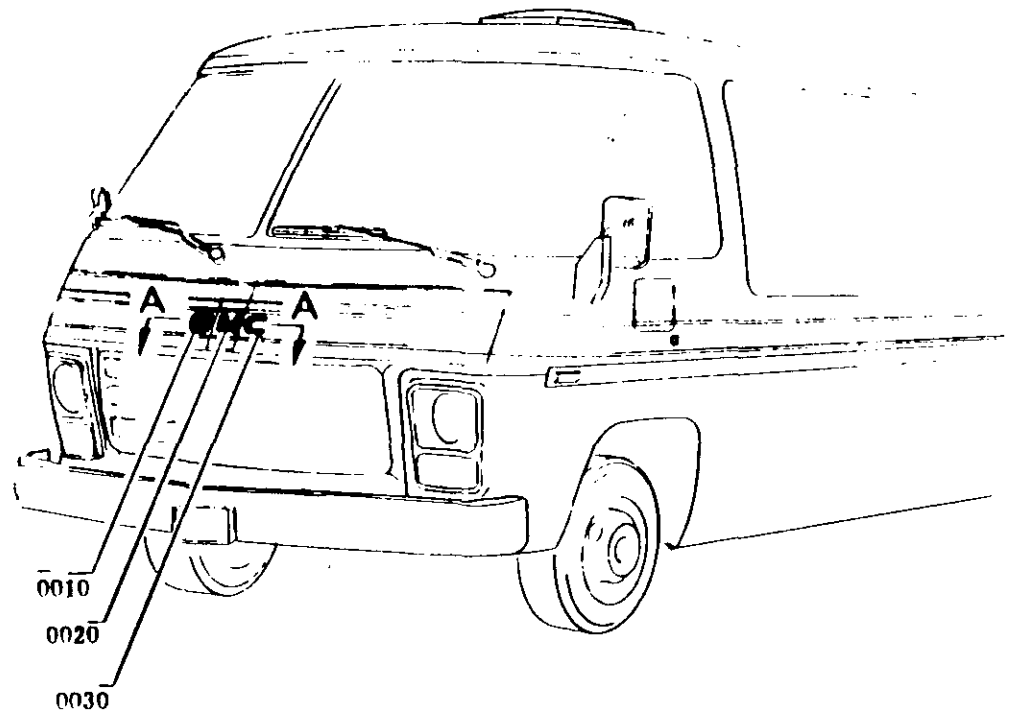
MODEL APPLICATION
SPARE TIRE CARRIER
UPC DESCRIPTION

MODEL YEAR 1978
ORIGIN DATE 770730
LAST CHG. DATE 770929
LAST CHG. CODE
70 10E A 1
BY M. P. G. SEE PAGE

ITEM	PART OR TOOL DESCRIPTION	ADD'L DATA	QTY	PART NUMBER	MFG CODE	ENGINE CODE	SERIES	BODY	ITEM RESTRICTION	DEPARTMENTS		CHANGE		LOGIC CODE	FUNCTION CODE	ADDITIONAL CODES	A	LINE NO.
										#1	2/STA	CD	AUTH					
0010AA	SPA TIRE CARR			L3440					P10	0752								1.8
0010AA	CARRIER ASM		1	693820					P10	0752	83		3130830010					1.2
0020AA	BOLT CARR/FRM		8	9418822					P10	0752	83							1.23
0030AA	WASHER		8	2436163					P10	0752	83							1.24
0040AA	NUT 15:20 FT LBS		8	9422277					P10	0752	83							1.27
0050AA	NUT MHL/CARR		3	701902					P10	0752	83							1.29
0050AB	60:70 FT LBS									0752	83							1.30

1 2 3 4 5 6 7 8 9 10 11 12 13 14 15 16 17 18 19 20 21 22 23 24 25 26 27 28 29 30 31 32 33 34 35 36 37 38 39 40 41 42 43 44 45 46 47 48 49 50 51 52 53 54 55 56 57 58 59 60 61 62 63 64 65 66 67 68 69 70 71 72 73 74 75 76 77 78 79 80 81 82 83 84 85 86 87 88 89 90 91 92 93 94 95 96 97 98 99 100		ZE06X00	MODEL YEAR 1978
			ORIGIN DATE 710730
			MODEL APPLICATION SPARE TIRE CARRIER
		UPC DESCRIPTION	LAST ENG. CODE
			70 10E A 1
			RE U. P. C. 87 PAGE

GMT 922 1-73



SECTION A-A
TYPICAL

DYNAMIC (Installation) - LBS	HAND (Inspection) - LBS	DATE	SYM	REVISION	AUTH	DR	CR	DEPARTMENTS	TITLE
		1-77		SIGNAL RELEASE	47				'78 TRUCK
									BOOK 70
									GMC LETTERS
									NAME CHASSIS
									SHT. METAL
									ORNA.
									DIVISION
									11G
									SWT
									1

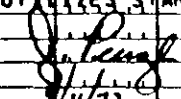
- ▲
- ▲
- ▲
- ▲
- ▲

ITEM	QTY	PART OR TOOL DESCRIPTION	ADD'L DATA	QTY	PART NUMBER	MFG CODE	ENGINE CODES	SERIES	BODY PRK	ITEM RESTRICTION	DEPARTMENTS		CHANGE CD	AUTH	LOGIC CODE	FUNCTION CODE	ADDITIONAL CODES	LINE NOS	
											#1	2/51A							
		MVSS STD. JOB CAT. 1 (LAMPS AND ASSOCIATED EQUIPMENT)																	1.0
		DUE CARE MUST BE EXERCISED IN HANDLING AND INSTALLATION OF VEHICLE IDENTIFICATION CLEARANCE LAMPS AND SIDE MARKER LAMPS:																	1.11 1.12
		1. LAMPS SHOULD BE STORED IN THE ORIGINAL PROTECTIVE SHIPPING CONTAINERS WITH PAPER SEPARATORS IN PLACE TO AVOID CRACKS, CHIPS, AND SCRATCHES.																	1.15 1.16
		2. STOCK SHOULD BE ROTATED REGULARLY TO AVOID AGING OR DAMAGE.																	1.18
		3. DAMAGED CLEARANCE LAMPS OR SIDE MARKER LAMPS SHOULD NEVER BE USED.																	1.20
		4. CLEARANCE AND SIDE MARKER LAMP LENSES MUST BE COVERED WITH EITHER ALUMINUM COATED PRESSURE SENSITIVE TAPE OR A FORMED PROTECTIVE SHEILD TO PREVENT POSSIBLE OPTICAL IMPAIRMENT, LENS WARPAGE IF VEHICLE IS TO GO THRU PAINT REPAIR OVENS (THIS INCLUDED ALL SURFACES EXPOSED TO HEAT)																	1.22 1.23 1.24 1.25
		5. DUE CARE SHOULD BE TAKEN TO AVOID GETTING PAINT ON LAMP ASM.																	1.27
		6. THE WASHING OF LAMP ASSEMBLIES WITH SOLVENTS AND THE WRITING OF NUMERAL ON LAMP LENS WITH ANY MATERIAL NOT APPROVED BY MATERIALS ENGINEERING DEPT IS PROHIBITED.																	1.29 1.30 1.31
		NOTE: ALL DAMAGED OR INOPERATIVE LAMP AND ASSOCIATED EQUIPMENT MUST BE REPAIRED OR REPLACED BEFORE VEHICLES ARE SHIPPED.																	1.34 1.35 1.36
		PROCESS DOCUMENTATION: THIS PROCESS UTILIZES STANDARD TOOLS AND EQUIPMENT FOR WHICH THE CAPABILITIES ARE WELL ESTABLISHED.																	1.40 1.41 1.42
		APPROVED BY: <i>James E. Pugh</i>																	1.47
		DATE: <i>8/1/77</i>																	1.47

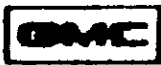
SYD 108 CAT. 1 LAMPS & REFLECTORS	1977 PDM	ZE03XX	MODEL YEAR 1978 ORIGIN DATE 770804 LAST CHG. DATE LAST CHG. CODE 70 12 S2 1 BK V. P. C. SHP PAGE
REFERENCE		MODEL APPLICATION LAMPS & REFLECTORS VTC DESCRIPTION	

ITEM	PART OR TOOL DESCRIPTION	ADD'L DATA	QTY	PART NUMBER	ENGINE CODES	SERIES	REV	ITEM RESTRICTION	DEPARTMENTS		CHANGE		LOGIC CODE	FUNCTION CODE	ADDITIONAL CODES	REV
									RT	7/STA	CD	ALITH				
	MVSS STD. 101 CAT. 2 (FRONT END WIRING)															1.8
	DUE CARE MUST BE EXERCISED BY ALL PERSONNEL INVOLVED IN THE HANDLING AND INSTALLATION OF MOTOR VEHICLE EQUIPMENT CONTROL ILLUMINATION COMPONENTS SUCH AS: WIRE HARNESS ASSEMBLIES, LIGHT BULBS, FIBER OPTIC TAPE, AND/OR CONTROL IDENTIFICATION UNIT ASSEMBLIES.															1.11 1.12 1.13
	MANDATORY PROCESS															1.16
	1. OPEN WIRE HARNESS AND/OR FIBER OPTIC UNIT ASSEMBLY SHIPPING CARTONS BY RELEASING THE TOP FLAPS OF CARTON ONLY. DO NOT USE A KNIFE, RAZOR BLADE OR ANY OTHER SHARP INSTRUMENT TO CUT OPEN CARTONS TO PREVENT ANY DAMAGE TO WIRE HARNESS, FIBER OPTIC TAPE OR CONTROL IDENTIFICATION UNIT ASSEMBLIES.															1.18 1.19 1.20 1.21
	2. DUE CARE MUST BE EXERCISED BEFORE AND AFTER ASSEMBLY TO ASSURE THAT LIGHT BULBS AND FIBER OPTIC TAPE ARE FUNCTIONAL AND NOT BROKEN OR DAMAGED.															1.24 1.25
	3. EACH HARNESS OR WIRE MUST BE HELD SECURELY IN PLACE BY CLIPS OR OTHER DESIGNATED HOLDING DEVICES TO PREVENT CHAFING OF INSULATION. WIRES MUST BE SCRAPPED AND REPLACED IF INSULATION HAS BECOME CRACKED OR DETEIORATED IN ANY WAY.															1.26 1.29 1.30
	4. ALL ELECTRICAL CONNECTIONS MUST BE KEPT CLEAN. WIRING CONNECTOR TERMINALS SHOULD BE CHECKED FOR PROPER ALIGNMENT TO INSURE THAT THEY ARE PROPERLY SEATED IN CONNECTOR CAVITIES.															1.33 1.34
	5. ROTATE STOCK REGULARLY, UNAUTHORIZED SUBSTITUTIONS ARE NEVER PERMITTED.															1.37
	PROCESS DOCUMENTATION: THIS PROCESS UTILIZES STANDARD TOOLS AND EQUIPMENT OF WHICH THE CAPABILITIES ARE WELL ESTABLISHED.															1.50 1.51
	APPROVED BY: <i>[Signature]</i>															1.53
	DATE: <i>8/1/77</i>															1.55

1 2 3 4 5 P.M.V.88	STD 101 CAT. 2 WIRING	1977 PDM	2E05XXX	MODEL YEAR 1978
	REFERENCE	MODEL APPLICATION WIRING UPC DESCRIPTION	ORIGIN DATE LAST CHG DATE LAST CHG. CODE	70 12 53 1 BR U. P. C. GRP PAGE

ITEM	QTY	PART OR TOOL DESCRIPTION	ADD'L DATA	QTY	PART NUMBER	ENGINE CODES	SERIES	BODY BSK	ITEM RESTRICTION	DEPARTMENTS		CHANGE		LOGIC CODE	FUNCTION CODE	ADDITIONAL CODES	LINE NOS
										#1	2/STA	CD	AUTH				
		MVSS STD. 101 CAT. 2 (LIGHT SWITCHES)															1.0
		DUE CARE MUST BE EXERCISED BY ALL PERSONNEL INVOLVED IN THE HANDLING AND INSTALLATION OF VEHICLE CONTROL IDENTIFICATIONS, CONTROL SWITCHES AND GAGES, AND CONTROL ILLUMINATION COMPONENTS.															1.10
		1. OPEN WIRE HARNESS AND/OR FIBER OPTIC UNIT ASSEMBLY SHIPPING CARTONS BY RELEASING THE TOP FLAP OF CARTON ONLY. DO NOT USE A KNIFE, RAZOR BLADE OR ANY OTHER SHARP INSTRUMENT TO CUT OPEN CARTONS TO PREVENT ANY DAMAGE TO WIRE HARNESS, FIBER OPTIC TAPE OR CONTROL ILLUMINATION UNIT ASSEMBLIES.															1.14
		2. DUE CARE MUST BE EXERCISED BEFORE AND AFTER ASSEMBLY TO ASSURE THAT LIGHT BULBS AND FIBER OPTIC TAPE ARE FUNCTIONAL AND NOT BROKEN OR DAMAGED.															1.20
		3. WIRE HARNESS, FIBER OPTIC TAPE, AND/OR SWITCH AND GAGE CONTROL CABLES MUST BE HELD SECURELY IN PLACE BY CLIPS OR OTHER DESIGNATED HOLDING DEVICE TO PREVENT CHAFING OF INSULATION. WIRES AND/OR FIBER OPTIC TAPE MUST BE REPLACED IF THE INSULATION HAS BECOME CRACKED OR DETERIORATED IN ANY WAY.															1.24
		4. ALL ELECTRICAL CONNECTIONS MUST BE KEPT CLEAN. CONNECTOR TERMINALS SHOULD BE CHECKED FOR PROPER ALIGNMENT TO INSURE THAT THEY ARE PROPERLY SEATED IN CONNECTOR CAVITIES.															1.30
		5. ROTATE STOCK REGULARLY. UNAUTHORIZED SUBSTITUTIONS ARE NEVER PERMITTED.															1.34
		6. VEHICLE CONTROL IDENTIFICATIONS, CONTROL SWITCHES, GAGES, AND CONTROL ILLUMINATION COMPONENTS SHOULD BE STORED IN ORIGINAL CONTAINERS.															1.36
		PROCESS DOCUMENTATION: THE PROCESS UTILIZES STANDARD TOOLS AND EQUIPMENT OF WHICH THE CAPABILITIES ARE WELL ESTABLISHED.															1.50
		APPROVED BY:															1.53
		DATE:	11/17														1.55

1	STD 101	1977 PDR	ZE05XXX	MODEL YEAR 1978
2	CAT. 2			ORIGIN DATE
3	LIGHT SWITCHES			LAST CHG. DATE
4				LAST CHG. CODE
5				70 12 SA 1
	P.M.V.S.O.	REFERENCE	MODEL APPLICATION LIGHT SWITCHES UPC DESCRIPTION	DE. V. P. C. 077 PAGE



GMT 922 8/74

UPC 12E REAR LAMPS

Sht. #: Item:

- 1 Stop Lamp & License Lamp
- 2 Tail Lamp Switch Asm.
- 3 Stop Lamp Switch Adjustments
& Speed Control Switch RPO K30

UPC 12G HORN SWITCH & MOUNTING

- 1 Horn Asm.
- 2 Horn Switch ZEO6581
- 3 Horn Insulator ZEO6083, ZEO6583.

(AUDIT)
12E-3
12G-3

DYNAMIC (Installation) - LBS	PAID (Inspection) - LBS	DATE	SYD	DEVISION	ADTH	DR	ER	DEPARTMENTS	TRUCK	BOOK
		7-19-72		ORIGINAL RELEASE	ARNDT	JA		R THOMPSON	70	70
									INDEX	
									ELECTRICAL	12
										B




GMT 922 1/75

UPC 12H - FUSE, BULBS & CHASSIS WIRING

Sht. #	Title:	Restrictions:
1	Side Body Harness - LH	-ZEO6083
2	Side Body Harness - LH	-ZEO6583, ZEO6581
3	Side Body Harness - LH	
4	Side Body Harness - LH	
5	Side Body Harness - LH	
6	Side Body Harness - LH	
7	Air Suspension Sensor - Harn. Routing	
8	Air Suspension Sensor - Wiring	
9	Air Suspension Compressor Wiring	- ZEO6581
10	Air Suspension Compressor Wiring	- ZEO6083, ZEO6583
11	Side Body Harness - RH	-ZEO6083
12	Side Body Harness - RH	-ZEO6581, ZEO6583
13	Front Roof Wiring Harness	
14	Front Roof Wiring Harness	
15	Roof Marker Lamps - Bulb	
16	Leveling Control Switch	
17	Dome Lamp Bulb	
18	Fuel Tank Wiring	
19	Rear Wiring Harness	
20	Rear Wiring Harness	
21	Trailer Wiring	- W'UPA

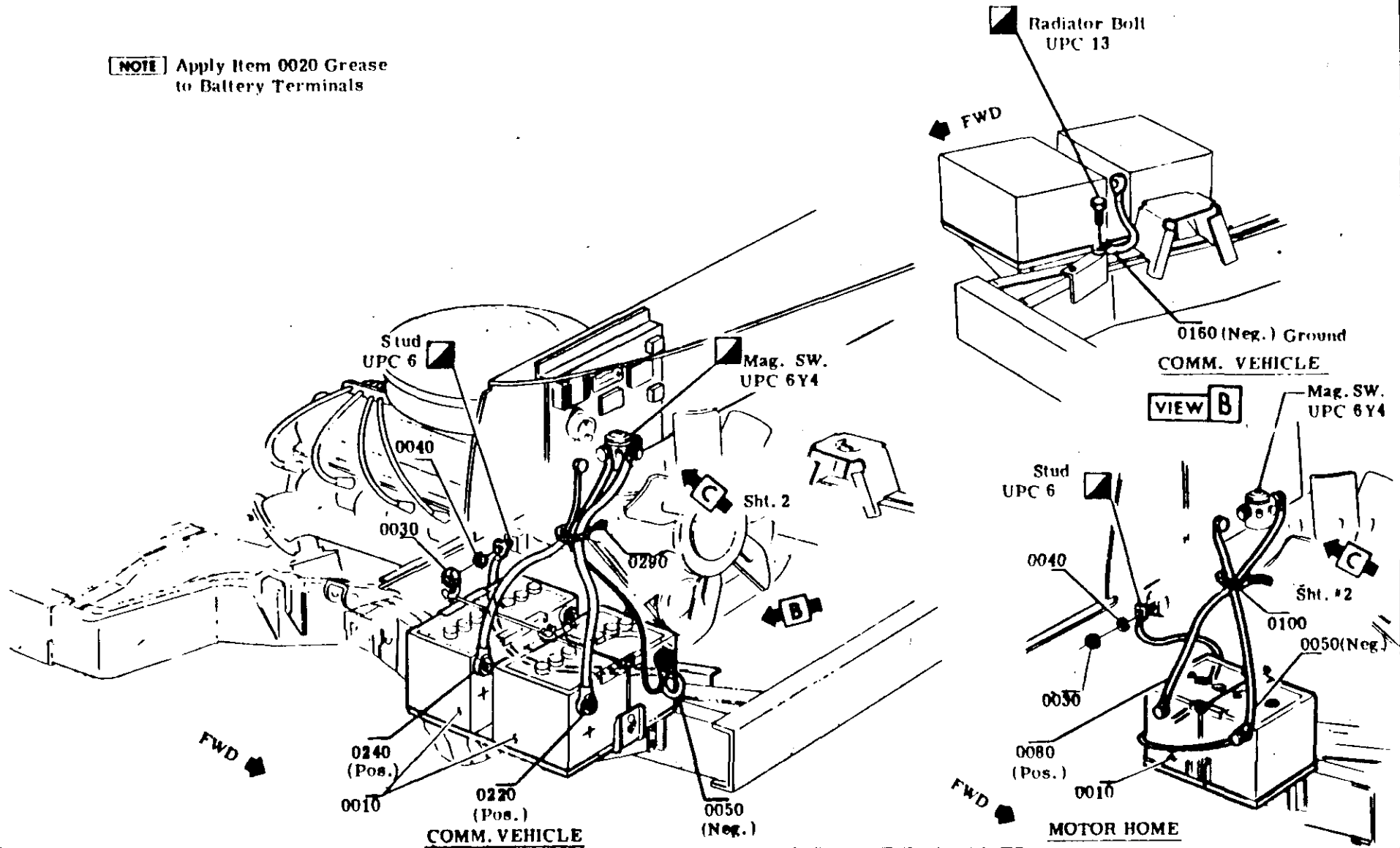
Sht. #:	Title:	Restrictions:
22	Ground Strap to Body	
23	Engine Wiring	
24	Generator Wiring	
25	Engine Harness Wiring	
26	Instrument Panel & Lever Control Harness	
27	Instrument Cluster Wiring	
28	Dash Panel Wiring	
29	Dash Panel Elec. Component Wiring	
30	Dash Panel Elec. Component Wiring--W L04	
31	Heater Harn. Routing & Windshield Washer Wiring	
32	Horn Wiring	
33	Heater Resistor	

(AUDIT)
12H-33

<input type="checkbox"/> DRAWING (Installation) - LBS <input type="checkbox"/> PART (Inspection) - LBS 	DATE 7-19-77 8-25-77 /	SYM /	REVISION ORIGINAL RELEASE SHT 33 ADDED	AUTH 12000 BT 5397 G	DE 11	CE 11	DEPARTMENTS J. THOMPSON SHERIDAN	'78 TRUCK '	BOOK 70
TITLE INDEX								DIVISION/UPC ELECTRICAL 12	SHEET C

OMT 922 1-73

NOTE Apply Item 0020 Grease to Battery Terminals



DYNAMIC (Installation) - LBS	HAZ (Inspection) - LBS	DATE	SYM	REVISION	AUTH	DR	CE	DEPARTMENTS
△		6/7/77		ORIGINAL RELEASE				
△								
△								
△								
△								

78 TRUCK **BOOK 70**

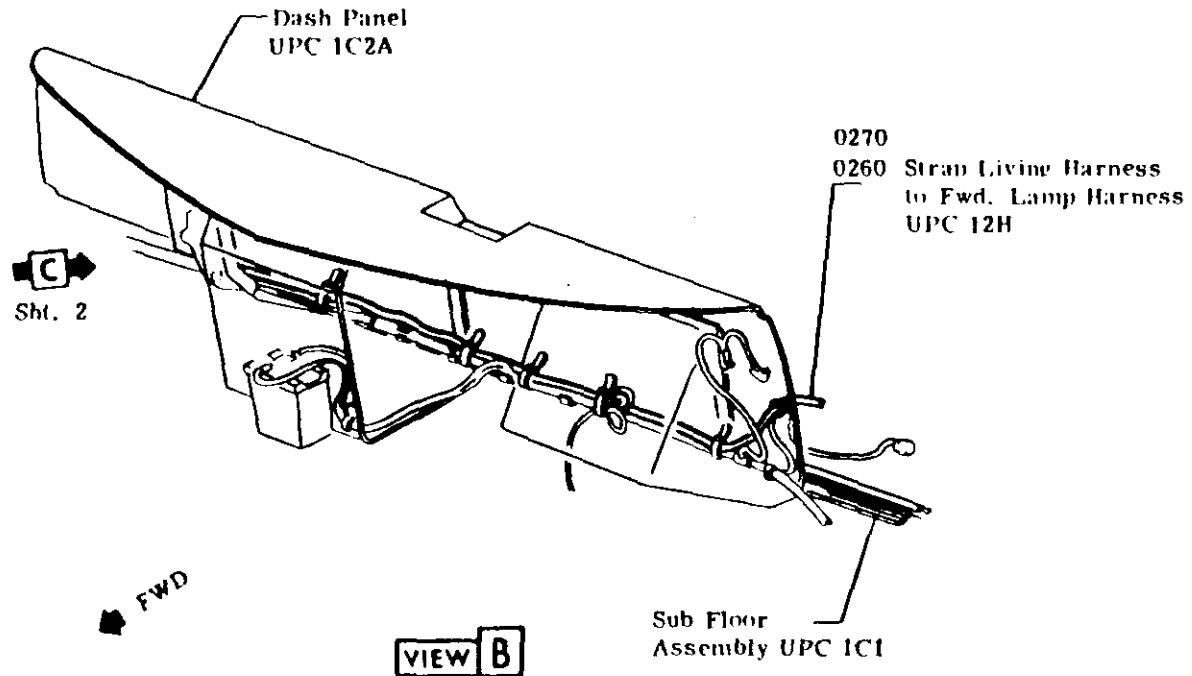
TITLE
ENGINE BATTERY CABLES & GROUND

BATTERY & LEADS **12A** **1**



□ ITEM REFERENCE ◇ PROCESS MATERIAL △ FORGON ▣ PART OF OR EXISTING

GMT 922 1-75



BY (Drawn) (Installation) - LBS	MADE (Inspection) - LBS	DATE	SYM	REVISION	AUTH	DR	CR	DEPARTMENTS	TITLE
		11/11/75		ORIGINAL RELEASE	W. J. J.	AN	THOMPSON		'78 TRUCK BOOK 70
									LIVING HARNESS TO CIRCUIT BREAKER ZEO6083, ZEO6583
									NAME: BATTERY & LEADS DIVISION/UPC: 12A SHEET: 4





PRODUCT DESCRIPTION MANUAL
ASSEMBLY INFORMATION

ITEM	PART OR TOOL DESCRIPTION	ADD'L DATA	QTY	PART NUMBER	U/D	ENGINE CODES	SERIES	BOY BRN	ITEM RESTRICTION	DEPARTMENTS		CHANGE CD	A/J/F/H	LOGIC CODE	FUNCTION CODE	ADDITION CODES	LINE NOS
										#1	2/STA						
AA01014	ENG & CHAS WRG		*	LB752				P1		0782							1.8
AA02024	ENG & CHAS WRG		*	LB680				P3		0782							1.9
AA02014	LUP CHART		*	MD10298						0782							1.11
AA03014	LH SI BODY WRG		*	MD12914				P1		0782							1.12
AA04014	HARN DRILL									0782							1.14
AA04014	LH SI BODY WRG		*	MD12915			65	P3		0782							1.16
AA04024	HARN DRILL									0782							1.17
AA05014	LH SI BODY WRG		*	MD12916			60	P3		0782							1.19
AA05024	HARN DRILL									0782							1.20
AA06014	403 ENG ACSRY		*	LR679						0782							1.22
AA06024	INSTL									0782							1.23
AA07014	ENG & CHAS WRG		*	LR752				P1		0754							1.25
AA07024	ENG & CHAS WRG		*	LR680				P3		0754							1.26
AA08014	LUP CHART		*	MD10298						0754							1.28
AA09014	LH SI BODY WRG		*	MD12914				P1		0754							1.30
AA09024	HARN DRILL									0754							1.31
AA10014	LH SI BODY WRG		*	MD12915			65	P3		0754							1.33
AA10024	HARN DRILL									0754							1.34
AA11014	LH SI BODY WRG		*	MD12916			60	P3		0754							1.36
AA11024	HARN DRILL									0754							1.37
AA12014	403 ENG ACSRY		*	LR679						0754							1.39
AA12024	INSTL									0754							1.40
AA13014	ENG & CHAS WRG		*	LR752				P1		0752							1.42
AA13024	ENG & CHAS WRG		*	LR680				P3		0752							1.43
AA14014	LUP CHART		*	MD10298						0752							1.45
AA15014	LH SI BODY WRG		*	MD12914				P1		0752							1.47
AA15024	HARN DRILL									0752							1.48
AA16014	LH SI BODY WRG		*	MD12915			65	P3		0752							1.50
AA16024	HARN DRILL									0752							1.51
AA17014	LH SI BODY WRG		*	MD12916			60	P3		0752							1.53
AA17024	HARN DRILL									0752							1.54

1 2 3 4 5 P.M.V.S.R.	ZFO5000										MODEL YEAR 197P ORIGIN DATE 770601 LAST CHG DATE LAST CHG CODE						
	MODEL APPLICATION BATTERY & LEADS										70 12A A 1						
	UPC DESCRIPTION										BK U. P. C. GPP PAGE						

REFERENCE

PRODUCT DESCRIPTION MANUAL

ASSEMBLY INFORMATION

ITEM	PART OR TOOL DESCRIPTION	ADD'L DATA	QTY	PART NUMBER	ENGINE CODES	SERIES	REV	ITEM RESTRICTION	DEPARTMENT		CHANGE		LOGIC CODE	FUNCTION CODE	ADDITIONAL CODES	PNA	LINE NOS
									BT	Z/8TA	CD	AUTH					
AA100A	403 ENG ACSRY		*	1A679					0752								1-54
AA100Z	INSTL								0752								1-57
0010AA	BATTERY ASM		1	1980402					0752	67			0000670130				1-58
0010AC	BATTERY ASM		2	1980402					0752	67			0000670130				1-59
0020AA	GREASE BAT TERM		*	9985007					0752	67							2-1
0030AA	MUT BAT GRD/ENG		1	120377					0752	61							2-3
0030AB	25:30 FT LBS								0752	61							2-5
0040AA	WASHER LOCK		1	138489					0752	61							2-6
0050AA	CABLE BAT NEG		1	12000943					0752	61			0000610115				2-8
0050AB	CABLE BAT NEG		1	8910954					0752	61			0000610115				2-8
0060AA	SCREW @ ELEC PLT		1	9422404					0754	87							2-10
0070AA	NA LR		1	120423					0754	87							2-11
0080AA	CABLE BAT POS		1	12000224					0754	87			0000870095				2-12
0090AA	CBL J/BLK MAG SW		1	12000942					0782	37			0000370010				2-13
0100AA	STRAP ASM		1	8877974					0754	87			0000870100				2-14
0110AA	BLCK		2	700955					0782	37			0000370015				2-15
0120AA	SCREW		2	156258					0782	37							2-16
0130AA	SCREW		2	449249					0782	37							2-17
0140AA	WASHER		2	138538					0782	37							2-18
0150AA	MUT		2	120376					0782	37							2-19
0160AA	CBL AUX BAT GRD		1	8910953					0752	61			0000610120				2-20
0220AA	CABLE ASM		1	8910948					0754	87			0000870105				2-21
0230AA	CBL J/BLK MAG SW		1	12000942					0782	37			0000370020				2-22
0240AA	CBL BAT POS AUX		1	12000945					0754	87			0000870110				2-23
0250AA	CBL MAG SW C/BRK		1	12000944					0754	87			0000870115				2-24
0260AA	CBL LIVING AREA		1	12000168			60		0704	12			0000120005				2-25

1 2 3 4 5 6 7 8 9 10 11 12 13 14 15 16 17 18 19 20 21 22 23 24 25 26 27 28 29 30 31 32 33 34 35 36 37 38 39 40 41 42 43 44 45 46 47 48 49 50 51 52 53 54 55 56 57 58 59 60 61 62 63 64 65 66 67 68 69 70 71 72 73 74 75 76 77 78 79 80 81 82 83 84 85 86 87 88 89 90 91 92 93 94 95 96 97 98 99 100	ZE05000		MODEL YEAR 1978
			ORIGIN DATE 770801
			LAST CHG. DATE
			LAST CHG. CODE
MODEL APPLICATION		70 12A A 2	
BATTERY & LEADS		M. P. S. 878 P. 008	
UPC DESCRIPTION			



PRODUCT DESCRIPTION MANUAL

DMT 1001 REV. 8/79

SKID TRUCK & CRACKER

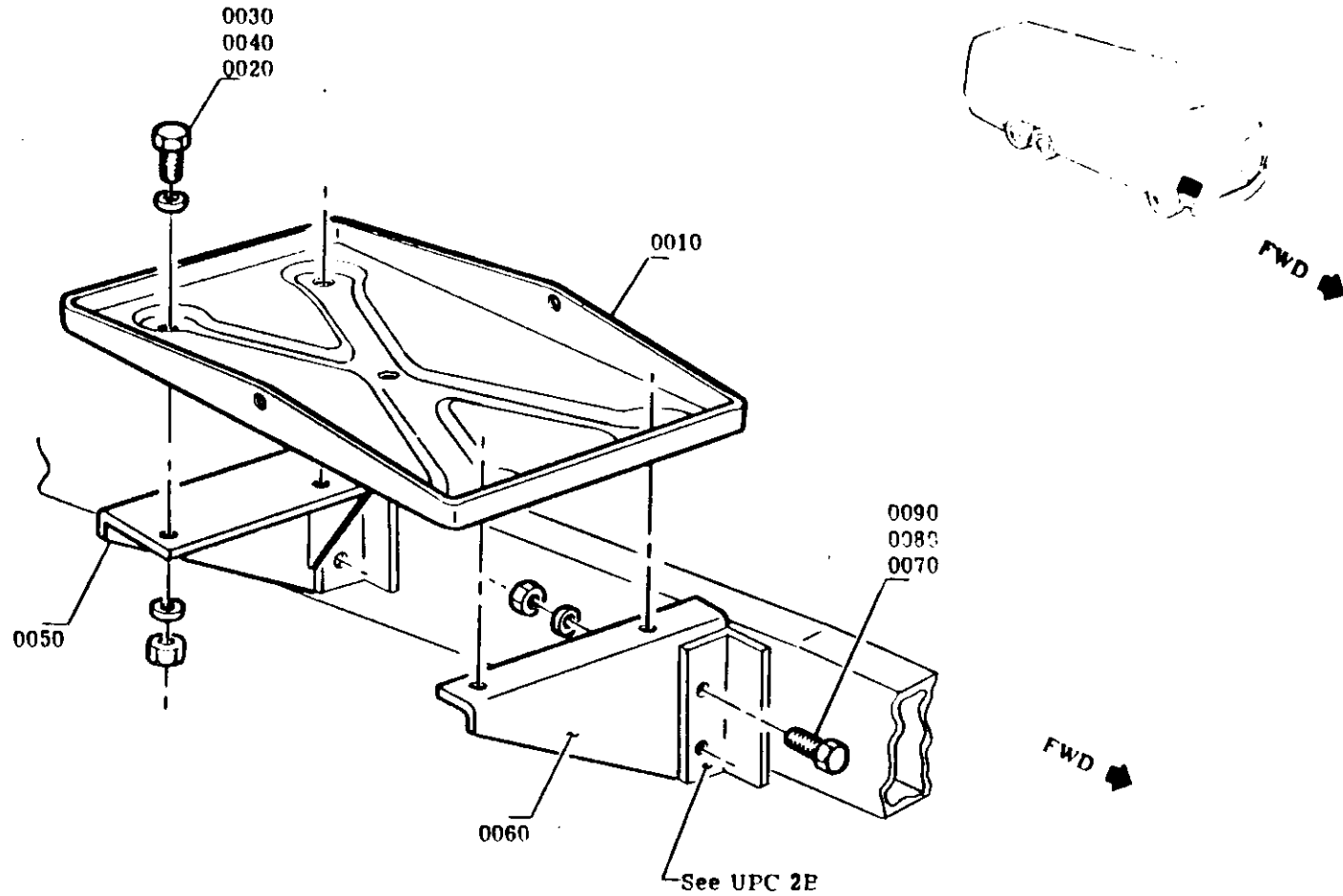
ASSEMBLY INFORMATION

ITEM	PART OR TOOL DESCRIPTION	ADD'L DATA	QTY	PART NUMBER	ENGINE CODES	SERIES	REV	ITEM RESTRICTION	DEPARTMENTS		CHANGE		LOGIC CODE	FUNCTION CODE	ADDITIONAL CODES	PNA	LINE NOB
									#1	2/STA	CD	AUTH					
0270AA	CBL LIVING AREA			112000167		65	83		0704	12			0000	120010			2-44
0280AA	TAPE			R35A1A			83		0704	12							2-44
0290AA	STRAP ASM			8877974			83		0754	87			0000	870120			2-50
0300AA	BLACK BAT JUNCT			700955			83		0782	37			0000	370025			2-52
0310AA	SCREW			156258			83		0782	37							2-54

F.M.Y.88	MODEL YEAR 1978	ORIGIN DATE 770801
	MODEL APPLICATION	LAST CHG. DATE
	BATTERY & LEADS	LAST CHG. CODE
	VPS DESCRIPTION	70 12A A 3 BY W. C. S. SEE PAGE



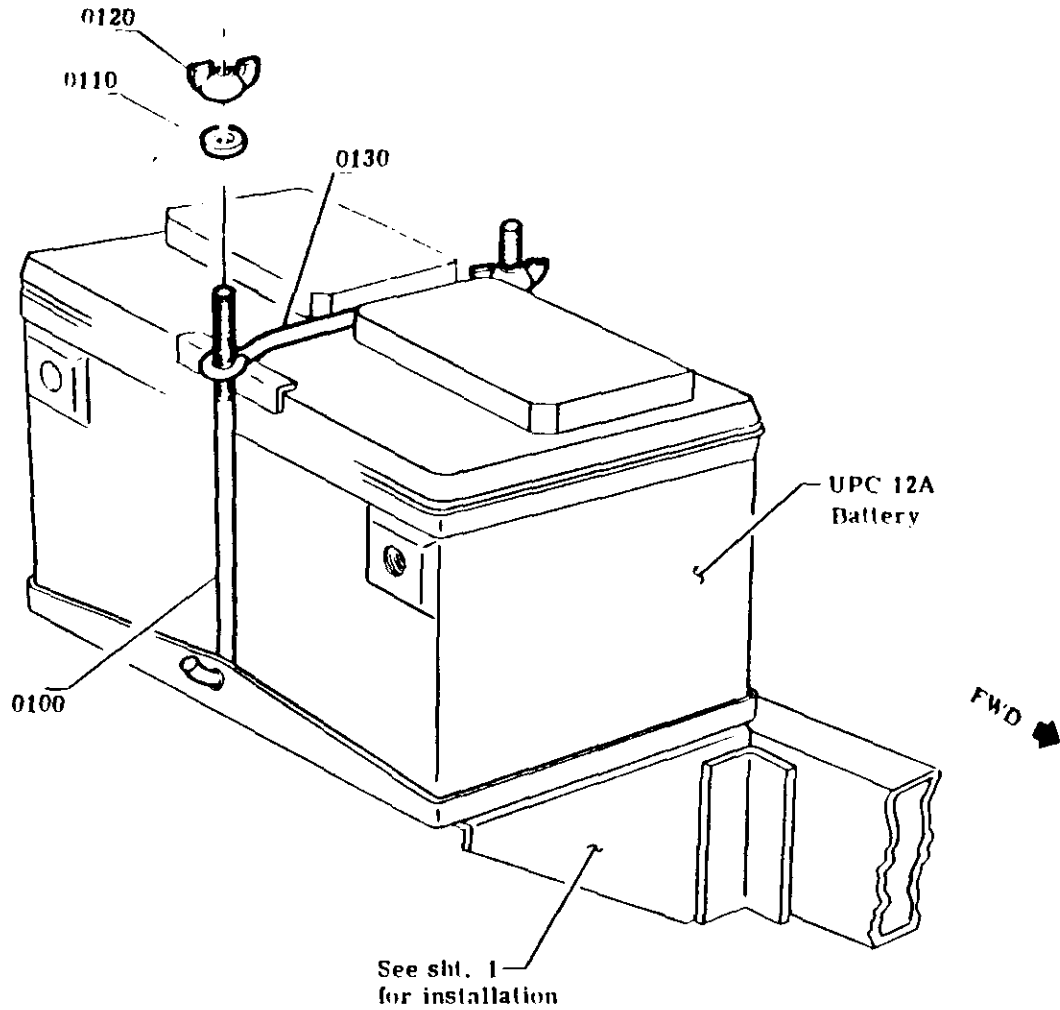
GMT 922 1/75



BY WHOM (Installation) - (LBS)	BY WHOM (Inspection) - (LBS)	DATE	SYM	REVISION	AUTH	DR	ES	DEPARTMENTS	78 TRUCK	BOOK 70
△				UP-101-11 RELEASE				R Thompson	TITLE	
△									BATTERY HOLD DOWN (SUB-ASM.)	
△									(SEE 658)	
△									NAME	DIVISION/UPC
△									BATTERY	12B
△									BOX & SUPT.	1

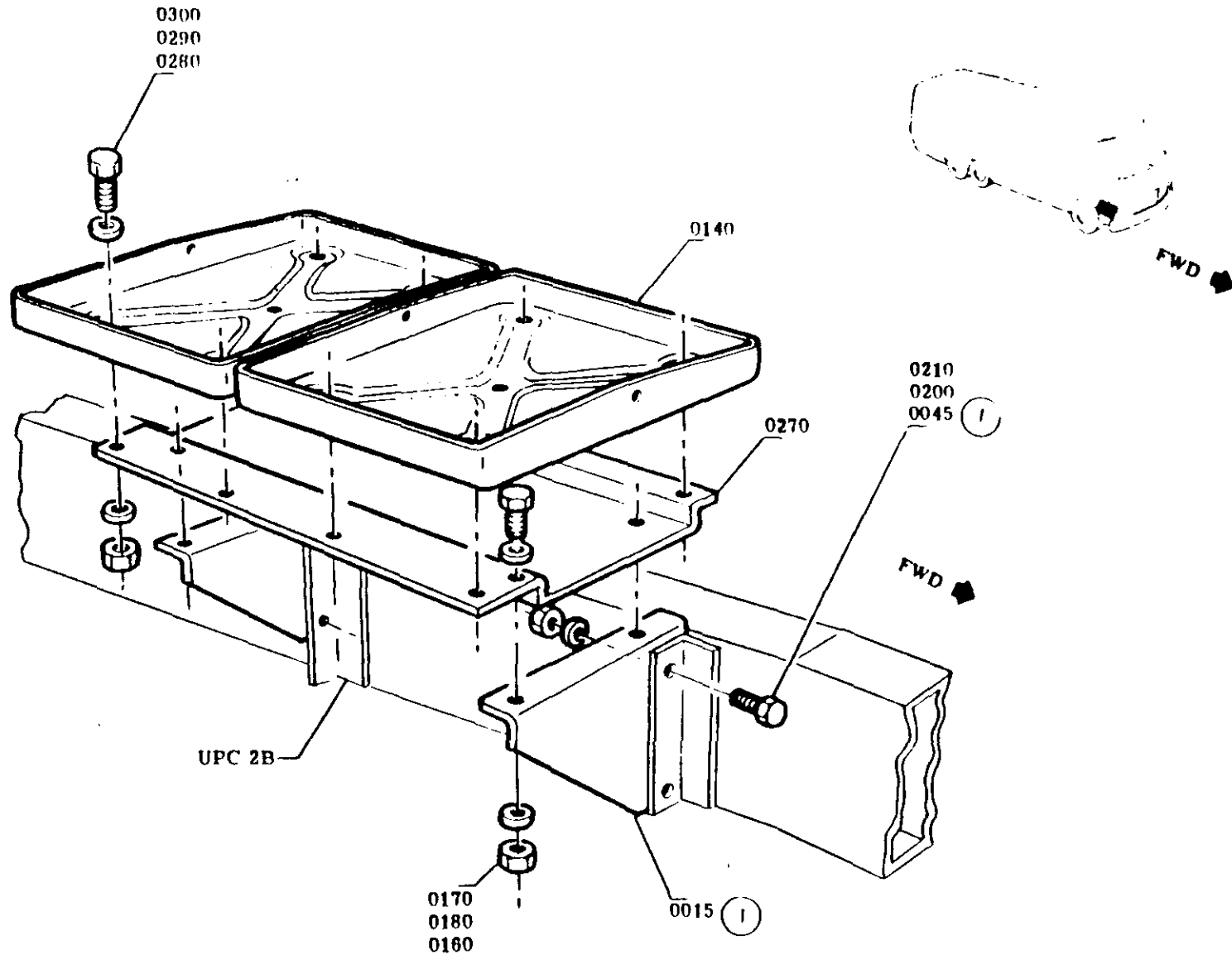


GMT 922 1-75



BY (Name) (Initials) - LPS	DATE	SYN	REVISION	AUTH	DR	EN	DEPARTMENTS	TITLE
△ △ △ △			CONTINUING REVISION				K. Thompson	78 TRUCK BOOK 70
								BATTERY HOLD DOWN RETAINER ZE06581
								NAME: BATTERY BOX & SUPT. DIVISION/UPC: 12B SHEET: 2

GMI 922 1 75



BY DRAWN (Installation) - LBS	MADE (Inspection) - LBS	DATE	SYM	REVISION	AUTH	DR	CR	DEPARTMENTS	TRUCK	BOOK
		6/27/77		ORIGINAL RELEASE					78 TRUCK	BOOK 70
		1/8/77		REP. UNIS. W/AS. DISC. 1/10/77 W/AS. DISC.	6/27/77					
									TIME	
									BATTERY HOLD DOWN (SUB-ASM)	
									ZE06083 ZE06583	
									NAME	
									BATTERY	
									BOX SUPT.	
									DIVISION/UPC	
									128	
									SHEET	
									3	

PRODUCT DESCRIPTION MANUAL

ASSEMBLY INFORMATION

ITEM	PART OR ITEM DESCRIPTION	QTY	PART NUMBER	ALIAS CODE	QTY	QTY	QTY	QTY	QTY	QTY	QTY	QTY	QTY	QTY	QTY	QTY	QTY	QTY
000000	BAT SUPT ASM	1	U7954															
000001	BAT BRD LN	1	U7947															
001000	TRAY ASM BAT	1	2005494															
001500	BRACKET TRAY	2	2005492															
002000	BOLT TRAY BRKT	4	9437568															
002500	NUT BOLT	4	9422275															
003000	WASHER BOLT	8	9418304															
003500	BOLT TRAY	4	9418822															
004000	BRKT ASM	1	790630															
004500	BRKT TRAY FR	1	2005492															
005000	BOLT BRKT	4	9418822															
005500	WASHER BRKT	4	2436163															
006000	NUT BRKT	4	9422277															
006500	BOLT TRAY	2	3826708															
007000	WASHER TRAY	2	9418304															
007500	NUT TRAY	2	142745															
008000	RETAINER BAT	1	533308															
008500	STUD RET	4	3826708															
009000	WASHER	4	9418304															
009500	NUT	4	142745															
010000	RETAINER ASM	4	533308															

ZE 06X00

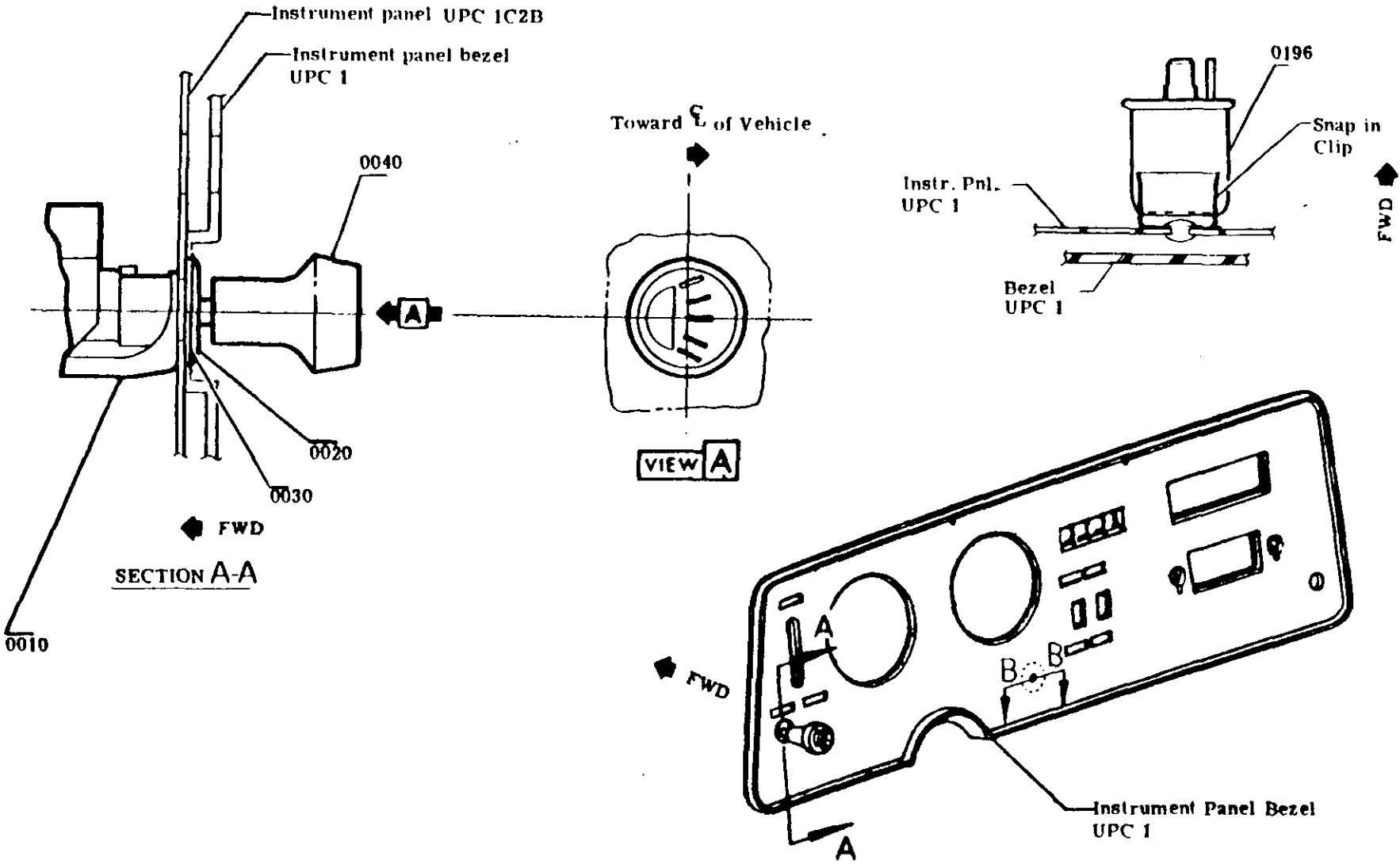
MODEL APPLICATION
BATTERY BOX & SUPPORTS
UPC DESCRIPTION

MODEL YEAR 1976
ORIGIN DATE 770801
LAST CHG DATE 11008
LAST CHG CODE 61390
70 125 A 1
BK U. P. C. GRP PAGE

REFERENCE



GMT 922 1-73

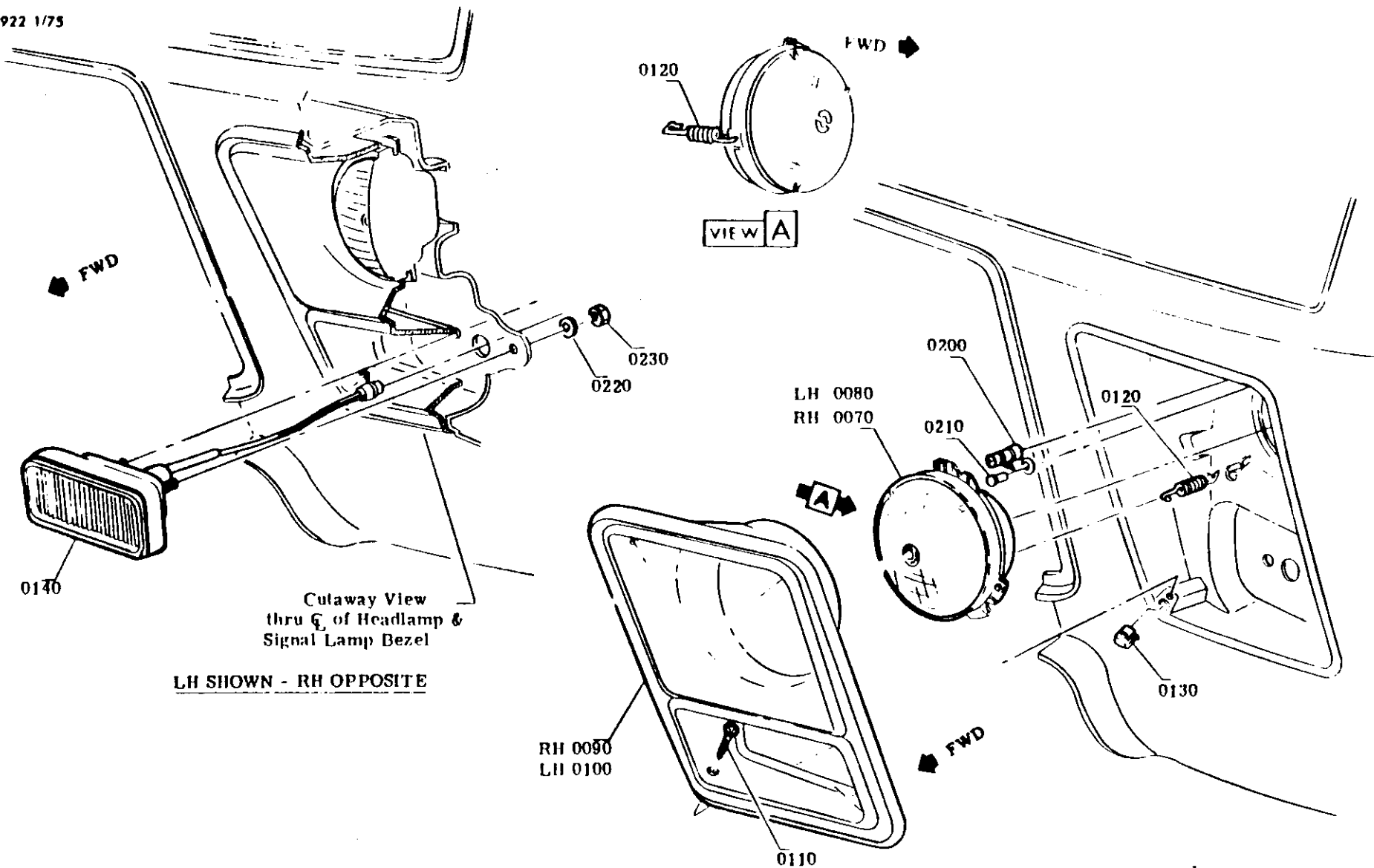


DYKING (Installation) - LBS	WIND (Inspection) - LBS	DATE	SYM	REVISION	AUTH	DR	CR	DEPARTMENTS
▲ ▲ ▲ ▲ ▲		6/17/77		ORIGINAL RELEASE	1/1000	CT	RS	P. Thompson

78 TRUCK		BOOK 70
TITLE		
LIGHT SWITCH & EMERGENCY FLASHER		
FRT.	DRIVER	UNIT
LAMPS & TURN SIG.	12C	1

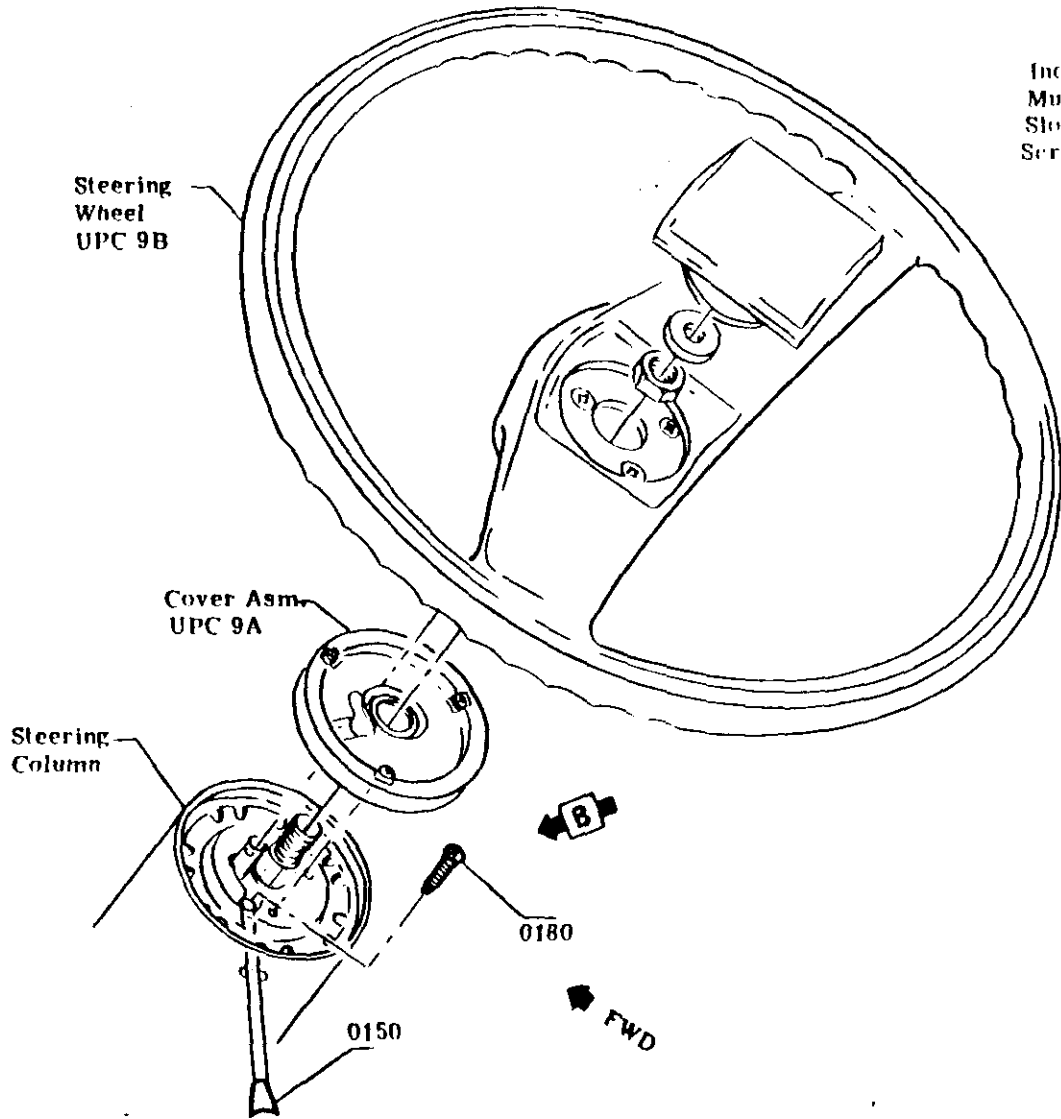
□ ITEM REFERENCE ◇ PROCESS MATERIAL △ TORQUE ▣ PART OF OR EXISTING

GMT 922 1/75

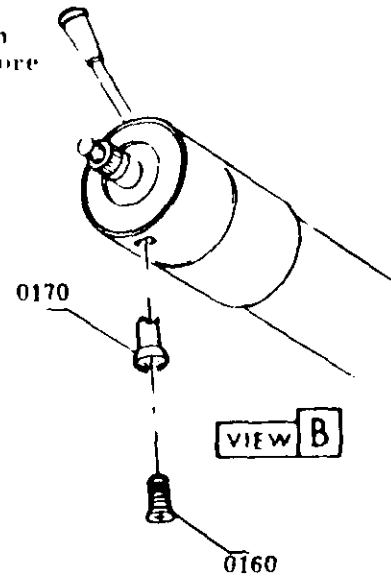


DYNAMIC (Installation) - LBS	STATIC (Inspection) - LBS	DATE	SYD	REVISION	AUTH	DR	CK	DEPARTMENTS	78 TRUCK	BOOK 70
△		6/77		ORIGINAL RELEASE	9/2000			PAR Thompson		
△									TITLE	HEADLAMP & PARKING LAMP
△									NAME FRONT LAMPS & TURN SIGNAL	DIVISION/UPC 12C
△										SHEET 3

GMT 922 1/75



Index Tab on Knob
Must be Engaged in
Slot in Column Before
Screw Installation



DATE	SYM	REVISION	AUTH	DR	LG	DEPARTMENTS	78 TRUCK	BOOK 70
4-77		ORIGINAL RELEASE	97000	4		R Thompson		
							TITLE	
							TURN SIGNAL LEVER & EMERGENCY FLASHER KNOB	
							NAME FRONT LAMPS & TURN SIGNAL	DIVISION/UPC 12C
								SHEET 5



ASSEMBLY INFORMATION

IT	PART OR TOOL DESCRIPTION	ADD'L DATA	QTY	PART NUMBER	ENGINE CODES	SERIES	BOX	PART	ITEM RESTRICTION	DEPARTMENTS		CHANGE		LOGIC CODE	FUNCTION CODE	ADDITL CODES	FNA	LINE NOB
										#1	2/STA	CD	AUTH					
AA01024	STRG GR COL & MIL		*	L3536						0782								1.8
AA02024	HOLP DIR SIG		*	L4272						0782								1.9
AA03024	1/P WRG HARN		*	L6922						0782								1.11
AA04024	1/P CSTR WRG		*	L6924						0782								1.12
AA05024	FWD LP WRG HARN		*	L6925						0782								1.14
AA06024	LGT SW INSTL		*	L4234						0782								1.16
AA07024	INST CSTR		*	L7869						0782								1.18
AA08024	HOLP AIMING INST		*	MD96984						0782								1.20
0010AA	SWITCH ASM LGT		1	1995194						0782	44		0000440160					1.32
0020AA	NUT ASM		1	1946329						0782	44							1.34
0030AA	WASHER		1	120395						0782	44							1.36
0040AA	ROD ASM		1	3986886						0782	44		0000440165					1.38
0050AA	SWITCH ASM DIMR		1	1997043						0782	42		0000420285					1.40
0060AA	SCREW DIMR SW		2	9419322						0782	42							1.42
0070AA	HEAD LAMP ASM RH		1	5963119						0782	37		0000370030					1.44
0080AA	HEAD LAMP ASM LH		1	5963120						0782	37		0000370035					1.46
0090AA	BEZEL RH HOLP		1	696186						0782	37		0000370040					1.48
0100AA	BEZEL LH HOLP		1	696187						0782	37		0000370045					1.50
0110AA	SCREW HOLP BZL		6	9426436						0782	37							1.52

1 2 3 4 5 6 7 8 9 10 11 12	ZE05000	MODEL YEAR 1978
	MODEL APPLICATION	ORIGIN DATE 770001
	PRT LAMPS & TURN SIGNALS	LAST CHG. DATE
UFC DESCRIPTION		LAST CHG. QTY
		70 12C A 1



PRODUCT DESCRIPTION MANUAL

ASSEMBLY INFORMATION

ITEM	PART OR TOOL DESCRIPTION	ADD'L DATA	QTY	PART NUMBER	M TOI	ENGINE CODES	SERIES	BODY BRN	ITEM RESTRICTION	DEPARTMENTS		CHANGE CD	AUTH	LOGIC CODE	FUNCTION CODE	ADDITION CODES	NA	LINE NOS
										41	7/STA							
0120AA	SPRING ADJ		2	496096						0782	37			0000	370050			1.54
0120AA	NUT BEZEL		8	9431530						0782	37							1.54
0140AA	LAMP ASM		2	916558						0782	37			0000	370055			1.58
0150AA	LEVER DIR		1	408237					-K30	0782	45			3646	450130			2.1
0150AA	LEVER & SW ASM		1	6465256					K30	0782	45			3647	450130			2.2
0160AA	KNOB HAZZARD		1	411525						0782	45			3647	450135			2.4
0170AA	SCREW KNOB		1	11502830						0782	45							2.6
0170AA	5:8 IN LBS									0782	45							2.7
0170AA	SCREW LVR		1	9420721						0782	45							2.9
0175AA	HARN CRUISE CON		1	8913571					K30	0782	45			3647	450140			2.1
0190AA	FLASHER DIR SIG		1	491302						0782	45			0000	450145			2.13
0192AA	CLIP FLASHER		1	3943610						0782	45			0000	450150			2.15
0194AA	RIVET CLIP		1	2477053						0782	45							2.17
0196AA	FLASHER HAZ LP		1	673499						0782	45			0000	450155			2.19
0220AA	BRKT ASM HOLD		4	5964500						0782	37			0000	370200			2.21
0210AA	RIVET HOLD BRKT		8	693102						0782	37							2.23
0220AA	WASHER		4	120392						0782	37							2.25
0230AA	NUT		4	271178						0782	37							2.27
0240AA	CLIP		2	2399080						0782	37			0000	370065			2.29
0250AA	LINK DIR SIG		1	12000940						0782	37			0000	370070			2.31
0260AA	SCREW GRD		1	9414711						0782	37							2.33
0270AA	WASHER		1	121752						0782	37							2.35

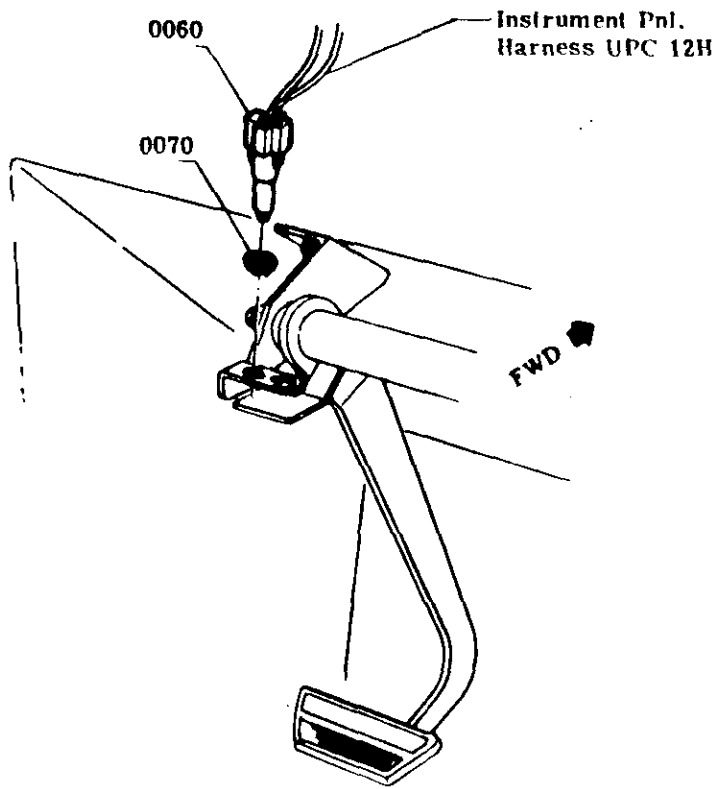
ZE05000

MODEL APPLICATION
 FRT LAMPS & TURN SIGNALS
 UPC DESCRIPTION

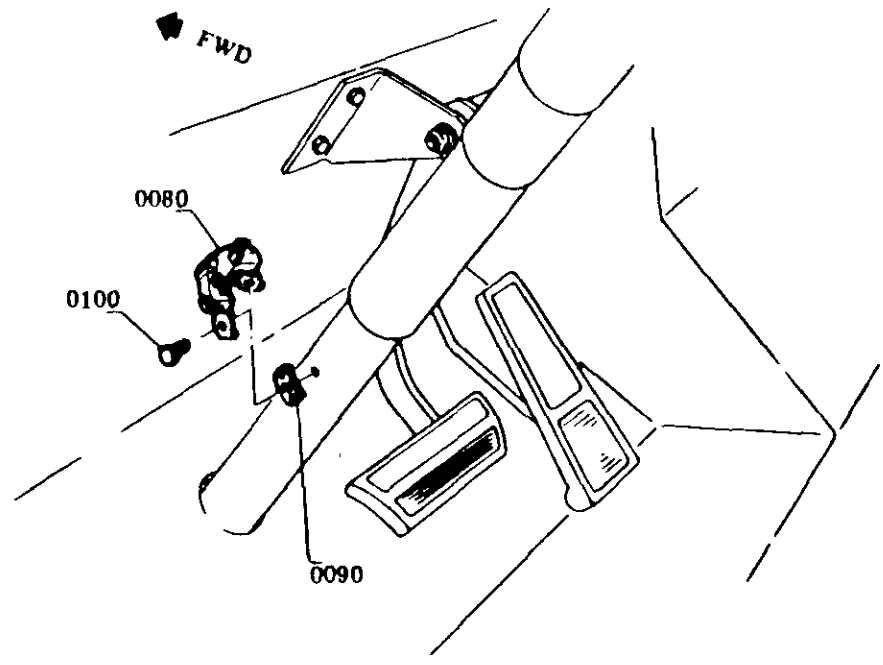
MODEL YEAR 1978
 ORIGIN DATE 770801
 LAST CHG DATE
 LAST CHG CODE

70 12C A 2
 BK U. P. G. SUP PAGE

GM 922 1-73



STOP LAMP SWITCH ASM.



NEUTRAL & BACK UP LAMP SWITCH

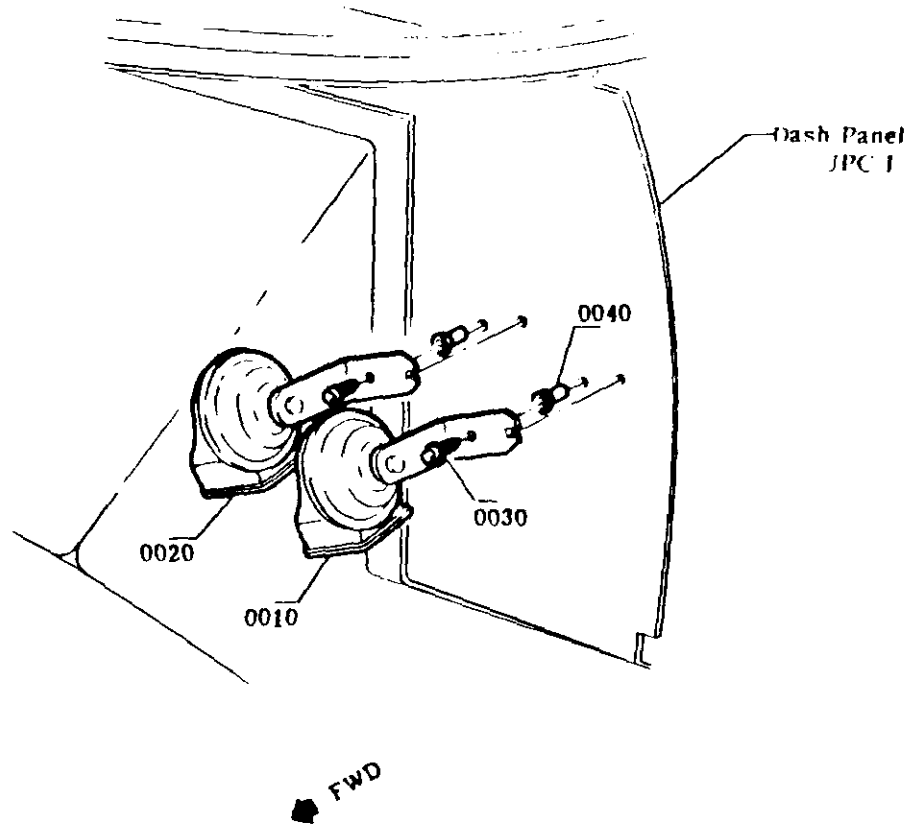
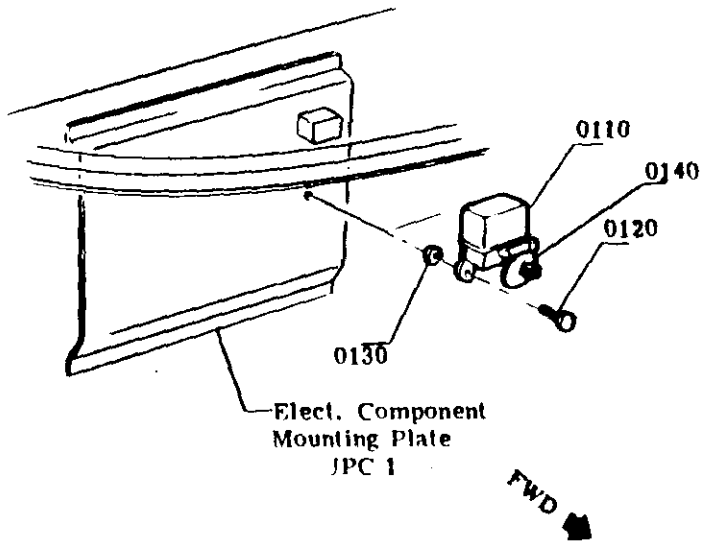
DATE	SYN	REVISION	AUTH	DR	CK	DEPARTMENTS	'78 TRUCK		BOOK 70
7-77		ORIGINAL RELEASE	H. J. ...			THOMPSON	FILE	TAIL LAMP SWITCH ASSEMBLIES	
							REAR LAMPS	12E	2



ITEM	PART OR TOOL DESCRIPTION	ADD'L DATA	QTY	PART NUMBER	ENGINE CODES	SERIES	BODY	ITEM RESTRICTION	DEPARTMENTS		CHANGE		LOGIC CODE	FUNCTION CODE	ADDITIONAL CODES	LINE NOS
									#1	2/STA	CD	AUTH				
AA01014	REAR BODY WRG		*	14218					0782							1.8
AA01024	HARN INSTAL								0782							1.9
AA02014	STRG WHL IC GEAR		*	13536					0782							1.11
AA03014	S/LP & DNSHFT		*	14259					0782							1.13
AA03024	SW INSTAL								0782							1.14
AA04014	RR STOP LP ST		*	14301					0782							1.16
AA04024	MKR & LIC PLT								0782							1.17
AA04034	INSTAL								0782							1.18
0010AA	LAMP ASM		Z	911255					0782	38			0000380110			1.23
0020AA	BEZEL LH		1	3970173					0782	38			0000380115			1.25
0030AA	BEZEL RH		1	3970774					0782	38			0000380120			1.27
0040AA	NUT ASM		R	271178					0782	38						1.29
0050AA	WASHER		R	120392					0782	38						1.31
0060AA	SWITCH ASM		1	38P6006			-K30		0782	42			3645420290			1.33
0060AB	SWITCH ASM		1	3902264			K30		0782	42			3647420290			1.35
0070AA	NUT		Z	107829					0782	42						1.36
0080AA	SWITCH ASM		1	1094153					0782	45			0000450160			1.38
0090AA	RETAINER		Z	406308					0782	45			0000450165			1.40
0100AA	SCREW		Z	7806573					0782	45						1.42
0110AA	LAMP ASM		1	913060					0782	38			0000380125			1.44
0120AA	SCREW		Z	157187					0782	38						1.46
0130AA	NUT		1	120614					0782	38						1.48
0140AA	NUT		Z	271169					0782	38						1.50
0150AA	BRKT PR LIC LP		1	696144					0782	38			0000380130			1.52
0160AA	SEAL		1	696145					0782	38						1.54
0170AA	SCREW		Z	157166					0782	38						1.56

1 2 3 4 5 REV. 88	REFERENCE	ZEO5000	MODEL YEAR 197P
			ORIGIN DATE 770801
			LAST CHG. DATE
			LAST CHG. CODE
		MODEL APPLICATION	70 12F A 1
		REAR LAMPS	SK U. P. C. OR PAGE
		UPC DESCRIPTION	

GMT 922 1 75



DYNAMIC (Inspection) - 105	HAZ (Inspection) - 105	DATE	SYM	REVISION	AUTH	DR	TR	DEPARTMENTS	'78 TRUCK BOOK 70	
△		7-75		ORIGINAL RELEASE	47000	J		THAMPSON	TITLE HORN ASSEMBLY	
△									NAME HORNSWITCH & MOUNTING	
△									DIVISION/JPC 12G	
△									SHEET 1	

TRUDGET DESCRIPTION MANUAL

ASSEMBLY INFORMATION

ITEM	PART OR TOOL DESCRIPTION	ADD'L DATA	QTY	PART NUMBER	ENGINE CODES	SERIES	REV	ITEM RESTRICTION	DEPARTMENTS		CHANGE		LOGIC CODE	FUNCTION CODE	ADDITIONAL CODES	LINE NOS.
									#1	Z/BTA	CD	AUTH				
AA01024	HORN L/D		1	14260					0782							1-8
AA02014	ENG & CHAS MRC		1	18752					0782							1-14
AA02024	ENG & CHAS MRC		1	18680					0782							1-14
AA03014	STRG MHI TD S/GP		1	13534					0782							1-14
AA04014	ENG & CHAS MRC		1	17866					0782							1-14
AA04024	ENG & CHAS MRC		1	17867					0782							1-14
0010AA	HORN & BRKT ASM		1	2029365					0782	45		0000450170				1-20
0020AA	HORN & BRKT ASM		1	2029366					0782	45		0000450175				1-22
0030AA	SCREW		2	3897019					0782	45						1-24
0030AB	13/20 FT LBS								0782	45						1-25
0040AA	RIVNUT		2	2273809					0702	5						1-27
0050AA	SWITCH ASM		1	0911905					0782	45		0000450180				1-29
0060AA	SCREW		3	9422835					0782	45						1-31
0060AB	12/15 IN LBS								0782	45						1-32
0070AA	NUT		3	9437000					0782	45						1-34
0080AA	INSULATOR		1	409190				03-BRU	0782	45	573161300	450185				1-36
0090AA	SPRING		1	404234				03-BRU	0782	45	573161300	450190				1-38
0100AA	EYELET		1	3857251				03-BRU	0782	45	573161300	450195				1-40
0110AA	RELAY ASM		1	1115882					0782	37		0000370075				1-42
0120AA	BOLT		1	9422404					0782	37						1-44
0130AA	WASHER		1	120423					0782	37						1-44
0140AA	PROTECTOR		1	404095					0782	45		0000450200				1-44

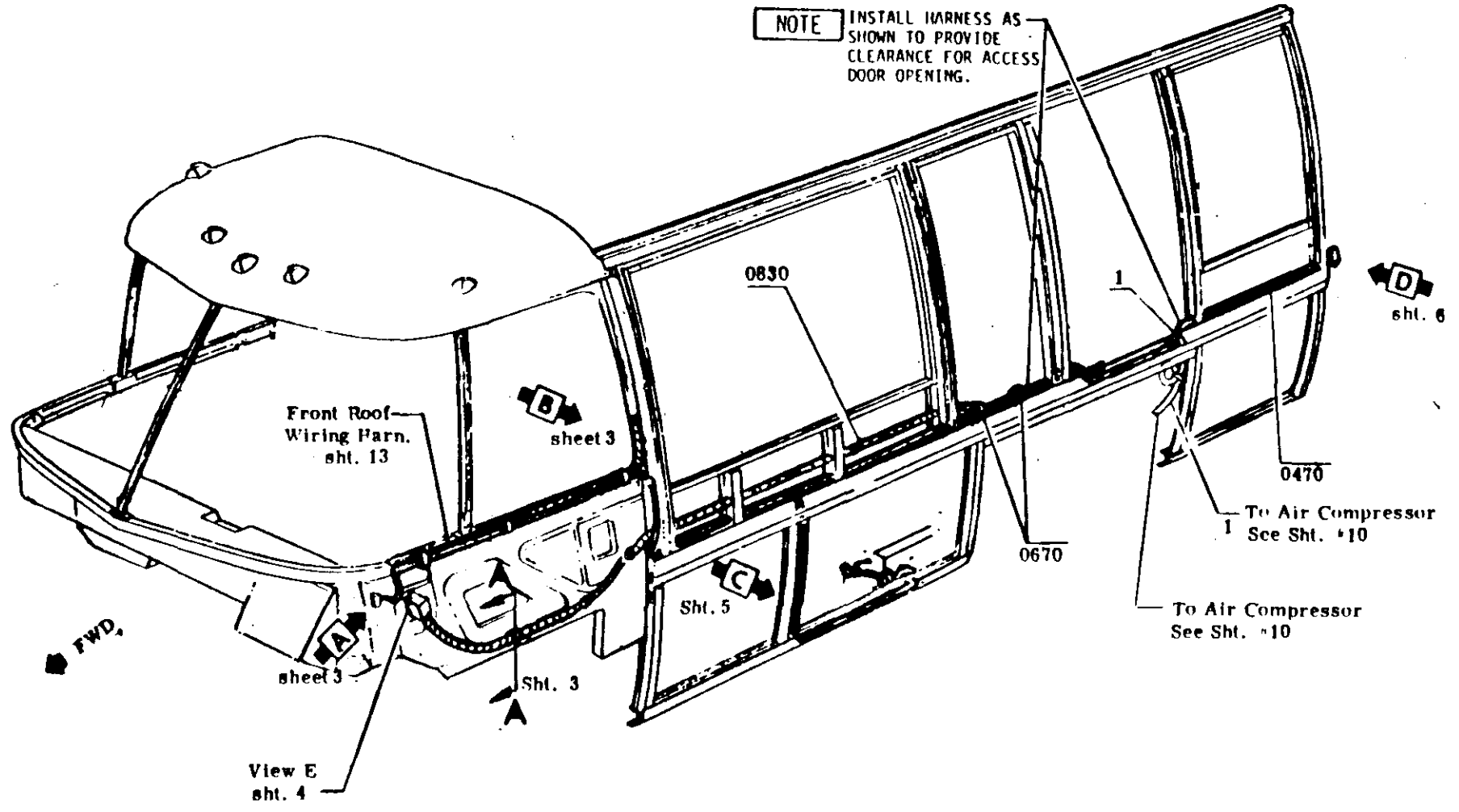
ZE05000

MODEL YEAR 1978
 ORIGIN DATE 770001
 LAST ENG. DATE
 LAST ENG. DATE

MODEL APPROPRIATE
 MAIN SWITCH & MOUNTING

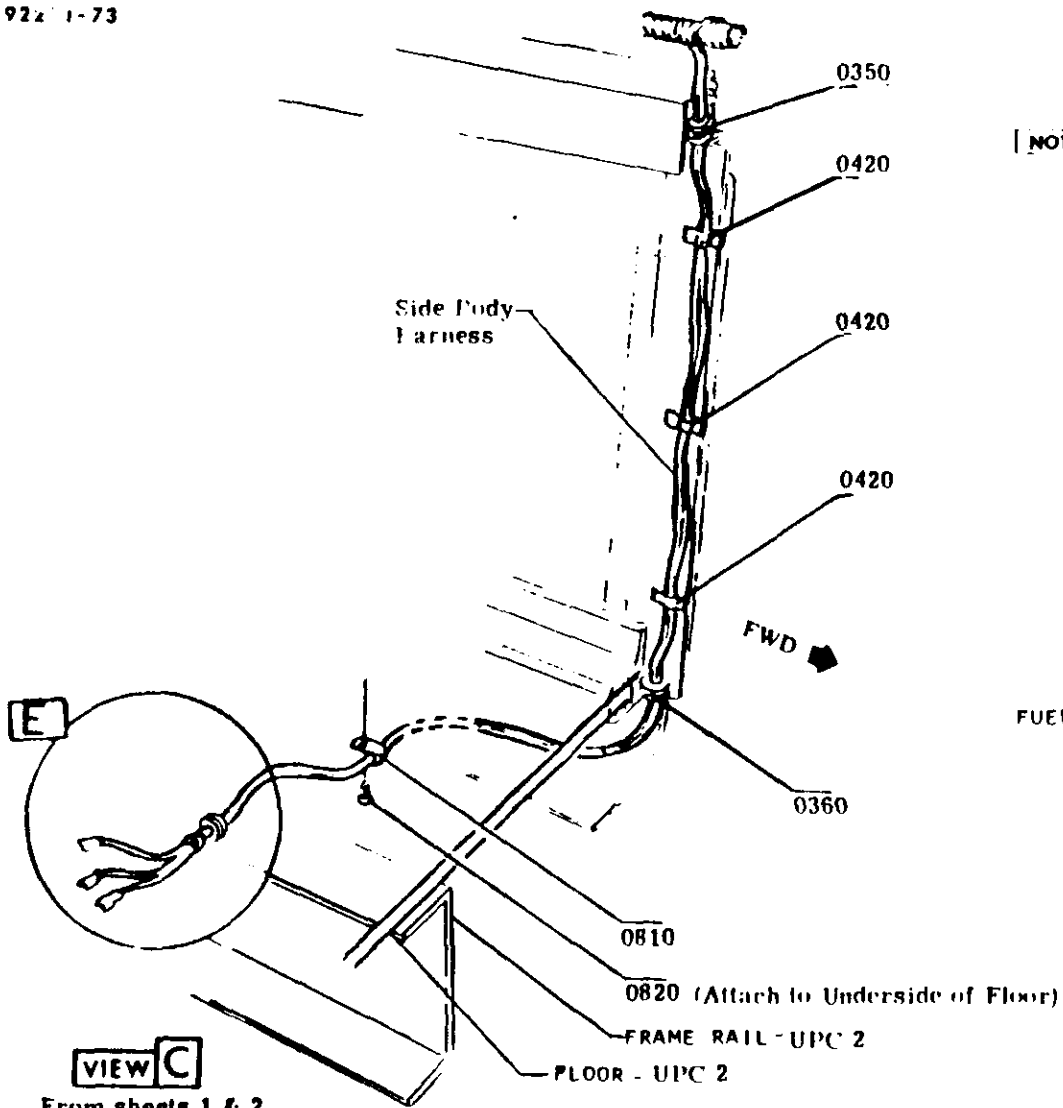
TO 126

GMT 922 1-73

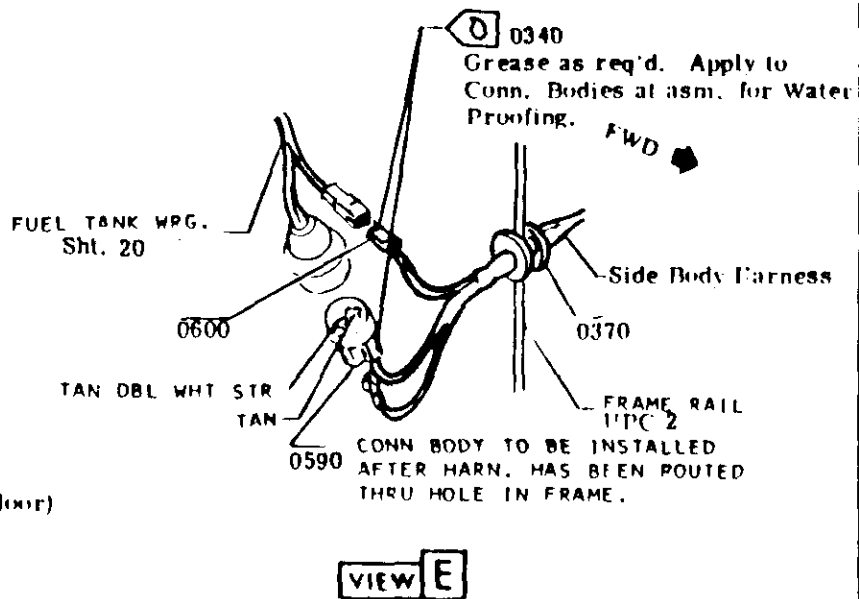


SYNOPSIS (Inspection) - LPS	REASON (Inspection) - LPS	DATE	SYM	REVISION	AUTH	DR	CR	DEPARTMENTS	TITLE
				ORIGINAL RELEASE				Welding	78 TRUCK BOOK 70
									SIDE BODY HARNESS - LH ZE04083
									MAKE TUBES, BULBS & WIRING DIVISION: 12H SHEET: 1

GMT 922 1-73



[NOTE] After Installation of Harness in Body, Fuel Tank Wires are to be pulled out of Main Harness and routed to Fuel Tank before installing Connector Body.



VIEW C

From sheets 1 & 2

VIEW E

DYNAMIC (Installation) - LBS	FRAM (Inspection) - LBS	DATE	SYM	REVISION	AUTH	DR	CR	DEPARTMENTS
		10/22		ORIGINAL RELEASE	WMS	WJH		Johnson

78 TRUCK

TITLE

SIDE BODY HARNESS - L.H.

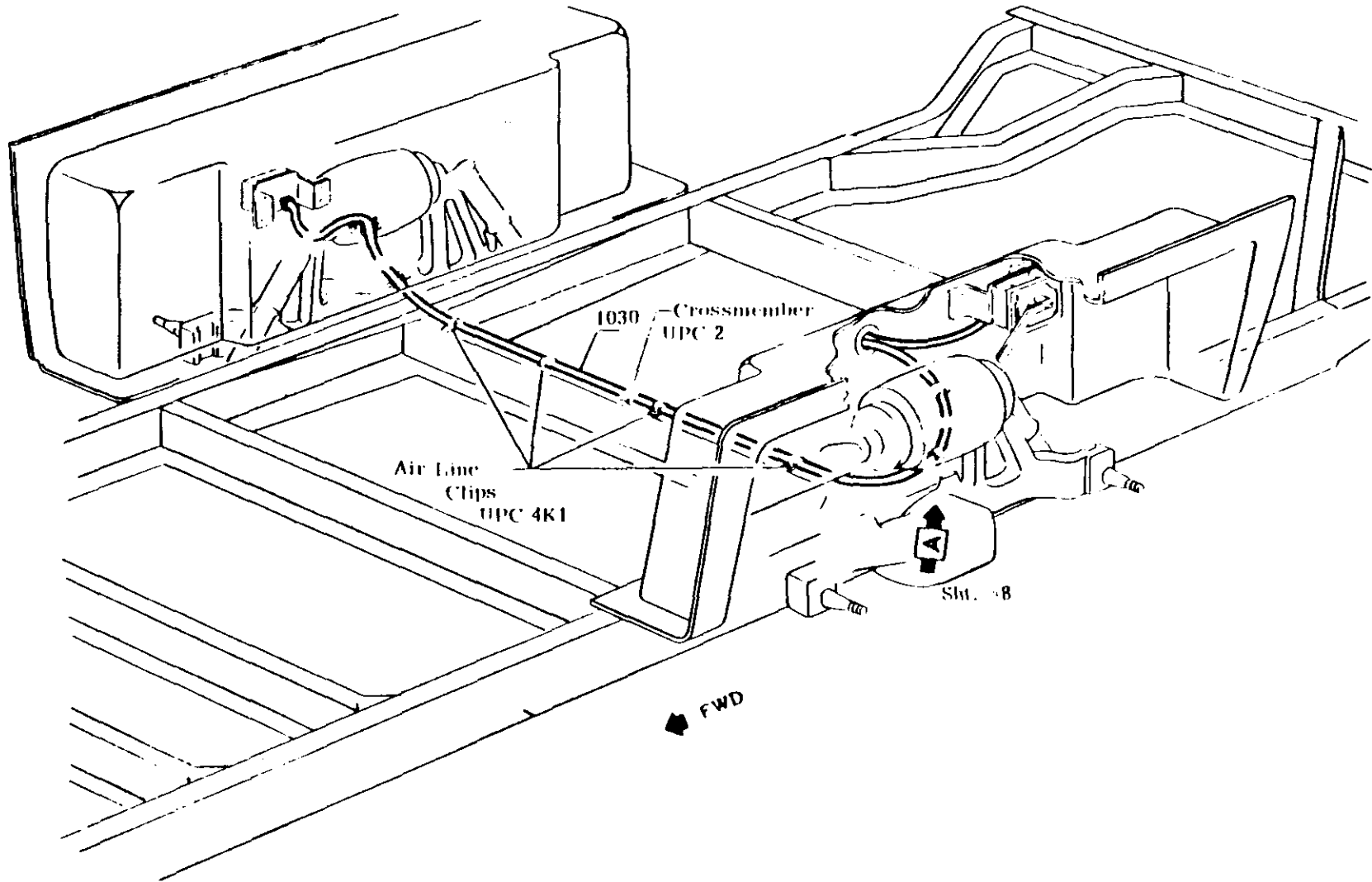
BOOK **70**

NAME FUSES, BULBS & CHASSIS WIRING

DIVISION **12H**

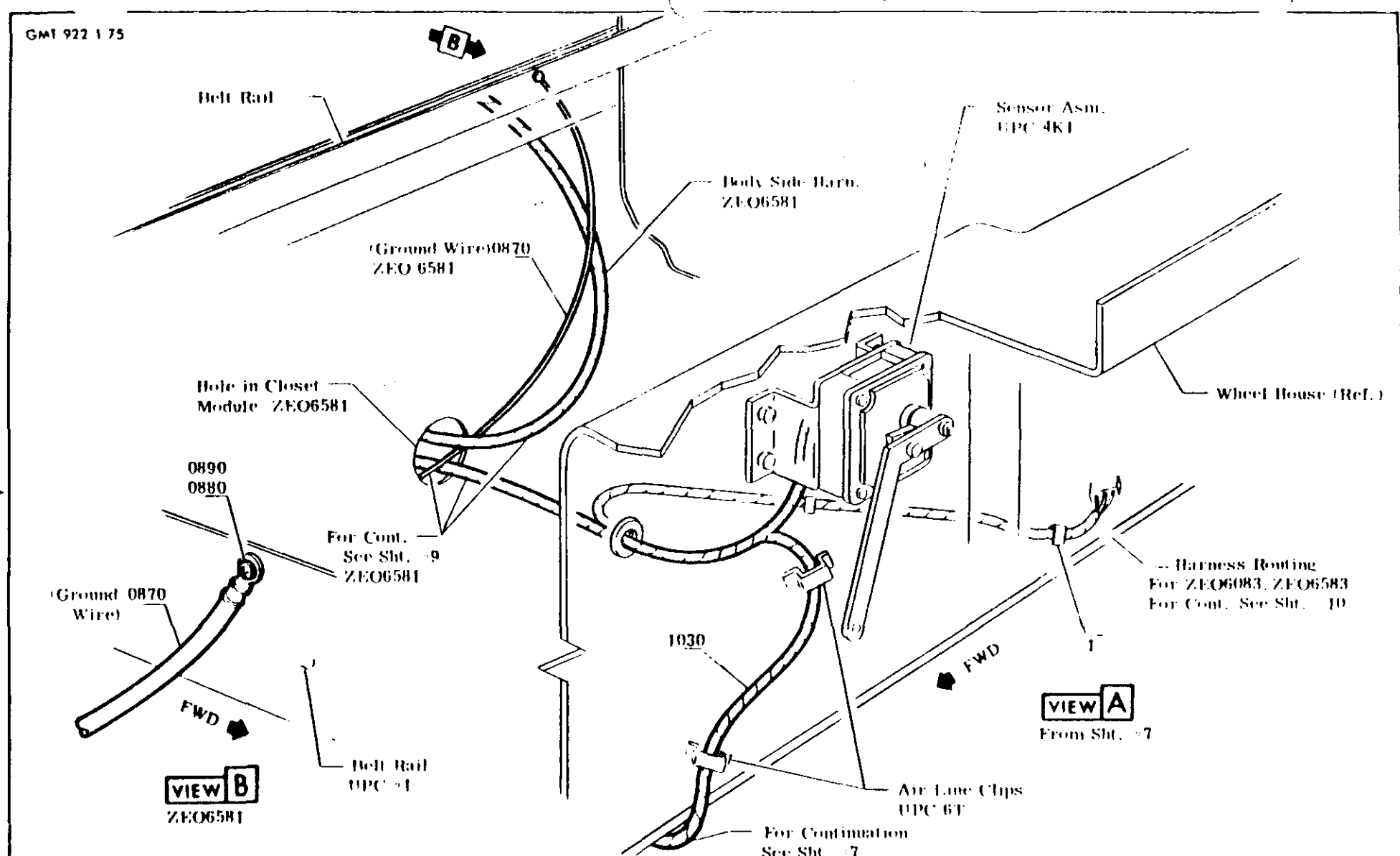
SHEET **5**

GMT 922 1 75



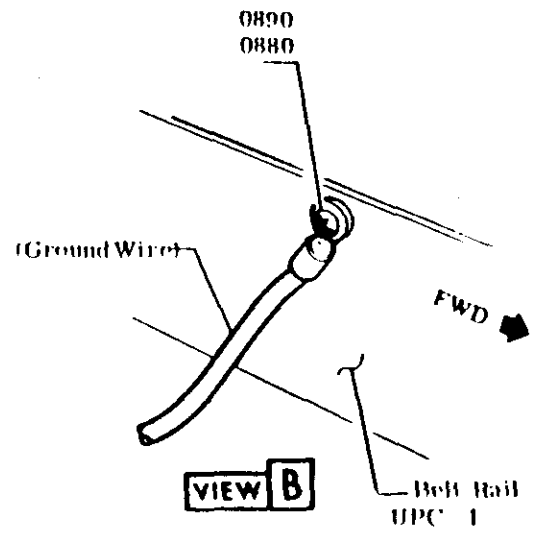
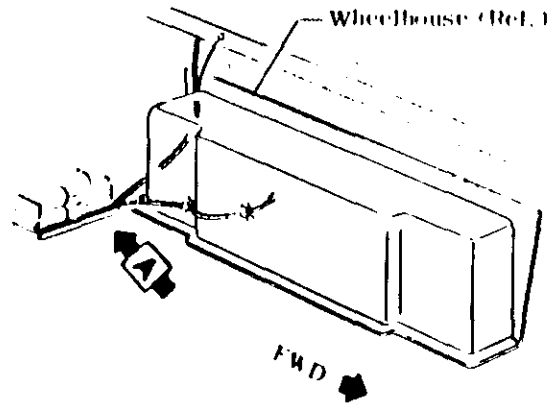
DYNAMIC (Installation) - LBS	HAZARD (Inspection) - LBS	DATE	SYM	REVISION	AUTH	DR	LR	DEPARTMENTS	78 TRUCK	BOOK 70
△				Change to 12H	H. DODG	6/2/75			TITLE	
△									AIR SUSPENSION SENSOR HARNESS	
△									ROUTING	
△									NAME FUSES	DIVISION/UPC
△									BULBS. &	12H
△									CHASSIS WRG	7

GM1 922 1 75

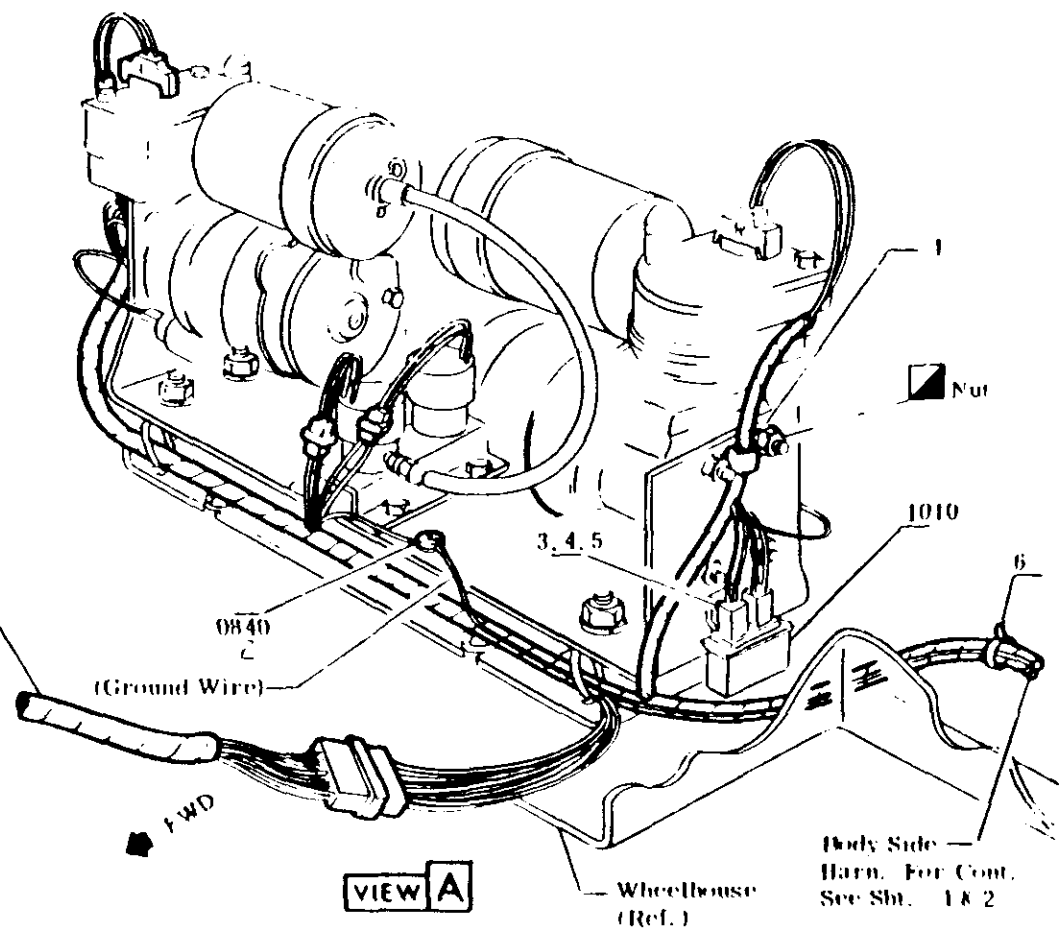


DYNAMIC (Installation) - IBS	RAMD (Inspection) - IBS	DATE	SYM	REVISION	AUTH	DR	EN	DEPARTMENTS	78 TRUCK	BOOK 70
				ORIGINAL RELEASE	4/20/88	SRV		Chassis	AIR SUSPENSION SENSOR - WIRING	
									NAME FUSES	DIVISION/UPC
									BULBS &	12H
									CHASSIS WRG	8

GMT 922 1/75

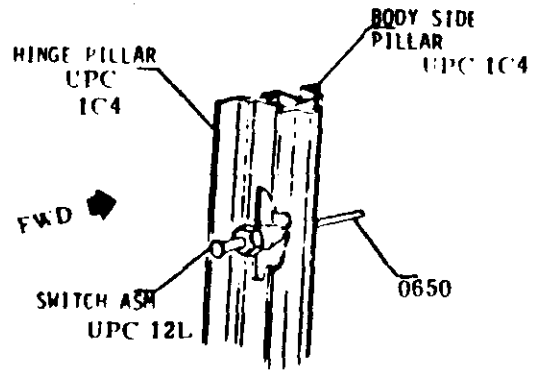


Sensor Harness
For Cont. See Sht. B

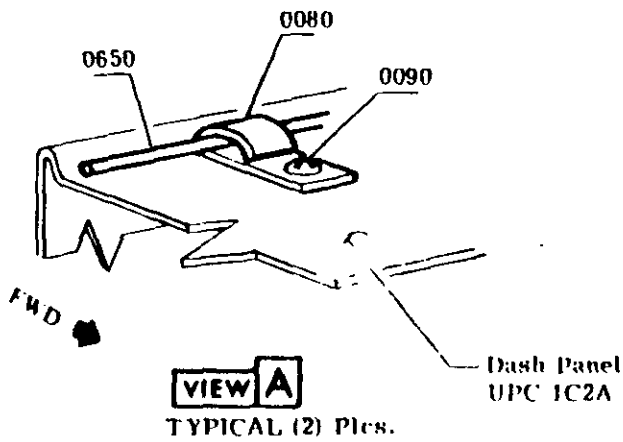


BY (Date)	INSPECTED (Date)	DATE	SYM	REVISION	AUTH	DR	CR	DEPARTMENTS	TRUCK	BOOK
									78	70
									AIR SUSPENSION	
									COMPRESSOR - WIRING	
									ZEO6083 ZEO6583	
									FUSES	DIVISION/UPC
									BULBS &	12H
									CHASSIS WRG	10

GMT 922 1-73

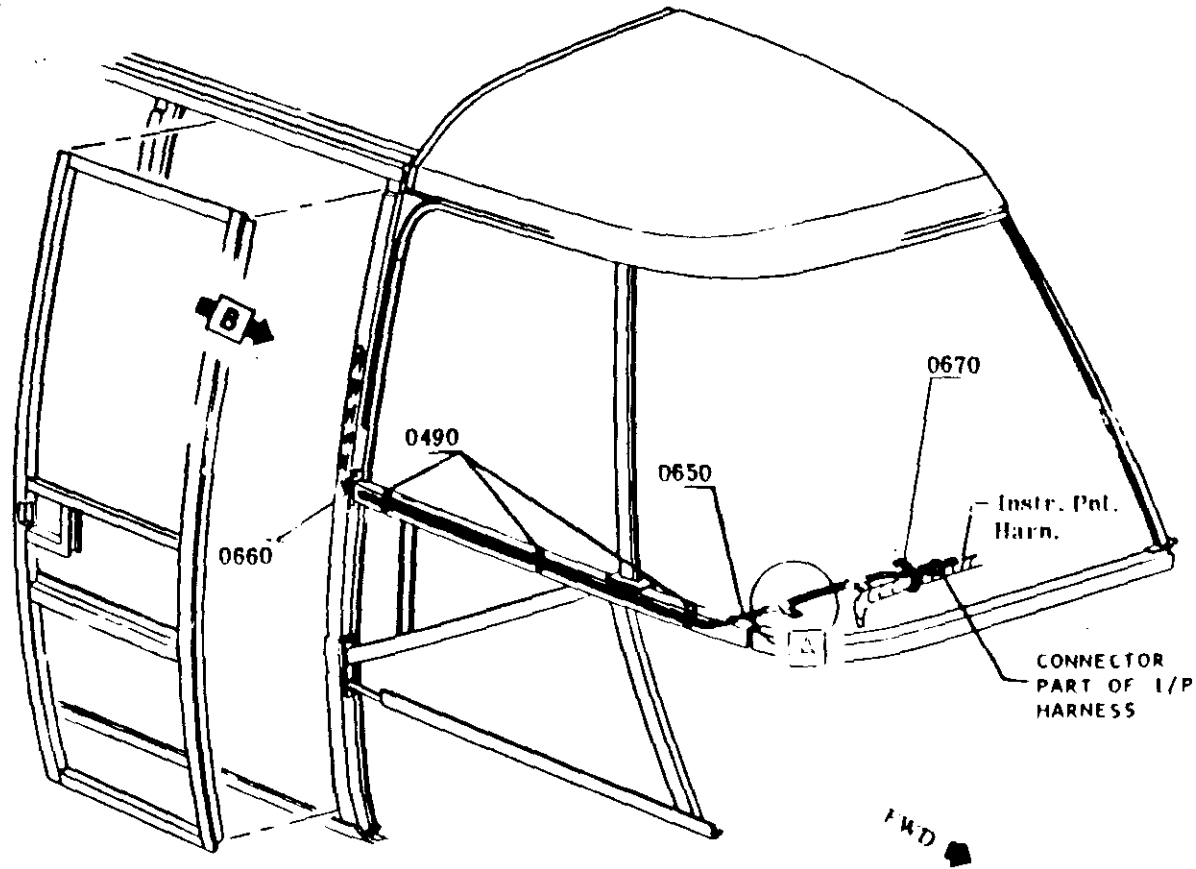


VIEW B



VIEW A

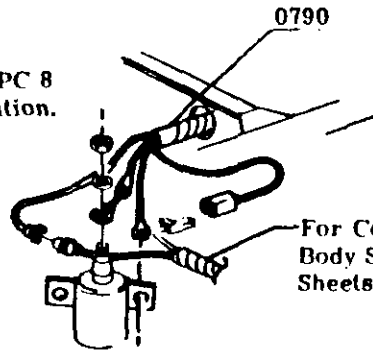
TYPICAL (2) Ples.



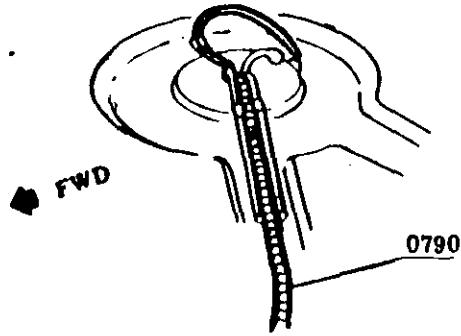
BYMARC (Installation) - LBS	RAMB (Inspection) - LBS	DATE	SYM	REVISION	AUTH	DR	CR	DEPARTMENTS	'78 TRUCK	BOOK 70
△				ORIGINAL RELEASE					TITLE	
△									SIDE BODY HARNESS - RH	
△									Z E06083	
△									NAME FUSES, BULBS & CHASSIS WIRING	
△									SYSTEM	
									12H	11

GMT 922 1-73

Refer to UPC 8
for installation
of Valve



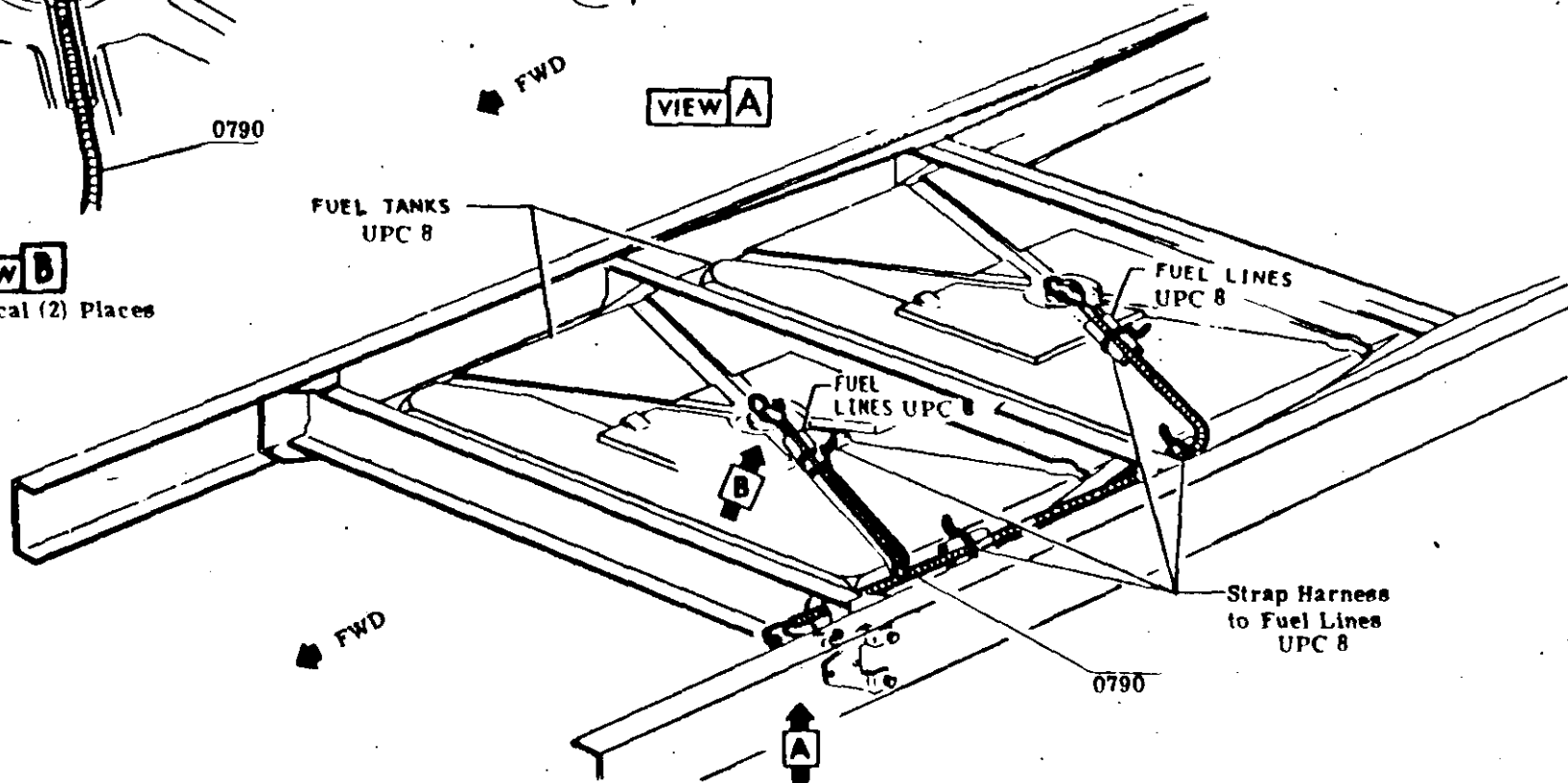
For Continuation see
Body Side Harness
Sheets 1 & 2



VIEW B
Typical (2) Places

FUEL TANKS
UPC 8

VIEW A



FUEL LINES
UPC 8

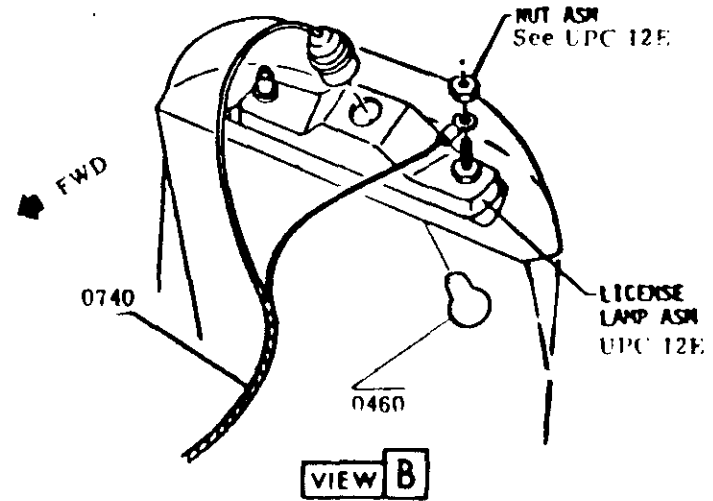
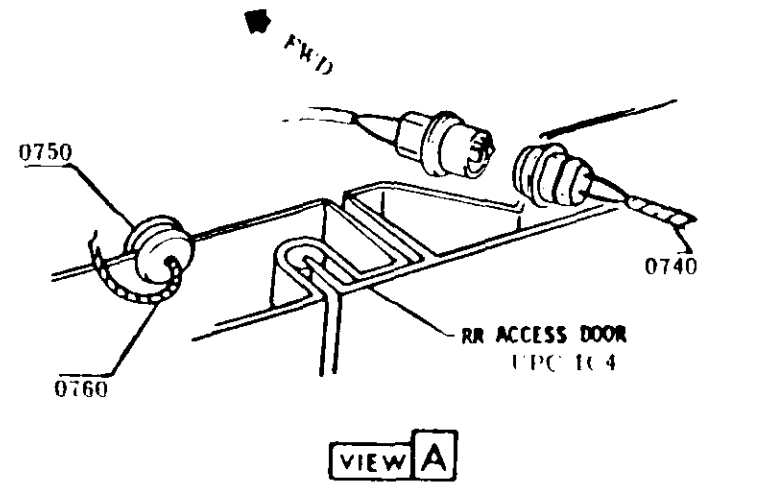
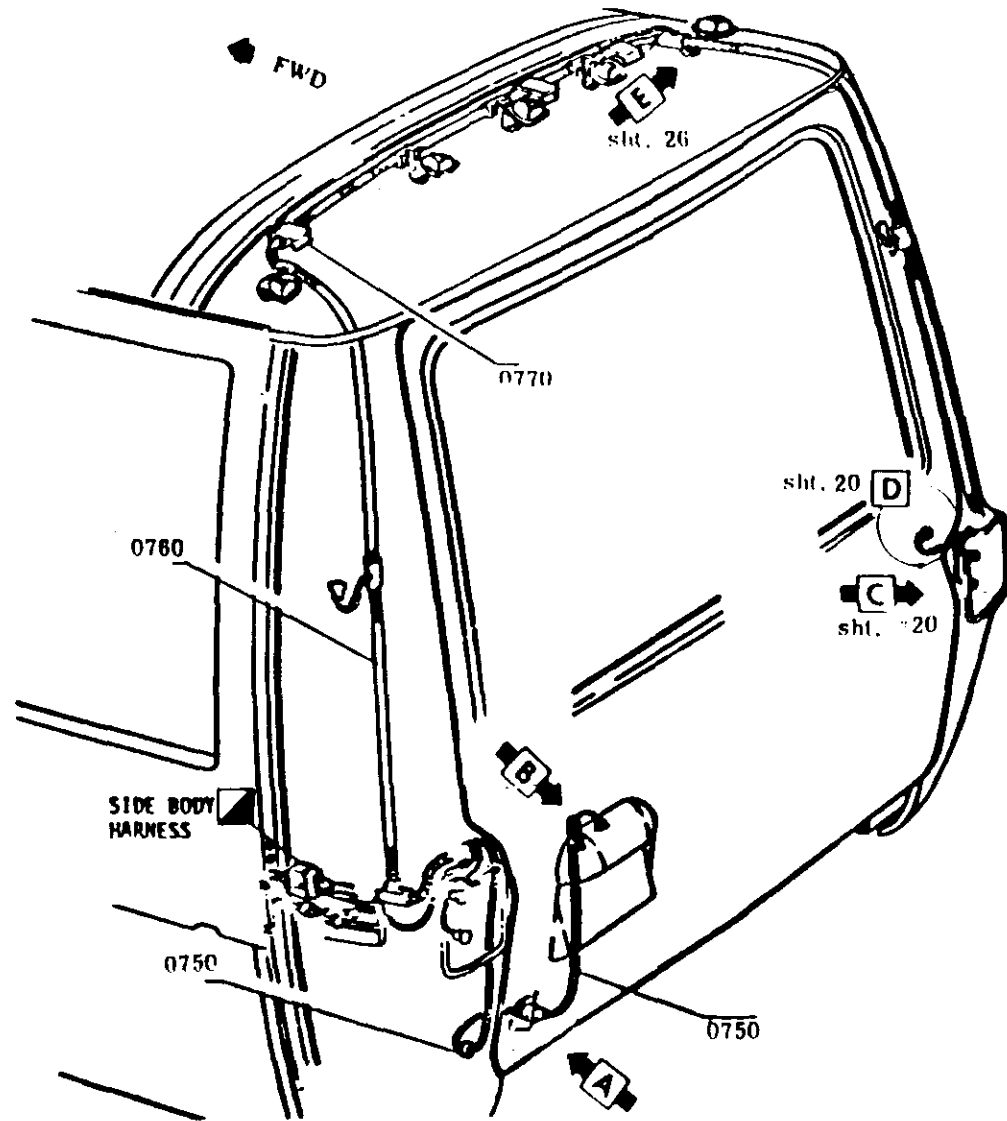
FUEL LINES
UPC 8

Strap Harness
to Fuel Lines
UPC 8

0790

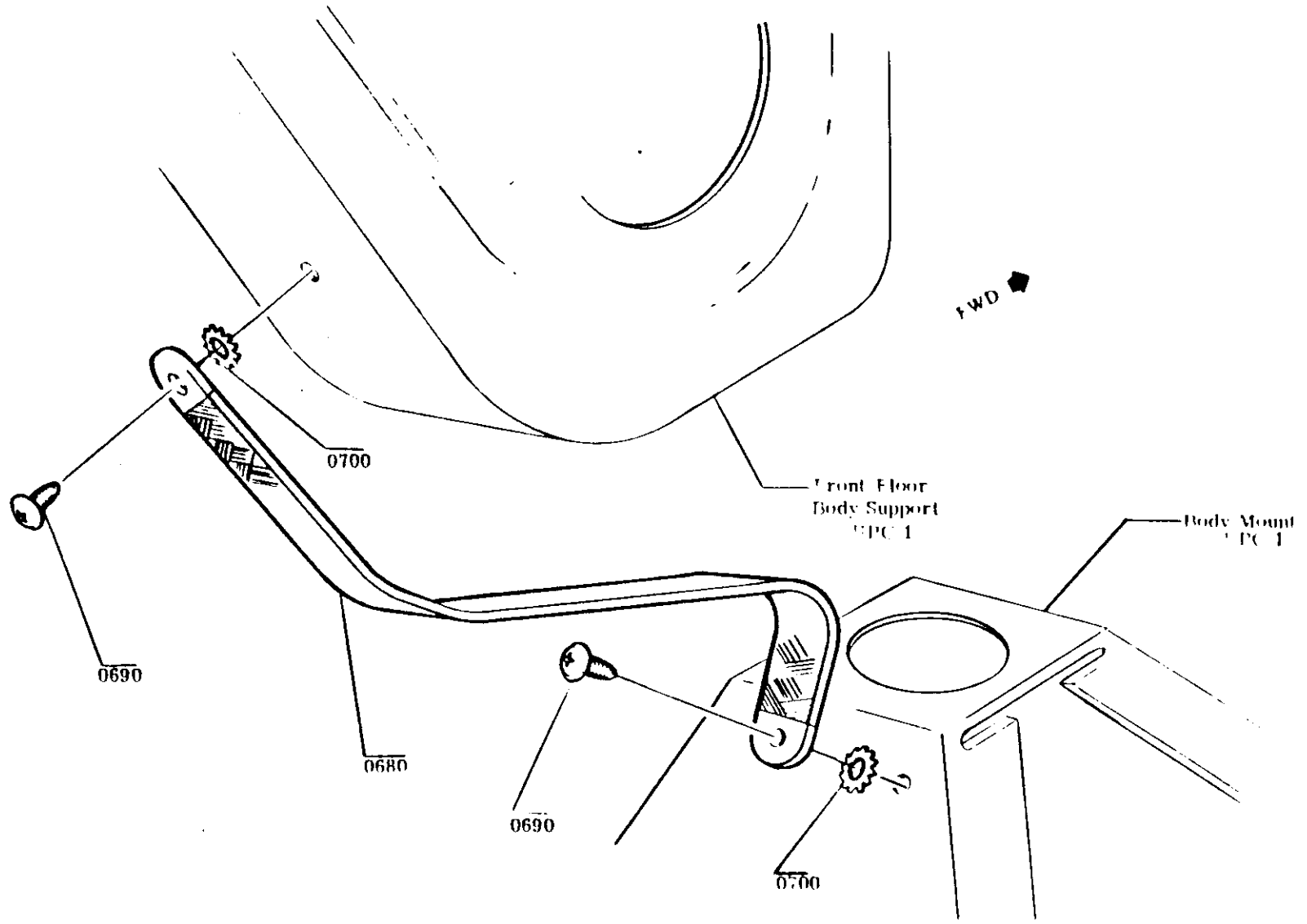
SYMBOL (Incorporation) - LPI	DATE	SYM	REVISION	AUTH	DR	CR	DEPARTMENTS	TITLE	BOOK
△			ORIGINAL RELEASE				W. Thompson	'78 TRUCK	BOOK 70
△								FUEL TANK WIRING	
△								NAME FUSES, BULBS, & CHASSIS WIRING	
△								DIVISION 12H	SHEET 18

GMT 922 1-73



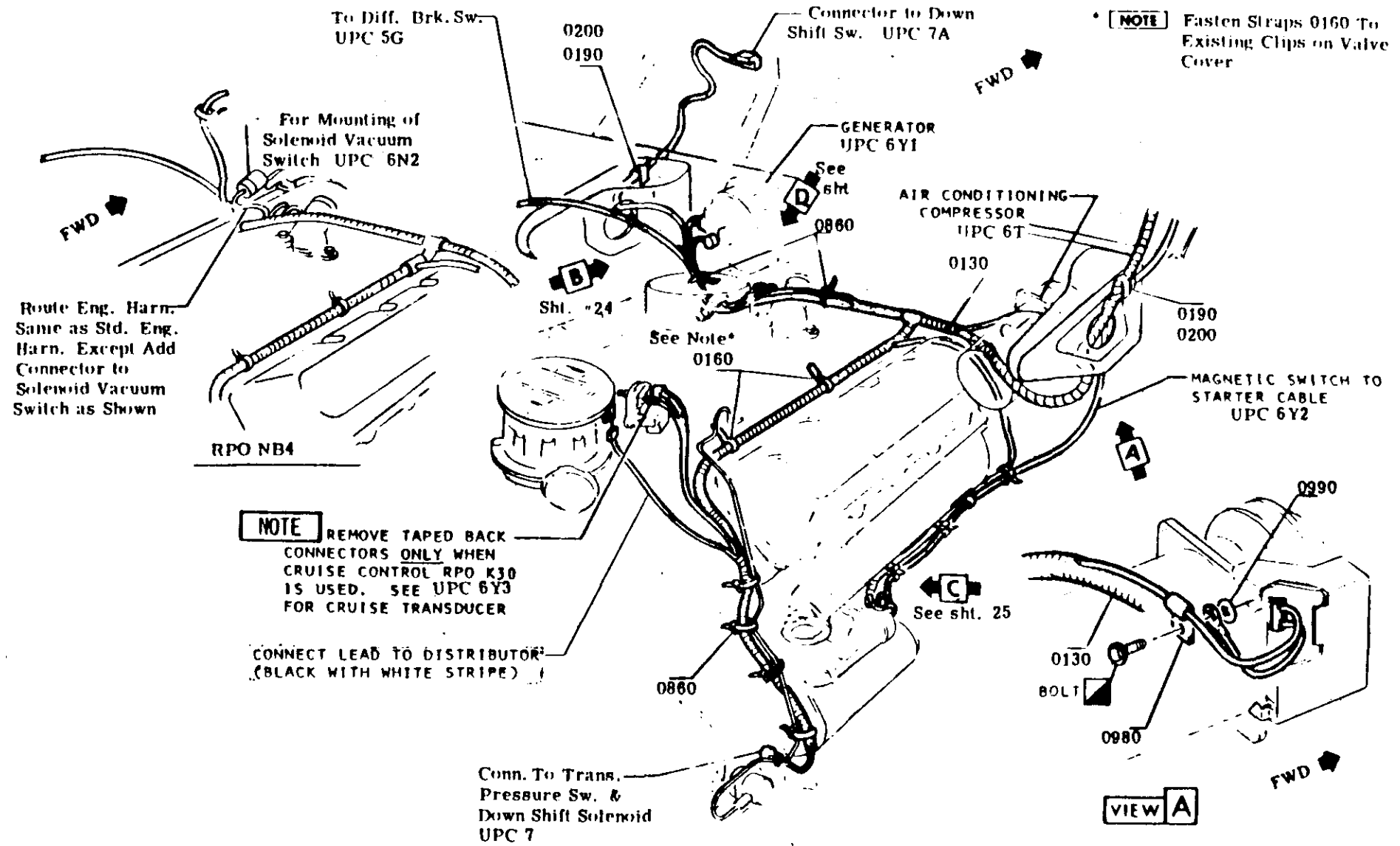
DYNAMIC (Installation) - LBS	HAND (Inspection) - LBS	DATE	SYM	REVISION	AUTH	DR	EQ	DEPARTMENTS	78 TRUCK	BOOK 70
▲				ORIGINAL RELEASE					TITLE	
▲									REAR WIRING HARNESS	
▲									DATE	
▲									FUSES, TUBES, & CHASSIS WIRING	
▲									DIVISION	12H
▲									SHEET	19

GMT 922 1/75



BY whom (Installation) - LBS	HOW (Inspection) - LBS	DATE	SYM	REVISION	AUTH	DR	CR	DEPARTMENTS	78 TRUCK	BOOK 70
	△			ORIGINAL RELEASE					TITLE	
	△								GROUND STRAP TO BODY	
	△								BASE FUSES	
	△								CHASSIS	
	△								WIRING	
	△								DIVISION/PC	
									12H	22

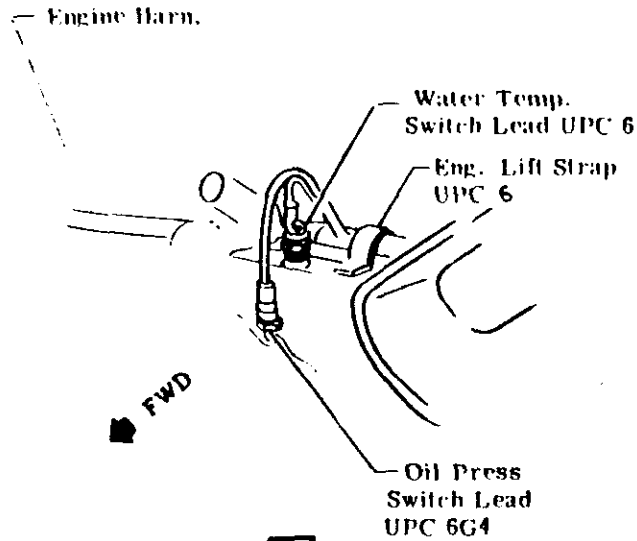
GMT 922 1-73



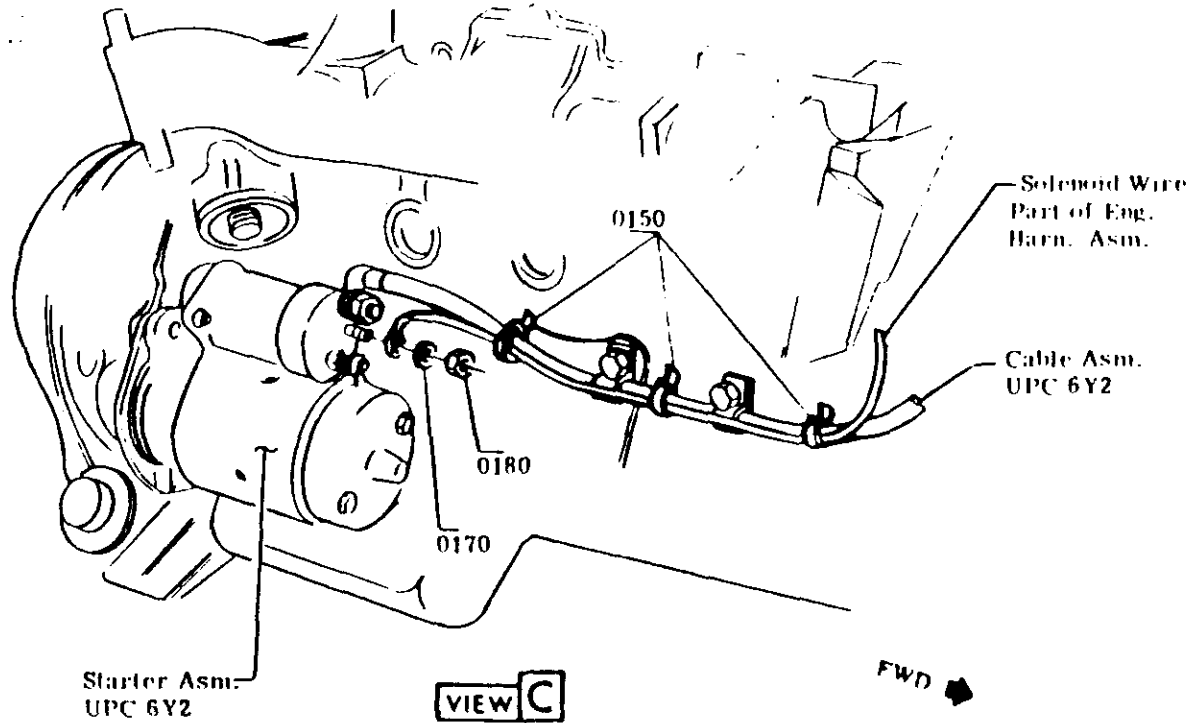
DYNAMIC (Installation) - 185	PM (Inspection) - 185	DATE	SYN	REVISION	AUTH	DR	CK	DEPARTMENTS	78 TRUCK	BOOK 70
△		5/21/73		ORIGINAL RELEASE	J7800	5/21/73		Chapman	TITLE	
△									ENGINE WIRING	
△									NAME	
△									FUSES & BULBS	
△									CHASSIS WIRING	
									DIVISION	12H
									SHEET	23

ITEM REFERENCE PROCESS MATERIAL TORQUE PART OF OR EXISTING

GMT 922 1/75



VIEW D
From Shl 23

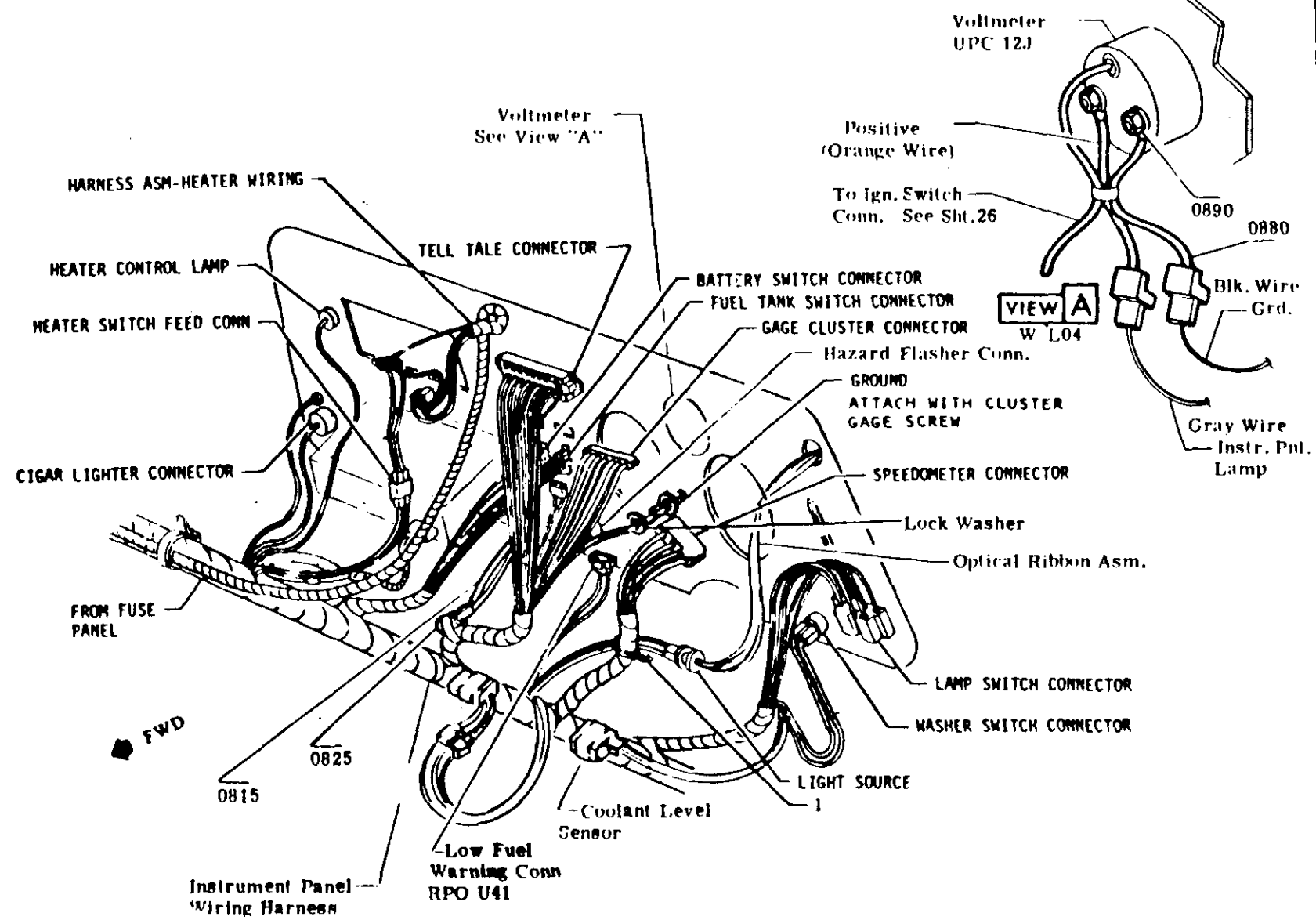


VIEW C
From Shl 23

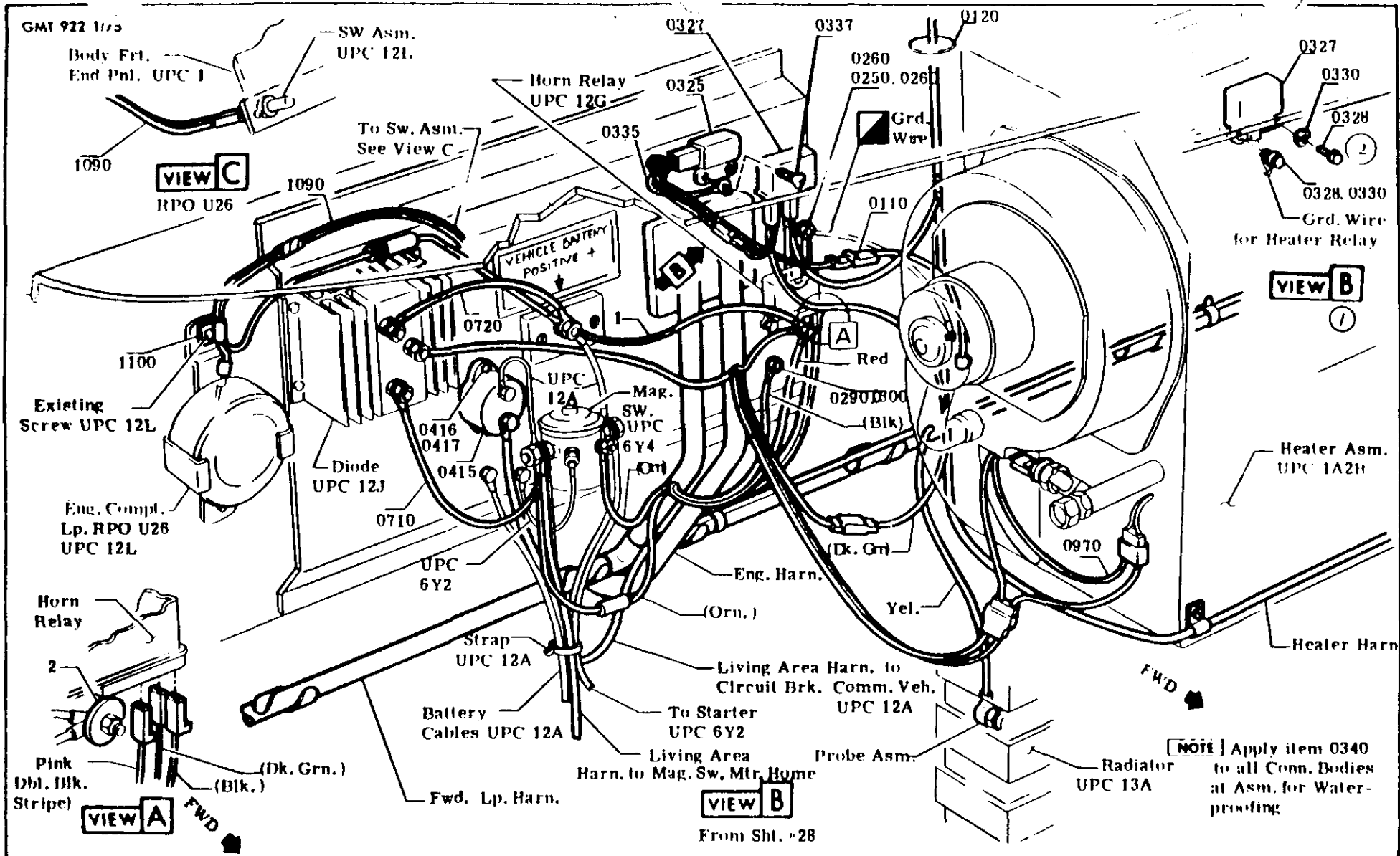
BY (Installation) - LBS	DATE (Installation) - LBS	DATE	STW	DIVISION	AUTH	DR	CR	DEPARTMENTS	TRUCK	BOOK	
		2/11/77		ORIGINAL RELEASE	4/2/006	5/2/77		A - Components	78	70	
									TITLE		
									ENGINE HARNESS WIRING		
									NAME FUSES BULBS & CHAS. WRG.	DIVISION/UPC	SHEET
										12H	25



GMT 9... 1-73



BY (Installation) - LBS	MADE (Inspection) - LBS	DATE	SYM	REVISION	AUTH	DR	CK	DEPARTMENT	78 TRUCK	BOOK 70	
		2/7/73		ORIGINAL RELEASE	WILLIAMS				TITLE INSTRUMENT CLUSTER WIRING		
									NAME FUSES & BULBS CHASSIS WIRING	DIVISION 12H	SHEET 27

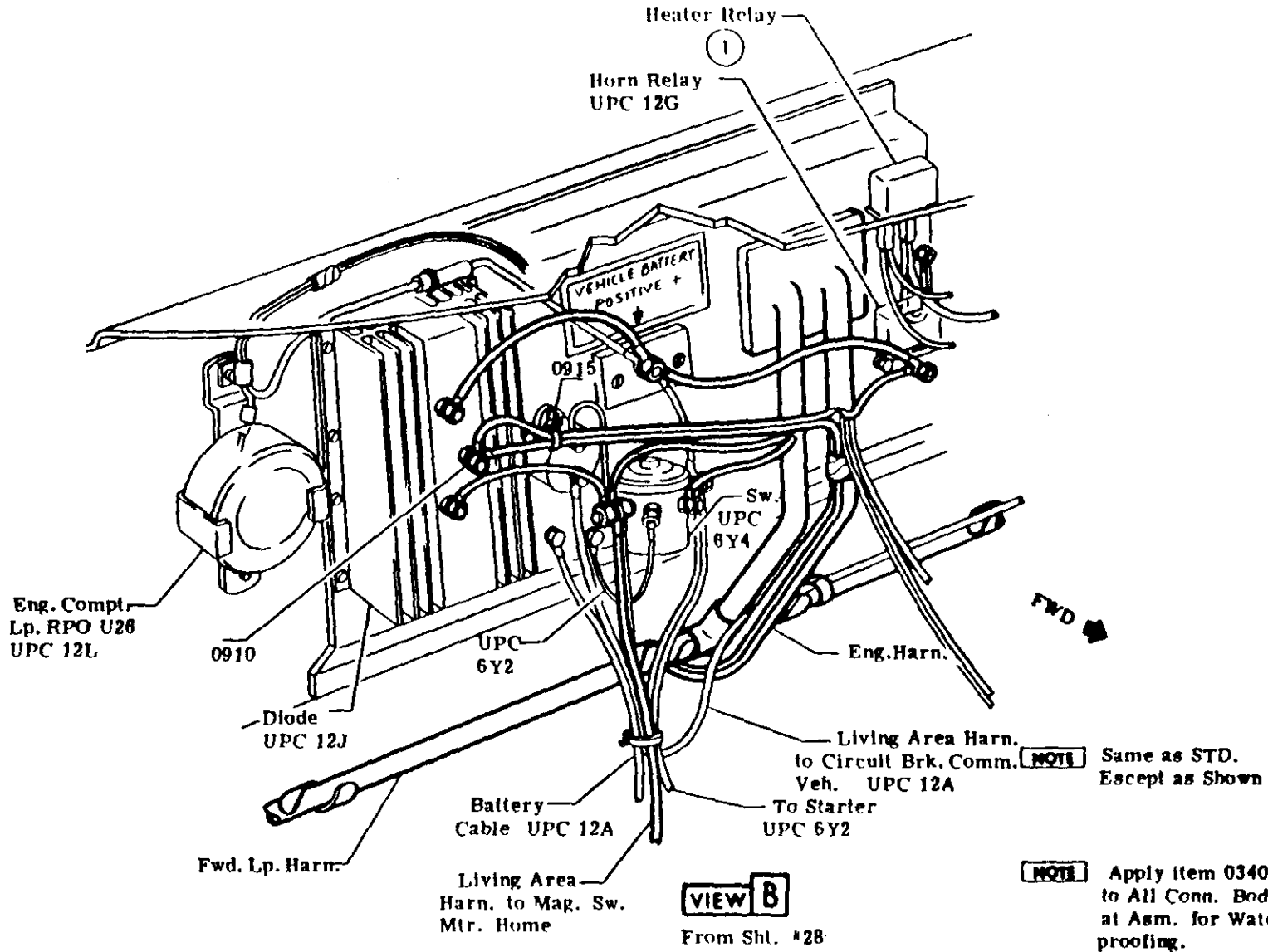


BY WHOM (Installation)	BY WHOM (Inspection)	DATE	SYM	REVISION	AUTH	DR	JR	DEPARTMENTS
		6-23-77		ORIGINAL RELEASE				
		6-25-77		VIEW B ADDED				
		7-17		ITEM 0328 WAS 0370				

'78 TRUCK		BOOK 70	
DASH PANEL ELEC. COMPONENT WIRING			
NAME	FUSES.	DIVISION/UPC	SRIT
	BULBS & CHASSIS WRG	12H	29

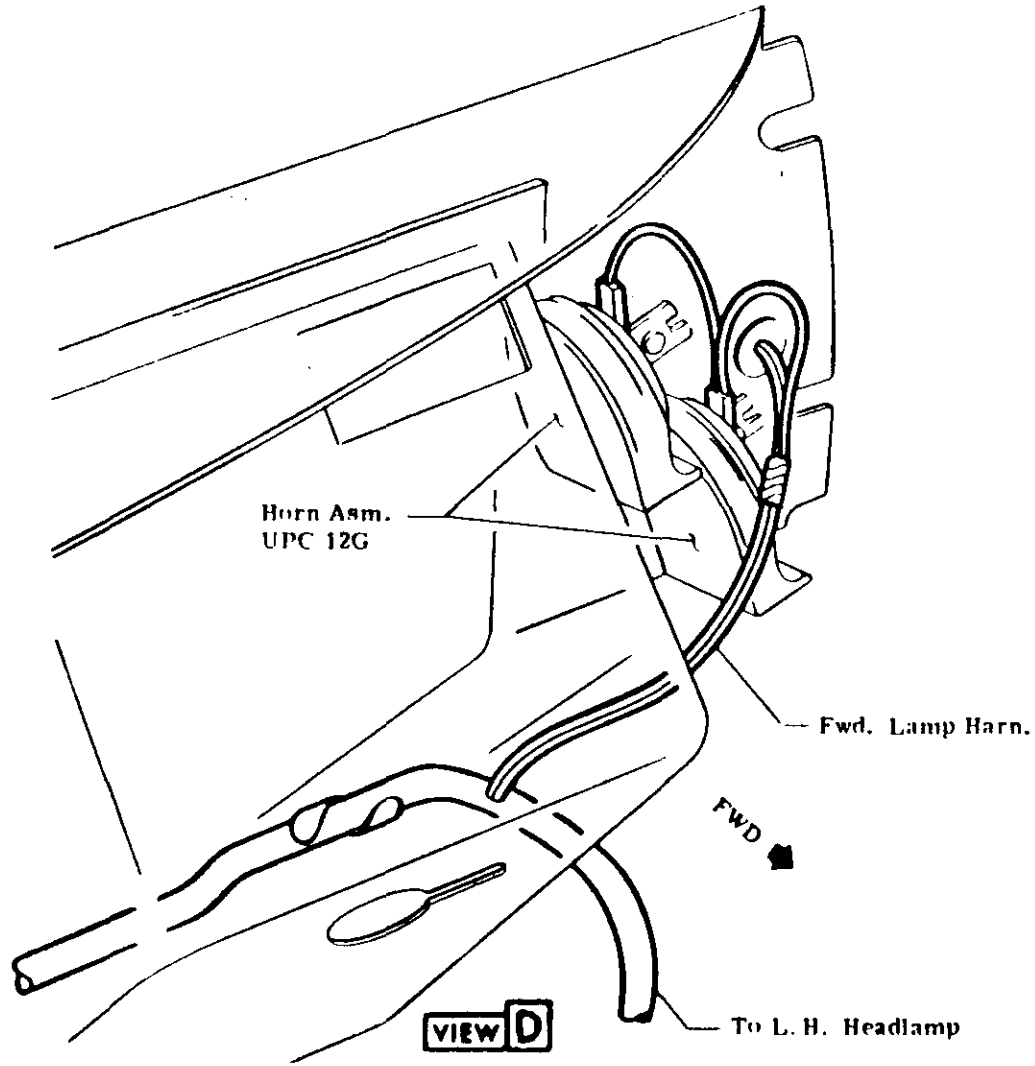
□ ITEM REFERENCE ◇ PROCESS MATERIAL △ TORQUE ▣ PART OF OR EXISTING

GMT 922 1/75



PREPARE (Installation) - IFS	REVISION (Inspection) - IFS	DATE	SYM	REVISION	AUTH	DR	CR	DEPARTMENTS	TITLE
△		2/77		ORIGINAL RELEASE	17002	AS		R. Thompson	78 TRUCK BOOK 70
△		4.2.77	1	REFER. EC 20450	57317				DASH PANEL ELEC. COMPONENT WIRING W L04
△									NAME FUSES, DIVISION/UPC SHEET
△									BULBS & CHASSIS WRC 12H 30

GMT 922 - 75

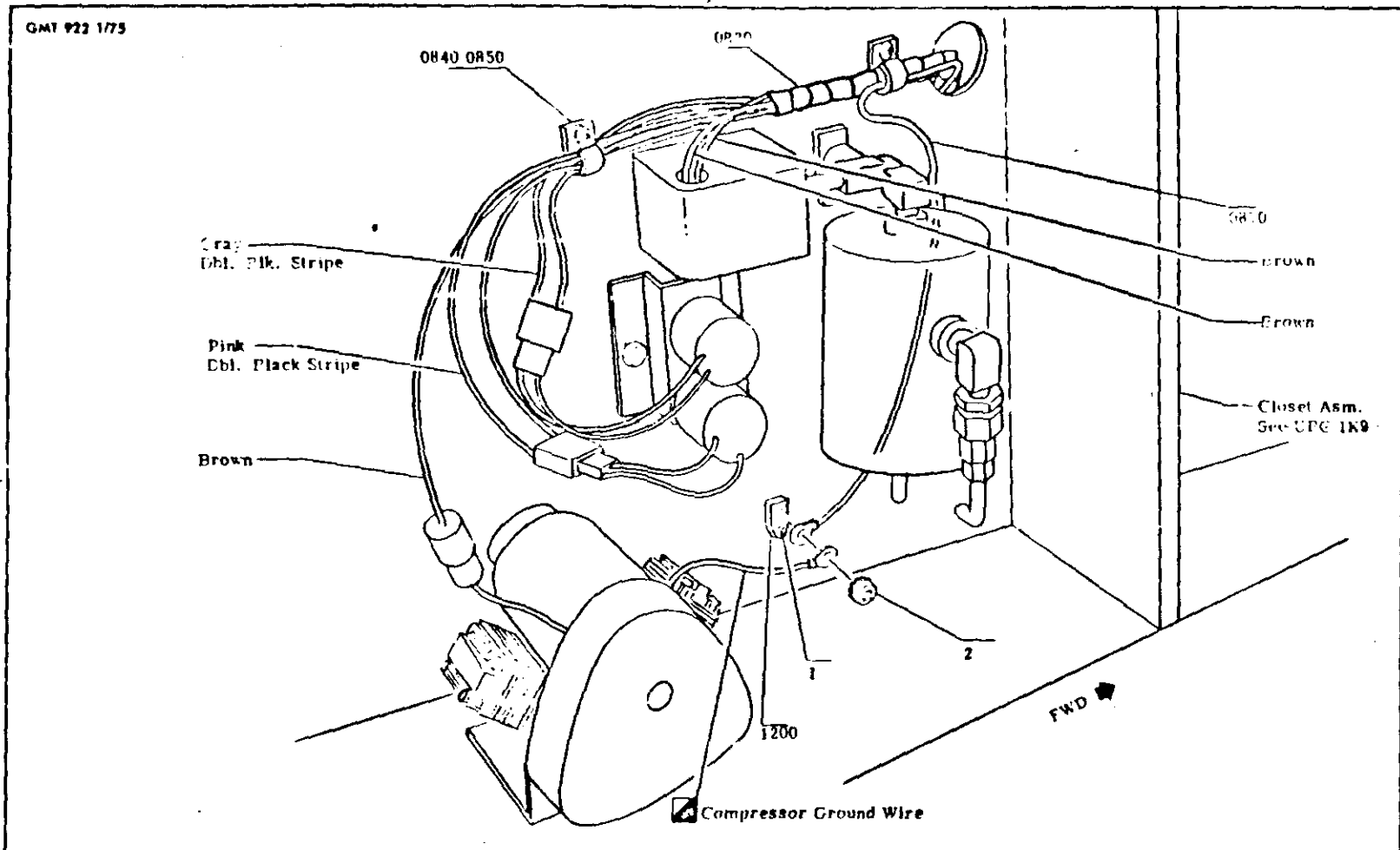


From Sht. #28

BY (Installation) - LBS	BY (Inspection) - LBS	DATE	SYM	REVISION	AUTH	DR	TR	DEPARTMENTS	TITLE
				ORIGINAL RELEASE	1/20/20				78 TRUCK
									BOOK 70
									HORN WIRING
									NAME FUSES DIVISION/UPC SHEET
									BULBS & 12H 32
									CHASSIS WFG.

- ▲
- ▲
- ▲
- ▲
- ▲

□ ITEM REFERENCE ◇ PROCESS MATERIAL ▲ FORMER ■ PART OF OR EXISTING



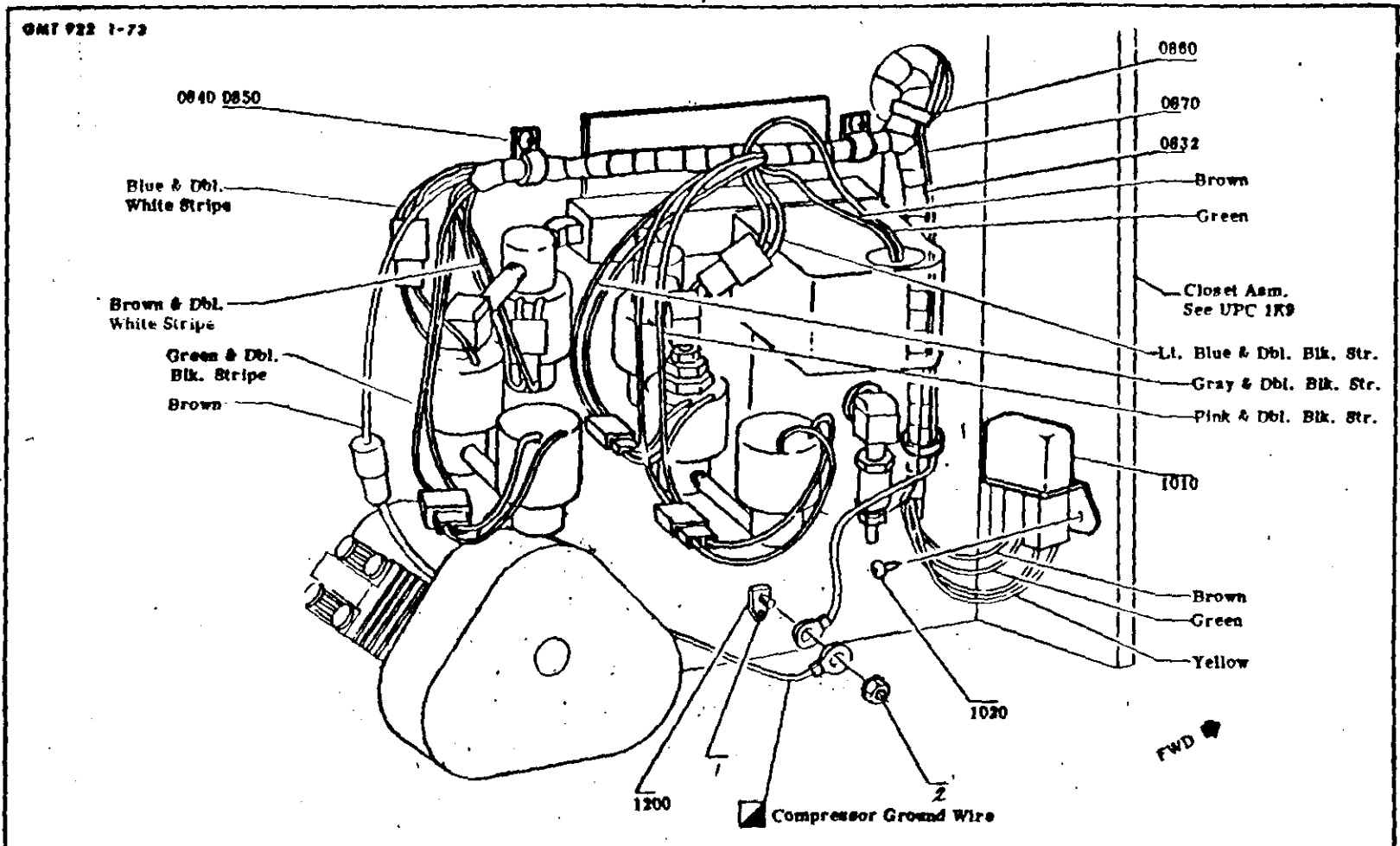
ITEM	PART
0830	120024013
0840	701513
0850	7416249
0870	2002637
1200	3905262
1	9414715
2	3759924

DATE	SYN	REVISION	AUTH	BY	CR	DEPARTMENTS
		ORIGINAL RELEASE	1/7/60	J.P.S.		GREEN

78 TRUCK		BOOK 70	
TITLE HARNES TO MODULE ASSEMBLY 7416581 W O GXW			
NAME J.P.S.	DIVISION/CORP 12H	SHEET 33-	

REFERENCE	MD12914
PRELIMINARY	

□ ITEM REFERENCE ◇ PROCESS OPTION △ FUSIBLE ▣ PART OF AN ASSEMBLY



ITEM	PART
0832	12002605
0840	2381322
0850	1116145
0860	8877976
0870	12002606
1010	1115858
1020	9416843
1200	3905263
1	9414715
2	3759924

* SEE 8/11

RD 1204
PRELIMINARY

DATE	REV	REVISION	BY	DO	CR	REPARTMENTS
11-17		ORIGINAL RELEASE				GRiffin

'78 TRUCK		BOOK 70	
HARNES TO MODULE ASSEMBLY ZE08501. W/GXW			
12H	35		



PRODUCT DESCRIPTION MANUAL

ASSEMBLY INFORMATION

OMY 1001 REV. 9/76

ENGINE, TRANSM & CHAS

ITEM #	PART OR TOOL DESCRIPTION	ADD'L DATA	QTY	PART NUMBER	ENGINE CODES	SERIES	BODY	ITEM RESTRICTION	DEPARTMENTS		CHANGE		LOGIC CODE	FUNCTION CODE	ADDITIONAL CODES	PNA	LINE NOS
									PT	Z/STA	CD	AUTH					
AA01014	ENG & CHAS WRG			* L8752			01		0782								1.8
AA01034	ENG & CHAS WRG			* L8680			03		0782								1.9
AA02014	INST PNL WRG			* L6922					0782								1.11
AA03014	FWD LP WRG			* L6925					0782								1.13
AA04014	FRT PF WRG HARN			* MD10421					0782								1.15
AA04024	& DRILL INSTL								0782								1.16
AA05014	LH SI BODY WRG			* MD12914			01		0782								1.18
AA05024	HARN & DRILL								0782								1.19
AA07014	LH SI BODY WRG			* MD12915			65	FE	0782								1.22
AA07024	HARN & DRILL								0782								1.23
AA08014	LH SI BODY WRG			* MD12916			60	BE	0782								1.25
AA08024	HARN & DRILL								0782								1.26
AA09014	TERM INSTL &			* MDR3P76					0782								1.28
AA09024	GRD INSTR								0782								1.29
AA10014	ENG & TRANS HTG			* L3594					0782								1.31
AA11014	RR SI BODY WRG			* MD14650					0782								1.33
AA11024	HARN								0782								1.34
AA12014	HYR WRG HARN			* L6923					0782								1.36
AA12024	INSTL								0782								1.37
AA13014	RR BODY WRG			* L4218				UPA	0782								1.39
AA13024	HARN								0782								1.40
AA14014	RR 57LP SI HWR			* L4301					0782								1.42
AA14024	& LIC PLT								0782								1.43
AA15014	INSY CSTR WRG			* L6924					0782								1.45
AA16014	INSY CSTR INSTL			* L7869					0782								1.47
AA17014	LVL VLV CONT PNL			* L8356					0782								1.49
AA18014	FLR INSTL			* L8017					0782								1.51
AA19014	403 ENG ACSRV			* L8679					0782								1.53
AA19024	INSTL								0782								1.54

1 2 3 4 5	2E06X00	MODEL YEAR 1978
	MODEL APPLICATION FUSES, BULBS & CHASSIS WIRING	ORIGIN DATE 77C801
P.M.V.B.B.	REFERENCE	LAST ENG. DATE
	UPC DESCRIPTION	LAST CHG. CODE
		70 12M A 1
		DR. V. P. G. BRP PAGE

ITL	PART OR TOOL DESCRIPTION	ADD'L DATA	QTY	PART NUMBER	ENGINE CODES	SERIES	REV	ITEM RESTRICTION	DEPARTMENT		CHANGE		LOGIC CODE	FUNCTION CODE	ADDITG CODES	LINE NOS
									ST	2/STA	CD	AUTH				
AA20014	ENG COMP DR INSTR		*	MD10709				U26	0782							1.54
AA21014	ENG & CHAS WRG		*	LF752					0754							1.55
AA21024	ENG & CHAS WRG		*	LR680					0754							1.56
AA22014	INST PNL WRG		*	L6922					0754							2.2
AA23014	FWD LP WRG		*	L6925				U26	0754							2.4
AA24014	FRT RF WRG HARN		*	MD10421					0754							2.6
AA24024	& DRL								0754							2.7
AA25014	LH SI BODY WRG		*	MD12914					0754							2.9
AA25024	HARN & DRILL								0754							2.10
AA26014	LH SI BODY WRG		*	MD12915		65	83		0754							2.11
AA26024	HARN & DRILL								0754							2.12
AA27014	LH SI BODY WRG		*	MD12916		60	83		0754							2.13
AA27024	HARN & DRILL								0754							2.14
AA28014	TERM INSTL &		*	MDP3P76					0754							2.15
AA28024	GRD INSTR								0754							2.16
AA29014	ENG & TRANS MYG		*	L3594					0754							2.21
AA30014	RR SI BODY WRG		*	MD14650					0754							2.22
AA30024	HARN								0754							2.23
AA31014	HYR WRG HARN		*	L6923					0754							2.24
AA31024	INSTR								0754							2.25
AA32014	RR BODY WRG		*	L4218					0754							2.26
AA32024	HARN								0754							2.27
AA33014	RR S/LP SI HRR		*	L4301					0754							2.28
AA33024	& LTC PLY								0754							2.29
AA34014	INST CSTR WRG		*	L6924					0754							2.30
AA34024	INST CSTR INSTR		*	L7869					0754							2.31
AA36014	LVL VLV CONT PNL		*	LR356					0754							2.32
AA37014	FLR INSTR		*	LB017					0754							2.33
AA38014	403 ENG ACSRY		*	LR679					0754							2.34
AA38024	INSTR								0754							2.35

1 2 3 4 5	REFERENCE	ZF06X00	MODEL YEAR 1978
			ORIGIN DATE 770801
		MODEL APPLICATION	LAST CHG. DATE
		FUSES, FULBS & CHASSIS WIRING	LAST CHG. CODE
		UPC DESCRIPTION	70 12H A 2
			BK V. P. C. GMP PAGE

PRODUCT DESCRIPTION MANUAL

ASSEMBLY INFORMATION

GMT 1001 REV. 8/78

GM TRUCK & COACH

ITEM	PART OR TOOL DESCRIPTION	ADD'L DATA	QTY	PART NUMBER	ENGINE CODES	REVISED	REVISED	ITEM RESTRICTION	DEPARTMENTS		CHANGE		LOGIC CODE	FUNCTION CODE	ADDITIONAL CODES	FNA	LINE NOS
									61	2/STA	CD	AUTH					
AA39C14	ENG COMP DR INSTR			MD10709				U26	0754								2.46
AA40G14	ENG & CHAS WRG			L8752					0752								2.48
AA40Z14	ENG & CHAS WRG			L8680					0752								2.49
AA41014	INST PNL WRG			L6922					0752								2.51
AA41014	FWD LP WRG			L6925				U26	0752								2.53
AA42014	FRT RF WRG HARN			MD10421					0752								2.55
AA42024	G DRILL INSTL								0752								2.56
AA43C14	LH ST BODY WRG			MD12914					0752								2.58
AA43024	HARN & DRILL								0752								2.59
AA44014	LH ST BODY WRG			MD12915		65	P3		0752								3.2
AA44024	HARN & DRILL								0752								3.3
AA45014	LH ST BODY WRG			MD12916		60	P3		0752								3.5
AA45024	HARN & DRILL								0752								3.6
AA46014	YERN INSTL &			MDR3876					0752								3.8
AA46024	GRD INSTR								0752								3.9
AA47014	ENG & TRANS HYG			L3594					0752								3.11
AA48C14	RF ST BODY WRG			MD14250					0752								3.13
AA48024	HARN								0752								3.14
AA49C14	MTR WRE HARN			L6923					0752								3.16
AA49024	INSTL								0752								3.17
AA50014	RR BODY WRG			L4218				UPA	0752								3.19
AA50024	HARN								0752								3.20
AA51014	RR S/LP ST MKR			L4301					0752								3.22
AA51024	& LIC PLY								0752								3.23
AA52C14	INST CSTR WFG			L6924					0752								3.25
AA53014	INST CSTR INSTL			L7869					0752								3.27
AA54C14	LVL VLV CHMY PNL			L8356					0752								3.29
AA55C14	FLR INSTL			L8011					0752								3.31

ZF06X00

MODEL APPLICATION
FUSES, BULBS & CHASSIS WIRING
VPC DESCRIPTION

MODEL YEAR 1978
ORIGIN DATE 770801
LAST CHG. DATE
LAST CHG. CODE
70 12M A 3
DR U. P. S. DRP PAGE

ITEM	PART OR TOOL DESCRIPTION	ADD'L DATA	QTY	PART NUMBER	ENGINE CODES	SERIES	REV	ITEM RESTRICTION	DEPARTMENT		CHANGE		LOGIC CODE	FUNCTION CODE	ADDITIONAL CODES	A	LINE NO.
									ST	2/STA	CD	AUTH					
AA50014	403 ENG ACSRY		*	L8679					0752								3.33
AA50024	INSTR								0752								3.34
AA51014	ENG COMP DR INSTR		*	MD10709				U26	0752								3.36
AA58014	ENG & CHAS WRG		*	L8752					0704								3.38
AA58024	ENG & CHAS WRG		*	L8680					0704								3.39
AA59014	INST PML WRG		*	L6922					0704								3.41
AA60014	FWD LP WRG		*	L6929				U26	0704								3.42
AA61014	FRT RF WRG HARN		*	MD10421					0704								3.44
AA61024	& DRILL INSTR								0704								3.46
AA62014	LH SI BODY WRG		*	MD12914					0704								3.48
AA62024	HARN & DRILL								0704								3.49
AA63014	LH SI BODY WRG		*	MD12915		65	83		0704								3.51
AA63024	HARN & DRILL								0704								3.52
AA64014	LH SI BODY WRG		*	MD12916		60	83		0704								3.54
AA64024	HARN & DRILL								0704								3.55
AA65014	TERM INSTR &		*	MDP3876					0704								3.57
AA65024	GRD INSTR								0704								3.58
AA66014	ENG & TRANS MTC		*	L3594					0704								4.1
AA67014	RH SI BODY WRG		*	MD14650					0704								4.2
AA67024	HARN								0704								4.4
AA68014	HYR WRG HARN		*	L6923					0704								4.6
AA68024	INSTR								0704								4.7
AA69014	RR BODY WRG		*	L4216				UPA	0704								4.9
AA69024	HARN								0704								4.10
AA70014	RR S/LP SI WRG		*	L4301					0704								4.12
AA70024	& LIC PLT								0704								4.13
AA71014	INST CSTR WRG		*	L6924					0704								4.15
AA72014	INST CSTR INSTR		*	L7869					0704								4.17
AA73014	LVL VLV CONT PHL		*	L8356					0704								4.19

1 2 3 4 5	REFERENCE	ZE06X00	MODEL YEAR IS 70
			ORIGIN DATE 770801
			LAST CHG. DATE
			LAST CHG. CODE
P.M.V.S.S.		MODEL APPLICATION FUSES, BULBS & CHASSIS WIRING	70 12H A 4
		UPC DESCRIPTION	BK U. P. C. SHP PAGE

PRODUCT DESCRIPTION

ASSEMBLY INFORMATION

ITEM NO.	PART DESCRIPTION	QTY	PART NUMBER	ENGINE CODES	REF	NOY	ITEM RESTRICTION	DEPARTMENTS		CHANGE		POSITION	ADDITL CODES	NA
								#1	205TA	CD	AUTH			
AA74014	FLR INST		L867					0704						
AA75014	403 ENG ALKY		L867					0704						4.4
AA75024	INSTL							0704						4.4
AA76024	ENG & CHAS WRG		L923			L04		0782						4.4
AA77014	ENG & CHAS WRG		L9196			L04		0782						4.44
AA78014	ENG & CHAS WRG		L9233			L04		0754						4.30
AA79014	ENG & CHAS WRG		L9196			L04		0754						4.44
AA80014	ENG & CHAS WRG		L9233			L04		0752						4.34
AA81024	ENG & CHAS WRG		L9196			L04		0752						4.30
AA82014	ENG COMP DR INSTR		MD10709			026		0704						4.30
AA83014	ENG & CHAS WRG		L9233			L04		0704						4.40
AA84014	ENG & CHAS WRG		L9196			L04		0704						4.44
UB10AA	HARN ASM I/P	1	2006510					0782	39	03744	0000390100			4.40
UB20AA	CLIP DA PNL	3	2490826					0782	39		0000390105			4.44
UB30AA	SCREW CLIP	3	9420065					0782	39					4.54
UB40AA	WASHER	3	9419892					0782	39					4.53
UB50AA	WA LR	3	121753					0782	39					4.55
UB60AA	SCREW I/P GRD	1	9415191					0782	39					4.57
UB70AA	WA LR GRD	1	121752					0782	39					4.54
UB80AA	CLIP I/P HARN RH	2	2281754					0782	39		0000390110			5.2
UB90AA	SCREW CLIP	2	9422037					0782	39					5.4
UB95AA	RESISTOR HTR BLD	1	3942651					0782	37	57317	0000370095			5.6
UB97AA	SCR RES	2	9419303					0782	37	57317				5.8
UB98AA	CLIP HTR WR	2	2281756					0782	39		0000390115			5.10

ZE06X00

MODEL YEAR 1978
 ORIGIN DATE 770801
 LAST CHG. DATE 770816
 LAST CHG. CODE 3744

MODEL APPLICATION
 FUSES, BULBS & CHASSIS WIRING
 UPC DESCRIPTION

70 12M A 5
 BK. U. P. C. GMP PAGE

F.M.V.88

REFERENCE

PRODUCT DESCRIPTION MANUAL
ASSEMBLY INFORMATION

ITEM	E	Q	PART OR TOOL DESCRIPTION	ADD'L DATA	QTY	PART NUMBER	ENGINE CODES	SERIES	BODY	ITEM RESTRICTION	DEPARTMENTS		CHANGE CD	LOGIC AUTH	LOGIC CODE	FUNCTION CODE	ADDITL CODES	LINE NOS
											#1	2/STA						
0110AA			WIRE RLV TO ELD		1	8913700				-11H77058	0782	42		CORR	0449420300			5.12
0120AA			WIRE HTR HARN		1	9796367					0782	42			0000420305			5.14
0130AA			WREN ASM ETC		1	12000249					0752	62			0000620315			5.16
0140AA			STRAP TO FAT CPU		3	8877974					0752	62			0000620320			5.18
0150AA			STRAP HARN FARD		3	8877974					0752	62			0000620325			5.20
0170AA			STRAP HARN/WH		2	409717					0752	62			0000620330			5.22
0170AA			WELK P SOL		1	130530					0752	62						5.24
0180AA			NUT SW WR/SOL		1	120022					0752	62						5.26
0190AA			CLIP WRC HARN		2	2488357					0752	62			0000620335			5.28
0200AA			PIVET HARN CLIP		2	2393958					0752	62						5.30
0210AA			WREN FWD ET WRC		1	12000950					0782	38			0000380135			5.32
0220AA			CLIP HARN		2	2301257					0782	38			0000380140			5.34
0240AA			CLIP FWD ET HARN		8	2488357					0782	38			0000380145			5.37
0240AA			RIVET FARN CLIP		8	700388					0782	38						5.39
0250AA			SCREW GRD WR		1	9422404					0782	38						5.41
0270AA			WASHER SCREW		1	120423					0782	38						5.43
0270AA			SC WRC HARN CLIP		2	9427927					0782	38						5.45
0280AA			NUT CLIP STREW		2	9421577					0782	38						5.47
0290AA			SC GRD TO HT/PLT		1	9422404					0782	38						5.49
0300AA			WASHER GRD SC		1	120423					0782	38						5.51
0310AA			HARN HTR WRC		1	12000937					0782	42			0000420310			5.53
0320AA			STRAP HARN CONT		3	8877974					0782	42			0000420315			5.55
0330AA			RELAY PTR (DELAY		1	381904					0782	40			0000400080			5.57
0340AA			RELAY PTR		1	1115730					0782	37			0000370090			5.59

MODEL APPLICATION FUSES, BULBS & CHASSIS WIRING	MODEL YEAR IS 78 ORIGIN DATE 770801 LAST CHG. DATE 770823 PART CHG. CODE CORR.
	MODEL DESCRIPTION FUSE BOX

ITEM	PART OR TOOL DESCRIPTION	ADD'L DATA	QTY	PART NUMBER	ENGINE CODES	SERIES	REV	ITEM RESTRICTION	DEPARTMENTS		CHANGE		LOGIC CODE	FUNCTION CODE	ADDITION CODES	LINE NOS.
									#1	2/81A	CD	AUTH				
0320AA	SCR HTR-PLT		3	9422404					0782	37						6.3
0330AA	WA		3	120423					0782	37						6.5
0335AA	WIRING ASM RLY		1	12006502					0782	40		0000	400005			6.7
0337AA	SCR RELAY MT		2	9414712					0782	40						6.9
0340AA	GREASE TERMINAL	AS REQD	4	9985208					0782	42						6.11
0350AA	GROM FUEL WIRE		1	2008027					0704	12						6.13
0360AA	GROM SI POST		1	2191906					0704	12						6.15
0370AA	GROM F/TK W		1	187540					0704	11						6.16
0380AA	BREAKER A/SUSP		1	2474055					0782	42		0000	420320			6.19
0390AA	GROM BODY HARN		1	790945			81		0782	39		0000	390420			6.21
0400AA	HARN RE FRY WRC		1	12000951			83		0782	43		0000	430110			6.23
0410AA	CLIP HARN		2	708513					0704	12		0000	120015			6.25
0412AA	CLIP SI BODY HRN		3	708513					0704	12		0000	120020			6.27
0413AA	STRAP BODY HARN		3	676543					0704	12		0000	120025			6.29
0414AA	STRAP LVL CNT		2	676543					0704	12		0000	120030			6.31
0415AA	BKR LIV AREA		1	2212295			83		0704	12		0000	120035			6.33
0416AA	SC CIRC BKR		2	160069			83		0704	12						6.35
0417AA	WA BKR MYG		2	121801			83		0704	12						6.37
0420AA	TAPE		4	R35089				APPRX 3.5 IN PER JCM	0782	43						6.39
0430AA	CONN RE FRY WR		1	2965972					0782	43		0000	430115			6.41
0440AA	BULB HRR LP		10	142450					0782	39		0000	390125			6.43
0450AA	BULB HRR LP		4	9421330					0782	38		0000	380150			6.45
0460AA	BULB LIC PLY LP		1	142450					0782	38		0000	380155			6.47

REV	REFERENCES	2E06X00	MODEL YEAR 1978
		MODEL APPLICATION FUSES, BULBS & CHASSIS WIRING	ORIGIN DATE 770801
REV. 88		APC DESCRIPTION	LAST CHG. DATE
			LAST CHG. CODE
			70 12H A 7
			BK V. P. C. QNT PAGE



PRODUCT DESCRIPTION MANUAL

ASSEMBLY INFORMATION

GMY 1061 REV. 8/78

GMC TRUCK & COACH

ITEM	QTY	PART OR TOOL DESCRIPTION	ADD'L DATA	QTY	PART NUMBER	A.O.D.	ENGINE CODES	SERIES	BOY RNM	ITEM RESTRICTION	DEPARTMENTS		CHANGE CD	LOGIC AUTH	LOGIC CODE	FUNCTION CODE	ADDITIONAL CODES	LINE THIS	
											41	2 STA							
0470AA		HARN BODY LH SI			112000952				81		0704	12			0000120040				0044
0470AC		HARN BODY LH SI			112000954			60	83		0704	12			0000120040				0044
0470AD		HARN BODY LH SI			112000953			65	83		0704	12			0000120040				0054
0480AA		STRAP TO RR HARN			1 8817974						0782	60			0000000090				0054
0490AA		CLIP RH			4 708213						0704	12			0000120045				0054
0500AA		CLIP BODY HARN			4 2381771				81		0704	12			0000120050				0054
0540AA		STRAP SI B/HARN			4 8817974				83		0704	12			0000120055				0054
0550AA		SCREW			4 9418235				81		0704	12							101
0560AA		WASHER			4 121753				81		0704	12							103
0590AA		CONN F/TNR HARN			1 2965980						0754	88			0000880072				104
0600AA		CONN F/TNR HARN			1 2977253						0704	12			0000120060				101
0605AA		CONN SI B/HARN			1 2977689						0782	39			0000390130				104
0610AA		CONN SI B/HARN			1 2977048				81		0782	39			0000390135				101
0620AA		CABLE LIVING AREA			112000190				81		0704	12			0000120065				101
0630AA		CLIP CABLE			1 8911472				81		0754	88			0000880080				101
0635AA		WIRE ASM BODY RH			1 8913657			65			0704	12			0000120070				101
0635AB		WIRE ASM BODY RH			1 8913658			60			0704	12			0000120070				101
0660AA		GRM WR/SI POST			8 2489333			65			0704	12							101
0660AB		GRM WR/SI POST			1 2489333			60			0704	12							101
0670AA		STRAP WIRE ASM			3 8877974				81		0704	12			0000120075				101
0670AB		STRAP WIRE ASM			2 8877974				83		0704	12			0000120075				101
0680AA		WIRE BUY/FRM GRM			2 8913708						0752	69	REPR		0000000090195				101
0690AA		SCREW			2 9427682						0752	69							101
0700AA		WA LR			2 120423						0752	69							101
0710AA		WIRE BUDE H SW			112002619						0782	37			0000370080				101
0720AA		WIRE ISULATOR			112000934						0782	37			52120000370085				101
0730AA		TAPE			4 835044						0782	37							101

	ZE06X00	MODEL YEAR 1976
	MODEL APPLICATION	ORIGIN DATE 1/08/61
	FUSES, BULBS & CHASSIS WIRING	LAST CHG DATE 7/04/74
	UPC DESCRIPTION	LAST CHG CODE 0075 REPR
P.M.V.B.B.	REFERENCE	70 12H A B BK U. P. C. GMP PAGE



PRODUCT DESCRIPTION MANUAL

ASSEMBLY INFORMATION

GMT 1001 REV. 8/78

GEN. TRUCK & COACH

ITEM	QTY	PART OR TOOL DESCRIPTION	ADD'L DATA	QTY	PART NUMBER	ENGINE CODES	SERIES	REV. LINK	ITEM RESTRICTION	DEPARTMENTS		CHANGE CD	AGTH	LOGIC CODE	FUNCTION CODE	ADDITIONAL CODES	LINE NOS
										#1	2 STA						
0740AA	1	WIRE ASM LIG LP		1	8913601					0782	38			0000380160			7.38
0750AA	1	WIRE ASM WIRE		1	2411483					0782	38						7.44
0760AA	1	HARN KF BUDDY WR		1	112000936					0782	40			0000400095			7.44
0770AA	5	CLIP HARN		5	708513					0782	40			0000400100			7.44
0780AA	4	BULB DM LP		4	9431808					0782	41			0000410275			7.46
0790AA	1	CABLE FUEL TANK		1	8910957					0752	77			0000770320			7.40
0800AA	1	TAPE CABLE		1	R35089					0752	77						7.50
0810AA	1	CLIP CABLE		1	2281754					0754	88			0000880085			7.52
0815AA	1	WIRE SUSP BUZZER		1	8913665					0782	44			0000440170			7.54
0820AA	1	SCREW CABLE		1	9416642					0754	88						7.58
0825AA	1	RELAY LVL CONT		1	701215					0782	44			0000440175			7.58
0830AA	1	HARNESS ASM		1	12002636				GXM	0704	12			1388120080			8.1
0832AA	1	HARN LVL CONT		1	12002605		65		GXM	0704	12			1387120082			8.1
0832AB	1	HARN LVL CONT		1	12002614		60		GXM	0704	12			1387120082			8.1
0835AA	1	HARN LVL CONT		1	12001638			81	GXM	0704	12			1388120085			8.1
0835AB	1	HARN LVL CONT		1	12002639			83	GXM	0704	12			1388120085			8.1
0837AA	1	CLIP HARN		1	2295142			83	GXM	0704	12			1387120120			8.1
0840AA	4	CLIP HARN		4	708513				GXM	0704	12			1388120125			8.1
0840AB	4	CLIP HARN		4	2381322				GXM	0704	12			1387120125			8.1
0845AA	1	SCREW		1	9427682					0704	12						8.1
0850AB	4	SCREW HARN CLP		4	9416843			81		0704	12						8.1
0850AC	2	SCREW HARN CLP		2	9427682			83		0704	12						8.1
0855AA	4	STRAP		4	8877976				GXM	0704	12			1387120088			8.1
0860AA	4	STRAP		4	8877976					0704	12			0000120090			8.1

1 2 3 4 5 6 7 8 9 10 11 12 13 14 15 16 17 18 19 20 21 22 23 24 25 26 27 28 29 30 31 32 33 34 35 36 37 38 39 40 41 42 43 44 45 46 47 48 49 50 51 52 53 54 55 56 57 58 59 60 61 62 63 64 65 66 67 68 69 70 71 72 73 74 75 76 77 78 79 80 81 82 83 84 85 86 87 88 89 90 91 92 93 94 95 96 97 98 99 100	2E06X00										MODEL YEAR 1978 ORIGIN DATE 170801 LAST CHG. DATE 770919 LAST CHG. CODE 61244					
	MODEL APPLICATION FUSES, BULBS & CHASSIS WIRING										70 12H A 9 BK U. P. C. GMP PAGE					
	F.M.V.S.S.										REFERENCE UPC DESCRIPTION					

PRODUCT DESCRIPTION MANUAL

ASSEMBLY INFORMATION

QTY	PART NUMBER	DESCRIPTION	UNIT	ENG CODE	MFG	MATERIAL	QTY	UNIT	MATERIAL	QTY	UNIT	MATERIAL
1	11002637	WIRE COMP GROUND					0704	11				
1	11002609	WIRE COMP GROUND					0704	11				
1	9428744	SCREW					0704	11				
1	138479	WASHER					0704	11				
1	1100263	VOLTRK WIRE ASM					0704	11				
2	134530	VOLTRK WIRE NUT					0704	11				
1	112002631	GEN GRD CABLE ASM					0752	64				
1	112002633	GEN LIDGE CABLE ASM					0752	63				
1	0477474	GEN CBL STRAP ASM					0752	64				
1	9428744	SCREW GRD WR					0704	11				
1	138479	WASHER					0704	11				
2	076543	STRAP SI B/HARN					0782	40				
2	076543	STRAP SI B/HARN					0704	11				
1	2965972	CONN A/C FEED					0782	39				
1	2965972	CONN A/C FEED					0704	11				
1	2977253	CONN A/C FEED					0782	39				
1	2977253	CONN A/C FEED					0704	11				
1	8905652	CONN A/C FEED					0782	39				
1	8913819	WIRE PRESS SW					0782	42				
1	2281062	CLIP WIRE					0752	62				
1	138538	WASHER					0752	11				
2	1115851	RELAY LVL CONT					0784	68				
4	9416043	SCREW RELAY					0784	60				
1	112006500	HARN LVL CONT					0782	43				

<p>1 2 3 4 5 6 7</p> <p>MODEL APPLICATION FUSES, BULBS & CHASSIS WIRING</p>	<p>2E06X00</p> <p>UPC DESCRIPTION</p>	<p>MODEL YEAR 1978</p> <p>ORIGIN DATE 770801</p> <p>LAST CHG DATE 771010</p> <p>LAST CHG CODE LPRC</p> <p>70 12H A 10</p> <p>BR U P C GPP PAGE</p>
---	---------------------------------------	--

REFERENCE

ITEM	PART OR TOOL DESCRIPTION	ADD'L DATA	QTY	PART NUMBER	M O D	ENGINE CODES	SERIES	BOY	BY	DEPARTMENTS		CHANGE		LOGIC CODE	FUNCTION CODE	ADDITL. CODE	JA	LINE NOS
										#1	2/STA	GD	AUTH					
040AA	SWITCH LVL CONT		2	2007701						0782	43			0000430125				9.17
050AA	SWITCH LVL CONT		1	2007702						0782	43			0000430130				9.19
060AA	HARN ASM		1	8910949					IPA	0782	40			3672400110				9.21
070AA	CLIP HARN		4	9798933					IPA	0754	87	038573		3672870130				9.23
080AA	GROMMET		1	2411483					IPA	0782	40							9.25
090AA	WIRE ASM		1	12000946					U26	0782	45			3656450205				9.27
100AA	CLIP		1	120521					U26	0782	45			3656450210				9.27
110AA	HARN I/P LVL		1	12002618					GXM	0704	12			1387120100				9.31
120AA	BLOCK R/C GRD		1	3905283					81GXM	0754	90			1387900135				9.33

ZE06X00

MODEL YEAR 1978
 ORIGIN DATE 770801
 LAST CHG. DATE
 LAST CHG. CODE

MODEL APPLICATION
 FUSES, BULBS & CHASSIS WIRING
 UPC DESCRIPTION

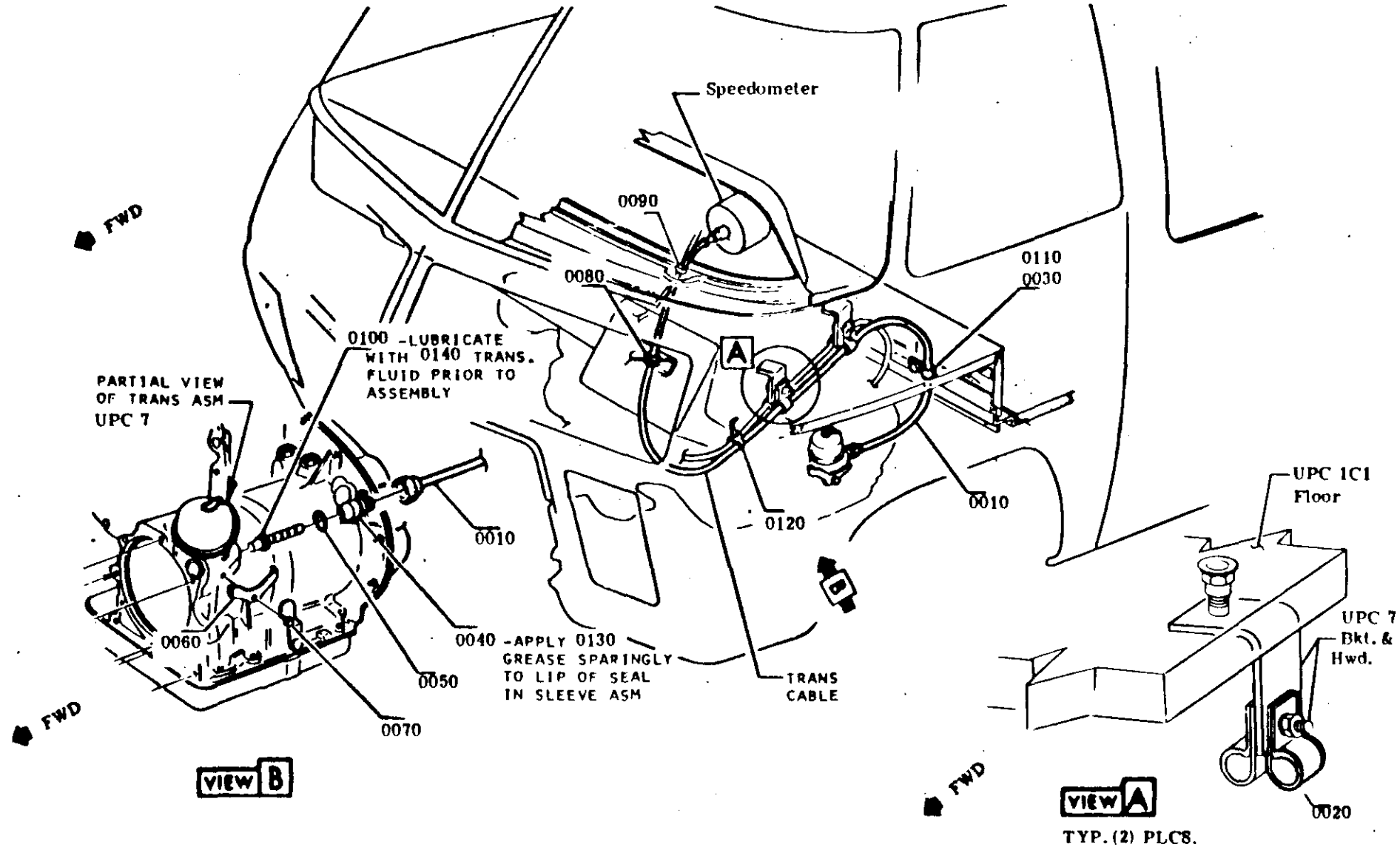
70 12M A 11
 BK V. P. C. 92P PAGES

REFERENCE

F M V S S

□ ITEM REFERENCE ◇ PROCESS MATERIAL △ TORQUE ▣ PART OF OR EXISTING

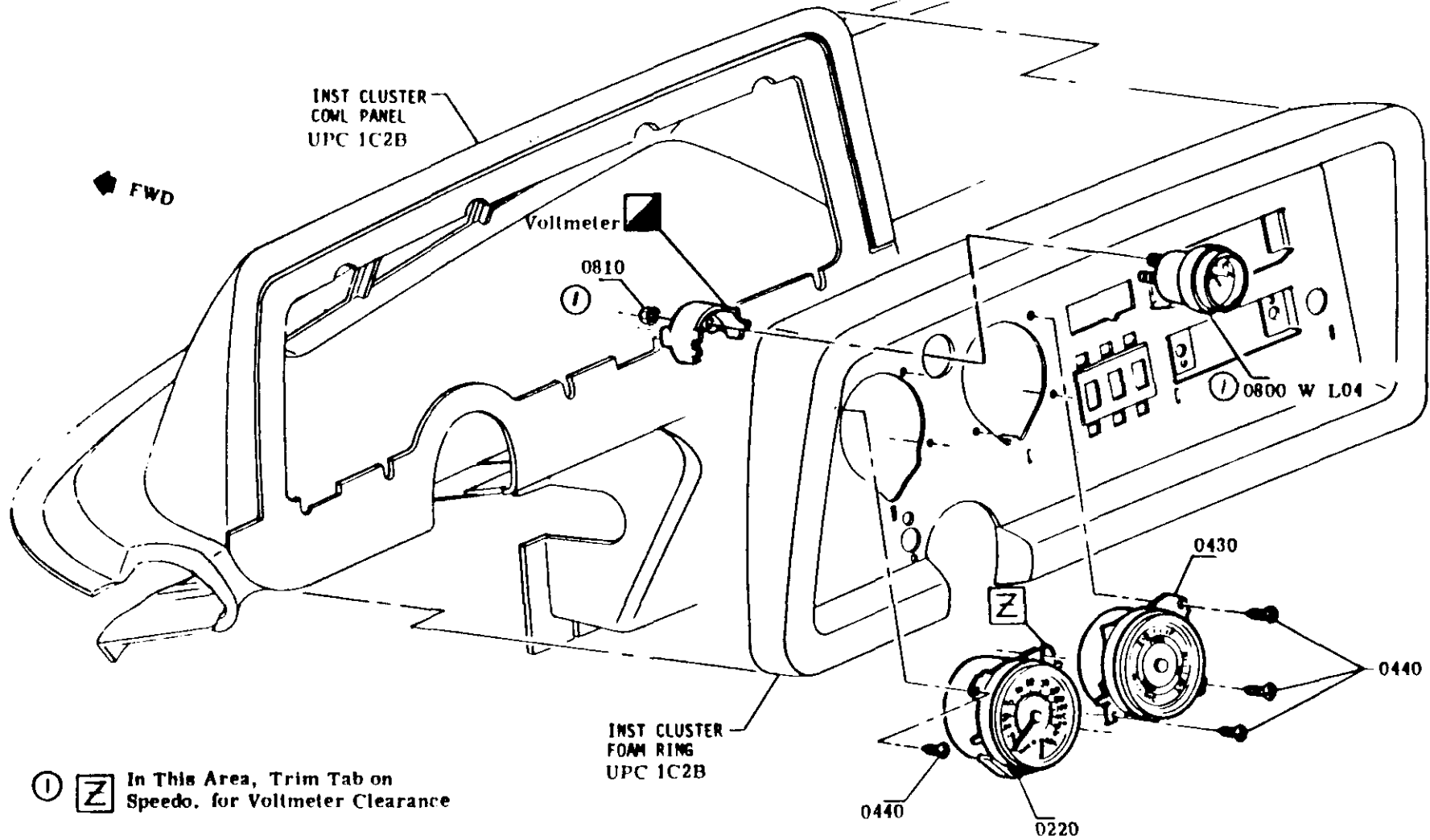
GMT 922 1-73



BY	DATE	SYM	REVISION	AUTH	DR	CR	DEPARTMENTS	TRUCK	BOOK
DYB/MPK (Installation) - LBS	2/77		ORIGINAL RELEASE	47800	SPR		V. CALVIN	78	70
NAME	INST. CARE	DIVISION	TITLE						
	PANEL & INSTRUMENTS	12J	SPEEDOMETER CABLE						
			SHEET						
			1						

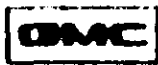
□ ITEM REFERENCE ◊ PROCESS MATERIAL △ TORQUE ▣ PART OF OR EXISTING

GMT 922 1-73



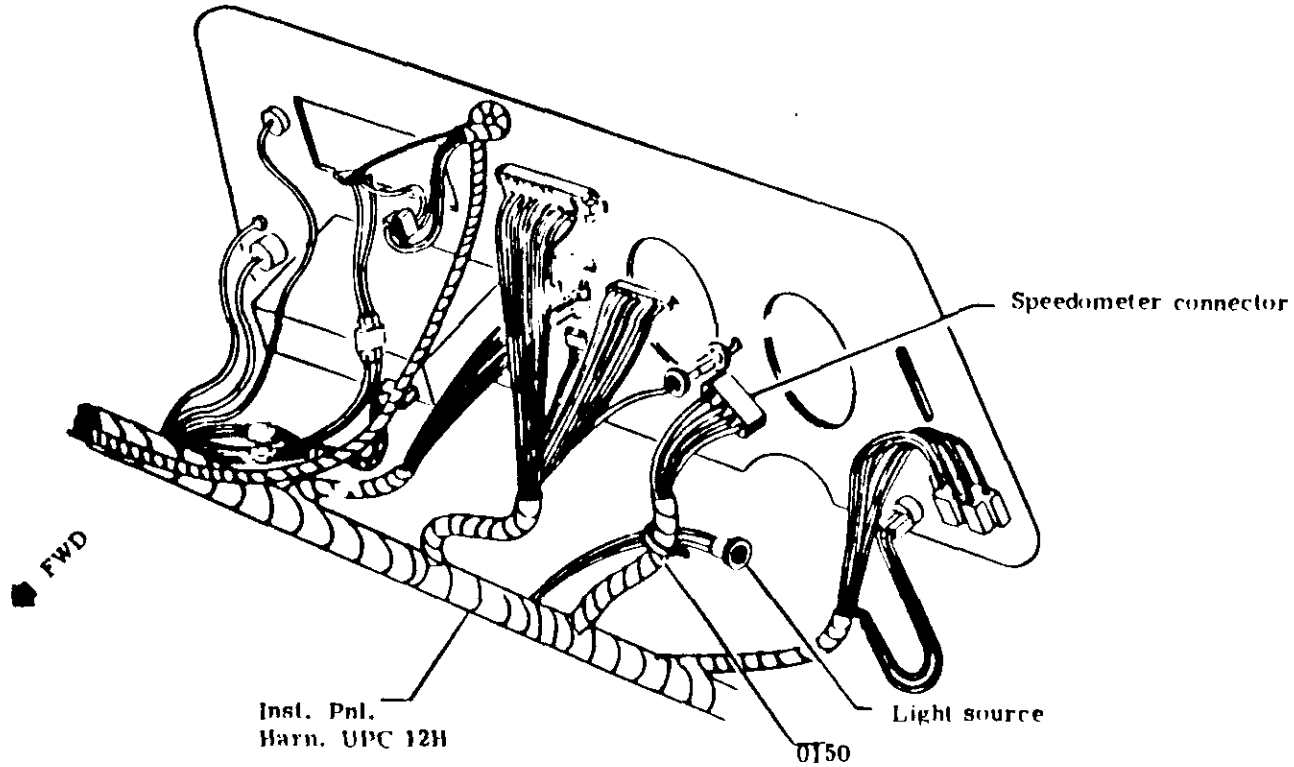
① Z In This Area, Trim Tab on Speedo. for Voltmeter Clearance

BY (Instruction) - 105	MADE (Inspection) - 105	DATE	SYM	REVISION	AUTH	DR	CR	DEPARTMENTS	'78 TRUCK	BOOK 70
▲		2/11		ORIGINAL RELEASE	4300	45		SNIPPER	TITLE	
▲		5/25/77		ITEM 0800, 0810, Z TAB ADDED	5297	45			SPEEDO & GAUGE CLUSTER	
▲									NAME INST. CABIN	
▲									DIVISION	12J
▲									PANEL & INSTRUMENTS	3



□ ITEM REFERENCE ◇ PROCESS MATERIAL △ TORQUE ▣ PART OF OR EXISTING

GMT 922 1 75



BY (Instal/Repair) - (U)	CHKD (Inspection) - (U)	DATE	SYM	DIVISION	AUTH	DR	CR	DEPARTMENTS	'78 TRUCK	BOOK 70
△		6/11/77		ORIGINAL RELEASE	4220	5/2/77			TITLE	
△									INSTRUMENT CLUSTER WIRING	
△									NAME INST CARR	DIVISION/UPC
△									PANEL &	12J
△									INSTRUMENTS	SHEET 10

ITE.	PART OR TOOL DESCRIPTION	ADD'L DATA	QTY	PART NUMBER	ENGINE CODES	SERIES	REV. OR SPM	ITEM RESTRICTION	DEPARTMENTS		CHANGE		LOGIC CODE	FUNCTION CODE	ADDITIO CODES	NA	LINE NOS
									#1	2/57A	CD	AUTH					
AA01014	CRUISE CONT			L3927				K30	0782								1.8
AA02014	INSTR CSTR & PNL			L7869					0782								1.10
AA03014	SPEEDO			L3548					0782								1.12
AA04014	ENG & CHAS WRG			L8752				P1STD/K30	0782								1.14
AA04024	IN STL								0782								1.15
AA05014	ENG & CHAS WRG			L8752				R4STD/K30	0782								1.17
AA05024	IN STL								0782								1.18
AA06014	ENG & CHAS WRG			L8680				R3STD/K30	0782								1.20
AA06024	IN STL								0782								1.21
AA07014	HTR WRG HARN			L6923					0782								1.23
AA07024	IN STL								0782								1.24
AA08014	SHFT IND CBL ASM			L3978					0782								1.26
AA08024	INSTR								0782								1.27
AA09014	I/P WRG HARN			L6922				STD/K30	0782								1.29
AA10014	INSTR CSTR WRG			L6924					0782								1.31
AA10024	HARN								0782								1.32
AA11014	RH SI BODY HARN			MD14650					0782								1.34
AA12014	ENG & CHAS WRG			L9196				R3L04	0782								1.36
AA13014	ENG & CHAS WRG			L9233				R1L04	0782								1.38
AA14014	CRUISE CONT			L3927				K30	0752								1.40
AA15014	INSTR CSTR & PNL			L7869				STD/L04	0752								1.42
AA16014	SPEEDO			L3548					0752								1.44
AA17014	ENG & CHAS WRG			L8752				P1STD/K30	0752								1.46
AA17024	IN STL								0752								1.47
AA18014	ENG & CHAS WRG			L9752				R4STD/K30	0752								1.49
AA18024	IN STL								0752								1.50
AA19014	ENG & CHAS WRG			L8680				R3STD/K30	0752								1.52
AA19024	IN STL								0752								1.53
AA20014	HTR WRG HARN			L6923					0752								1.55
AA20024	IN STL								0752								1.56

1 2 3 4 5 6 7 8 9 10 11 12 13 14 15 16 17 18 19 20 21 22 23 24 25 26 27 28 29 30 31 32 33 34 35 36 37 38 39 40 41 42 43 44 45 46 47 48 49 50 51 52 53 54 55 56 57 58 59 60 61 62 63 64 65 66 67 68 69 70 71 72 73 74 75 76 77 78 79 80 81 82 83 84 85 86 87 88 89 90 91 92 93 94 95 96 97 98 99 100	ZEO5000										MODEL YEAR 1978	
	MODEL APPLICATION										ORIGIN DATE 770803	
	INST CARRIER PANEL AND INSTRUMENTS										LAST CHG. DATE	
	UPC DESCRIPTION										LAST CHG. CODE	
F.M.V.B. REFERENCE										70 12J A 1		
										BK. V. P. C. GRP PAGE		

PRODUCT DESCRIPTION MANUAL

ASSEMBLY INFORMATION

GMT 1061 REV B/78

GMC TRUCK & COACH

ITEM	QTY	PART OR TOOL DESCRIPTION	ADD'L DATA	QTY	PART NUMBER	ENGINE CODES	SERIES	BOY BRK	ITEM RESTRICTION	DEPARTMENTS		CHANGE AUTH	LOGIC CODE	FUNCTION CODE	ADDITIONAL CODES	LINE NOS
										#1	2/51A					
AA23012	1	INSTR CSTR WRG			L6924					0752						2.4
AA23024	1	HARN								0752						2.5
AA24012	1	RH SI BODY HARN			MD14650					0752						2.7
AA25014	1	ENG & CHAS WRG			L9196			83L04		0752						2.9
AA26012	1	ENG & CHAS WRG			L9233			81L04		0752						2.11
GG10AA	1	SHAFT ASM DR			699605					0782	43		0000	430150		2.13 2.14
0020AA	2	CLIP SPEEDU DR			127879					0782	43		0000	430155		2.16
0030AA	1	CLIP SPEEDU DR			127879					0782	43		0000	430160		2.18
0040AA	1	SLEEVE ASM			404024					0752	62		0000	620465		2.20
0050AA	1	SEAL			8622078					0752	62		0000	620470		2.22
0060AA	1	RETAINER			8625094					0752	62		0000	620475		2.24
0070AA	1	SC WASHER ASM			9409107					0752	62					2.26
0080AA	1	GROMMET			2411483					0782	43					2.28
0090AA	1	GROMMET			716612					0782	43					2.30
G100AA	1	GEAR SPEEDU DR			403417					0752	62		0000	620480		2.32
0110AA	1	SCREW			9422232					0782	43					2.34
0120AA	1	STRAP ASM			8877978					0754	87		0000	870135		2.36
0130AA	1	GREASE SPEEDU SP			9985038					0782	43					2.38
0140AA	1	LUB TRANS FLUID			9985252					0752	62					2.40
G150AA	1	STRAP ASM			676543					0782	43		0000	430135		2.42
G160AA	1	CABLE ASM			6499811					0782	43		0000	430140		2.44
0170AA	1	SCREW			9425903					0782	45					2.46

ZE05000

MODEL APPLICATION
INST CARRIER PANEL AND INSTRUMENTS
UPC DESCRIPTION

MODEL YEAR 1978
ORIGIN DATE 770803
LAST CHG DATE 770929
LAST CHG CODE
70 12J A 3
BK U. P. C. GMP PAGE

P. M. V. S. S.

REFERENCE



PRODUCT DESCRIPTION MANUAL

GMY 1001 REV. 5/75

GMC TRUCK & COACH

ASSEMBLY INFORMATION

ITEM	PART OR TOOL DESCRIPTION	ADD'L DATA	QTY	PART NUMBER	ENGINE CODES	SERIES	REV	ITEM RESTRICTION	DEPARTMENTS		CHANGE CD	LOGIC CODE	FUNCTION CODE	ADDITIONAL CODES	PNA	LINE NOS
									#1	#2						
0480AA	NUT		1	120376					0782	37						3.38
0490AA	WA LK		1	138538					0782	37						3.39
0500AA	NUT		1	120614					0752	77		0000	450230			3.42
0510AA	WASHER		1	121801					0752	77						3.44
0520AA	PLATE I/P LIGHTS		1	697208					0782	45		0000	450215			3.46
0530AA	PLATE I/P WSWA		1	697225					0782	45		0000	450220			3.48
0540AA	PLATE BAT BOOST		1	699633					0782	45		0000	450225			3.50
0550AA	PLATE BAT NORM		1	699634					0782	45		0000	450230			3.52
0560AA	PLATE FUEL MAIN		1	699635					0782	45		0000	450235			3.54
0570AA	RETAINER		4	695895					0782	45		0000	450240			3.56
0580AA	PLATE FUEL AUX		1	699636					0782	45		0000	450245			3.58
0590AA	YELL TALE ASM		1	8989860					0782	44		0000	440215			4.1
0600AA	RIBBON ASM		1	8910897					0782	45		0000	450250			4.3
0610AA	SCREW		2	9414711					0782	44						4.5
0700AA	CBL ASM TRANSOCR		1	793191				K30	0754	88		3647	880090			4.7
0710AA	CLIP CABLE		2	127879				K30	0782	50		3647	500080			4.9
0720AA	BOLT		1	9419006				K30	0782	50						4.11
0720AB	95:120 IN LBS								0782	50						4.12
0730AA	WA LK		1	103319				K30	0782	50						4.14
0740AA	NUT CLIP BOLT		1	693207				K30	0702	7						4.16
0800AA	VOLTMETER ASM		1	6473717				L04	0782	46		3647	460110			4.18
0810AA	NUT MTG SCR		2	120614				L04	0782	46						4.20

1 2 3 4 5 F.M.V.S.E.	REFERENCE	7E05000	MODEL YEAR 1978
			ORIGIN DATE 770803
			LAST CHG. DATE
			LAST CHG. CODE
		INST CARRIER PANEL AND INSTRUMENTS	70 12J A 5
		UPC DESCRIPTION	PR. V. P. C. GMP

QTY	PART OR TOOL DESCRIPTION	ADD'L DATA	PART NUMBER	ENGINE CODES	THICK	HOW	ITEM INFORMATION	QTY	QTY	QTY	QTY	QTY	QTY	QTY	QTY
1	MUT		9411385					0782	44						
1	SWITCH ASM FUEL		700994					0782	44						
2	SCREW		9416090					0782	44						
1	SPEEDOMETER ASM		8989366					0782	44						
1	UNIT ASM		6402137					0782	61						
1	ELBOW		401554					0782	61						
2	SCREW		9428613					0782	44						
1	GROMMET		715214					0782	44						
1	CLIP		2423777					0782	44						
1	GROOVE ASM		706751					0782	44						
1	GROOVE ASM		2024077					0782	44						
8	MUT		142247					0782	44						
8	WA LR		120423					0782	44						
4	SCREW		9437760					0782	44						
1	SWITCH ASM BATT		700994					0782	44						
1	SWITCH ASM BATT		790319					0782	44						
2	SCREW		9416090					0782	44						
2	SCREW		9416090					0782	44						
1	SWITCH ASM ELECT		702795					0782	44						
1	WASHER		121753					0782	37						
1	GAGE ASM		8989907					0782	44						
4	SCREW		9437760					0782	44						
1	UNIT ASM		6402383					0782	61						
1	MUT		134531					0782	37						
1	WA LR		120423					0782	37						

1															
2															
3															
4															
5															
6															
7															
8															
9															
10															
11															
12															
13															
14															
15															
16															
17															
18															
19															
20															
21															
22															
23															
24															
25															
26															
27															
28															
29															
30															
31															
32															
33															
34															
35															
36															
37															
38															
39															
40															
41															
42															
43															
44															
45															
46															
47															
48															
49															
50															
51															
52															
53															
54															
55															
56															
57															
58															
59															
60															
61															
62															
63															
64															
65															
66															
67															
68															
69															
70															
71															
72															
73															
74															
75															
76															
77															
78															
79															
80															
81															
82															
83															
84															
85															
86															
87															
88															
89															
90															
91															
92															
93															
94															
95															
96															
97															
98															
99															
100															

2E0500

MODEL APPLICATION
INST CARRIER PANEL AND INSTRUMENTS

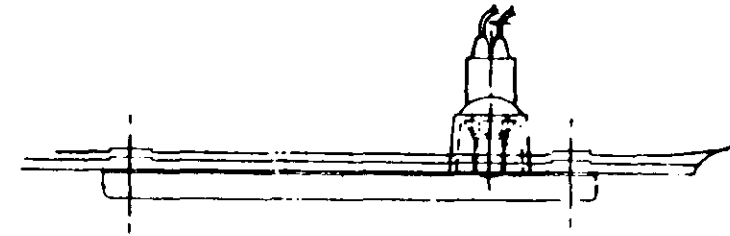
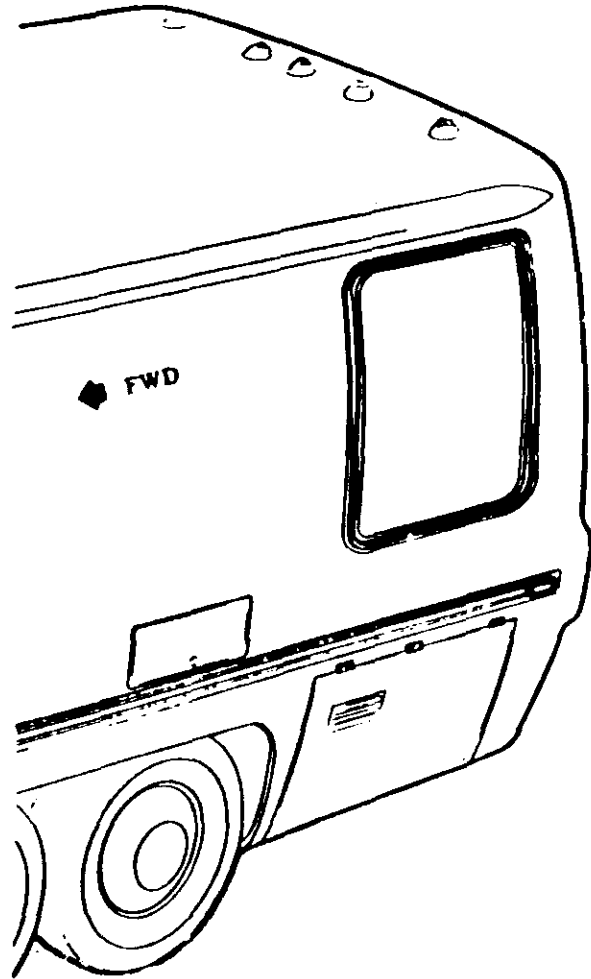
UPC DESCRIPTION

MODEL YEAR 1970
ORIGIN DATE 770803
LAST CHG DATE 771008
LAST CHG CODE 61590

70 12J A 4
BK U. P. C. GRP PAGE

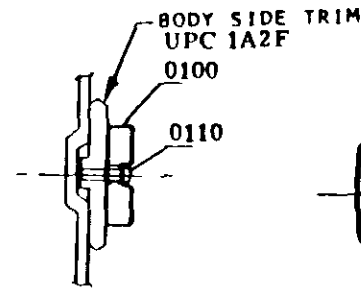
□ ITEM REFERENCE ◇ PROCESS MATERIAL △ TORQUE ▣ PART OF OR EXISTING

GMT 922 1-73

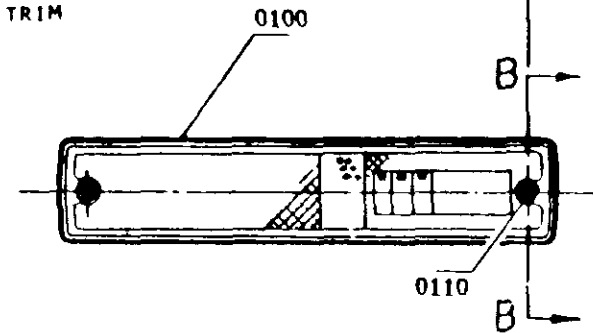


PLAN VIEW

◆ FWD



SECTION B-B



VIEW A

LH SHOWN
RH SYMM OPP

DYNAMIC (Installation) - LBS	HAZARD (Inspection) - LBS	DATE	SYM	REVISION	AUTH	DR	CK	DEPARTMENTS	TRUCK	BOOK	
△ △ △ △		6-19-77		ORIGINAL RELEASE	470cc	J.P.		THOMPSON	70	70	
									TITLE		
									SIDE MARKER LAMPS - REAR		
									NAME	DIVISION	SHEET
									MARKER LAMPS	12K	4

PRODUCT DESCRIPTION MANUAL

ASSEMBLY INFORMATION

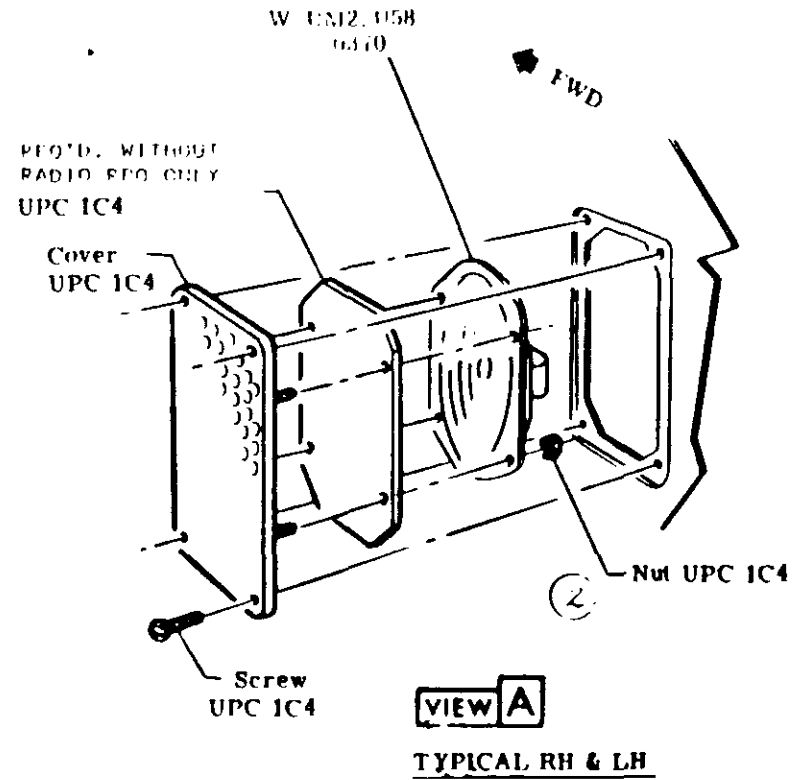
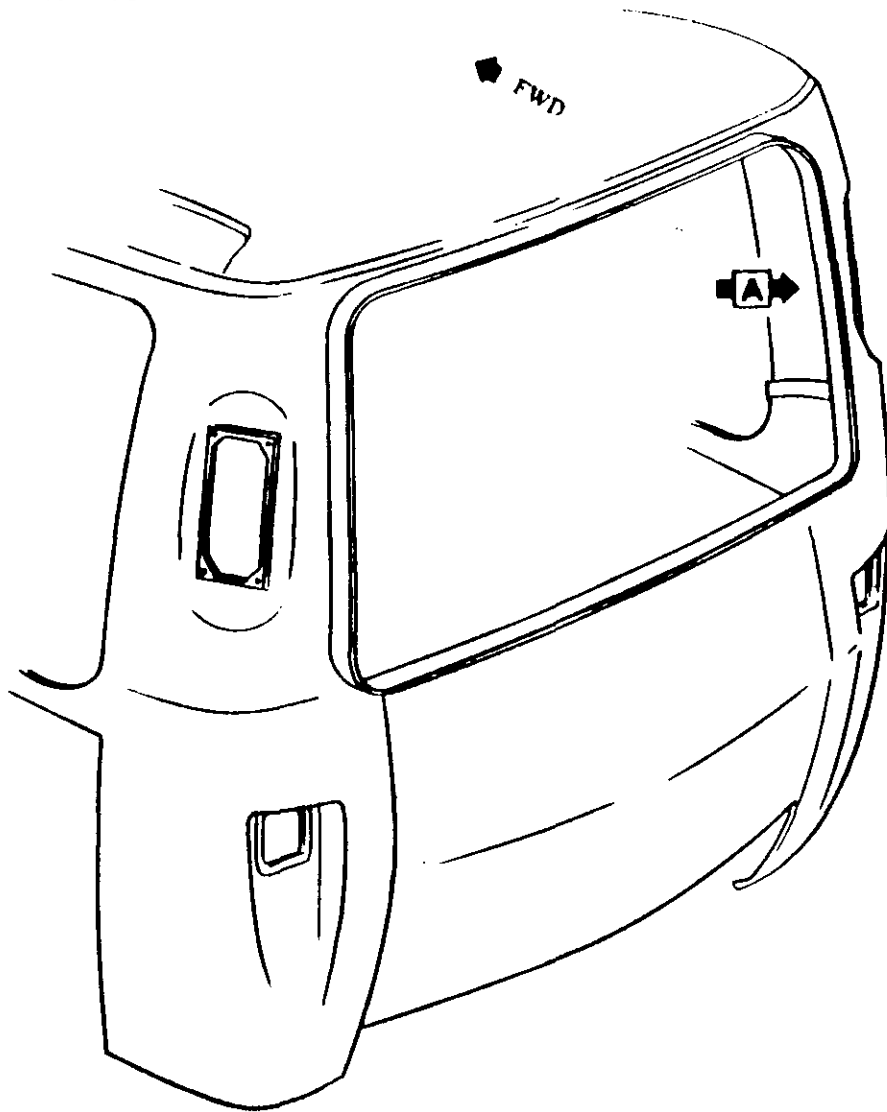
GMT 1001 REV. 5/78

GENE TRUCK & CONCRETE

PART OR TOOL DESCRIPTION	ADD'L DATA	QTY	PART NUMBER	ENGINE CODES	SERIES	REV	ITEM RESTRICTION	DEPARTMENTS		CHANGE		LOGIC CODE	FUNCTION CODE	ADDITIONAL CODES	PMA	LINE NOS
								1	2/STA	CD	AUTH					
GROMMET # DA		1	9798363					0782	28							1.4
G090AA GROMMET # DA		1	790945			B1		0782	38							1.4
D090AA GROMMET # DA		1	9798363			B3		0782	38							1.50
D100AA LAMP ASM		2	695498					0782	38			00003M1170				1.5
D110AA SCREW		4	9420511					0762	38							1.54

P.M.V.S.S.	REFERENCE	7E66X00	MODEL YEAR 1978
		MODEL APPLICATION	ORIGIN DATE 77C802
		MARKER LAMPS	LAST CHG DATE
		UPC DESCRIPTION	LAST CHG CODE
			70 12K A 2
			BR. U. P. C. GMP PAGE

GMI 222 1-73

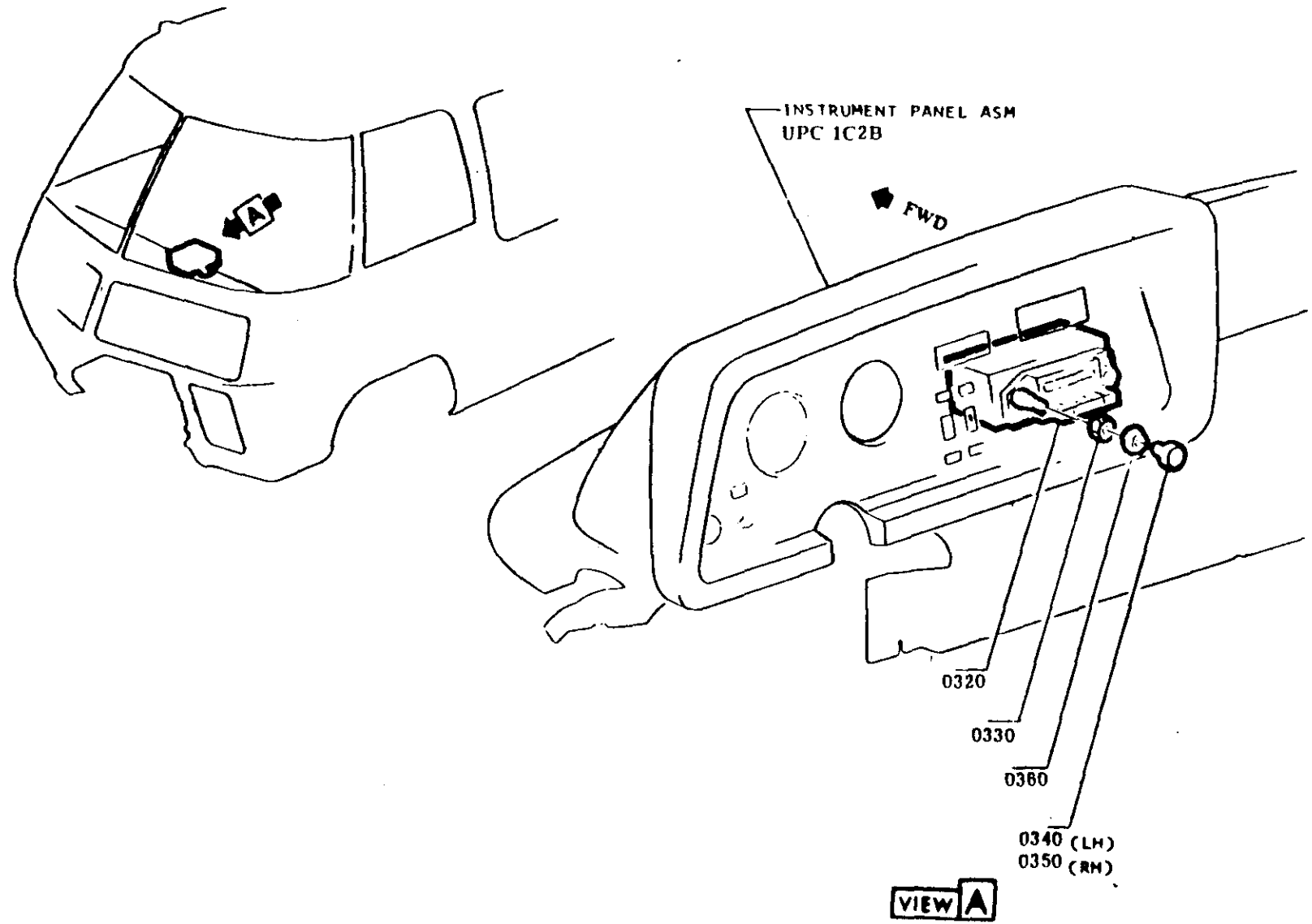


SYMBOL (Instruction) - LBS	PLANT (Instruction) - LBS	DATE	SYM	REVISION	AUTH	DR	FR	DEPARTMENTS
▲ ▲ ▲ ▲		2-76-77		ORIGINAL RELEASE				
		5-25-77	1	ITEMS 0070, 0080, 0100 REM'D				
		10-17-77	2	ITEM 0130 REMOVED				

'78 TRUCK		BOOK 70	
TITLE REAR SPEAKER			
NAME ELECT. CONV. ITEMS	DIVISION 12L	SHEET 3	

□ ITEM REFERENCE ◇ PROCESS MATERIAL ▲ TORQUE ▣ PART OF OR EXISTING

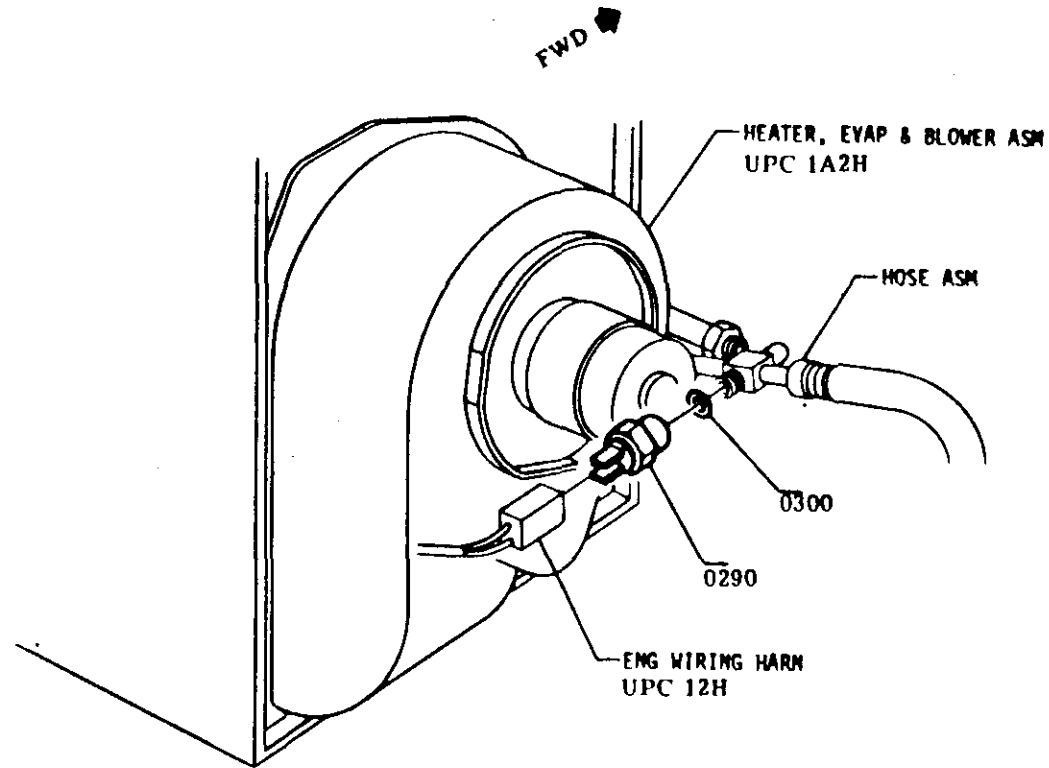
GMT 922 1-73



SYNCH (Installation) - 105	REAR (Inspection) - 105	DATE	SYM	REVISION	AUTH	DR	CE	DEPARTMENTS	78 TRUCK	BOOK 70
▲		11-77		ORIGINAL RELEASE				<i>R. Hampton</i>	TITLE	
▲									RADIO	
▲									W UM2, U58	
▲									NAME	
▲									ELECT. CONV. ITEMS	
									QUANTITY	12L
									SHEET	6



GMT 922 1-73

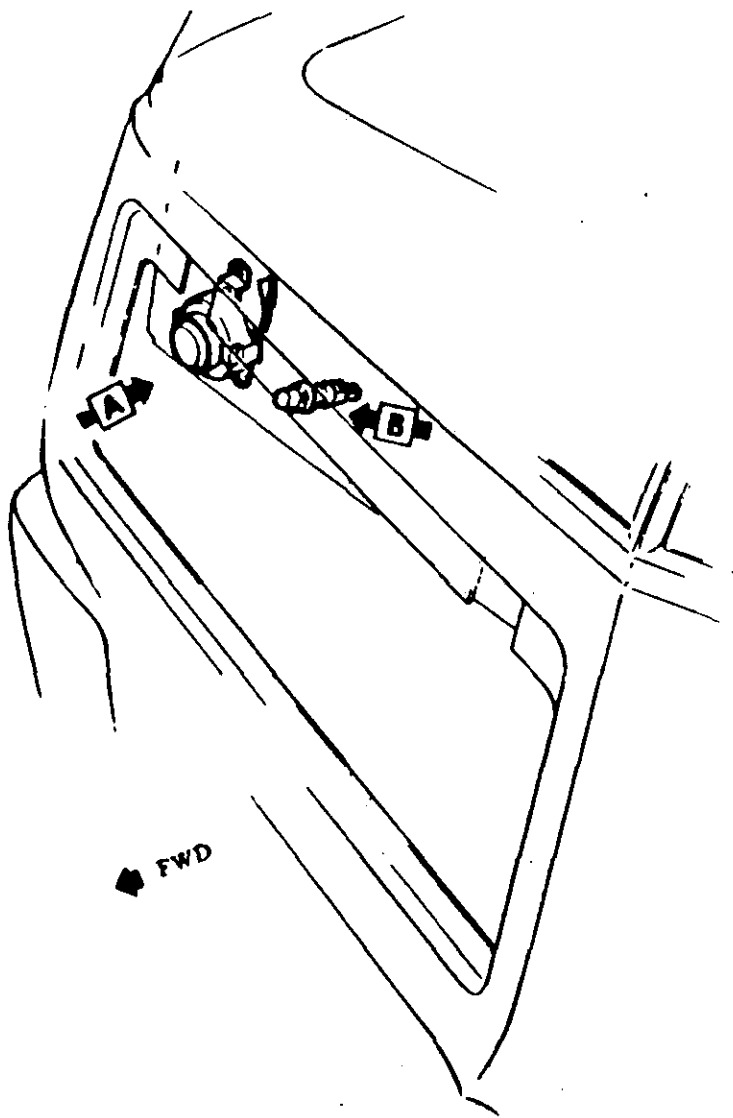


VIEW A

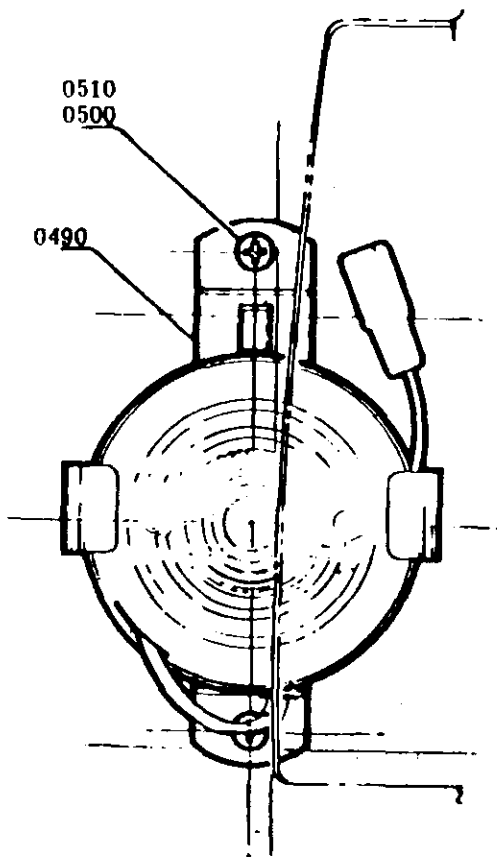
From Sht. 8

SYMBOL (Instruction) - LBS.	REMARK (Inspection) - LBS.	DATE	SYM	REVISION	AMTY	DR	CR	DEPARTMENTS	TRUCK	BOOK	
△ △ △ △		6/6/73		ORIGINAL RELEASE	41000				78	70	
									TITLE AMBIENT SENSOR SW.		
									NAME ELECT. CONV. ITEMS	QUANTITY 12L	SHEET 9

GMT 922 1-73

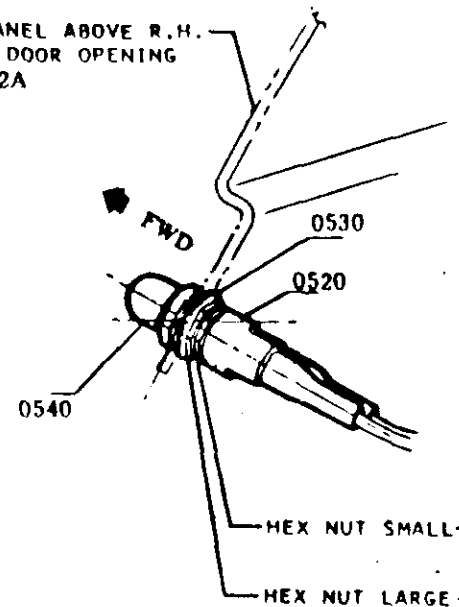


BODY PANEL ABOVE R.H.
ACCESS DOOR OPENING
UPC 1C2A



VIEW A

FRONT VIEW



PART OF SWITCH ASM.
RUN FIRMLY TO SHOULDER
IN SEQUENCE SHOWN

VIEW B

DYNAMIC (Installation) - LBS	HAZARD (Inspection) - LBS	DATE	SYM	REVISION	AUTH	DR	CR	DEPARTMENTS
△		2/73		ORIGINAL RELEASE				Stampen
△								
△								
△								
△								

70 TRUCK		BOOK 70	
TITLE ENGINE COMPARTMENT LAMP RPO U26			
QUANTITY ELECT. CONV. ITEMS	ISSUES 12L	SHEETS 15	

PRODUCT DESCRIPTION MANUAL

ASSEMBLY INFORMATION

QMT 1081 REV. 8/78

CUMMINS TRUCK & CONCRETE

ITEM	QTY	PART OR TOOL DESCRIPTION	ADD'L DATA	QTY	PART NUMBER	ENGINE CODES	SERIES	REV	ITEM RESTRICTION	DEPARTMENTS		CHANGE		LOGIC CODE	FUNCTION CODE	ADDITIONAL CODES	FNA	LINE NOS
										#1	2/3/4	CD	AUTH					
AA01014		ENG & CHAS WRG		*	L8752					0782								1.8
AA01024		ENG & CHAS WRG		*	L7866					0782								1.9
AA01034		ENG & CHAS WRG		*	L8680					0782								1.10
AA01044		ENG & CHAS WRG		*	L7867					0782								1.11
AA02014		RR SPKR INSTAL		*	L4251				UM2/U58	0782								1.13
AA03014		PORCH LP AUX		*	MD10094					0782								1.15
AA03024		DRILL								0782								1.16
AA04014		SPKR & DM LP		*	L3993				UM2/U58	0782								1.18
AA06014		RH SI BODY HARN		*	MD14650					0782								1.20
AA08014		FRY RF WRG HARN		*	MD10421					0782								1.22
AA07014		INSTR CSTR		*	L7869				UM2/U41/U58	0782								1.24
AA08014		HTR HOSE & A/C		*	L8449					0782								1.26
AA08024		INST								0782								1.27
AA09014		FWD LP HARN INST		*	L6925				UM2/U26/U58	0782								1.29
AA10014		HTR WRG HARN		*	L6923				UM2/U58	0782								1.31
AA10024		INST								0782								1.32
AA11014		INSTR CSTR WRG		*	L6924				UM2/U41/U58	0782								1.35
AA11024		INSTL								0782								1.35
AA12014		LVL VLV CONT PNL		*	L8356					0782								1.37
AA12024		INST								0782								1.38
AA12034		INST		*	L8456					0782								1.39
AA13014		ROD INSTAL		*	L8421				UM2/U58	0782								1.41
AA14014		ROD & ANT SYS		*	MD15463				UM2/U58	0782								1.43
AA14024		INSP PROC INSTR								0782								1.44
AA15014		I/P HARN INSTAL		*	L6922				U41	0782								1.46
AA16014		C78 ANT INSTL &		*	L8934				U84	0782								1.48
AA16024		DRILL								0782								1.49
AA17014		RR SPKR INST		*	L9448				UM2/U58	0782								1.51
AA18014		FRY RF HARN DRILL		*	MD16080				UM2/U58	0782								1.53
AA19014		ENG COMP LP		*	MD10709				U26	0782								1.55
AA19024		DRILL INSTL								0782								1.56

	ZEO 5000	MODEL YEAR 1978 ORIGIN DATE 770803 LAST CHG. DATE LAST CHG. CODE
MODEL APPLICATION ELECTRICAL CONVENIENCE ITEMS UPC DESCRIPTION		70 12L A 1 PK U. P. C. QTY PAGE

ITEM	PART OR TOOL DESCRIPTION	ADD'L DATA	QTY	PART NUMBER	ENGINE CODES	SERIES	BODY BBOX	ITEM RESTRICTION	DEPARTMENTS		CHANGE CD	AUTH	LOGIC CODE	FUNCTION CODE	ADDITG CODES	FNA	LINE NOS
									#1	2/STA							
AA20014	HTR HOSE & A/C			L7854					0782								1.58
AA20024	INST								0782								1.59
AA21014	ENG & CHAS WRG			L8754					0704								2.2
AA21024	ENG & CHAS WRG			L7866					0704								2.3
AA21034	ENG & CHAS WRG			L8680					0704								2.4
AA21044	ENG & CHAS WRG			L7861					0704								2.5
AA22014	RR SPKR INSTAL			L4251				UM2/U58	0704								2.7
AA23014	PORCH LP AUX			MD10094					0704								2.9
AA23024	DRILL								0704								2.10
AA24014	SPKR & OH LP			L3993				UM2/U58	0704								2.12
AA25014	RH SI BODY HARN			MD14650					0704								2.14
AA26014	FRY RF WRG HARN			MD10421					0704								2.16
AA28014	HTR HOSE & A/C			L8444					0704								2.18
AA28024	INST								0704								2.19
AA29014	FWD LP HARN INST			L6923				UM2/U26/U58	0704								2.21
AA30014	HTR WRG HARN			L6923				UM2/U58	0704								2.23
AA30024	INST								0704								2.24
AA31014	INSTR CSTR WRG			L6924				UM2/U41/U58	0704								2.26
AA31024	INSTL								0704								2.27
AA32014	LVL VLV CONT PNL			L8356					0704								2.29
AA32024	INST								0704								2.30
AA33014	LVL VLV CONT PNL			L8458					0704								2.32
AA33024	INST								0704								2.33
AA34014	ROD INSTAL			L8421				UM2/U58	0704								2.35
AA35014	ROD & ANT SYS			MD15463				UM2/U58	0704								2.37
AA35024	INSP PROC INSTR								0704								2.38
AA36014	I/P HARN INSTAL			L6922				U41	0704								2.40
AA37014	C/B ANT INSTL &			L8934				U84	0704								2.42
AA37024	DRILL								0704								2.43
AA38014	RR SPKR INST			L9448				UM2/U58	0704								2.45

ZFO 5000

MODEL YEAR 1978
ORIGIN DATE 770803
LAST CHG DATE
LAST CHG CODE

MODEL APPLICATION
ELECTRICAL CONVENIENCE ITEMS
UPC DESCRIPTION

70 12L A 2
PK U. P. C. SHP PAGE

ITEM	QTY	PART OR TOOL DESCRIPTION	ADD'L DATA	QTY	PART NUMBER	ENGINE CODES	SERIES	DOY BRN	ITEM RESTRICTION	DEPARTMENTS #1 2/STA	CHANGE CD AUTH	LOGIC CODE	FUNCTION CODE	ADDITIONAL CODES	LINE NOS
AA39014	1	FRT RF HARNDRILL		1	MD16000			8	UM2/U58	0704					2.47
AA40014	1	ENG COMP LP		1	MD10709				U26	0704					2.49
AA40024	1	DRILL INSTL								0704					2.50
AA41014	1	HTR HOSE & A/C		1	L7854					0704					2.52
AA41024	1	INST								0704					2.53
AA27014	1	INSTR CSTR		1	L7869				UM2/U41/U58	0704					2.55
0010AA	2	LENS DM LP		2	220013679					0782	47	039100000	670005		2.56
0020AA	2	REFLECTOR DM LP		2	220030351					0782	47	039100000	470010		2.59
0030AA	8	SCREW		8	9417987					0782	47				3.2
0040AA	8	NUT		8	9431530					0782	47				3.4
0050AA	2	SWITCH DM LP		2	1386691					0782	47		0000470019		3.6
0060AA	2	PANEL SPKR		2	694050					0782	47		0000470020		3.8
0090AA	2	COVER SPKR HOLE		2	699019				UM2/U58	0782	47	CORR.0459	470035		3.10
0090AB	1	COVER SPKR HOLE		1	699019				UM2/U58	0782	47	CORR.0225	470035		3.11
0110AA	4	SCREW COVER		4	9414714					0782	47				3.13
0120AA	4	SCREW COVER		4	9417276					0782	47				3.15
0130AA	12	NUT		12	9419761					0782	47				3.17
0140AA	1	CONDUIT ASM		1	704520					0704	13		0000130080		3.19
0150AA	2	CLIP		2	409794					0704	13		0000130085		3.21
0160AA	1	SW ASM DOOR		1	9662504					0782	40		0000400115		3.23
0170AA	1	WA LK		1	138542					0704	12				3.25
0180AA	1	KNOB ASM		1	344803					0758	100		0000103030		3.27
0190AA	1	HOUSING ASM		1	3982869					0782	45		0000450255		3.29
0200AA	1	KEY ASM CIG LTR		1	3986870					0782	45		0000450260		3.31
0210AA	1	PROBE ASM		1	358375					0752	69		0000690120		3.33
0220AA	1	MODULE ASM		1	356135					0782	45		0000450265		3.35

1															
2															
3															
4															
5															
P.M.V.B.															

ZE03000

MODEL APPLICATION
ELECTRICAL CONVENIENCE ITEMS
UPC DESCRIPTION

MODEL YEAR 1978
ORIGIN DATE 770803
LAST CHG. DATE 771003
LAST CHG. CODE 03910
70 12L A 3
BK. U. P. G. 878 PAGE



PRODUCT DESCRIPTION MANUAL

ASSEMBLY INFORMATION

DMT 1061 REV. 8/78

GM TRUCK & COACH

ITEM NO	PART OR TOOL DESCRIPTION	ADD'L DATA	QTY	PART NUMBER	ENGINE CODES	SERIES	BOX DIM	ITEM RESTRICTION	DEPARTMENTS		CHANGE CD	LOGIC AUTH	LOGIC CODE	FUNCTION CODE	ADDITIO CODES	FNA	LINE NOB
									91	2/STA							
0250AA	LAMP ASM		1	791143			P1		0782	38			0000380175				3.37
0260AA	SCREW		2	9417303			R1		0782	38							3.38
0270AA	RIVNUT		2	2265051			R1		0782	38							3.41
0280AA	ADHESIVE		4	9981090			R1		0782	38							3.42
0290AA	SWITCH ASM		1	6262646					0782	41			0000410280				3.45
0300AA	C RING		1	8520398					0782	41							3.47
0320ZU	RECEIVER ASM		1	7898450				U56	0782	45		037442254450270				08100	3.49
0320ZF	RECEIVER ASM		1	7898510				UM2	0782	45		037449297450270				06000	3.50
0330FA	NUT		2	7279804				UM2/U56	0782	45							3.52
0340AA	KNOB ASM TUNING		1	3986872				UM2/U56	0782	45		0474450275					3.54
0350AA	KNOB ASM TUNING		1	3986879				UM2/U56	0782	45		0474450280					3.55
0360AA	KNOB ASM TUNE		2	3986873				UM2/U56	0782	45		0474450285					3.58
0370AA	SPEAKER ASM RR		2	7898080				UM2/U56	0782	40		037440474400120				CP000	4.1
0375ZB	SPEAKER ASP CIR		2	7028765				UM2/U56	0782	40		037440474400130				OR090	4.3
0380AA	SPEAKER ASP FRT		2	16000680				UM2/U56	0782	40		037440474400125				07100	4.5
0385AA	SCREW		8	9422164				UM2/U56	0782	40							4.7
0390AB	ERRT HOI SIRT		1	796978				UM2/U56	0782	45		0474450290					4.9
0395AA	NUT		8	9433156				UM2/U56	0782	40							4.11
0400AB	CLIP ASM		1	9445948				UM2/U56	0782	45		0474450295					4.13
0410AB	WASHER		2	446181				UM2/U56	0782	45							4.14
0420ZB	WA LK		1	138479				UM2/U56	0782	45							4.17
0430AB	NUT		1	120361				UM2/U56	0782	45							4.19
0440AA	Billet		1	180072				UM2/U56	0782	45							4.21
0450AA	WASHER		1	121753				UM2/U56	0787	45							4.23
0460AA	WA LK		1	3767134				UM2/U56	0782	45							4.25

P.M.V.E.S.	REFERENCE	ZE0500G	MODEL YEAR 1978
		MODEL APPLICATION ELECTRICAL CONVENIENCE ITEMS	ORIGIN DATE 770803
			LAST CHG. DATE 770823
			LAST CHG. CODE 3744
			70 12L A
			85 N. P. C. QRP PAGE

ITEM	PART OR TOOL DESCRIPTION	ADD'L DATA	QTY	PART NUMBER	ENGINE CODES	SERIES	BOX OR BK	ITEM RESTRICTION	DEPARTMENTS		CHANGE		LOGIC CODE	FUNCTION CODE	ADDIT'G CODE	A	LINE NOS
									#1	2/51A	CD	AUTH					
047	ANTENNA ASM		1	713739				UM2/U56	0782	39			0474390160	M			4.26
0475AA	ANTENNA ASM C/B		1	2021804				U84	0782	39			5710390165	M			4.26
0475AB	INSTR							REFER TO GRAPHICS SHT FOR INSTR	0782	39							4.29
0480AA	CAPACITOR ASM		1	409609				UM2/U58	0782	42			0474420335	M			4.31
0485AA	STRAP C/B ANT		1	8877976				U84	0782	39			5710390170	M			4.33
0490AA	LAMP ASM		1	705450				U26	0782	45			3656450300	M			4.35
0500AA	SCREW		2	9414722				U26	0782	45							4.37
0510AA	WA LK		2	121801				U26	0782	45							4.38
0520AA	SWITCH ASM		1	704885				U26	0782	45			3656450305	M			4.41
0530AA	WA LK		1	138549				U26	0782	45							4.43
0540AA	SEAL ASM		1	683653				U26	0782	45			3656450310	M			4.45
0550AA	WARNING ASM		1	1597232				U41	0782	39			3657390175	M			4.47
0600AA	PANEL LVL VLV		1	2009201					0782	43			0000430145	M			4.49

F.M.V.B.B.	REFERENCE	ZEO5000	MODEL YEAR 1978
		MODEL APPLICATION ELECTRICAL CONVENIENCE ITEMS	ORIGIN DATE 770803
		UPC DESCRIPTION	LAST CHG. DATE
			LAST CHG. CODE
			70 121 A 5
			BK. V. P. G. SMP PAGE

PRODUCT DESCRIPTION MANUAL

ASSEMBLY INFORMATION

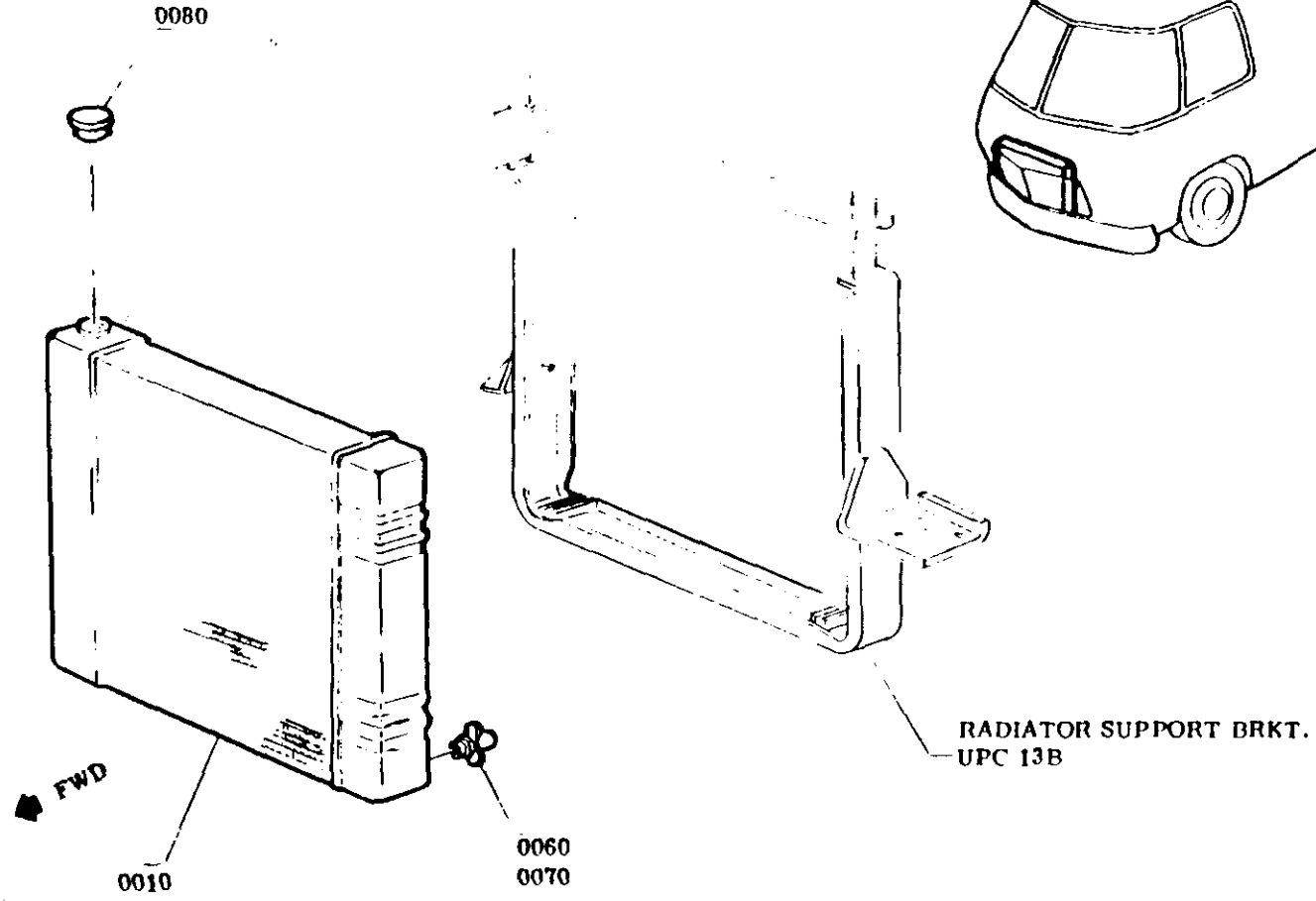
DMT 1001 REV. 5/78

GENE TRUCK & COACH

ITEM	REV.	PART OR TOOL DESCRIPTION	ADD'L DATA	QTY	PART NUMBER	ENGINE CODES	SERIES	BODY	ITEM RESTRICTION	DEPARTMENTS		CHANGE		LOGIC CODE	FUNCTION CODE	ADDITIONAL CODES	FPA	LINE NOS.
										#1	2-STA	CO	AUTH					
		MVSS STD. UPC 6M1 CAT. 3 (RADIATOR AND FAN SHROUD)		3														1.0
		<p>EXERCISE CARE MUST BE EXERCISED IN THE SUB-ASSEMBLY OF RADIATOR FAN SHROUD TO THE RADIATOR. THE FAN SHROUD MUST BE SO LOCATED THAT THE DISTANCE BETWEEN TIP OF THE FAN BLADE AND THE SHROUD IS UNIFORM SO THAT FAN BLADE DOES NOT STRIKE THE RING. SPECIFIED TORQUE OF HOLD DOWN STOCK MUST BE MAINTAINED SO THAT FAN SHROUD WILL NOT BECOME LOOSE OR VIBRATE.</p>																
		<p>PROCESS DOCUMENTATION: THIS PROCESS UTILIZES STANDARD TOOLS AND EQUIPMENT OF WHICH THE CAPABILITIES ARE WELL ESTABLISHED.</p>																
		<p>APPROVED BY: <i>James E. Kough</i></p>																
		<p>DATE: <i>10/12/77</i></p>																
1		UPC 6	1977 PDM						ZE05XXX									MODEL YEAR IS 78
2		CAT. 3																ORIGIN DATE
3		RAD. FAN																LAST CHG. DATE
4		SHROUD																LAST CHG. CODE
5																		70 13 33 1
		F.M.V.G.S.	REFERENCE															BY W.P.S. JRC. PAGE

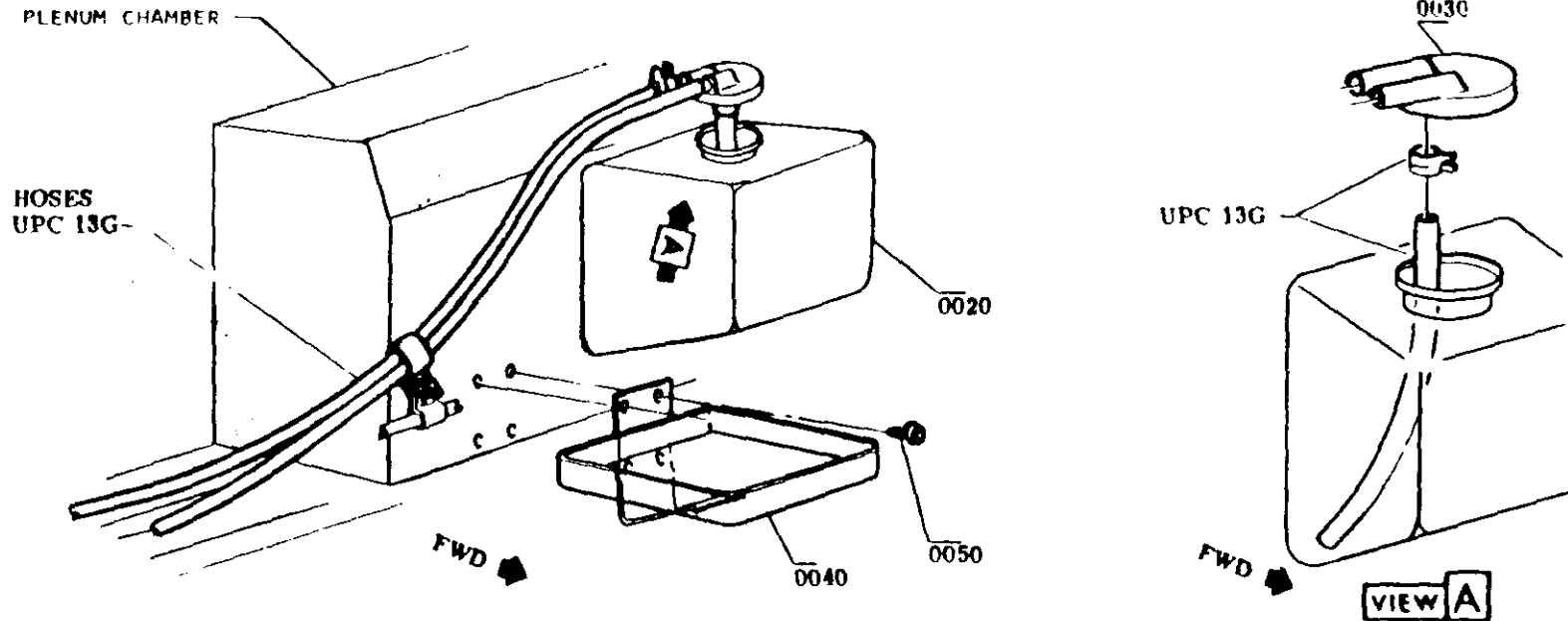


GMT 922 1/75



DYNAMIC (Installation) - (LBS)	STATIC (Inspection) - (LBS)	DATE	SYN	REVISION	AUTH	DR	CR	DEPARTMENTS	TITLE
△		6-7-77		original Release	47000				'78 TRUCK
△									BOOK 70
△									RADIATOR CORE ASM.
△									NAME: RADIATOR ASM.
△									DIVISION/UPC: 13A
△									SHEET: 1

GMT 922 1-73



CLOSED TYPE COOLANT SYSTEM

INITIAL COLD FILL INSTRUCTION

1. FILL RADIATOR TO FILLER NECK.
2. INSTALL RADIATOR CAP--ALIGN STRIPE WITH RADIATOR OVERFLOW TUBE.
3. FILL RESERVOIR TO COLD LEVEL LINE ONLY.
4. INSTALL RESERVOIR CAP.

CAUTION

1. **DO NOT REMOVE RADIATOR CAP WHEN ENGINE IS AT NORMAL OPERATING TEMPERATURE OR OVERHEATED. SERIOUS PERSONAL INJURY MAY RESULT.**
2. CARE MUST BE TAKEN WHEN FILLING SYSTEM TO PREVENT DAMAGE TO FINISH.

COOLANT LEVEL CHECK AFTER INITIAL FILL

1. **DO NOT REMOVE RADIATOR CAP TO CHECK OR FILL COOLANT SYSTEM.**
2. COOLANT LEVEL SHOULD BE CHECKED VISUALLY AT SEE-THROUGH RESERVOIR.
3. COOLANT LEVEL SHOULD BE AT THE COLD LEVEL LINE WHEN THE ENGINE IS COLD AND NEAR THE HOT LEVEL LINE WHEN THE ENGINE IS AT NORMAL OPERATION TEMPERATURE.

DATE	SYM	REVISION	AUTH	DR	IN	DEPARTMENTS	'78 TRUCK BOOK70	
4-77		ORIGINAL RELEASE	47000P				TITLE COOLANT RECOVERY TANK	
							NAME RADIATOR ASM.	DIVISION 13A
								SHEET 2





PRODUCT DESCRIPTION MANUAL

ASSEMBLY INFORMATION

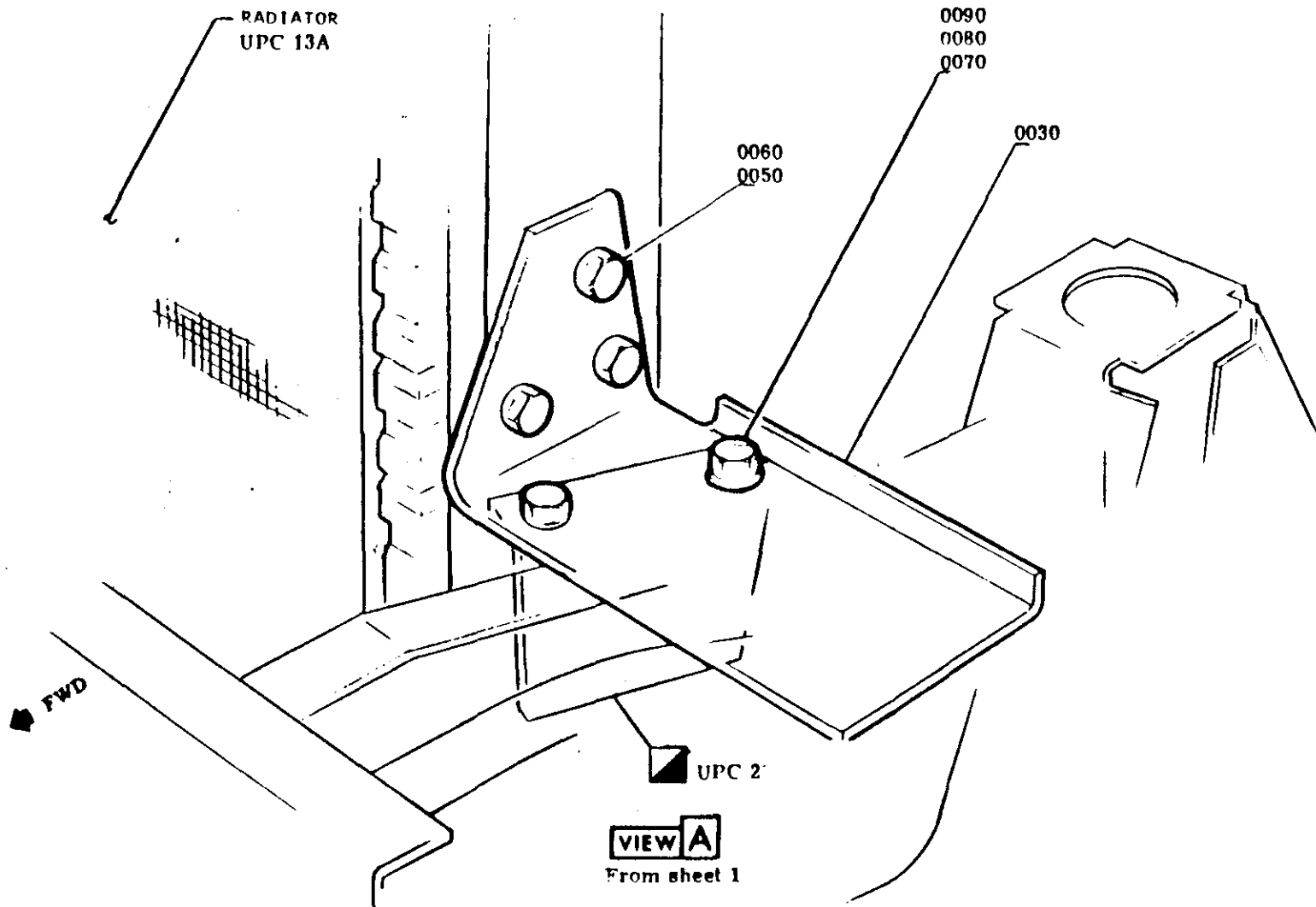
GMT 1001 REV. 5/78

GENE TRACK & CRACKER

ITEM	QTY	PART OR TOOL DESCRIPTION	ADD'L DATA	QTY	PART NUMBER	ENGINE CODES	SERIES	NOV. BIRK	ITEM RESTRICTION	DEPARTMENTS		CHANGE		LOGIC CODE	FUNCTION CODE	ADDITIONAL CODES	FNA	LINE NOS.
										#1	2/51A	CD	AUTH					
AA01014		CLG SYSTEM		*	L8450					0782								1.8
AA02014		CLG SYSTEM		*	L8450					0752								1.10
AA03014		CLG SYSTEM		*	LP450					0702								1.12
0010AA		BODY ASM RAD		1	3035237					0752	69			0000	690125			1.20
0020AA		TANK ASM		1	337846					0702	7	REPR	0000	070095				1.22
0030AA		CAP		1	1497193					0782	41			0000	410290			1.24
0040AA		BRKY ASM		1	325653					0702	7			0000	070100			1.26
0050AA		SCREW		4	9417855					0702	7							1.26
0060AA		COCK ASM		1	9427524					0752	69			0000	690130			1.30
0070AA		SEALER		4	R33431					0752	69							1.32
0080AA		CAP ASM		1	6410618					0752	69			0000	690135			1.34

1 2 3 4 5	2E03000		MODEL YEAR 1978
	MODEL APPLICATION RADIATOR		ORIGIN DATE 770802
F.M.V.B.B. REFERENCE		UPC DESCRIPTION	LAST CHG. DATE 770801
			LAST CHG. CODE REPRC
			70 13A A 1
			BK U. P. C. SHP PAGE

GMT 922 8/74



DYNAME (Installation) - LPS	HAUD (Inspection) - LPS	DATE	SYM	REVISION	AUTH	DR	CK	DEPARTMENTS	78 TRUCK	BOOK 70
		6-77		ORIGINAL RELEASE	Y 2000				TITLE RADIATOR SUB-ASM. TO FRAME L. H.	
									NAME RADIATOR MOUNTING	DIVISION/UPC 13B
										SHEET 2

-
-
-
-
-

I T E M	PART OR TOOL DESCRIPTION	ADD'L DATA	Q T Y	PART NUMBER	ENGINE CODES	SERIES	REV OR SPK	ITEM RESTRICTION	DEPARTMENTS		CHANGE		LOGIC CODE	FUNCTION CODE	ADDITIO COD	IA	LINE NOS
									#1	2/STA	CD	AUTH					
AAG	CLG SYSTEM			18450					0752								1.8
AA02014	RAD COOLANT INK			15717					0752								1.10
AA02024	& HOSE ROUTING								0752								1.11
AA03014	CLG SYS LAYOUT			12774					0752								1.1
0010AA	SUPPORT RAD LWR		1	691084					0752	69		0000690140					1.23
0020AA	SUPPORT RAD UPR		1	689878					0752	69		0000690145					1.25
0030AA	BRACKET SUPY		1	2008184					0752	69		0000690150					1.27
0040AA	BRACKET SUPY		1	691087					0752	69		0000690155					1.29
0050AA	BOLT BRKT RAD		4	9418961					0752	69							1.31
0050AB	2530 FT LBS								0752	69							1.32
0060AA	WASHER BOLT		6	103321					0752	69							1.34
0070AA	BOLT		4	180122					0752	69							1.36
0080AA	WASHER BOLT		4	138489					0752	69							1.38
0090AA	NUT 15120 FT LBS		4	9422271					0752	69							1.40
0100AA	PAD RAD KEY		4	3901449					0752	69		0000690160					1.42
0110AA	SEAL RAD UPR		2	391294					0752	69		0000690165					1.44
0120AA	CEMENT		*	9981098					0752	69							1.46

1 2 3 4 5 6 7 8 9 10 11 12 13 14 15 16 17 18 19 20 21 22 23 24 25 26 27 28 29 30 31 32 33 34 35 36 37 38 39 40 41 42 43 44 45 46 47 48 49 50 51 52 53 54 55 56 57 58 59 60 61 62 63 64 65 66 67 68 69 70 71 72 73 74 75 76 77 78 79 80 81 82 83 84 85 86 87 88 89 90 91 92 93 94 95 96 97 98 99 100	ZE0500C										MODEL YEAR 1978						
											ORIGIN DATE 770802						
											LAST CHG. DATE						
											LAST CHG. CODE						
										7C 13B A 1							
										OR U. P. C. ORP PAGE							
REFERENCE										MODEL APPLICATION RADIATOR MOUNTING PARTS UPC DESCRIPTION							

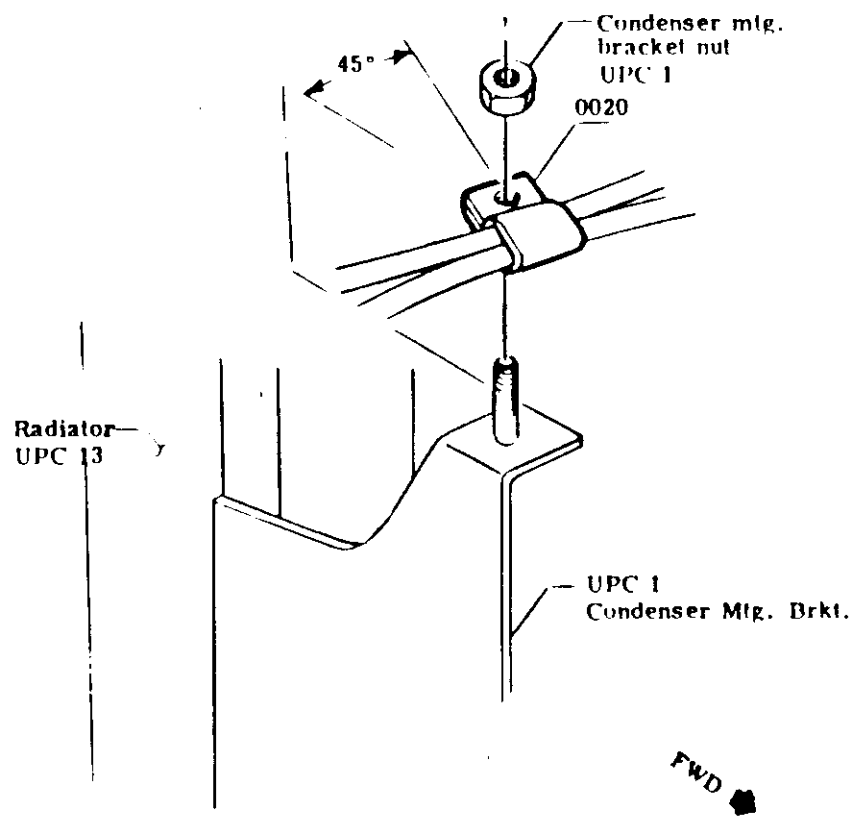
IT	PART OR TOOL DESCRIPTION	ADD L DATA	QTY	PART NUMBER	ENGINE CODES	SERIES	RDY BRK	ITEM RESTRICTION	DEPARTMENTS		CHANGE CD	LOGIC AUTM	LOGIC CODE	FUNCTION CODE	ADDITN CODE	A	LINE NOS
									#1	2 STA							
AAD	GRILLE			L2974					0754								1.8
0010AM	GRILLE ASM RAD		1	691620					0754	9d			0600900070				1.2
0020AM	WASHER		6	3790662					0754	9d							1.2
0030AM	WU1		6	3759924					0754	9d							1.2

1 2 3 4 5 F.M.V.S.S.	7E05C00	MODEL YEAR 1978
	MODEL APPLICATION	ORIGIN DATE 770802
	RADIATOR GRILLE & DEFLECTORS	LAST CHG DATE
REFERENCE	UPC DESCRIPTION	LAST CHG CODE
		70 13L A 1
		BK U P C GRP PAGE

ITEM NUMBER	DESCRIPTION	UNIT	QTY	DATE	BY	REVISION	APPROVED	DATE	BY	REVISION	APPROVED	DATE	BY
2016954	SHROUD ASM FAN		1										
2015039	SOLE FAN SHROUD		4										
1694253	SOLE FAN SHROUD		4										

1		27 05 000	MODEL YEAR 70
2			ORIGIN DATE 170102
3			PAST CHG DATE 171008
4			PAST CHG CODE 61390
5			70 10E A 1
	REFERENCE	MODEL APPLICATION RADIATOR SHROUD UPC DESCRIPTION	BR U P C GRP PAGE

GMT 922 1-73



VIEW C

From Sht. #1

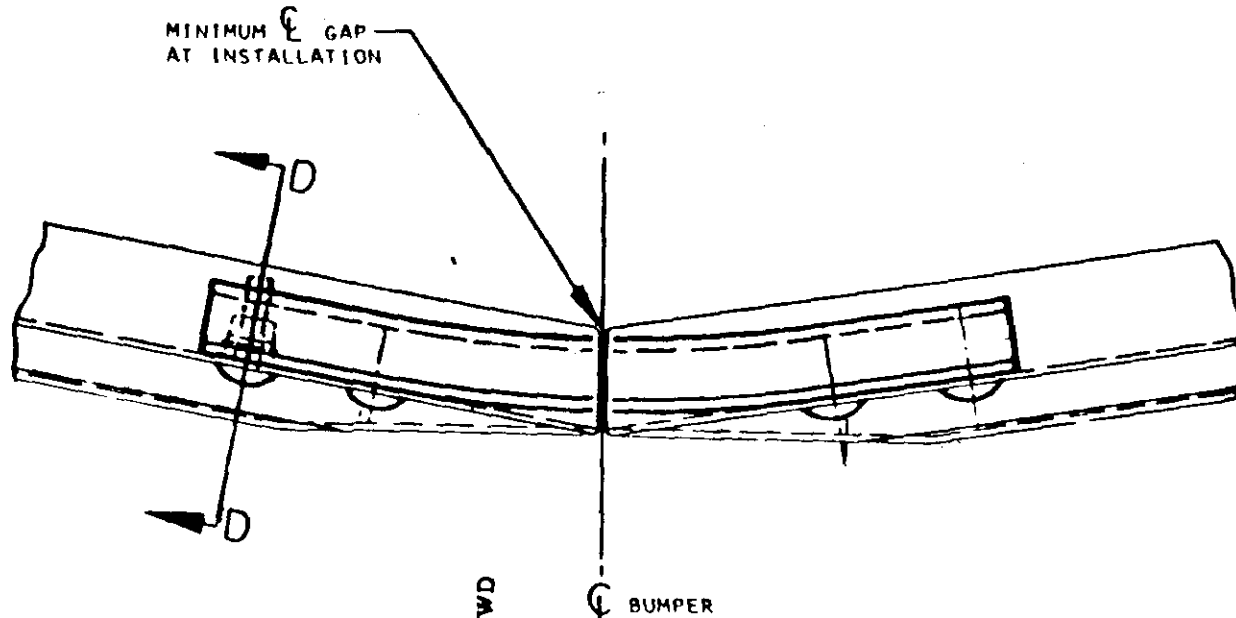
DYNAMIC (Installation) - LBS	RAND (Inspection) - LBS	DATE	SYM	REVISION	AUTH	DR	CK	DEPARTMENTS	978 TRUCK BOOK 70	
		6.27		ORIGINAL RELEASE	41000				TITLE HOSE ROUTING - COOLANT TANK	
									NAME SURGE TANK	DIVISION 13G
										SHEET 2

- ⚠
- ⚠
- ⚠
- ⚠
- ⚠

P.M.	PART OR TOOL DESCRIPTION	ADD'L DATA	QTY	PART NUMBER	ENGINE CODES	SERIES	REV	ITEM RESTRICTION	DEPARTMENT		CHANGE		LOGIC CODE	FUNCTION CODE	ADJ. COUPTS	FNA	LINE NOS
									BT	2-91A	CD	AUTH					
AA01014	COOLING SYSTEM			LB450					0754								1.0
AA02014	COOLING SYSTEM			LB450					0752								1.1
GG10AA	HOSE SURGE			R31067				58.00 IN PER VEHICLE	0752	69							1.18
UG20AA	CLIP		2	651978					0754	87		0000870140					1.20
0030AA	CLIP		1	3786278					0752	69		0000690175					1.22
0040AA	CLIP		1	652035					0752	69		0000690180					1.24
0070AA	CLIP		1	687417					0752	69		0000690185					1.26
0080AA	BOLT		1	9418822					0752	69							1.28
0080AB	25:30 FT LBS								0752	69							1.29
0090AA	WASHER		2	2436163					0752	69							1.31
0100AA	WA LK		1	103321					0752	69							1.33
0110AA	HS SRGE TK INL			3941341				33.00 IN PER VEHICLE	0752	69							1.35
0120AA	HS RECOVERY			3754097				8.00 IN PER VEHICLE	0752	69							1.37
0130AA	CLAMP		2	3786278					0754	87		0000870145					1.39

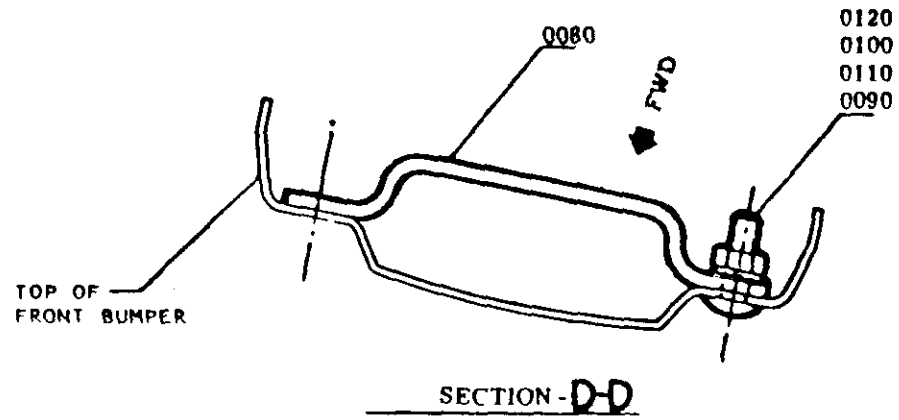
1 2 3 4 5 6 7 8 9 10 11 12 13 14 15 16 17 18 19 20 21 22 23 24 25 26 27 28 29 30 31 32 33 34 35 36 37 38 39 40 41 42 43 44 45 46 47 48 49 50	REFERENCE		ZE05000		MODEL APPLICATION SURGE TANK		MODEL YEAR 1978	
	REFERENCE				UPC DESCRIPTION		ORIGIN DATE 77C802	
	REFERENCE						LAST CHG DATE	
	REFERENCE						LAST CHG CODE	
REFERENCE						70 136 A 1		
REFERENCE						DR. U. P. C. 697 PAGE		

GMT 922 1-73



FWD
↓

VIEW B
PLAN VIEW
From sheet 1



SECTION - D-D

DATE	SYN	REVISION	AUTH	DR	DEPARTMENTS	177 TRUCK		BOOK 70
6/19/71		ORIGINAL RELEASE	1270	12/71		TITLE		
						BUMPER TIE		
						NAME	DIVISION	SHEET
						FRONT BUMPER	14A1	3



ASSEMBLY INFORMATION

ITEM NO.	DESCRIPTION	QTY	UNIT	CODE	DATE	REVISION	STATUS
000000	BUMPER	1					
001000	FRONT BUMPER	2		102569			
002000	WASHER ASM FRONT BPR	2		2023729			
003000	BRKT FRONT BPR	2		2023729			
004000	BRKT FRONT BPR	2		2023730			
005000	BOLT	12		9424069			
006000	WASHER	24		3693853			
007000	NUT 35:45 FT #	12		9422299			
008000	EAR	1		100145			
009000	BOLT	16		121807			
010000	WASHER	16		103321			
011000	WA LR	16		9421042			
012000	NUT 12:16 FT #	16		9437798			

L

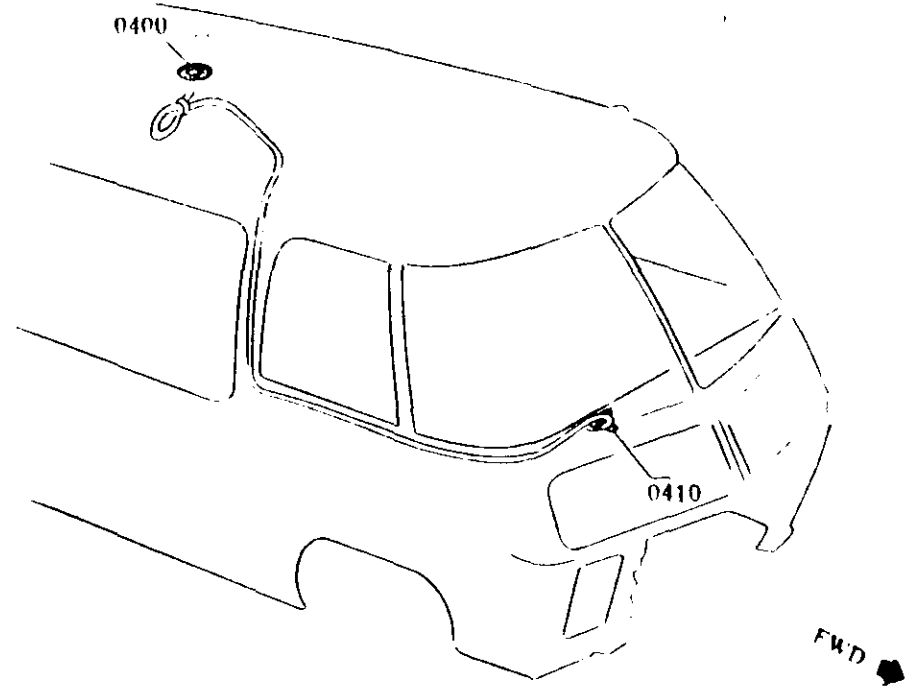
ASSEMBLY INFORMATION

QTY	PART DESCRIPTION	UNIT	QTY	UNIT	QTY	UNIT	QTY	UNIT	QTY	UNIT	QTY	UNIT	QTY	UNIT	QTY	UNIT	QTY	UNIT
	REAR BUMPER		1	9070														
	LEAF SPRING PK		2	9020														
	LEAF SPRING BR		2	9021														
	BOLT		16	942066														
	WASHER		2	967355														
	NUT 3/4-16 FT		12	942229														
	BAR FACE		2	702565														
	BAR FACE TIE		1	700500														
	BOLT		16	121801														
	WASHER		16	942104														
	WALK		16	103321														
	NUT 1/2-16 FT		16	943779														

1		2105000	MODEL YEAR IS 76
2			ORIGIN DATE 770803
3			LAST CHG DATE 771008
4			LAST CHG CODE 01390
5			70 14x A 1
6			OR U P C DRP PAGE
7			
8			
9			
10			
11			
12			
13			
14			
15			
16			
17			
18			
19			
20			
21			
22			
23			
24			
25			
26			
27			
28			
29			
30			
31			
32			
33			
34			
35			
36			
37			
38			
39			
40			
41			
42			
43			
44			
45			
46			
47			
48			
49			
50			

MODEL APPLICATION
 REAR BUMPER
 SUPPLEMENT

GMT 922 1 75



DYNAMIC (Installation) LBS	HAND Inspection LBS	DATE	SYM	REVISION	AUTH	DR	LR	DEPARTMENTS	'78 TRUCK ' BOOK 70		
				ORIGINAL DESIGN					SEALER & TAPE LOCATION (CB ANTENNA)		
									MISC. LUB SEALER & GASOLINE	DIVISION/UPC 14B	SHEET 8

- ▲
- ▲
- ▲
- ▲

PRODUCT DESCRIPTION MANUAL
ASSEMBLY INFORMATION

GMT 1061 REV 5-75

GENC TRUCK & COACH

ITEM	QTY	PART OR TOOL DESCRIPTION	ADD'L DATA	QTY	PART NUMBER	ENGINE CODES	SERIES	BODY	ITEM RESTRICTION	DEPARTMENTS		CHANGE CD	AUTH	LOGIC CODE	FUNCTION CODE	ADDITIONAL CODES	LINE NOS
										41	DATA						
AA01014		SEALING L/O			L8700						0782						1.8
AA02014		LUB CHT INSTL			M010298						0782						1.1
AA03014		RF BOW CVR INSTL			L8722						0782						1.1
AA04014		SANITARY & FRESH			L7095			81			0782						1.15
AA04024		WAT PLUMB INSTL									0782						1.15
AA05014		C/B ANT INSTL &			L8934				UB4		0782						1.10
AA05024		GRILL INSTR									0782						1.15
AA07014		LUB CHT INSTL			M010298						0752						1.2
AA08014		RF BOW CVR INSTL			L8722						0752						1.25
AA09014		SANITARY & FRESH			L7095			81			0752						1.25
AA09024		WAT PLUMB INSTL									0752						1.25
AA11014		SEALING L/O			L8700						0704						1.28
AA12014		LUB CHT INSTL			M010298						0704						1.30
AA13014		RF BOW CVR INSTL			L8722						0704						1.32
AA14014		SANITARY & FRESH			L7095			81			0704						1.34
AA14024		WAT PLUMB INSTL									0704						1.35
AA15014		C/B ANT INSTL &			L8934				UB4		0704						1.37
AA15024		GRILL INSTR									0704						1.38
AA16014		SEALING L/O			L8700						0702						1.40
AA17014		LUB CHT INSTL			M010298						0702						1.42
AA18014		RF BOW CVR INSTL			L8722						0702						1.44
AA19014		SANITARY & FRESH			L7095			81			0702						1.46
AA19024		WAT PLUMB INSTL									0702						1.47
AA20014		C/B ANT INSTL &			L8934				UB4		0702						1.48
AA20024		GRILL INSTR									0702						1.50

ZE05000

MODEL YEAR 1978
ORIGIN DATE 770803
LAST CHG DATE 770929
LAST CHG CODE 60626

MODEL APPLICATION
MISC LUBRICANTS, SEALERS & GASOLINE

70 148 A 1

BK V. P. C. DRP PAGE

F M V S S

REFERENCE

UPC DESCRIPTION

PLANT	DESCRIPTION	QTY	PART NUMBER	ENGINE CODES	SECT	PROJ	ITEM DESCRIPTION	DEPARTMENT	QTY	PLANT	PLANT	PLANT	PLANT	PLANT	PLANT
AA2004	WALING L/U	*	LB700					0705							1.54
AA2004	LUB CHT INSTL	*	M010298					0705							1.54
AA2004	RF BUM CVR INSTL	*	LB722					0705							1.54
AA2004	SANITARY & FRESH WAI PLUMB INSTL	*	L7095			81		0705							1.54
AA2004	L/D ANT INSTL & DRILL INSTR	*	LB934			084		0705							2.2
								0705							2.3
LU1004	GAS LUM LEAD	*	9935087				10 GAL PER VEHICLE	0752	100						2.10
LU2004	GREASE CHAS LUB	*	9985009				1 LB PER VEHICLE	0752	68						2.14
LU2004	GREASE ELEC CONM	*	9985208					0752	68						2.14
LU2004	LMPD CORRUSION	*	8860775				1 GAL PER VEHICLE	0704	16						2.18
LU2004	SEAL BODY & DA	*	8861489				83.00 OZ PER VEHICLE	0704	16	25456					2.18
LU2004	SEALER, HORN GRUP	*	9980638				1 OZ	0782	38	25456			02748		2.20
LU2004	SEAL BK JAMB	*	8861013				25 OZ PER VEHICLE	0702	3						2.22
LU2004	TAPE W/M BODY	*	8861094				40 FT PER VEHICLE	0704	8						2.24
LU2004	TAPE RR INTR	*	8861004					0704	4						2.26
LU2004	SEAL WDU FRT PLK	*	8861013				25 OZ PER VEHICLE	0782	43						2.28
LU2004	TAPE PLK/WDU	Z	2002097					0782	43						2.30
LU2004	TAPE MLDG FOAM	*	8861204		65		424.68 IN PER VEHICLE	0704	16	60626					2.32
LU2004	TAPE MLDG FOAM	*	8861204		60		350.68 IN PER VEHICLE	0704	16	60626					2.34
LU2004	TAPE RF CAP	*	8860661				11 IN. IN 2 PLACES	0704	4						2.35
LU2004	FOAM BODY	*	R37391					0705	18						2.36
LU2004	SEALER BODY	*	R35174				3 OZ PER VEHICLE	0704	16						2.37
LU2004	SEALER BODY	*	RH35766				3 OZ PER JOB	0782	42						2.41

2E05000										MODEL YEAR 1978					
										ORIGIN DATE 770803					
										LAST CHG DATE 771006					
										LAST CHG CODE 25456					
REFERENCE										70 14B A 2					
MODEL APPLICATION										BK W. P. C. 97 PAGE					
MISC LUBRICANTS, SEALERS & GASOLINE															
UPC DESCRIPTION															

ITEM	QTY	PART OR TOOL DESCRIPTION	APPL DATA	QTY	PART NUMBER	ENGINE CODES	SERIES	HOW SUPPL	ITEM DESCRIPTION	DEPARTMENT		QUANTITY	LOG CODE	FUNCTION CODE	ADDITIONAL NOTES	REF	QTY
										#	DATA						
U100AA		SEALER BODY			* 8861445				11 OZ PER VEHICLE	0704	14						2.4
U110AA		SEALER BODY			* 8861733				8 OZ PER VEHICLE	0705	22						2.4
U120AA		SEALER BODY			* 8861587				2 OZ PER VEHICLE	0782	49						2.4
U210AA		SEALER BODY			* 9030664				1 OZ PER VEHICLE	0782	49						2.4
U220AA		SEALER BODY			* 9980638				14 OZ PER VEHICLE	0782	43	25458					2.5
U230AA		SEALER BODY			* 9985270				12 OZ PER VEHICLE	0782	56						2.5
U300AA		INSUL URN TRAP			* 2003560			VNWB01/VNWB10		0705	18						2.5
U310AA		ADHESIVE URN TRP			* RH31164			VNWB01/VNWB10		0704	8						2.5
U400AA		SEALER C/B ANT			* 8861484			U84		0782	39						2.5
U410AA		TAPE			* R35416			U84		0782	39						3.2
U420AA		SEALER RF & SJ			* 8861733				12 OZ PER VEHICLE	0702	7						3.4
U430AA		SEALER RF VENT			* 8861013				.50 OZ PER VEHICLE	0702	7						3.6
U440AA		SEALER A WDU			* 8861013				1.00 OZ PER VEHICLE	0782	47						3.8
U450AA		SEALER A WDU			* R 35174				.25 OZ PER VEHICLE	0702	47						3.10
U460AA		SEALER LR RAIN CP			* 8861733				1.25 OZ PER VEHICLE	0702	6						3.1
U220AA		SEALER BODY			* 9981435				5 OZ PER VEHICLE	0782	53	25458					3.1

MODEL APPLICATION MISC LUBRICANTS, SEALERS & GASOLINE UFG DESCRIPTION	ZE0500G	MODEL YEAR 1978 ORIGIN DATE 770803 LAST CHG DATE 771006 LAST CHG CODE 25458
	REFERENCE	70 148 A 3 BK V. P. C. 9PP PAGE



PRODUCT DESCRIPTION MANUAL

ASSEMBLY INFORMATION

GMT 1081 REV 5/75

GM TRUCK & COACH

ITEM	QTY	PART OR TOOL DESCRIPTION	ADDL DATA	QTY	PART NUMBER	ENGINE CODES	SERIES	REV	ITEM RESTRICTION	DEPARTMENT		CHARGE	COST	UNIT	EXTENSION	ADDITIONAL CODES	UNIT PRICE
										81	82A						
AA01014	1	LIC PLT INST			L3443					0782							1.8
AA04014	1	RR ACC DR			L3856					0782							1.10
AA01014	1	LIC PLT INST			L3443					0752							1.14
0010AA	2	SCREW LIC MTG			9416844					0752	80						1.20
0020AA	2	NUT LIC PLT			3907444					0752	80						1.24
0030AA	2	NUT LIC PLT			3907444					0782	38						1.24
0040AA	1	BUMPER RR LIC			3924813					0782	38		0000380180				1.26
0050AA	2	SCREW			9416844					0782	38						1.24

1 2 3 4 5 6 7 8 9 10 11 12 13 14 15 16 17 18 19 20 21 22 23 24 25 26 27 28 29 30 31 32 33 34 35 36 37 38 39 40 41 42 43 44 45 46 47 48 49 50 51 52 53 54 55 56 57 58 59 60 61 62 63 64 65 66 67 68 69 70 71 72 73 74 75 76 77 78 79 80 81 82 83 84 85 86 87 88 89 90 91 92 93 94 95 96 97 98 99 100	REFERENCE										ZE05000				MODEL YEAR 1978 ORIGIN DATE 770803 LAST CHG. DATE 770929 LAST CHG. CODE 70 14C A 1 BK V. P. C. OMP PAGE			
	MODEL APPLICATION LICENSE CARRIERS										UPC DESCRIPTION							
	F M V B S																	

PRODUCT DESCRIPTION MANUAL

ASSEMBLY INFORMATION

DMT 1081 REV 8/78

EMER TRUCK & COACH

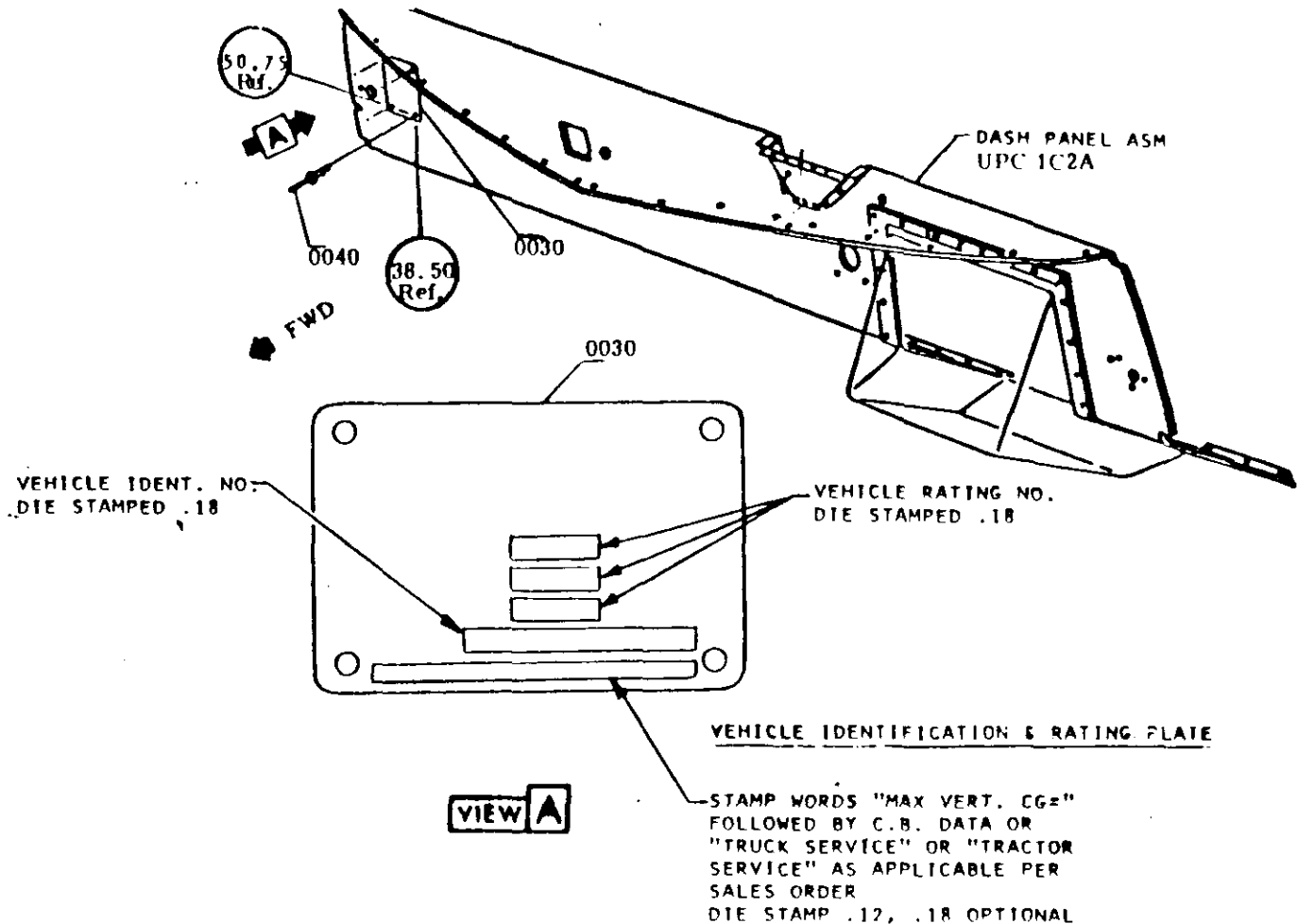
ITEM	QTY	PART OR TOOL DESCRIPTION	ADD'L DATA	QTY	PART NUMBER	ENGINE CODES	SERIES	BOX/STK	ITEM RESTRICTION	DEPARTMENTS		CHANGE CD	ALPH	LOGIC CODE	FUNCTION CODE	ADDITIONAL CODES	TNA	LINE NOS
										#1	#2/STA							
0010AA		WRENCH WHEEL		1	706744					0758	100			0000	105035		M	1.8
0020AA		JACK ASM HYD		1	796122					0758	100			0000	105040		M	1.10
0030AA		CHAIN ASM JACK		1	707481					0758	100			0000	105045		M	1.12
0040AA		PAD HYD JACK		1	702560					0758	100			0000	105060		M	1.14
0050AA		HANDLE HYD JACK		1	3883156					0758	100			0000	105065		M	1.16
0060AA		PAG TOOL STORAGE		1	703470					0758	100			0000	105070		M	1.18
0070AA		HAND TOOLS KIT		1	2029946			T58		0758	100			3477	105075		M	1.20

1 2 3 4	7E05000										MODEL YEAR IS 78							
	MODEL APPLICATION										ORIGIN DATE							
	TOOL COMPARTMENT & KIT										LAST CHG DATE							
UPC DESCRIPTION										LAST CHG CODE								
REFERENCE										70 14E A 1								
F.M.V.S.S.										OR U.P.C. 898 PAGE								



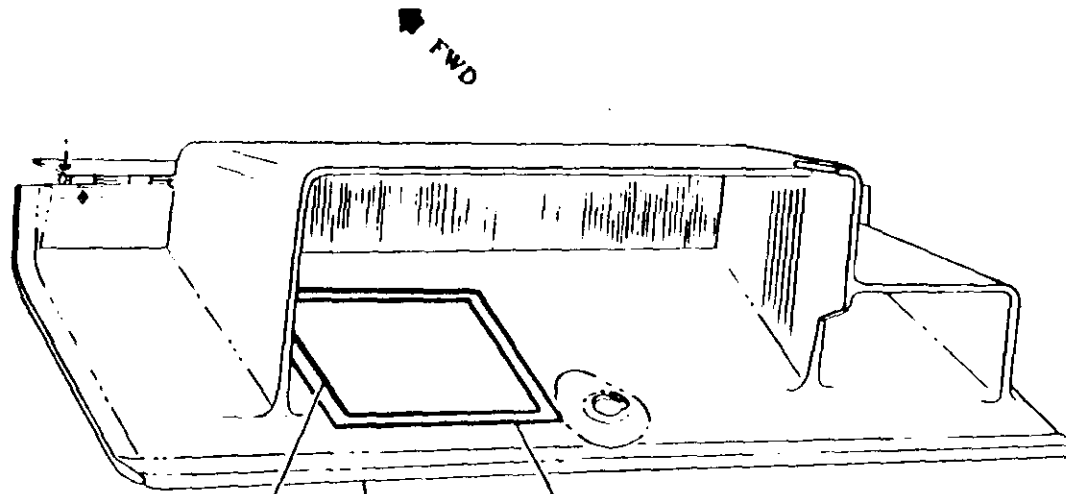
□ ITEM REFERENCE ◇ PROCESS MATERIAL △ TORQUE ▣ PART OF OR EXISTING

GMT 922 1-73



BY (Drawn) (Inspector) - LPS	DATE	SYD	REVISION	AUTH	DR	CR	DEPARTMENTS	BOOK
▲ ▲ ▲ ▲	8-2-73		ORIGINAL RELEASE					'78 TRUCK BOOK 70
								TITLE VEHICLE IDENT. & RATING PLATE
								PLATE CAR # I.D. DIVISION SHEET PLATES & COMPL. ITEMS 14F 1

GMT 922 1/75

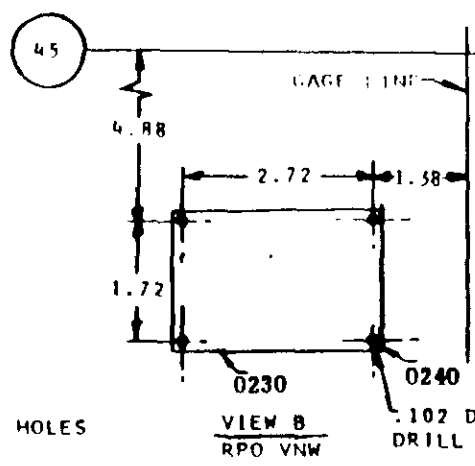
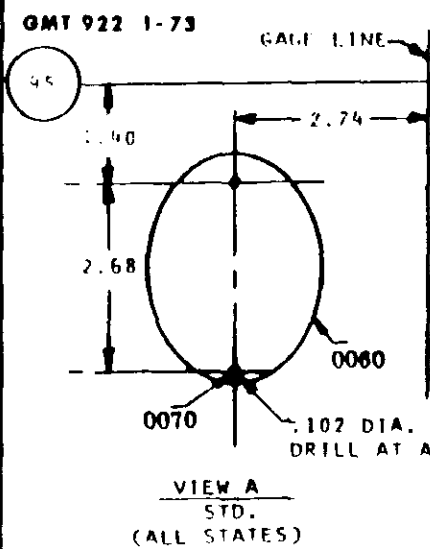


NOTE

SURFACE PREPARATION:
Solvent Wipe Finish
Painted Surfaces With
Dupont's #3319 Prepsol
or Equivalent Prior To
Installation of Decals
or Labels

BY (Install) - 185	DATE	SYM	REVISION	AUTH	DR	CR	DEPARTMENTS	TRUCK	BOOK
△ △ △ △	4-21-75		ORIGINAL RELEASE	47CR6			GRIFIN	'75	70
								TITLE	
								SERVICE PARTS I.D. LABELS	
								MAKE CAR	
								I.D. PLATES COMPL. ITEMS	DIVISION/UPC 14F UNIT 4

□ ITEM REFERENCE ◇ PROCESS MATERIAL △ TORQUE ▣ PART OF OR EXISTING



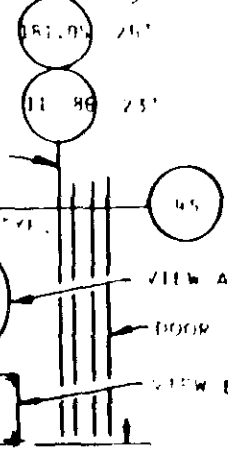
IF MORE THAN ONE STATE CERTIFICATION INSIGNIA IS REQ'D. USE THESE LOCATIONS.

◆ FWD

LOWER EDGE OF RUBBER RAIL MOLDING

See View F Sheet 10

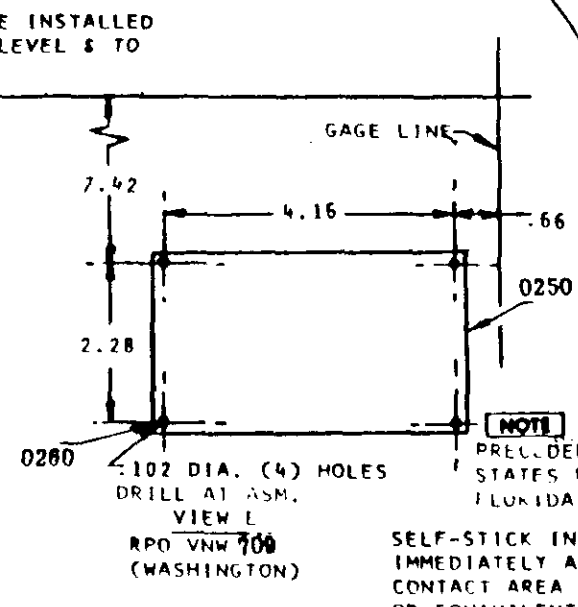
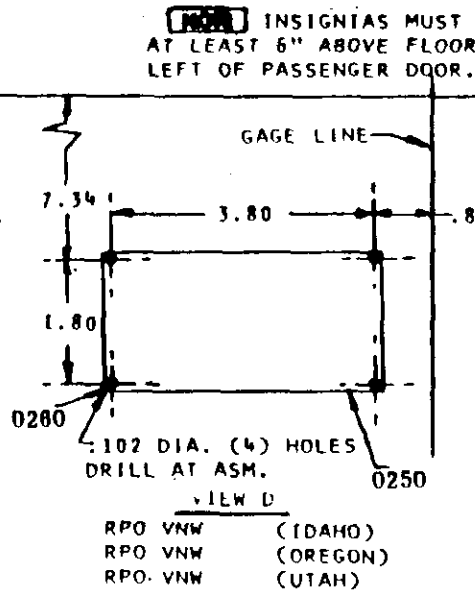
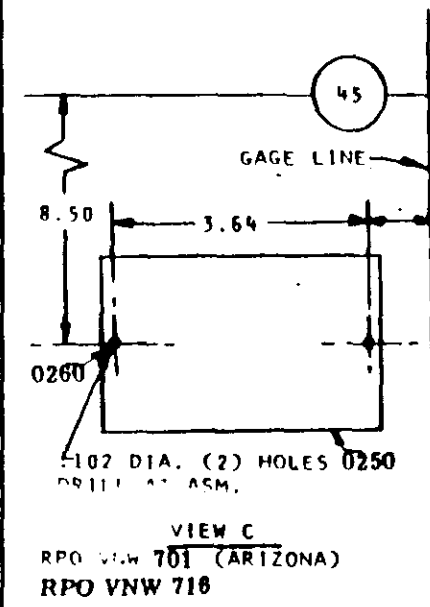
GAGE LINE
Edge of Door Jam



USE THIS DISTANCE FOR ALL SELFSTICK STATE CERTIF INSIGNIAS ITEM 0250

NOTE All Dimensions are Reference only.

NOTE INSIGNIAS MUST BE INSTALLED AT LEAST 6" ABOVE FLOOR LEVEL & TO LEFT OF PASSENGER DOOR.

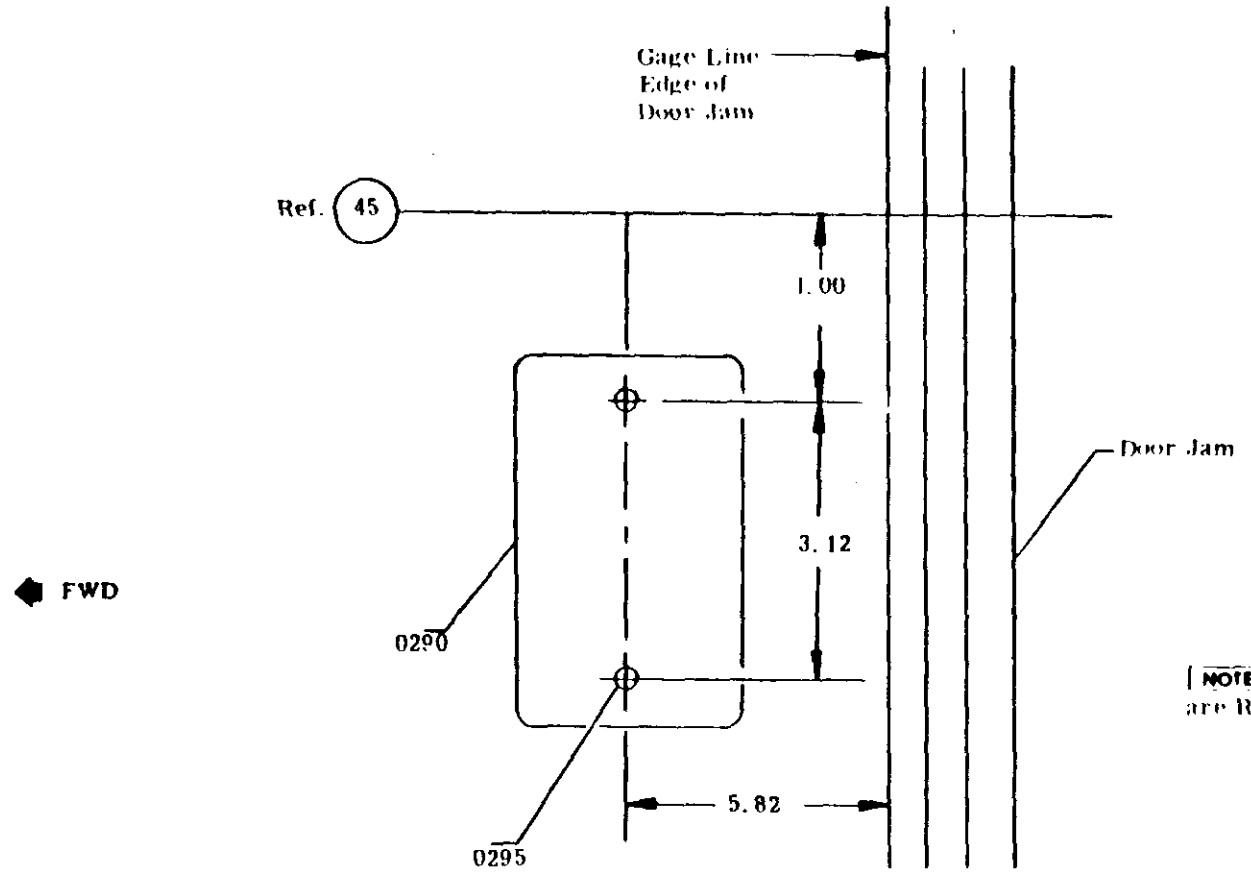


NOTE STATE SERIAL NO. SHOULD BE PRECEDED WITH THE LETTER "S" IN ALL STATES REQUIRING VNW ISSUES EXCEPT FLORIDA & UTAH.

SELF-STICK INSIGNIAS SHOULD BE APPLIED IMMEDIATELY AFTER SOLVENT WIPING THE CONTACT AREA WITH DUPONT'S PRESOL 3919 OR EQUIVALENT.

BY (Installation) - (LS)	DATE	SYN	REVISION	ANTR	DR	CR	DEPARTMENTS	TITLE
	2-27-77		ORIGINAL RELEASE	47000			SCARFFIN	78 TRUCK BOOK 70
								STATE CERTIFICATION INSIGNIA RPO VNW
								CAR # LD PLATES & COMPL. ITEMS
								DIVISION 14F SHEET 9

GMT 4



[NOTE] All Dimensions are Reference only.

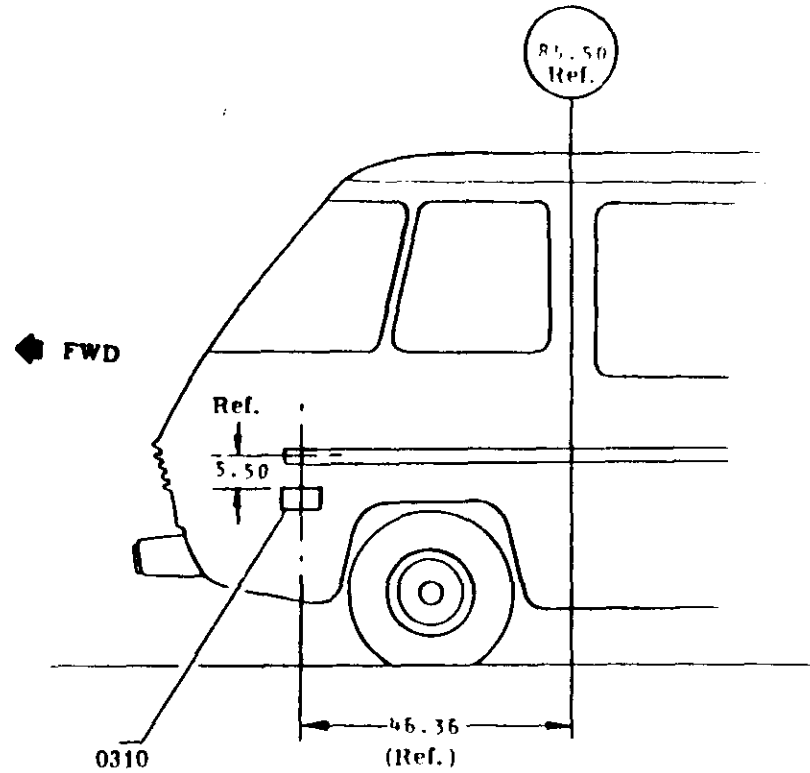
VIEW F
From Sheet 9

- RPO VNW 710 (KANSAS)
- RPO VNW 711 (MISSOURI)
- RPO VNW 712 (OHIO)
- RPO VNW 713 (NEBRASKA)
- RPO VNW 714 (MONTANA)

DYNAMIC (Installation) - LBS	STATIC (Inspection) - LBS	DATE	SYM	REVISION	AUTH	DR	EX	DEPARTMENTS
		1/1/78		ORIGINAL RELEASE	4/1/78			

'78 TRUCK		BOOK 70
STATE CERTIFICATE INSIGNIA RPO VNW		
VEHICLE I.D. PLATES & COMPL. ITEMS	DIVISION/UPC 14F	SHEET 10

GMT 922 1/75



SYMBOL (Installation) - LBS	NAWD (Inspection) - LBS	DATE	SYM	REVISION	AUTH	DR	CR	DEPARTMENTS
		2-9-75		ORIGINAL RELEASE				

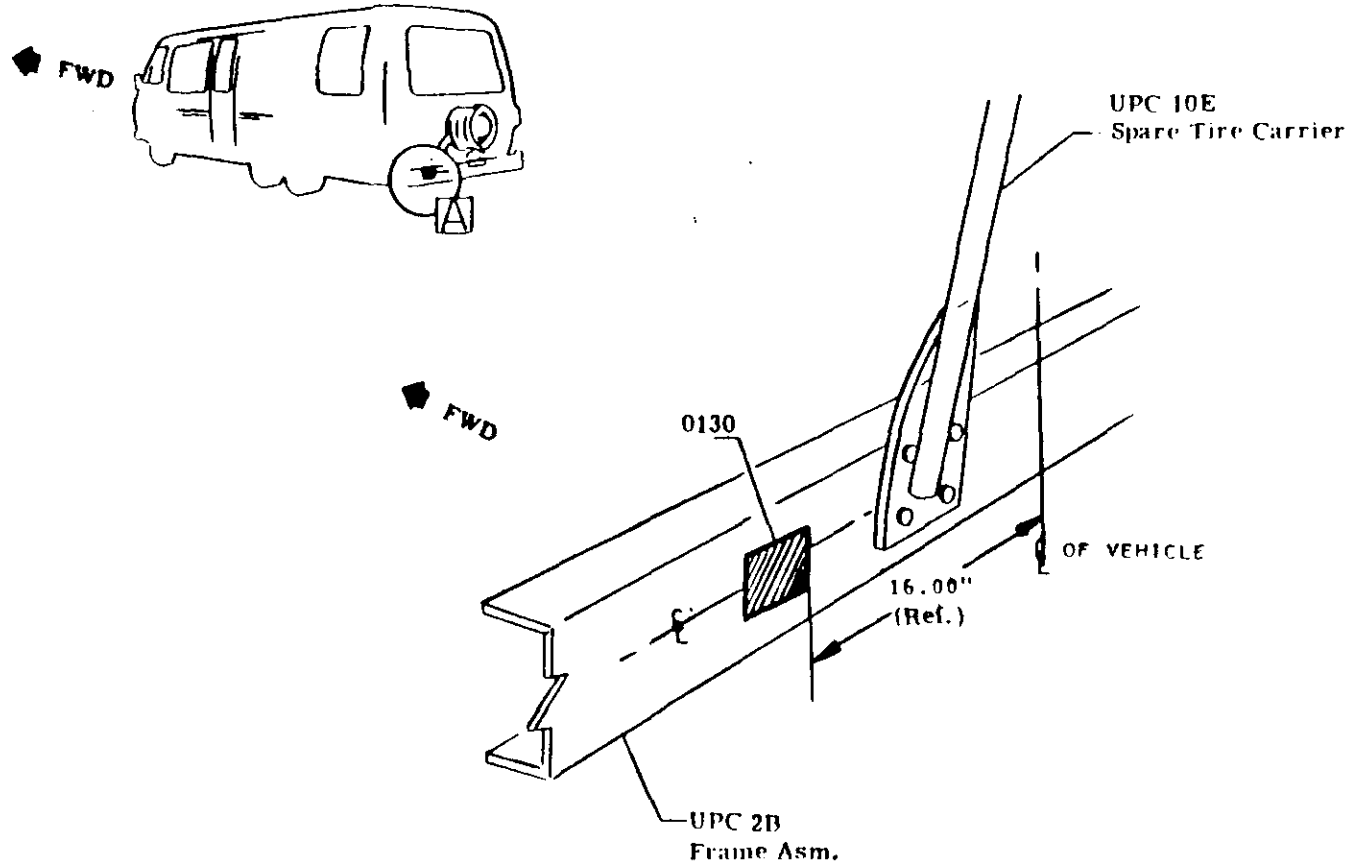
78 TRUCK **BOOK 70**

STATE CERTIFICATION INSIGNIA
(CALIFORNIA) RPO VNW

CAR I.D. VISION TYPE REF.

PLATES & **14F** **11**
COMPL. ITEMS

GMT 922 1/75



VIEW A

BYMARK (Inspection) - LBS	FRND (Inspection) - LBS	DATE	SYM	REVISION	AMT	DR	EN	DEPARTMENTS	'78 TRUCK	BOOK 70
		2-9-77		ORIGINAL RELEASE					TITLE	
									DECAL-HOLDING TANK DISCHARGE TUBE	
									CAR # I. D.	
									PLATES & COMPL. ITEMS	
									DIVISION/UPC	
									14F	13

PRODUCT DESCRIPTION MANUAL

ASSEMBLY INFORMATION

GMT 1081 REV. 5/78

GM TRUCK & COACH

ITEM	QTY	PART OR TOOL DESCRIPTION	ADD'L DATA	QTY	PART NUMBER	ENGINE CODES	SERIES	NOV	ITEM RESTRICTION	DEPARTMENTS		CHANGE CO	LOGIC AUTH	LOGIC CODE	FUNCTION CODE	ADDITIONAL CODES	FNA	LINE NOS
										BT	Z-STA							
AA01014		VEH IDENT NO		*	MD12400					0786								1.8
AA01024		RATING PLT INST								0786								1.9
AA02014		VEH IDENT NO		*	L4635					0786								1.11
AA02024		RATING PLT INST								0786								1.12
AA03014		CERTIFICATION		*	L4971				R1STD/VNWR01 THRU VNWR11	0786								1.14
AA03024		PLATE								0786								1.15
AA04014		STATE CERTIFICA-		*	MD11049				R1STD/VNW	0786								1.17
AA04024		TION INSIGNIA								0786								1.18
AA04034		PLATE INSTL &								0786								1.19
AA04044		DRILL								0786								1.20
AA05014		HOLDING TANK		*	MD12901			81		0786								1.22
AA05024		DISCHARGE LCC								0786								1.23
AA05034		DECAL								0786								1.24
AA06014		EXH EMIS LABEL		*	L4205				VJ9	0786								1.27
AA07014		WER DATA PLY		*	L4124				VNWR10/VNWR11/VNWR12/VNWR13/ VNWR14	0786								1.28
AA07024		INSTL								0786								1.29
AA08014		OHIO DATA PLY		*	L7198				VNWR12	0786								1.31
AA09014		PENN BRK AREA		*	MD14318				VXD	0786								1.33
AA09024		DATA CHT								0786								1.34
AA10014		VIN & RATING PLY		*	MD12400					0786								1.36
AA11014		OHIO DATA PLY		*	L7298					0786								1.38
AA12014		CERT LABEL		*	MD15858					0786								1.40
AA13014		VEH IDENT NO		*	MD12400					0784								1.42
AA13024		RATING PLT INST								0784								1.43
AA14014		VEH IDENT NO		*	L4635					0784								1.45
AA14024		RATING PLT INST								0784								1.46
AA15014		CERTIFICATION		*	L4971				R1STD/VNWR01 THRU VNWR11	0784								1.48
AA15024		PLATE								0784								1.49
AA16014		STATE CERTIFICA-		*	MD11049				R1STD/VNW	0784								1.51
AA16024		TION INSIGNIA								0784								1.52
AA16034		PLATE INSTL &								0784								1.53
AA16044		DRILL								0784								1.54

1 2 3 4 5	ZEO5000										MODEL YEAR 1978								
											ORIGIN DATE 770804								
											LAST CHG DATE								
											LAST CHG CODE								
F.M.V.S.S. REFERENCE										MODEL APPLICATION									
										CAR NUMBERS, IDENT PLATES & COMPLIANCE ITEMS									
										UPC DESCRIPTION									
										70 14F A 1									
										BK V. P. G. 997 PAGE									

ITEM	PART OR TOOL DESCRIPTION	ADD L DATA	QTY	PART NUMBER	ENGINE CODES	SERIES	BODY	ITEM RESTRICTION	DEPARTMENTS	CHANGE AUTH	LOGIC CODE	FUNCTION CODE	ADDITION CODES	LINE NOS
AA17014	HOLDING TANK			MD12900			81		0784					1.56
AA17024	DISCHARGE LOC								0784					1.57
AA17034	DECAL								0784					1.58
AA18014	EXH EMIS LABEL			LR205			VJ9		0784					2.1
AA19014	MFR DATA PLY			L8128			VNW810/VNW811/VNW812/VNW813/ VNW814		0784					2.3
AA19024	INSTL								0784					2.4
AA20014	OHIO DATA PLY			L7198			VNW812		0784					2.6
AA21014	PENN BRK AREA			MD14318			VXD		0784					2.8
AA21024	DATA CHT								0784					2.9
AA22014	VIN & RATING PLY			MD12400					0784					2.11
AA23014	OHIO DATA PLY			L7298					0784					2.13
AA24014	CERT LABEL			MD15858					0784					2.15
AA25014	VEH IDENT NO			MD12400					0782					2.17
AA25024	RATING PLY INST								0782					2.18
AA26014	VEH IDENT NO			L4634					0782					2.20
AA26024	RATING PLY INST								0782					2.21
AA27014	CERTIFICATION			L4971			R1STD/VNWR01 THRU VNWR 811		0782					2.23
AA27024	PLATE								0782					2.24
AA28014	STATE CERTIFICA-			MD11049			P1STD/VNWR		0782					2.26
AA28024	TION INSIGNIA								0782					2.27
AA28034	PLATE INSTL &								0782					2.28
AA28044	DRILL								0782					2.29
AA29014	HOLDING TANK			MD12900			81		0782					2.31
AA29024	DISCHARGE LOC								0782					2.32
AA29034	DECAL								0782					2.33
AA30014	EXH ERIS LABEL			LR205			VJ9		0782					2.35
AA31014	MFR DATA PLY			L8128			VNW810/VNW811/VNW812/VNWR 13/ VNW814		0782					2.37
AA31024	INSTL								0782					2.38
AA32014	OHIO DATA PLY			L7198			VNW812		0782					2.40
AA33014	PENN BRK AREA			MD14318			VXD		0782					2.42
AA33024	DATA CHT								0782					2.43
AA34014	VIN & RATING PLY			MD12400					0782					2.45

1 2 3 4 5 F.M.V.S.S.	REFERENCE	ZF05000	MODEL YEAR 1978
			ORIGIN DATE 770804
			LAST CHG DATE
			LAST CHG CODE
		MODEL APPLICATION	70 14F A 2
		CAR NUMBERS, IDENT PLATES & COMPLIANCE ITEMS	BR U. P. C. GMF PA08
		UPC DESCRIPTION	



PRODUCT DESCRIPTION MANUAL
ASSEMBLY INFORMATION

GMT 1061 REV. 5/78

GEN. TRUCK & COACH

ITEM NO.	PART OR TOOL DESCRIPTION	ADD'L DATA	QTY	PART NUMBER	ENGINE CODES	SERIES	BODY STYL	ITEM RESTRICTION	DEPARTMENTS		CHANGE		LOGIC CODE	FUNCTION CODE	ADDITIONAL CODES	LINE NO.
									81	201A	201	AUTH				
AA35014	OHIO DATA PLT			L7298					0782							2.47
AA35014	CERT LABEL			MD15858					0782							2.49
AA37014	VEH IDENT NO			MD12400					0754							2.51
AA37024	RATING PLY INST								0754							2.52
AA38014	VEH IDENT NO			L4635					0758							2.54
AA38024	RATING PLY INST								0758							2.55
AA39014	CERTIFICATION			L4971				81STD/VNWB01 THRU VNW 811	0758							2.57
AA39024	PLATE								0758							2.58
AA40014	STATE CERTIFICA-			MD11049				81STD/VNW	0758							3.1
AA40024	TION INSIGNIA								0758							3.2
AA40034	PLATE INSTL G								0758							3.3
AA40044	DRILL								0758							3.4
AA41014	HOLDING TANK			MD12907				81	0758							3.6
AA41024	DISCHARGE LOC								0758							3.7
AA41034	DECAL								0758							3.8
AA42014	EXH EMIS LABEL			L8205				VJ9	0758							3.10
AA43014	MFR DATA PLT			L8128				VNWB10/VNWB11/VNWB12/VNWB13/ VNWB14	0758							3.12
AA43024	INSTL								0758							3.13
AA44014	OHIO DATA PLT			L7198				VNWB12	0758							3.15
AA45014	PCPN BRK AREA			MD14318				VXD	0758							3.17
AA45024	DATA CH1							VXD	0758							3.18
AA46014	VIN G RATING PLY			MD12400					0758							3.20
AA47014	OHIO DATA PLT			L7298					0758							3.22
AA48014	CERT LABEL			MD15858					0758							3.24
AA49014	VEH IDENT NO			MD12400					0752							3.26
AA49024	RATING PLY INST								0752							3.27
AA50014	VEH IDENT NO			L4635					0752							3.29
AA50024	RATING PLY INST								0752							3.30
AA51014	CERTIFICATION			L4971				81STD/VNWB01 THRU VNW 811	0752							3.32
AA51024	PLATE								0752							3.33

1 2 3 4 5	ZED5000										MODEL YEAR IS 78					
	REFERENCE										ORIGIN DATE 770804					
MODEL APPLICATION										LAST CHG. DATE 770929						
CAR NUMBERS, IDENT PLATES & COMPLIANCE ITEMS										LAST CHG. CODE						
UPC DESCRIPTION										70 14F A 3						
P.M.V.88										DE V. P. C. 89F PAGE						



PRODUCT DESCRIPTION MANUAL

ASSEMBLY INFORMATION

GMF 1061 REV 5/75

GMF TRUCK & COACH

ITEM	QTY	PART OR TOOL DESCRIPTION	ADD'L DATA	QTY	PART NUMBER	ENGINE CODES	SERIES	BODY	ITEM RESTRICTION	DEPARTMENT #1	DEPARTMENT #2	CHARGE CO.	ALPH	LOGIC CODE	FUNCTION CODE	ADDITIONAL CODES	PKT	LINE NOS
0260AA 0260AB		SCREW SEAL SCREW SEAL		2 4	9426363 9426363				VNW801/VNW816 VNW804/VNW806/VNW808/VNW809	0758 0758	100 100							5.19 5.20
0290AA 0290AB		PLT STATE CERT		1	2008676				VNW810/VNW811/VNW812/VNW813/ VNW814	0758 0758	100 100			1160105180		M		5.24 5.25
0295AA 0295AB		RIVET PLATE		2	742864				VNW810/VNW811/VNW812/VNW813/ VNW814	0758 0758	100 100							5.25 5.26
0310AA		PLT CALIF CERT		1	2001042				VNW802	0758	100			0480105185		M		5.26
0320AA		PLATE MFR DATA		1	2008680				VNW810/VNW811/VNW812/VNW813	0758	100			1159105190		M		5.29 5.30
0330AA		PLT OHIO DATA		1	2015865				VNW812	0758	100			1141105195		M		5.32
0340AA		INSL SHWR DRN		1	2003560				VNW801/VNW810	0758	100			1158105200		M		5.34
0350AA		ADHESIVE DRN TRP		*	RH31164				VNW801/VNW810	0758	100							5.36
0360AA		EXP I.D. LABEL		1	9428351				2x3	0758	100			0477105205		M		5.38
0370AA		EXP I.D. TAG		3	3838488				2x3	0758	100			0477105210		M		5.40

1 2 3 4 5 6 7 8 9 10 11 12 13 14 15 16 17 18 19 20 21 22 23 24 25 26 27 28 29 30 31 32 33 34 35 36 37 38 39 40 41 42 43 44 45 46 47 48 49 50 51 52 53 54 55 56 57 58 59 60 61 62 63 64 65 66 67 68 69 70 71 72 73 74 75 76 77 78 79 80 81 82 83 84 85 86 87 88 89 90 91 92 93 94 95 96 97 98 99 100 101 102 103 104 105 106 107 108 109 110 111 112 113 114 115 116 117 118 119 120 121 122 123 124 125 126 127 128 129 130 131 132 133 134 135 136 137 138 139 140 141 142 143 144 145 146 147 148 149 150 151 152 153 154 155 156 157 158 159 160 161 162 163 164 165 166 167 168 169 170 171 172 173 174 175 176 177 178 179 180 181 182 183 184 185 186 187 188 189 190 191 192 193 194 195 196 197 198 199 200 201 202 203 204 205 206 207 208 209 210 211 212 213 214 215 216 217 218 219 220 221 222 223 224 225 226 227 228 229 230 231 232 233 234 235 236 237 238 239 240 241 242 243 244 245 246 247 248 249 250 251 252 253 254 255 256 257 258 259 260 261 262 263 264 265 266 267 268 269 270 271 272 273 274 275 276 277 278 279 280 281 282 283 284 285 286 287 288 289 290 291 292 293 294 295 296 297 298 299 300 301 302 303 304 305 306 307 308 309 310 311 312 313 314 315 316 317 318 319 320 321 322 323 324 325 326 327 328 329 330 331 332 333 334 335 336 337 338 339 340 341 342 343 344 345 346 347 348 349 350 351 352 353 354 355 356 357 358 359 360 361 362 363 364 365 366 367 368 369 370 371 372 373 374 375 376 377 378 379 380 381 382 383 384 385 386 387 388 389 390 391 392 393 394 395 396 397 398 399 400 401 402 403 404 405 406 407 408 409 410 411 412 413 414 415 416 417 418 419 420 421 422 423 424 425 426 427 428 429 430 431 432 433 434 435 436 437 438 439 440 441 442 443 444 445 446 447 448 449 450 451 452 453 454 455 456 457 458 459 460 461 462 463 464 465 466 467 468 469 470 471 472 473 474 475 476 477 478 479 480 481 482 483 484 485 486 487 488 489 490 491 492 493 494 495 496 497 498 499 500 501 502 503 504 505 506 507 508 509 510 511 512 513 514 515 516 517 518 519 520 521 522 523 524 525 526 527 528 529 530 531 532 533 534 535 536 537 538 539 540 541 542 543 544 545 546 547 548 549 550 551 552 553 554 555 556 557 558 559 560 561 562 563 564 565 566 567 568 569 570 571 572 573 574 575 576 577 578 579 580 581 582 583 584 585 586 587 588 589 590 591 592 593 594 595 596 597 598 599 600 601 602 603 604 605 606 607 608 609 610 611 612 613 614 615 616 617 618 619 620 621 622 623 624 625 626 627 628 629 630 631 632 633 634 635 636 637 638 639 640 641 642 643 644 645 646 647 648 649 650 651 652 653 654 655 656 657 658 659 660 661 662 663 664 665 666 667 668 669 670 671 672 673 674 675 676 677 678 679 680 681 682 683 684 685 686 687 688 689 690 691 692 693 694 695 696 697 698 699 700 701 702 703 704 705 706 707 708 709 710 711 712 713 714 715 716 717 718 719 720 721 722 723 724 725 726 727 728 729 730 731 732 733 734 735 736 737 738 739 740 741 742 743 744 745 746 747 748 749 750 751 752 753 754 755 756 757 758 759 760 761 762 763 764 765 766 767 768 769 770 771 772 773 774 775 776 777 778 779 780 781 782 783 784 785 786 787 788 789 790 791 792 793 794 795 796 797 798 799 800 801 802 803 804 805 806 807 808 809 810 811 812 813 814 815 816 817 818 819 820 821 822 823 824 825 826 827 828 829 830 831 832 833 834 835 836 837 838 839 840 841 842 843 844 845 846 847 848 849 850 851 852 853 854 855 856 857 858 859 860 861 862 863 864 865 866 867 868 869 870 871 872 873 874 875 876 877 878 879 880 881 882 883 884 885 886 887 888 889 890 891 892 893 894 895 896 897 898 899 900 901 902 903 904 905 906 907 908 909 910 911 912 913 914 915 916 917 918 919 920 921 922 923 924 925 926 927 928 929 930 931 932 933 934 935 936 937 938 939 940 941 942 943 944 945 946 947 948 949 950 951 952 953 954 955 956 957 958 959 960 961 962 963 964 965 966 967 968 969 970 971 972 973 974 975 976 977 978 979 980 981 982 983 984 985 986 987 988 989 990 991 992 993 994 995 996 997 998 999 1000	REFERENCE	ZE05000 MODEL APPLICATION CAR NUMBERS, IDENT PLATES & COMPLIANCE ITEMS UPC DESCRIPTION	MODEL YEAR 1978 ORIGIN DATE 770804 LAST CHG DATE 770929 LAST CHG CODE 70 14F A 6 BK V. P. G. OF PAGE
---	-----------	---	---

