

NOTICE:

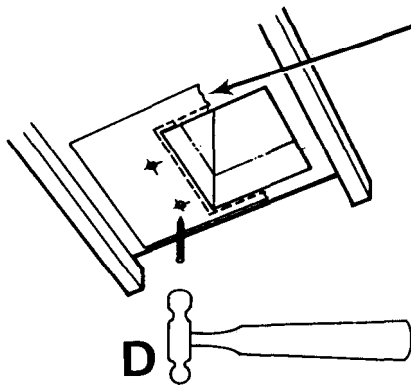
Earlier production air conditioner models were manufactured for use with a heat kit with different mounting requirements and do not have the mounting holes for this kit. If the mounting holes are not pre-punched, you must use the enclosed template to locate them for drilling.

WARNING:

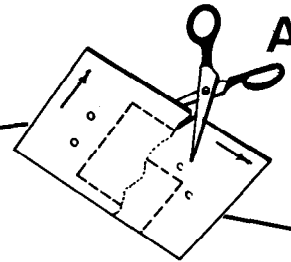
PROPER LOCATION IS NECESSARY FOR SAFE OPERATION.
DISCONNECT ELECTRIC POWER BEFORE BEGINNING THE INSTALLATION.

- A. Cut along dotted lines marking discharge duct for your model air conditioner.
- B. Peel off backing and LIGHTLY apply to ceiling template (you will remove it later). Align to the discharge duct opening as shown.

■ MODEL SERIES 60XXXX,
CAE, CAM, CAW



B

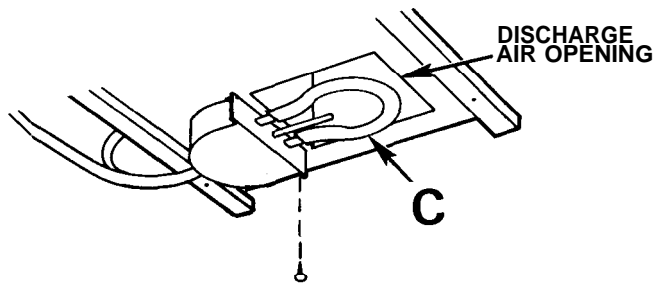


B

- C. Hold the element to mounting template and look at its placement. It should be roughly centered in discharge opening as shown.

- D. Center punch to mark the hole locations.
- E. Remove and discard the label.
- F. Drill the two 1/8" diameter mounting holes.

CAUTION: Take care not to drill through the base pan or into wires which may be routed on top of the template.



DISCHARGE
AIR OPENING

C

■ MODEL SERIES 559, 570, 579 & CAS

